



US00D751172S

(12) **United States Design Patent**  
**Bahler**

(10) **Patent No.:** **US D751,172 S**  
(45) **Date of Patent:** **\*\* Mar. 8, 2016**

(54) **SHOWERHEAD**

(56) **References Cited**

(71) Applicant: **Delta Faucet Company**, Indianapolis, IN (US)

U.S. PATENT DOCUMENTS

(72) Inventor: **Jordan Renee Bahler**, Frankfort, IN (US)

D417,716 S \* 12/1999 Warshawsky ..... D23/213  
D417,903 S \* 12/1999 Warshawsky ..... D23/213  
D418,199 S \* 12/1999 Warshawsky ..... D23/213

(73) Assignee: **DELTA FAUCET COMPANY**, Indianapolis, IN (US)

\* cited by examiner

(\*\*) Term: **14 Years**

*Primary Examiner* — Robin V Webster

(21) Appl. No.: **29/514,045**

(74) *Attorney, Agent, or Firm* — Edgar A. Zarins; Nirav D. Parikh

(22) Filed: **Jan. 8, 2015**

(57) **CLAIM**

The ornamental design for a showerhead, as shown and described.

(51) **LOC (10) Cl.** ..... **23-01**

**DESCRIPTION**

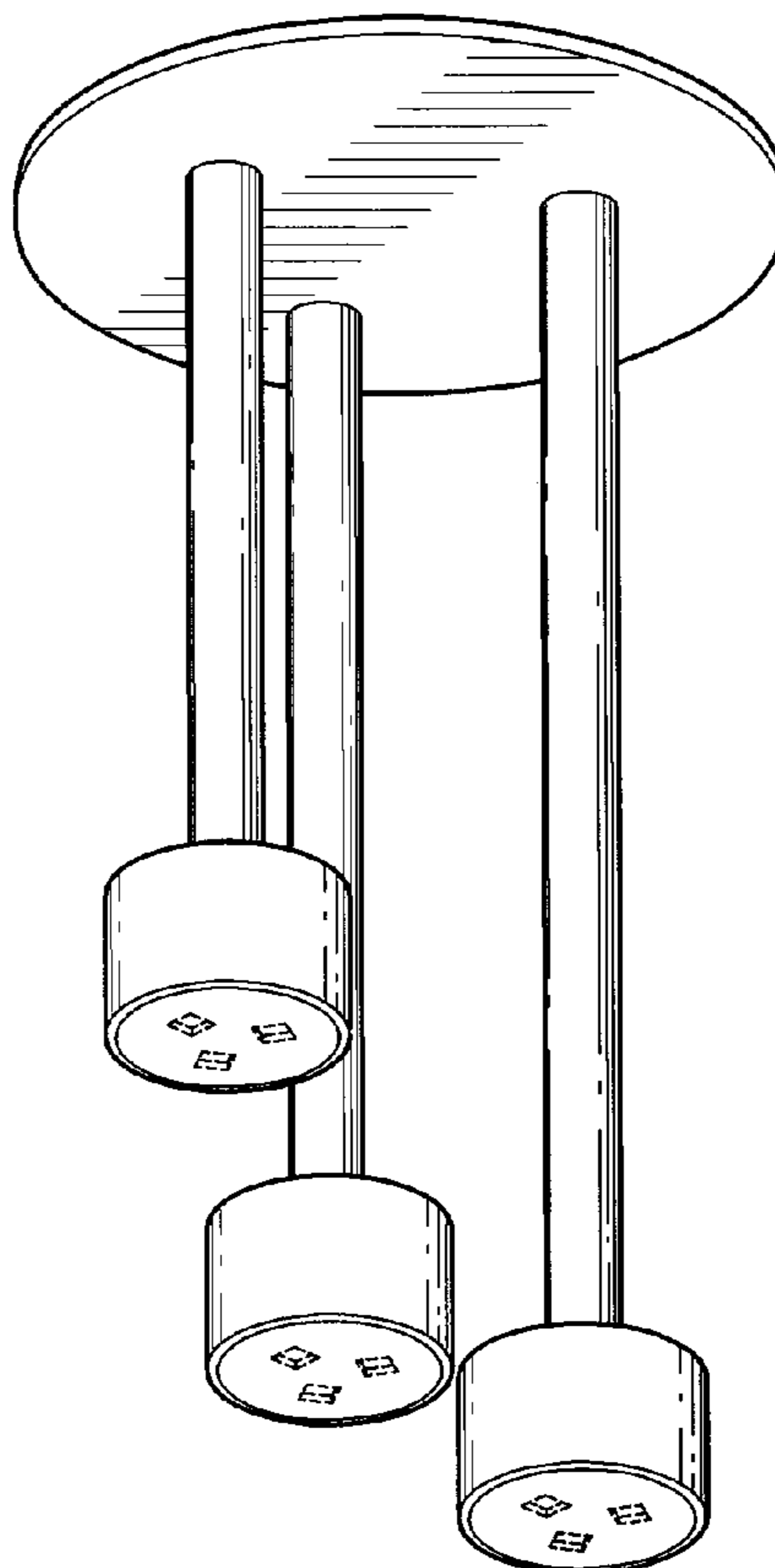
(52) **U.S. Cl.**  
USPC ..... **D23/213**

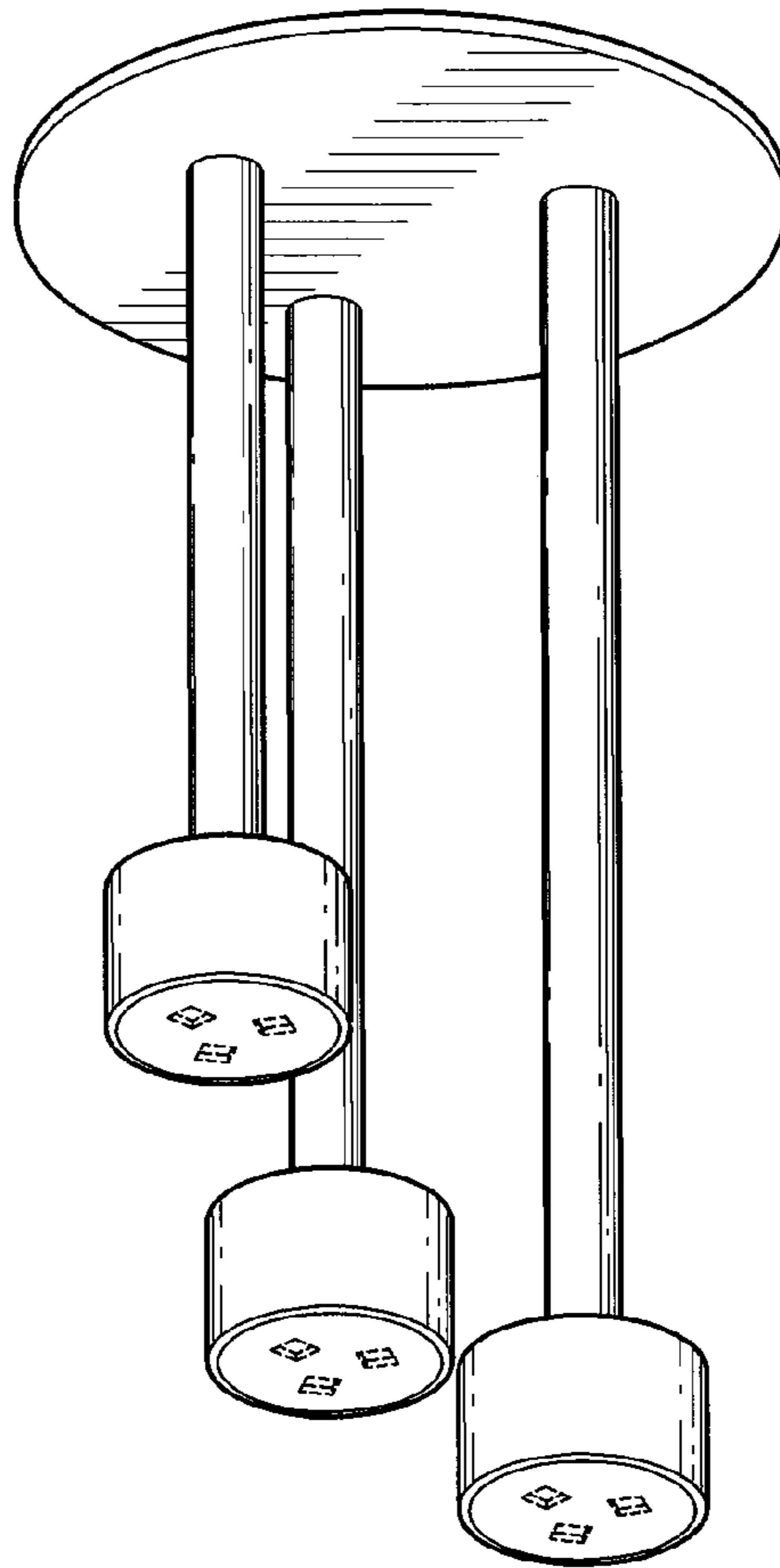
FIG. 1 is a perspective view of a showerhead showing my new design;  
FIG. 2 is a top end view thereof;  
FIG. 3 is a bottom end view thereof;  
FIG. 4 is a first side view thereof; and,  
FIG. 5 is a second side view thereof.  
The broken line showing of the water spray openings in FIGS. 1 and 3, is included for the purpose of illustrating and forms no part of the claimed design.

(58) **Field of Classification Search**  
USPC ..... D23/213, 229, 230, 201; 239/282, 283, 239/211, 587.1-587.5; 4/615  
CPC ..... B05B 1/18; B05B 1/00; B05B 15/08; B05B 3/00

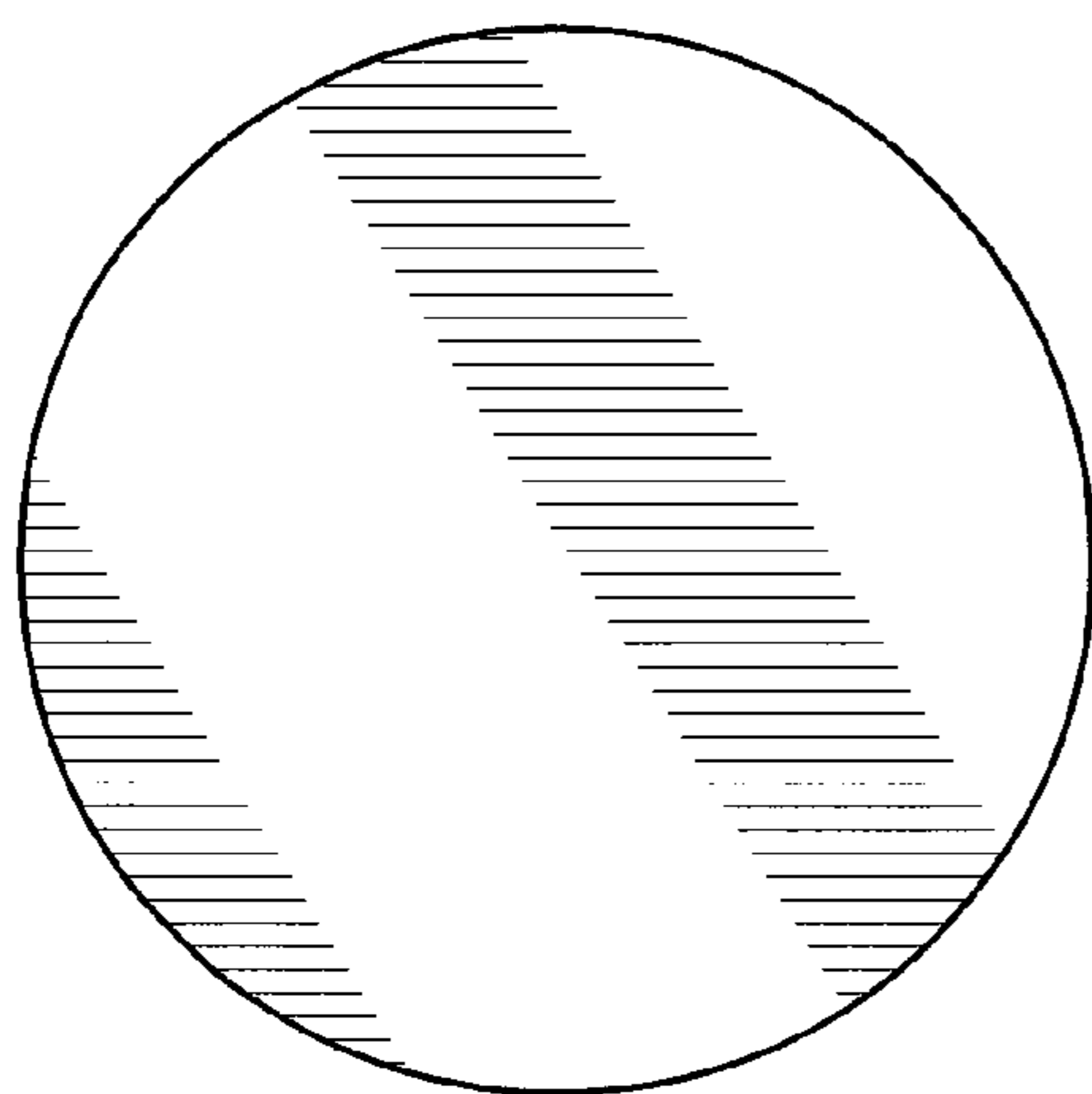
See application file for complete search history.

**1 Claim, 2 Drawing Sheets**

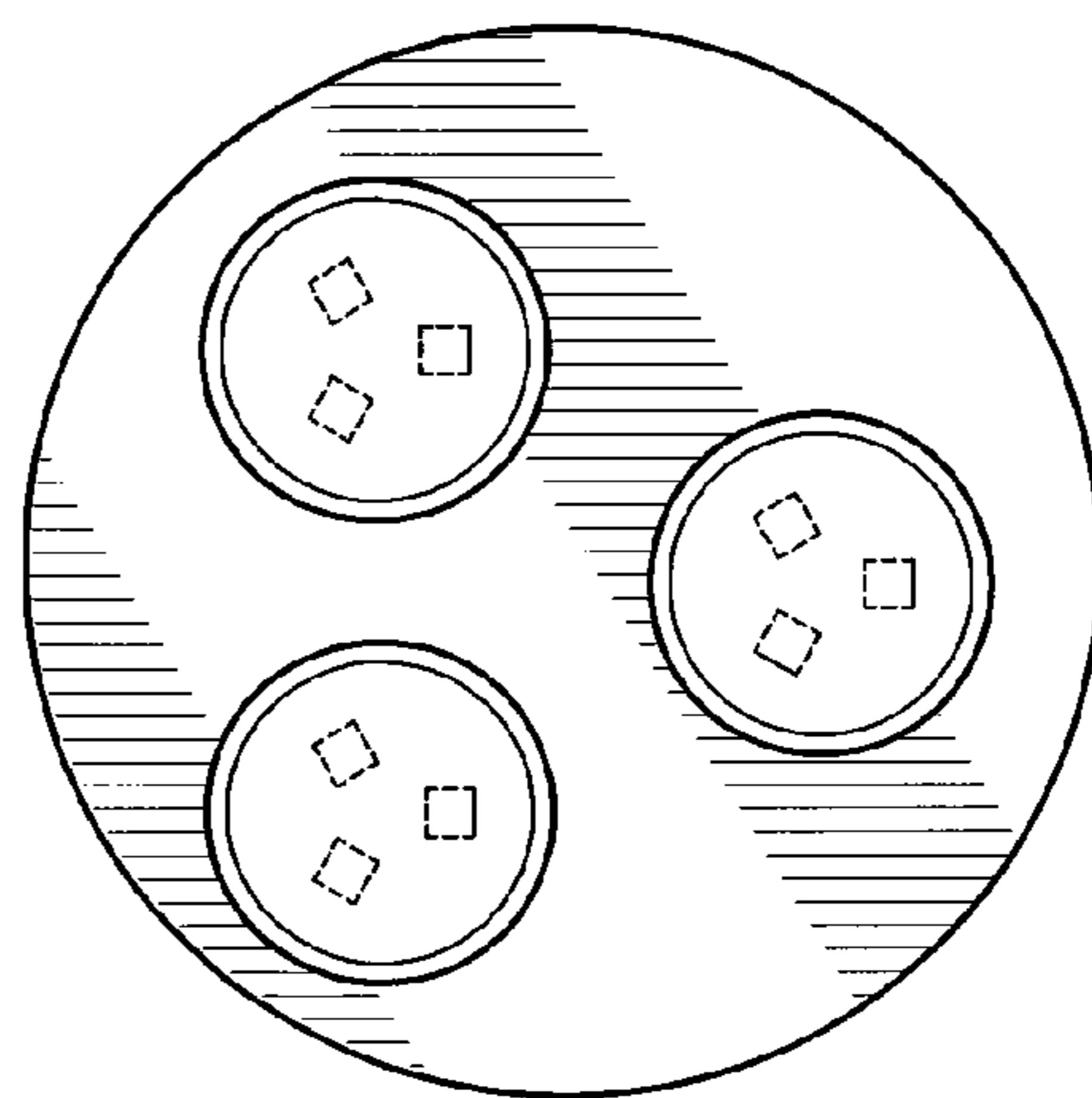




*Fig-1*



*Fig-2*



*Fig-3*

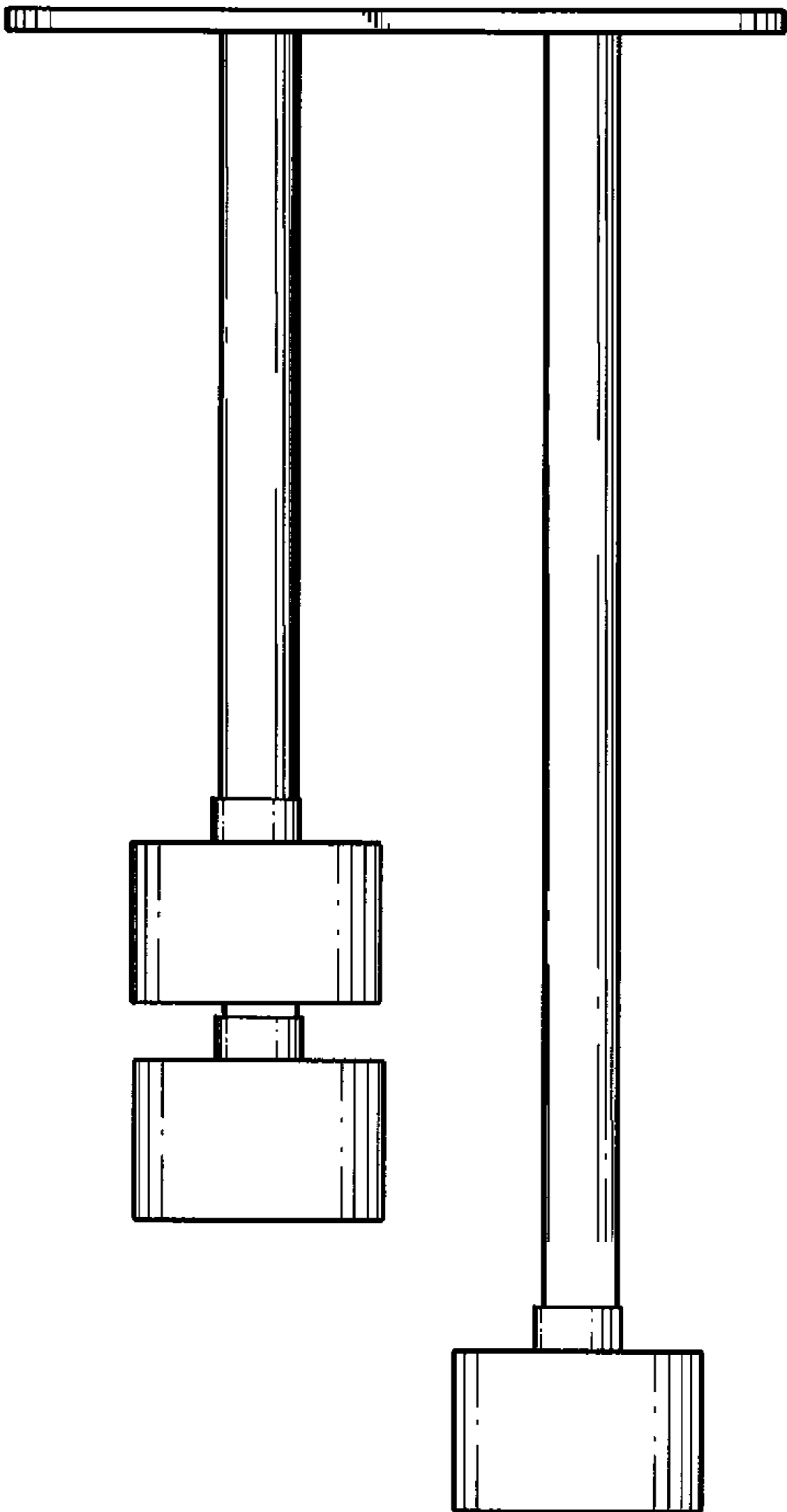


Fig-4

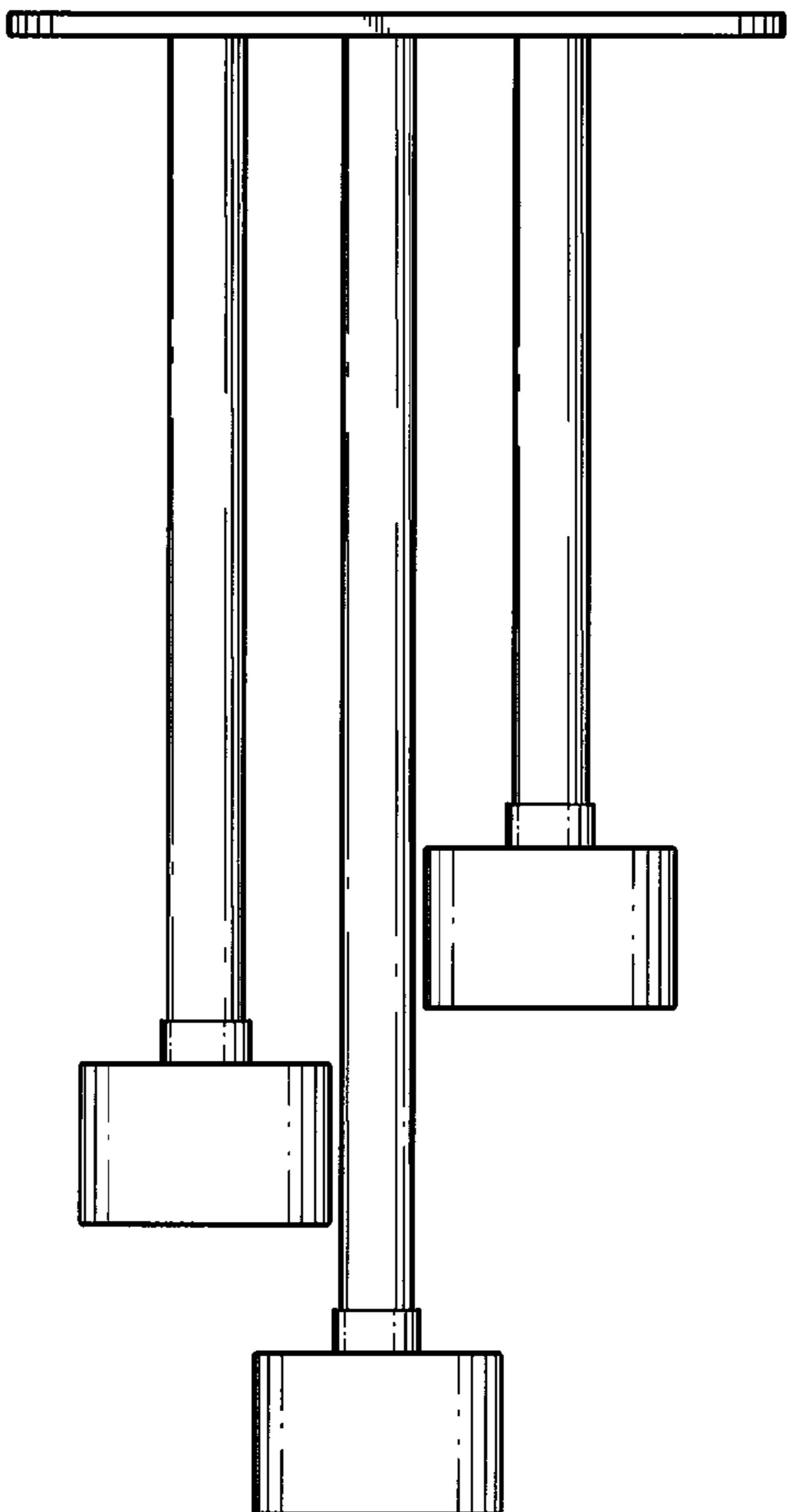


Fig-5