



US00D751169S

(12) **United States Design Patent**
Takeda et al.

(10) **Patent No.:** **US D751,169 S**
(45) **Date of Patent:** **** Mar. 8, 2016**

(54) **CARTRIDGE FOR WATER PURIFIER**

(71) Applicant: **mitsubishi rayon co., ltd.**,
Tokyo (JP)

(72) Inventors: **Hatsumi Takeda**, Aichi (JP); **Takeshi Ishikawa**, Tokyo (JP); **Tsuyoshi Doi**, Tokyo (JP); **Hua Li**, Osaka (JP)

(73) Assignee: **mitsubishi rayon co., ltd.**,
Tokyo (JP)

(**) Term: **14 Years**

(21) Appl. No.: **29/495,101**

(22) Filed: **Jun. 27, 2014**

(30) **Foreign Application Priority Data**

Dec. 27, 2013 (JP) 2013-030916

(51) **LOC (10) Cl.** **23-01**

(52) **U.S. Cl.**
USPC **D23/207**

(58) **Field of Classification Search**
USPC D23/207, 209; 210/266, 85, 232, 244,
210/464

See application file for complete search history.

(56) **References Cited**

U.S. PATENT DOCUMENTS

D325,767 S *	4/1992	Ostlund	D23/207
D357,302 S *	4/1995	Colangelo et al.	D23/207
D477,383 S *	7/2003	Desjoyaux et al.	D23/209
D501,912 S *	2/2005	Tanner et al.	D23/209
D519,186 S *	4/2006	Oranski et al.	D23/209
D561,873 S *	2/2008	Desjoyaux et al.	D23/209
D616,694 S *	6/2010	Kulikov et al.	D7/319

* cited by examiner

Primary Examiner — Robin V Webster

(74) *Attorney, Agent, or Firm* — Jianq Chyun IP Office

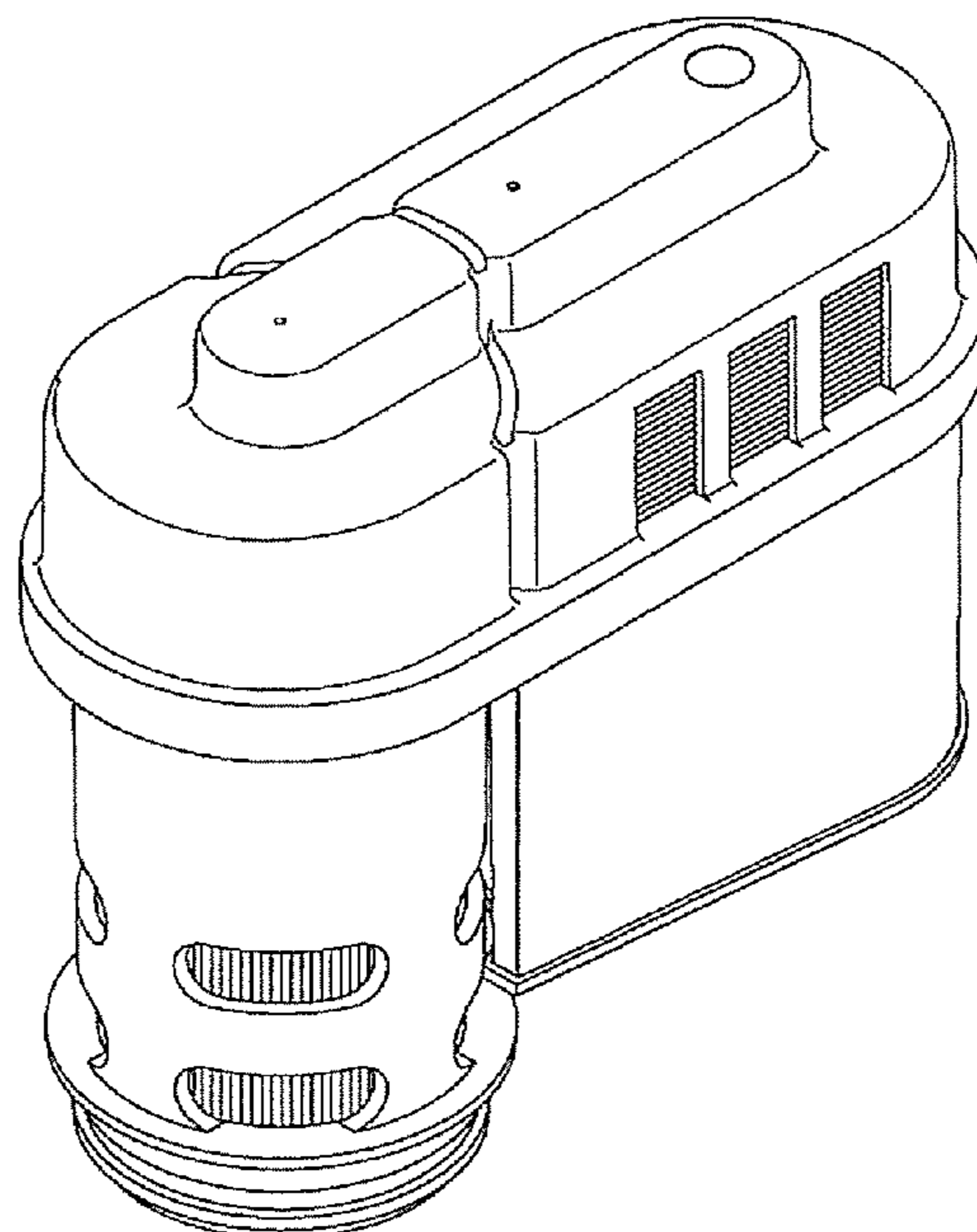
(57) **CLAIM**

The ornamental design for a cartridge for water purifier, as shown and described.

DESCRIPTION

FIG. 1 is a perspective view of a cartridge for water purifier showing our new design;
FIG. 2 is another perspective view thereof;
FIG. 3 is a front view thereof, the rear view being a mirror image of the front view;
FIG. 4 is a left side view thereof;
FIG. 5 is a right side view thereof;
FIG. 6 is a top view thereof;
FIG. 7 is a bottom view thereof; and,
FIG. 8 is a reference view thereof shown with the two filtration units in the separated state.
The broken line showing in FIG. 8 forms no part of the claimed design.

1 Claim, 6 Drawing Sheets



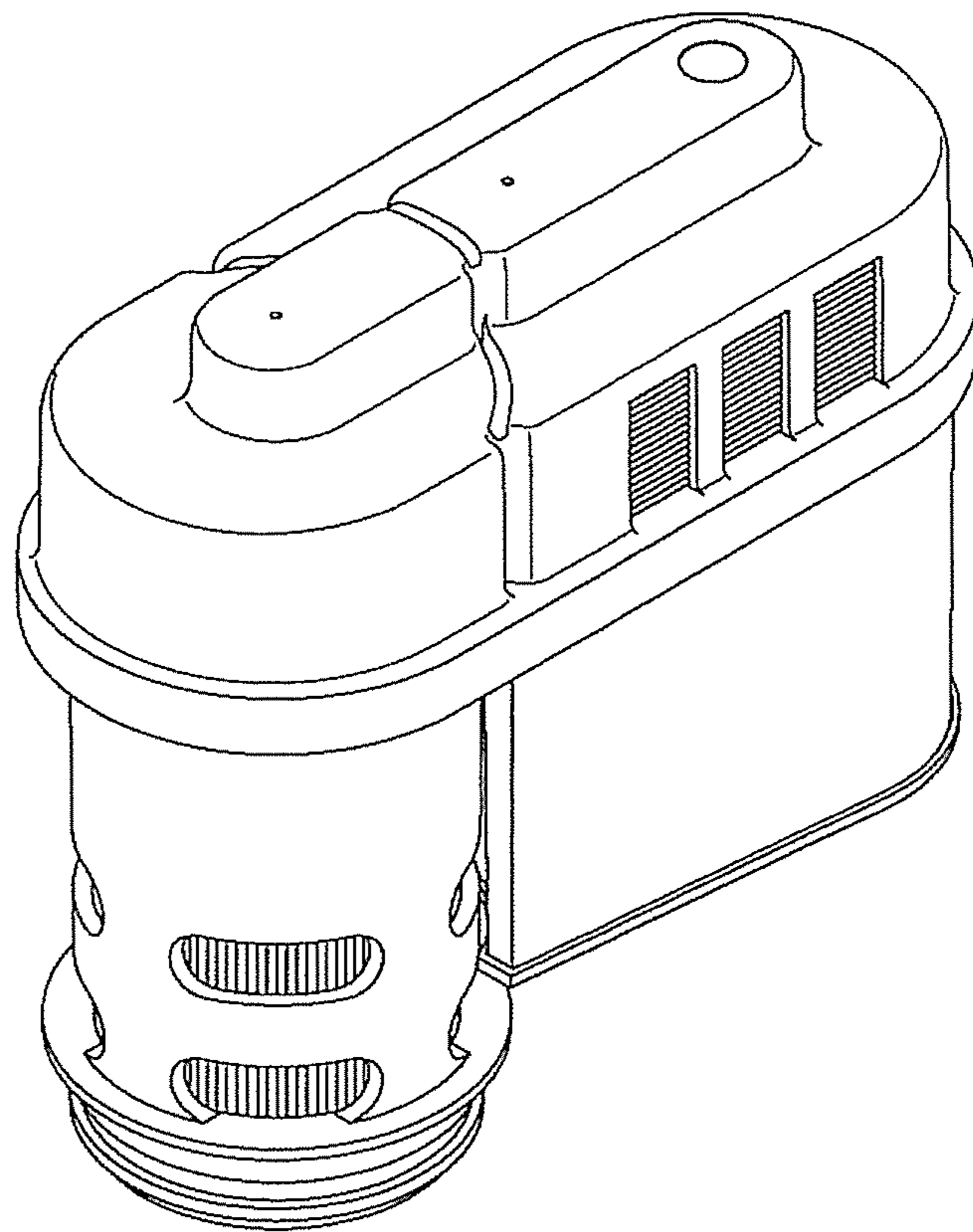


FIG. 1

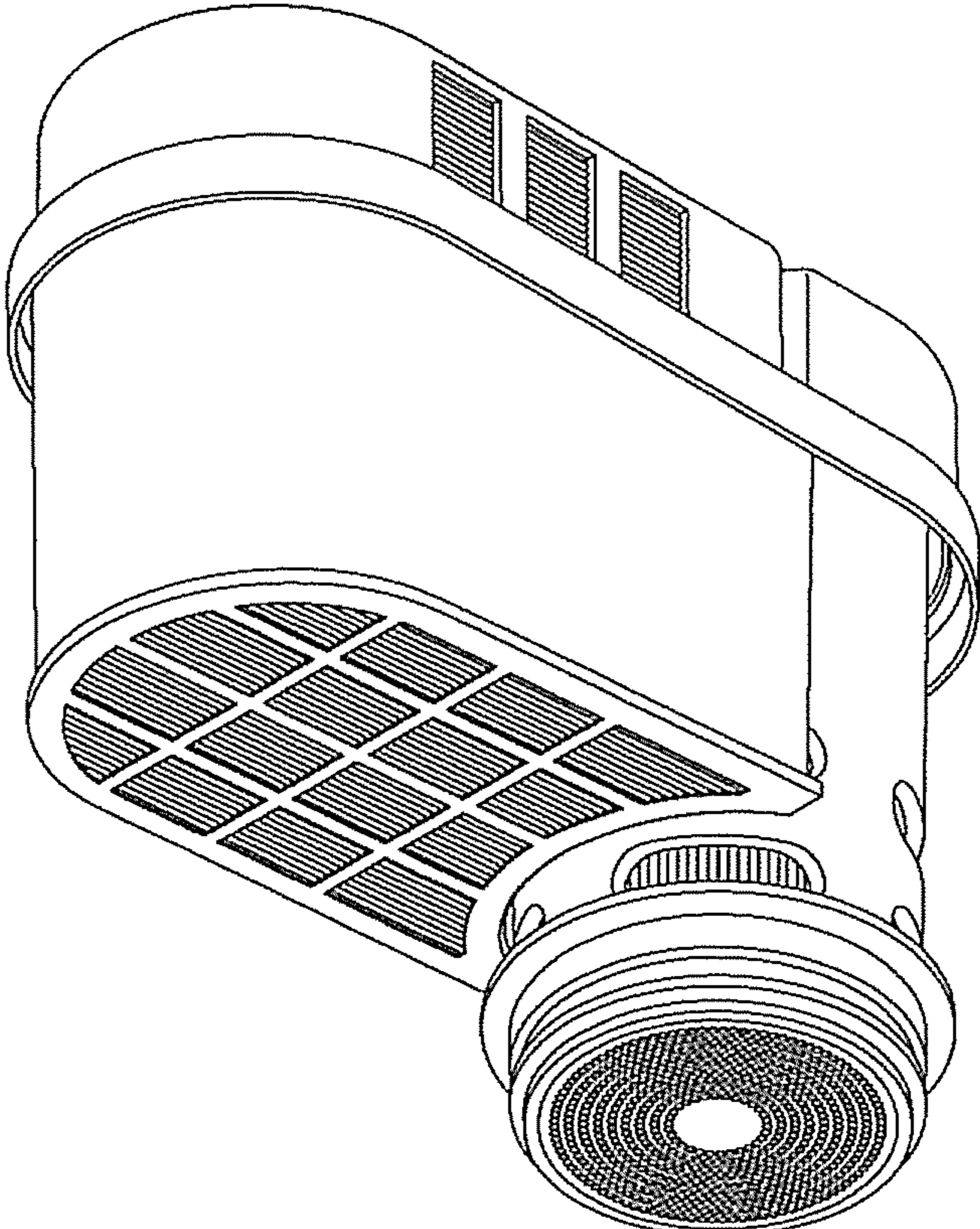


FIG. 2

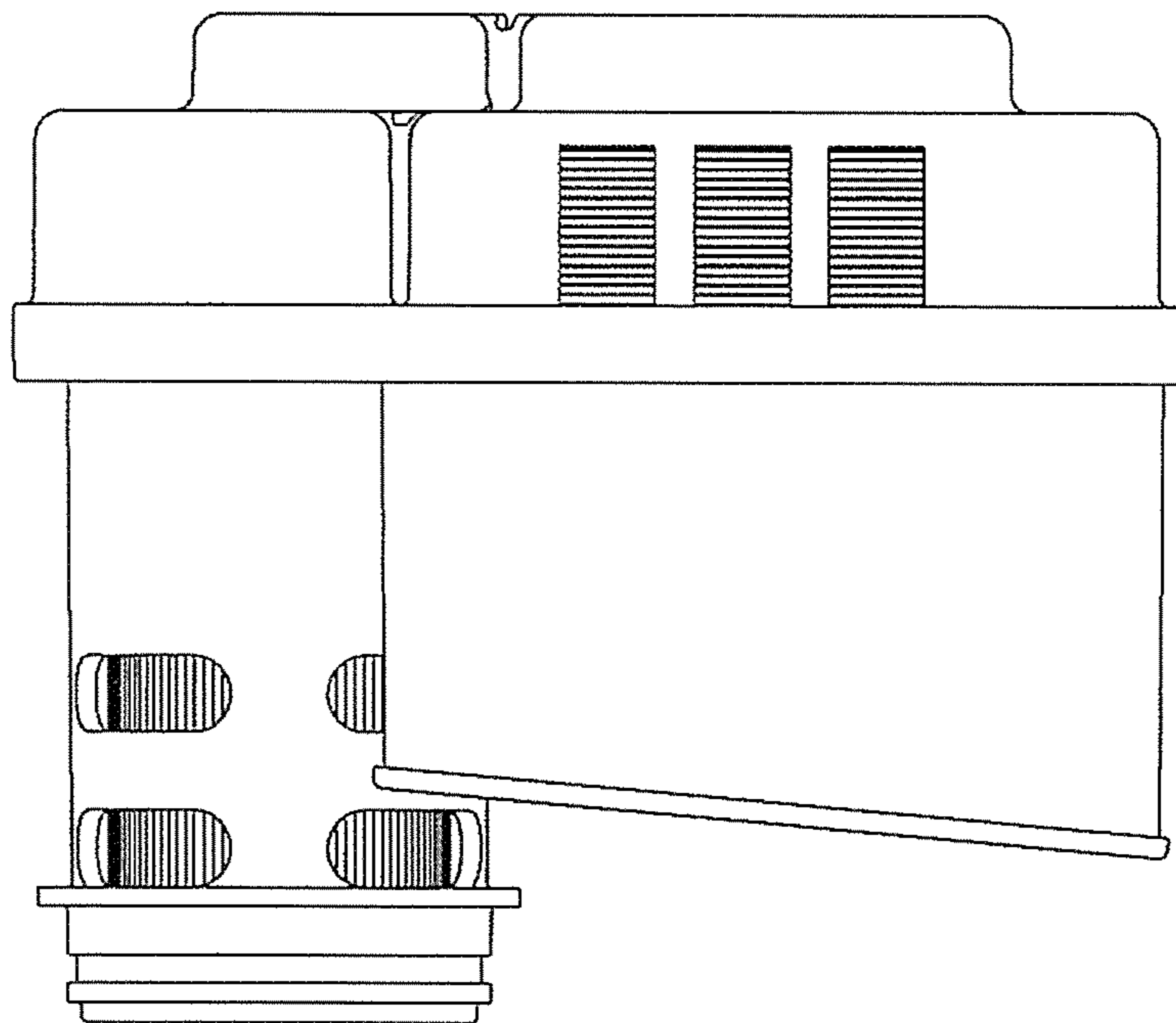


FIG. 3

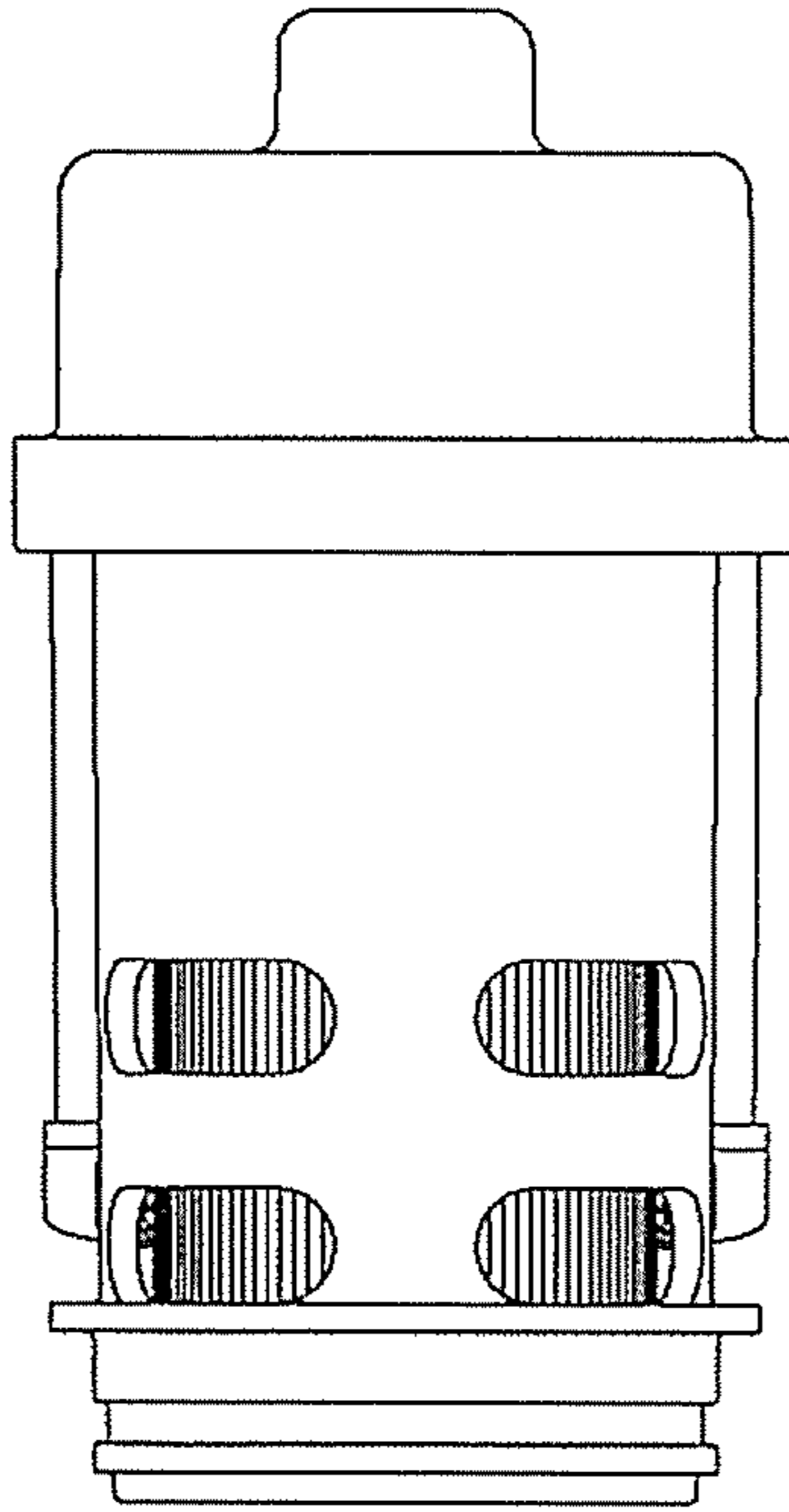


FIG. 4

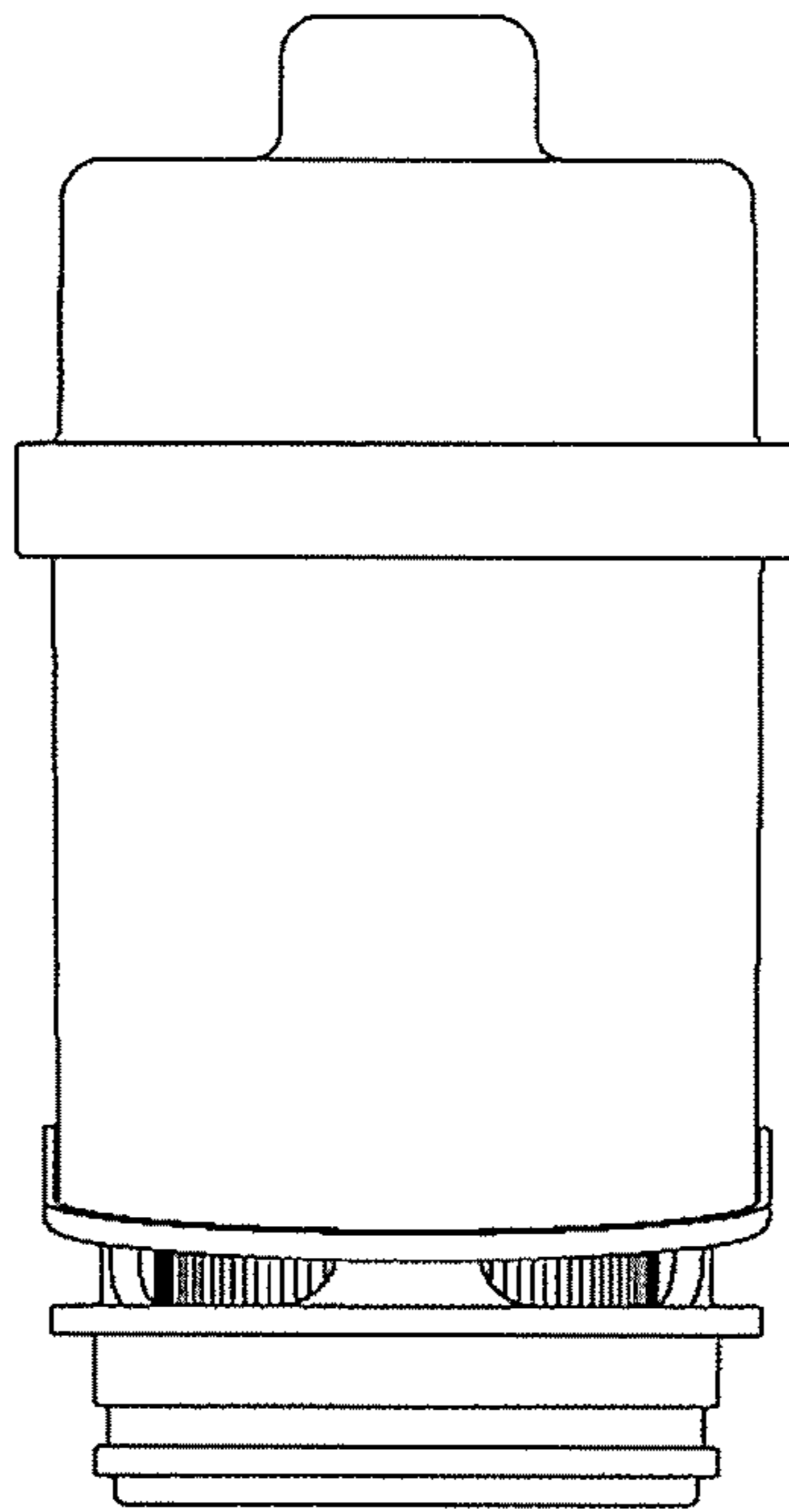


FIG. 5

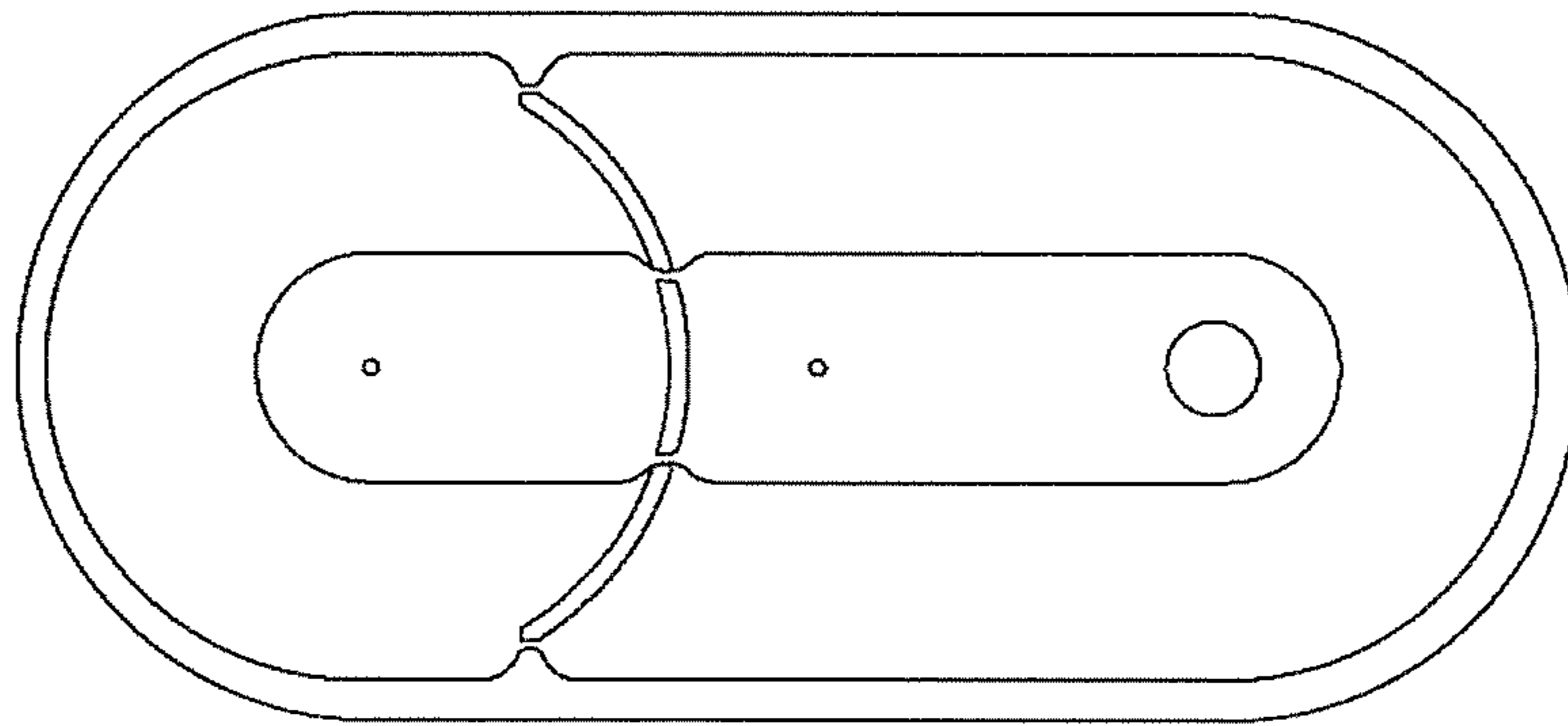


FIG. 6

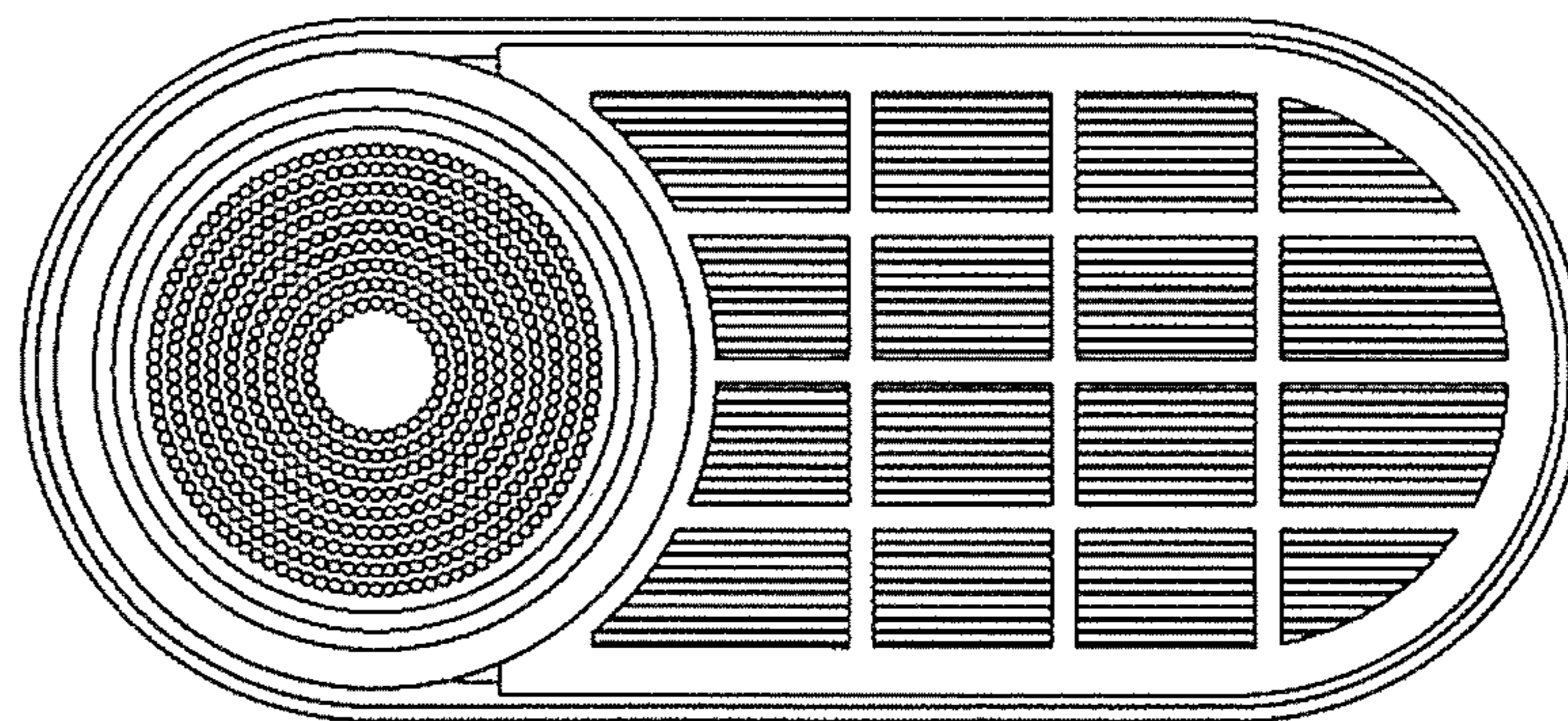


FIG. 7

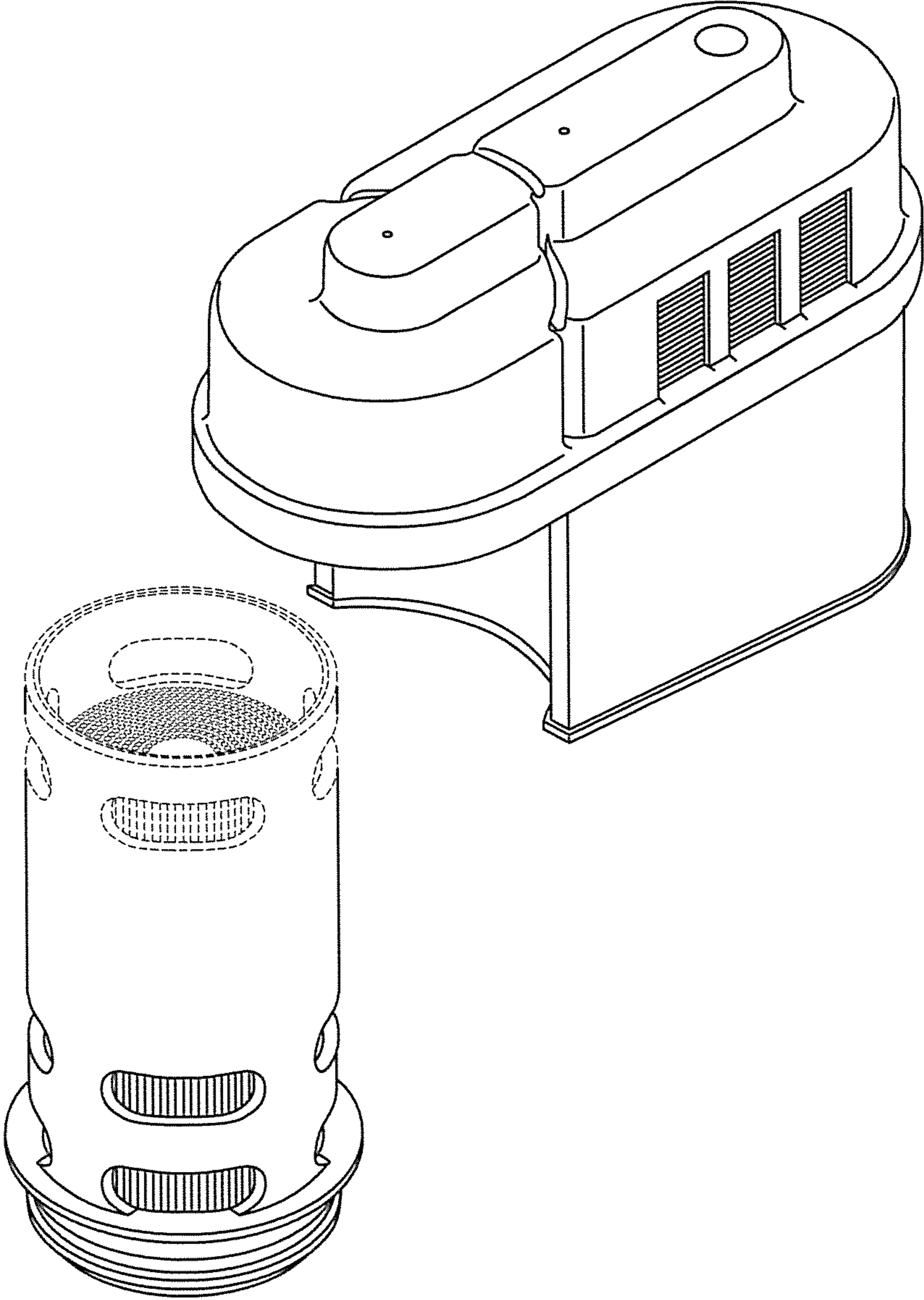


FIG.8