



US00D751165S

(12) **United States Design Patent**
Miller

(10) **Patent No.:** **US D751,165 S**
(45) **Date of Patent:** **** Mar. 8, 2016**

- (54) **MAGAZINE WELL ATTACHMENT FOR A FIREARM**
- (71) Applicant: **FN America, LLC**, McLean, SC (US)
- (72) Inventor: **Harold Lawson Miller**, Lugoff, SC (US)
- (73) Assignee: **FN AMERICA, LLC**, McLean, VA (US)
- (**) Term: **14 Years**
- (21) Appl. No.: **29/507,033**
- (22) Filed: **Oct. 23, 2014**
- (51) **LOC (10) Cl.** **22-01**
- (52) **U.S. Cl.**
USPC **D22/108**
- (58) **Field of Classification Search**
USPC D22/103, 108; D21/572-575
CPC F41C 23/00; F41C 27/00; F41C 27/06;
F41C 23/10; F41C 23/14; F41C 23/16;
F41C 23/18; F41A 5/18; F41A 5/24; F41A
21/28
See application file for complete search history.

(56) **References Cited**

U.S. PATENT DOCUMENTS

D487,790	S	*	3/2004	Freed	D22/108
D487,791	S	*	3/2004	Freed	D22/108
7,823,312	B2		11/2010	Faifer		
8,418,390	B1	*	4/2013	Wright	F41A 9/61 42/49.01
8,533,987	B2		9/2013	Rogers et al.		
8,590,201	B2		11/2013	Brixius		
9,212,859	B1	*	12/2015	Tal	F41A 9/83
9,217,617	B1	*	12/2015	Mapes	F41A 17/38
2012/0255209	A1	*	10/2012	Klassen	F41A 9/71 42/6
2013/0104440	A1	*	5/2013	Addis	F41A 17/38 42/90
2014/0360076	A1	*	12/2014	Zamlinsky	F41C 23/20 42/75.03
2015/0267979	A1	*	9/2015	Miller	F41A 3/00 89/191.01

2015/0316337 A1* 11/2015 Alkhalileh F41A 17/38
42/6

* cited by examiner

Primary Examiner — Michael A Pratt

(74) *Attorney, Agent, or Firm* — Michael A. Mann; Nexsen Pruet, LLC

(57) **CLAIM**

The ornamental design for a magazine well attachment for a firearm, as shown and described.

DESCRIPTION

This application is related to U.S. application Ser. No. 29/507, 039 filed Oct. 23, 2014, titled Trigger Guard for a Firearm Having a Magazine Well Attachment. The disclosure of that application is incorporated herein in their entirety by reference.

FIG. 1 is a top, left side, perspective view of the magazine well attachment with firearm trigger guard shown in broken lines;

FIG. 2 is a right side elevation thereof, with a portion of the receiver of the firearm and the firearm trigger guard shown in broken lines;

FIG. 3 is left side elevation thereof, with the firearm trigger guard shown in broken lines;

FIG. 4 is a bottom view thereof, with the firearm trigger guard shown in broken lines;

FIG. 5 is a top view thereof, with the firearm trigger guard shown in broken lines;

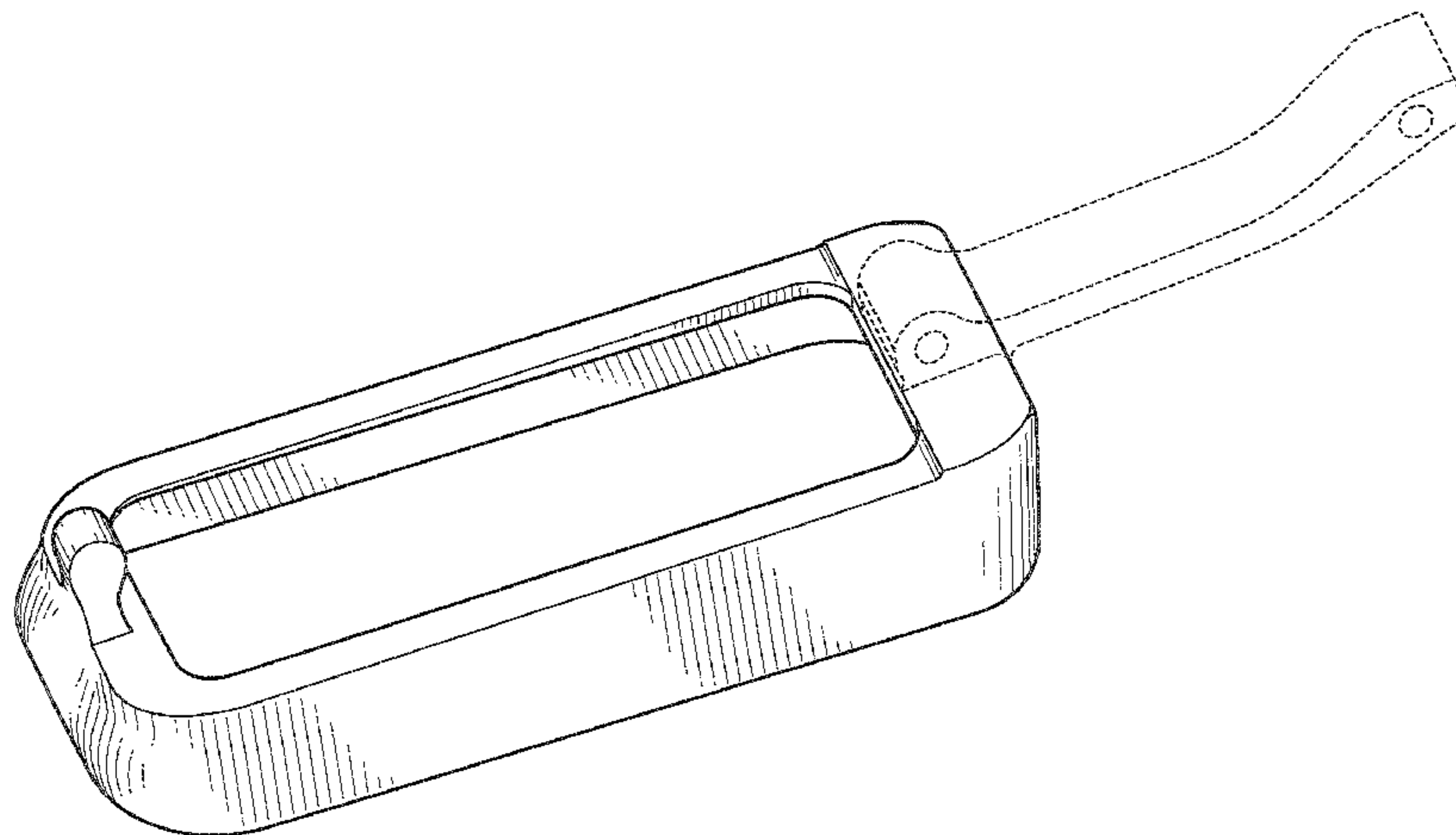
FIG. 6 is a front end view thereof, with the firearm trigger guard shown in broken lines;

FIG. 7 is a back end view thereof, with the firearm trigger guard shown in broken lines; and,

FIG. 8 is a cross sectional view taken across lines 8-8 of FIG. 7 to show the design of the interior walls of the present magazine well attachment, with the firearm trigger guard shown in broken lines.

The trigger guard in FIGS. 1-8 shown in broken lines forms no part of the claimed design.

1 Claim, 4 Drawing Sheets



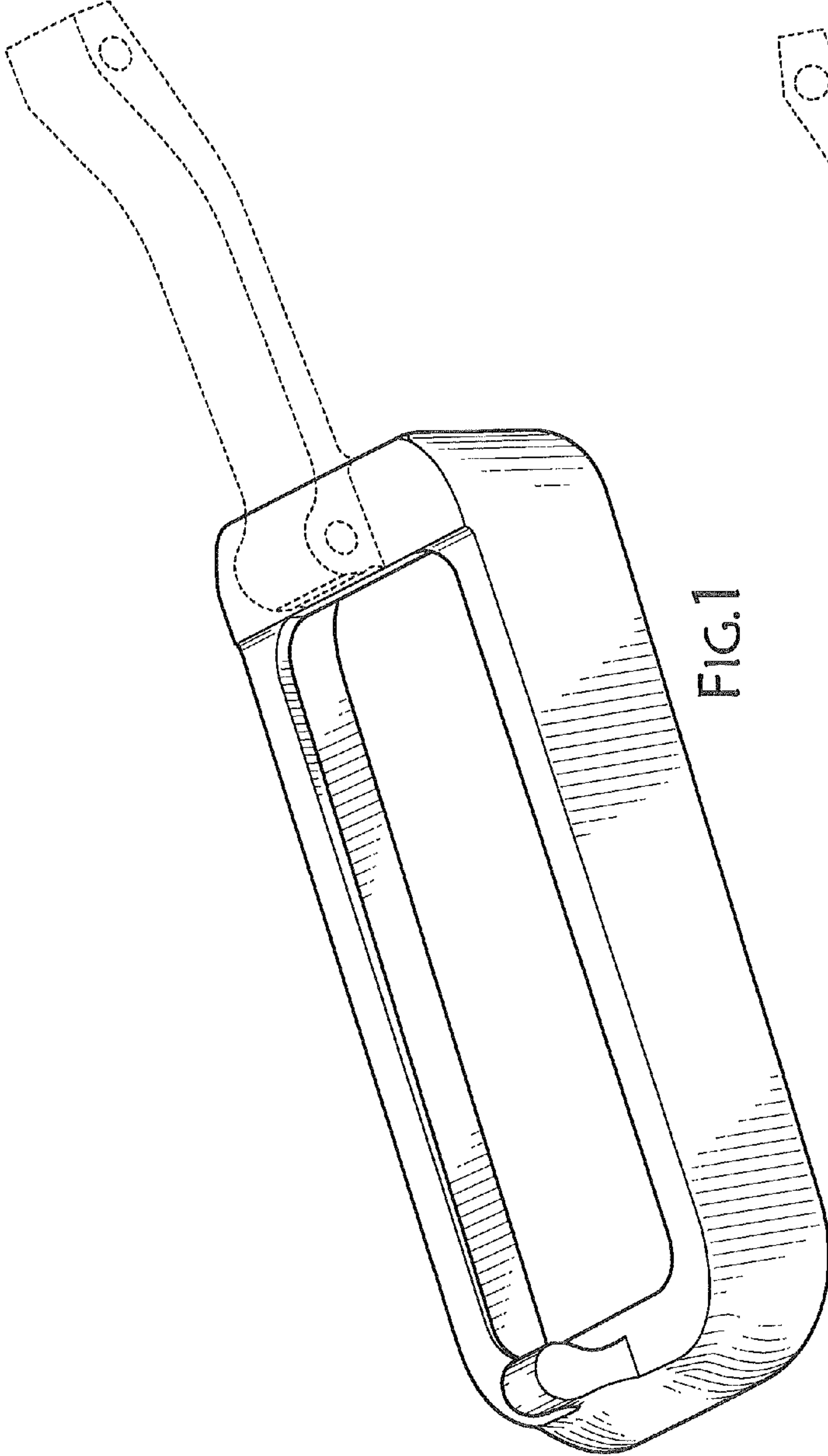


FIG. 1

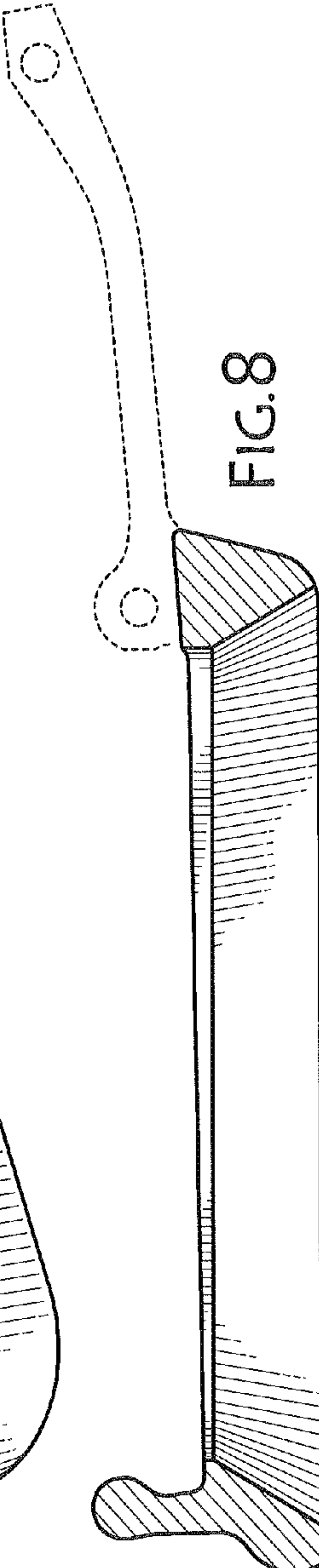


FIG. 8

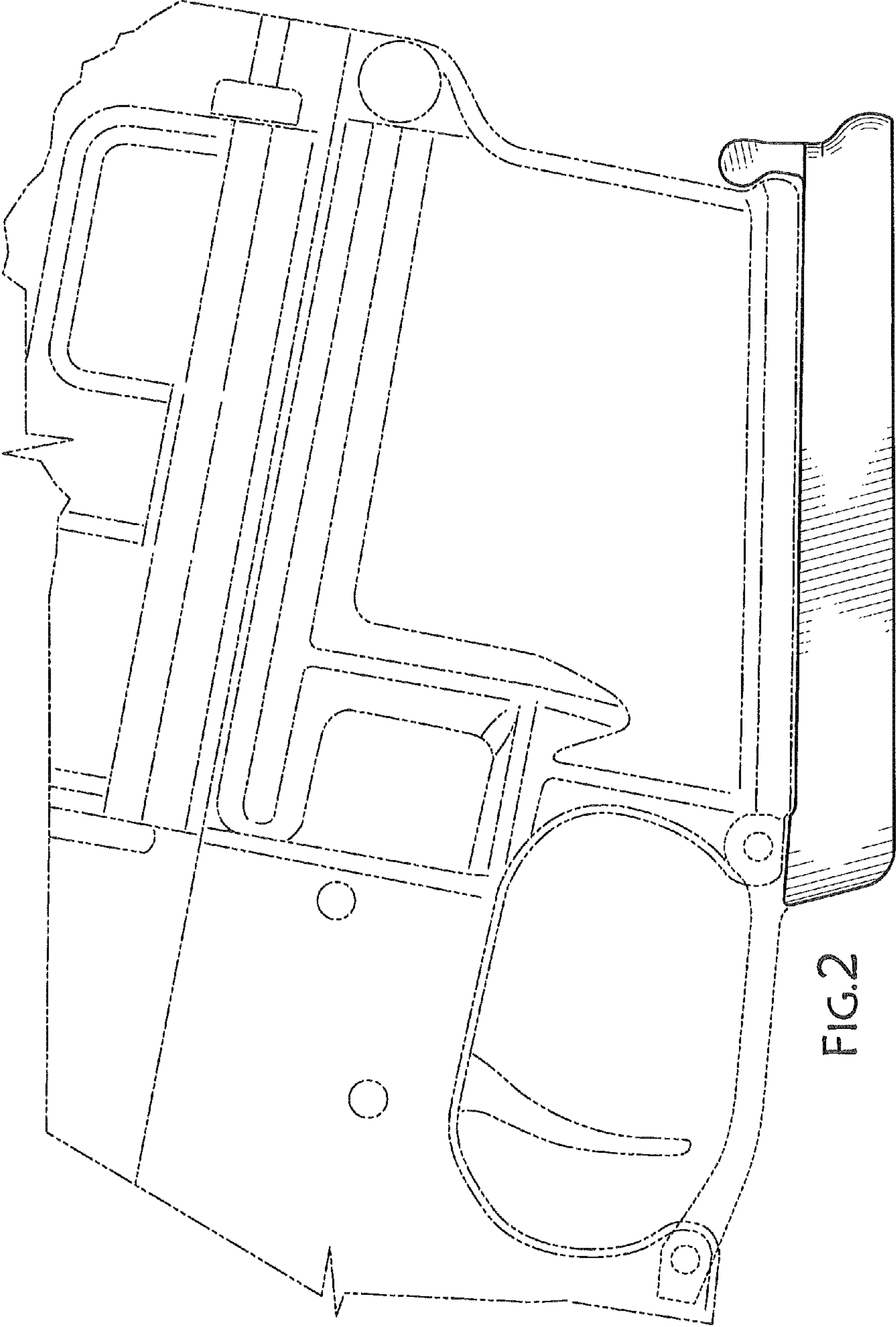


FIG.2

