



US00D751164S

(12) **United States Design Patent**
Fitzpatrick et al.

(10) **Patent No.:** **US D751,164 S**
(45) **Date of Patent:** **** *Mar. 8, 2016**

(54) **FIREARM FOREGRIP**

FOREIGN PATENT DOCUMENTS

(71) Applicant: **Magpul Industries Corporation**, Erie, CO (US)

FR 2751062 5/1996
WO WO 2004/085950 10/2004

(72) Inventors: **Richard Fitzpatrick**, West Lake Hills, TX (US); **Michael T. Mayberry**, Denver, CO (US); **Thomas Ward, Jr.**, Tualatin, OR (US); **Brad Bennett**, Lafayette, CO (US)

OTHER PUBLICATIONS

BravoCompanyUSA_com_2007_M4_Hand_Gaurd
BravoCompanyUSA.com (Oct. 15, 2007) M4 Hand Gaurd; Website [Online] Available Web Site: <http://www.bravocompanyusa.com/M4-Handguards-Black-p/bcm%20handguards%20m4%20black.htm>; Last Update: Feb. 19, 2008; Accessed on Feb. 23, 2011.

(73) Assignee: **Magpul Industries Corporation**, Louisville, CO (US)

(Continued)

(*) Notice: This patent is subject to a terminal disclaimer.

Primary Examiner — Michael A Pratt

(74) *Attorney, Agent, or Firm* — Swanson & Bratschun, L.L.C.

(**) Term: **14 Years**

(21) Appl. No.: **29/500,587**

(57) **CLAIM**

The ornamental design for a firearm foregrip, as shown and described.

(22) Filed: **Aug. 26, 2014**

Related U.S. Application Data

DESCRIPTION

(63) Continuation of application No. 29/459,580, filed on Jul. 1, 2013, now Pat. No. Des. 718,405.

(51) **LOC (10) Cl.** **22-01**

(52) **U.S. Cl.**
USPC **D22/108**

(58) **Field of Classification Search**
USPC D22/103, 108
CPC F41C 23/10; F41C 23/14; F41C 23/16;
F41C 23/18

See application file for complete search history.

FIG. 1 is a left, rear, top perspective view of a firearm foregrip attached to a firearm barrel showing our new design; FIG. 2 is a left, rear, bottom perspective view of the firearm foregrip of FIG. 1 with the firearm barrel omitted; FIG. 3 is a right side elevation view of the firearm foregrip of FIG. 1, the left side being a mirror image thereof; FIG. 4 is a top plan view of the firearm foregrip of FIG. 1; FIG. 5 is a bottom plan view of the firearm foregrip of FIG. 1; FIG. 6 is a rear elevation view of the firearm foregrip of FIG. 1; and, FIG. 7 is a front elevation view of the firearm foregrip of FIG. 1.

The broken lines showing portions of the design in all figures are included for the purpose of illustrating environment and unclaimed features and forms not part of the claimed design.

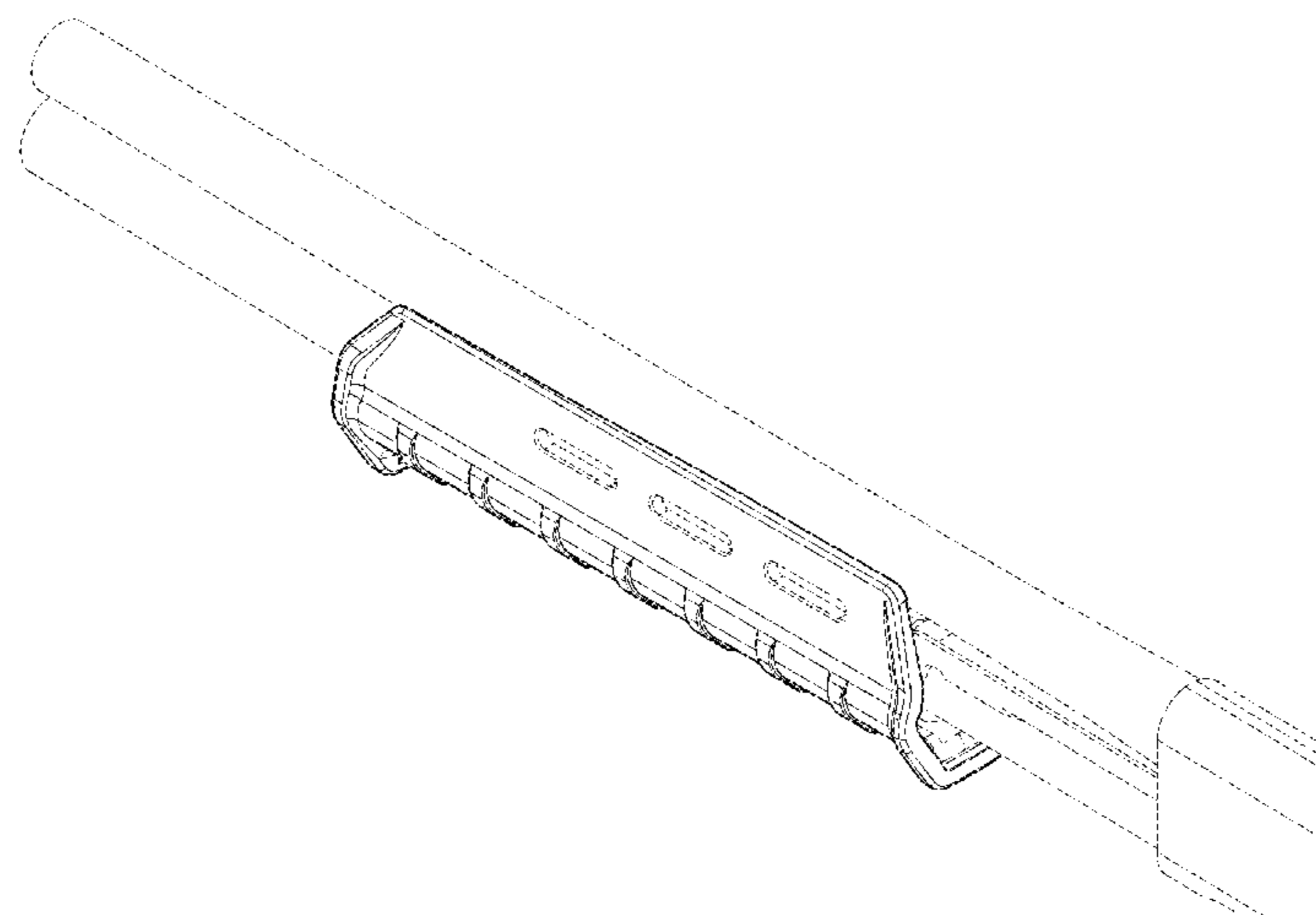
(56) **References Cited**

U.S. PATENT DOCUMENTS

2,023,929 A 12/1935 Loomis
3,242,608 A 3/1966 Heppard

(Continued)

1 Claim, 5 Drawing Sheets



(56)

References Cited

U.S. PATENT DOCUMENTS

3,512,290	A	5/1970	Violette, Jr.
3,892,082	A	7/1975	Domhan
4,406,080	A	9/1983	Badali
4,536,982	A	8/1985	Bredbury
4,663,875	A	5/1987	Tatro
D297,450	S	8/1988	Florida
5,010,676	A	4/1991	Kennedy
5,054,221	A	10/1991	Ozols
5,305,539	A	4/1994	von Kuster
5,983,773	A	11/1999	Dionne
6,243,978	B1	6/2001	Vignaroli
6,609,321	B2	8/2003	Faifer
6,662,485	B2	12/2003	Kay
D486,547	S	2/2004	Faifer
6,775,941	B1	8/2004	McNulty, Jr.
D507,619	S	7/2005	Shiloni
7,121,035	B2	10/2006	Greer
7,194,834	B2	3/2007	Falenwolfe
7,571,671	B2	8/2009	Engel
D615,142	S	5/2010	Bentley
7,866,079	B2	1/2011	Keeney
D636,453	S	4/2011	Fitzpatrick
D641,450	S	7/2011	Ding
8,051,595	B2	11/2011	Hochstrate
D656,215	S	3/2012	Fitzpatrick
D672,838	S	12/2012	Mayberry
8,448,367	B2	5/2013	Samson
8,522,468	B2	9/2013	Webber
D708,694	S	7/2014	Wells
D710,964	S	8/2014	Chvala
D718,405	S	11/2014	Fitzpatrick
D722,356	S	2/2015	Keller

D728,722	S	5/2015	Peterson
D728,723	S	5/2015	Peterson
9,121,664	B2*	9/2015	Fitzpatrick F41C 23/16
2010/0059032	A1	3/2010	Zadra
2011/0119982	A1	5/2011	Webber
2012/0144712	A1	6/2012	Rostocil
2014/0157639	A1	6/2014	Larson
2014/0196342	A1	7/2014	Syrengeles

OTHER PUBLICATIONS

Bushmaster_com_Disassembly_Views_AR15_Rifle
 Bushmaster.com; Disassembly Views of the Bushmaster AR15 Rifle;
 Website [Online] Available Web Site: <http://www.bushmaster.com/documentation/AR51%20PB RifleBBLAssembly.pdf>; Last Update: unknown; Accessed on May 9, 2011.

Bushmaster_com_2007_Schematic_Parts_Poster_M4A3_Carbine
 Bushmaster.com (2007) Schematic Parts Poster for Bushmaster M4A3 Carbine; Website [Online] Available Web Site: <http://www.bushmaster.com/electronic-documents/2007Catalogv1/Page40-41Schematic2007.pdf>; Last Update: unknown; Accessed on May 9, 2011.

DSArms_com_SA58_FAL_Spartan_Tactical_Rifle
 DSArms.com, SA58 FAL Spartan Tactical Rifle .308 Caliber—SA58SPNTAC; Website [Online] Available Web Site: <http://www.dsarms.com/SA58-FAL-Spartan-Tactical-Rifle-308-Caliber—SA58SPNTAC/productinfo/SA58SPNTAC/>; Last Update: unknown; Accessed on Feb. 23, 2011.

Mossberg_Owners_Manual_PartNo_12173_Rev_H
 Mossberg Owners Manual for 500, 835 and 590 Model Pump Action Shotguns, Part No. 12173, Rev. H.

* cited by examiner

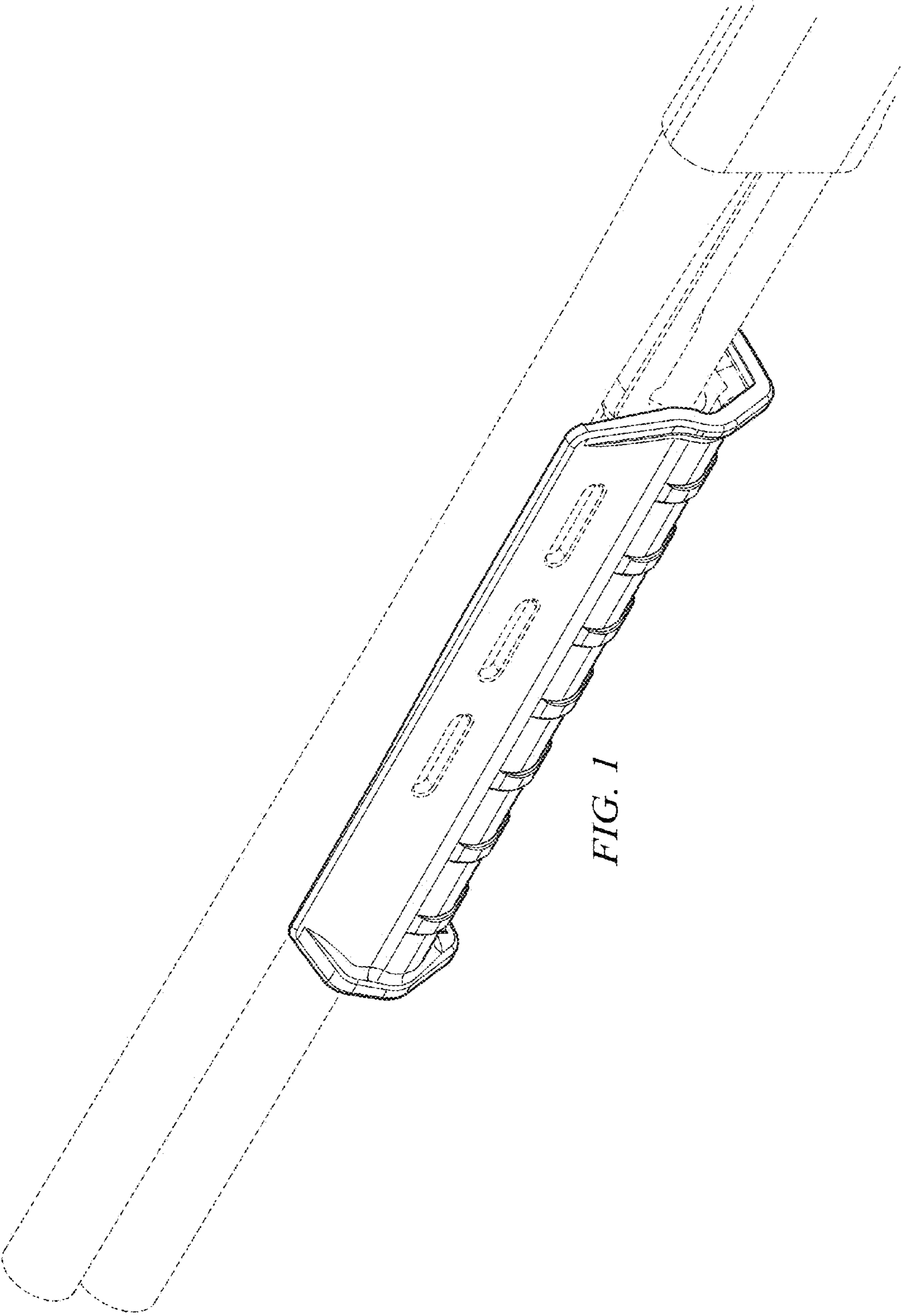


FIG. 1

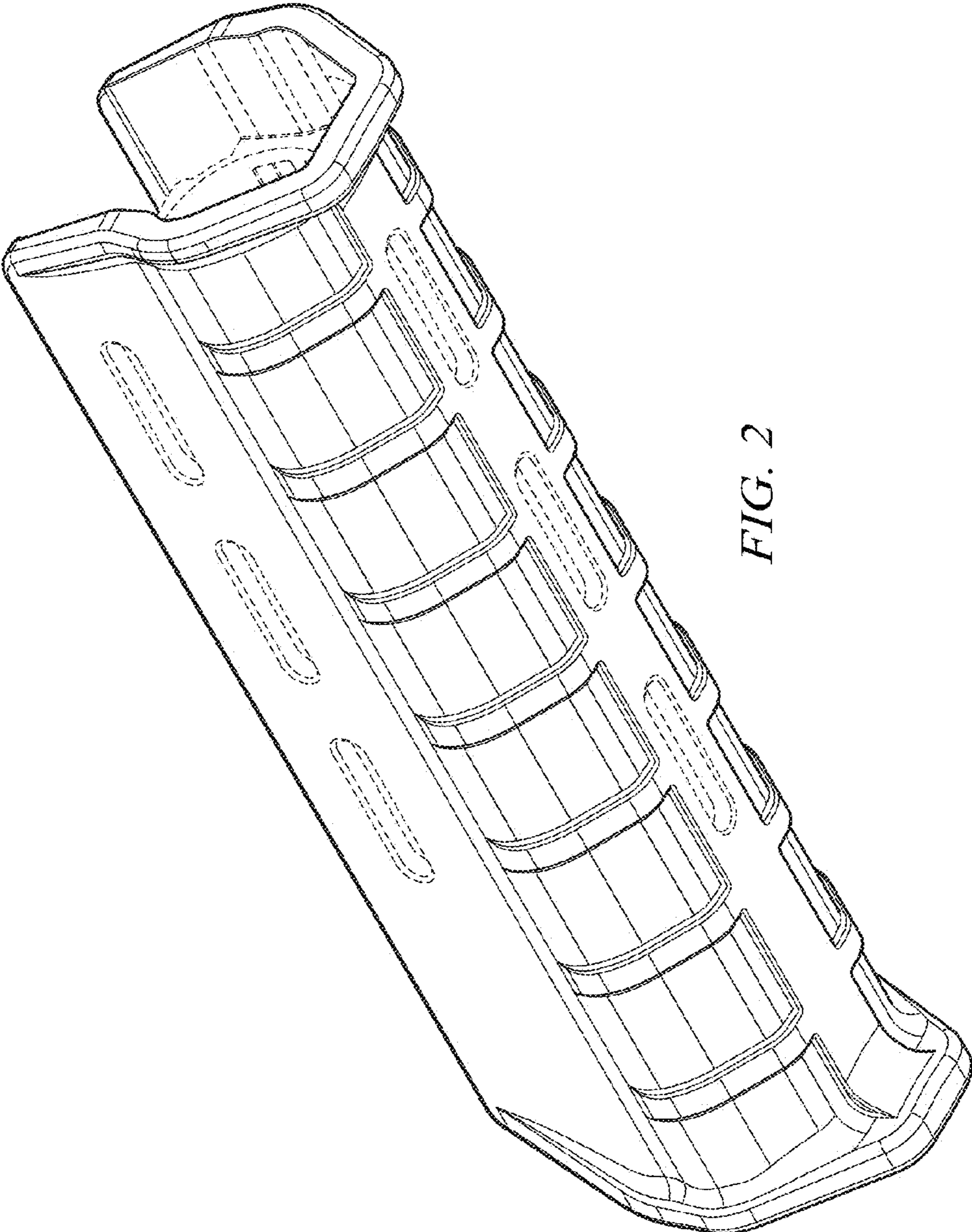


FIG. 2

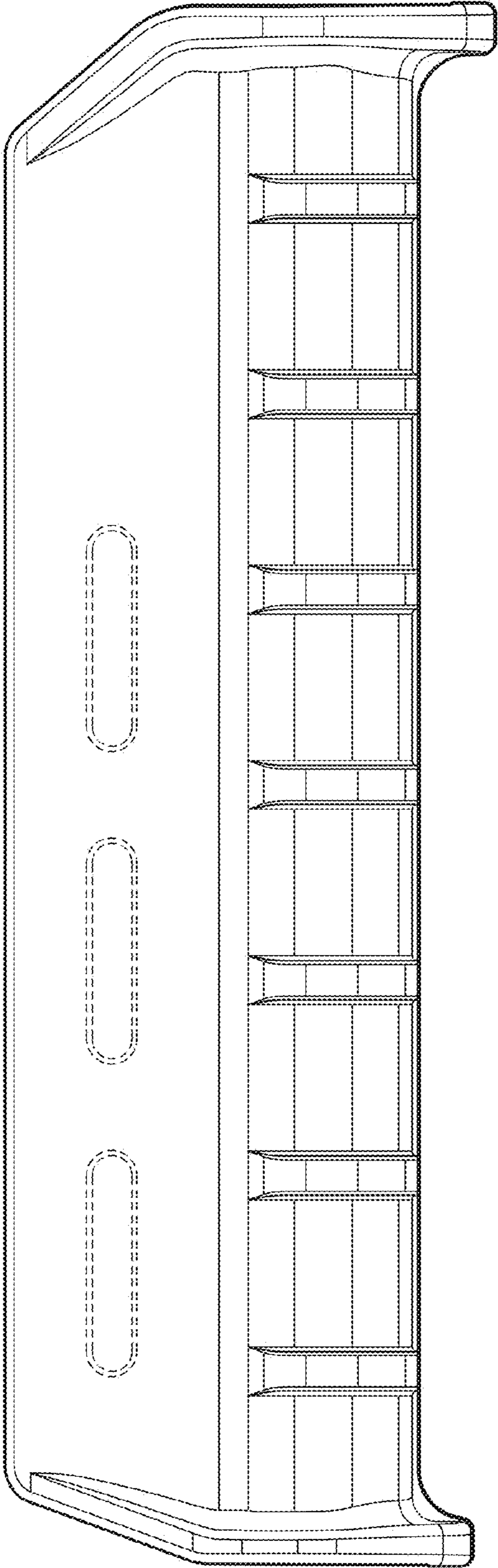


FIG. 3

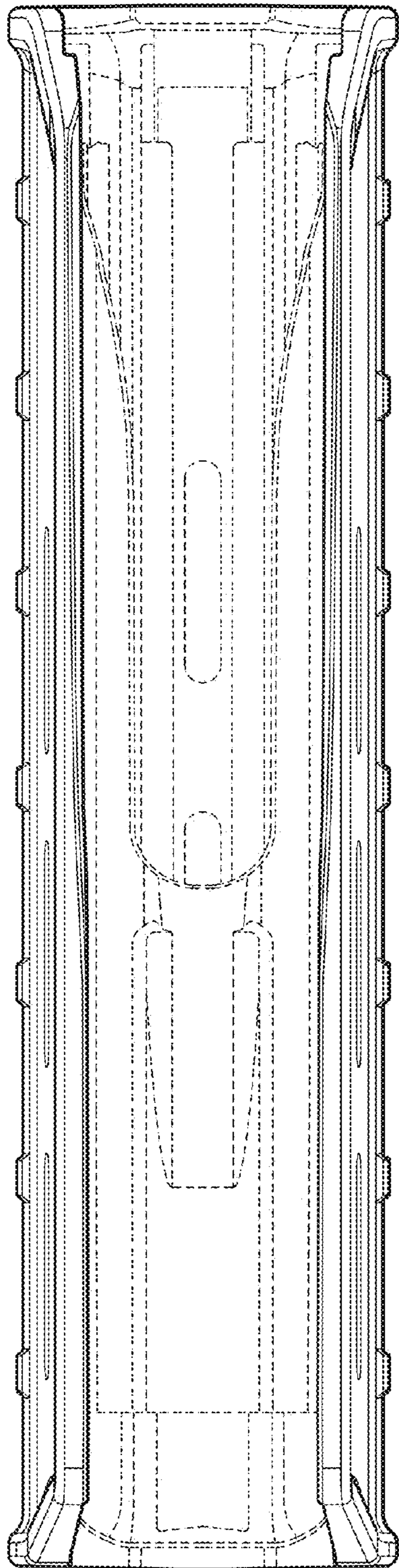


FIG. 4

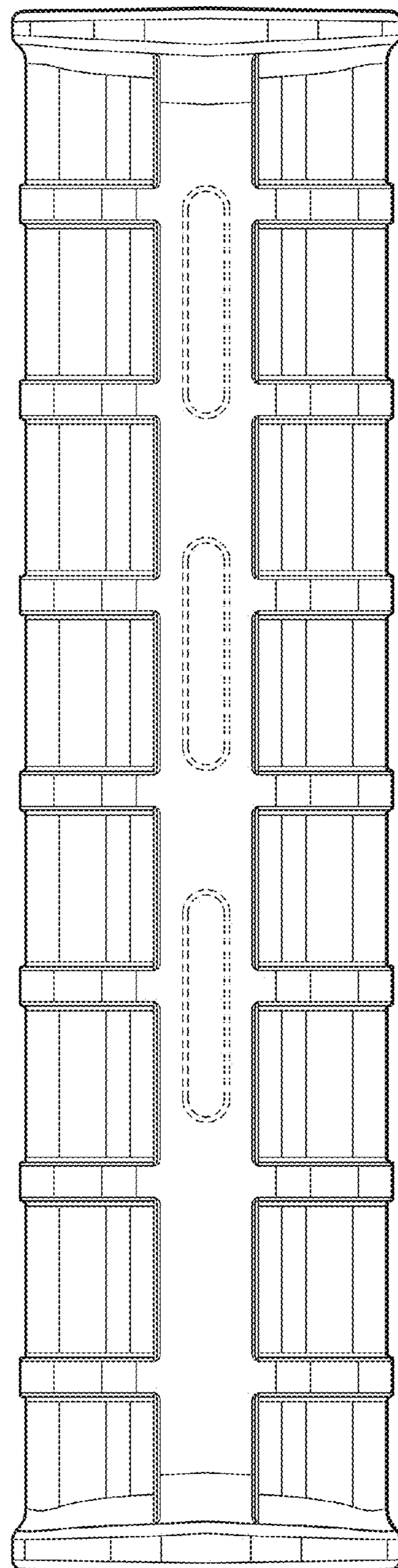


FIG. 5

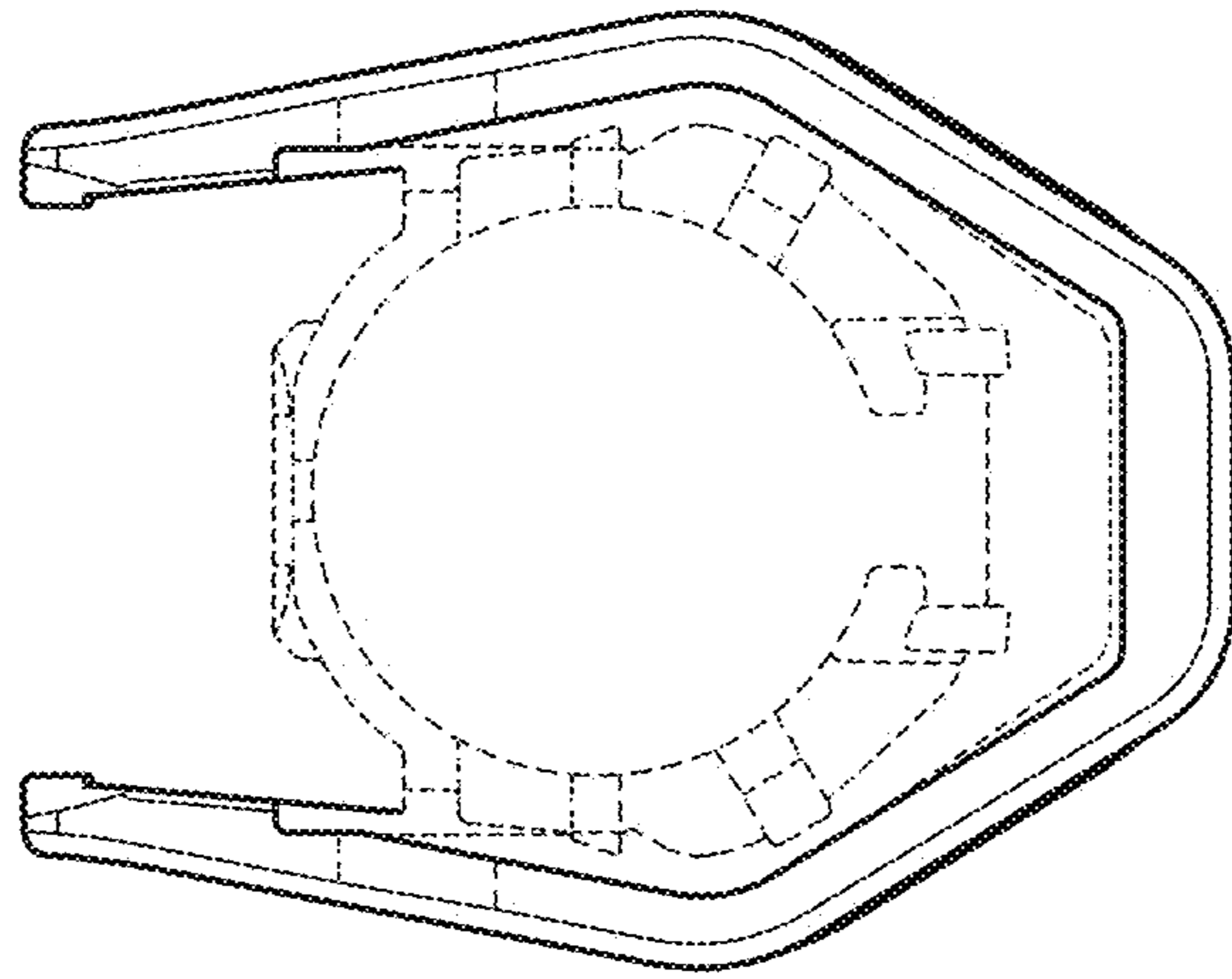


FIG. 7

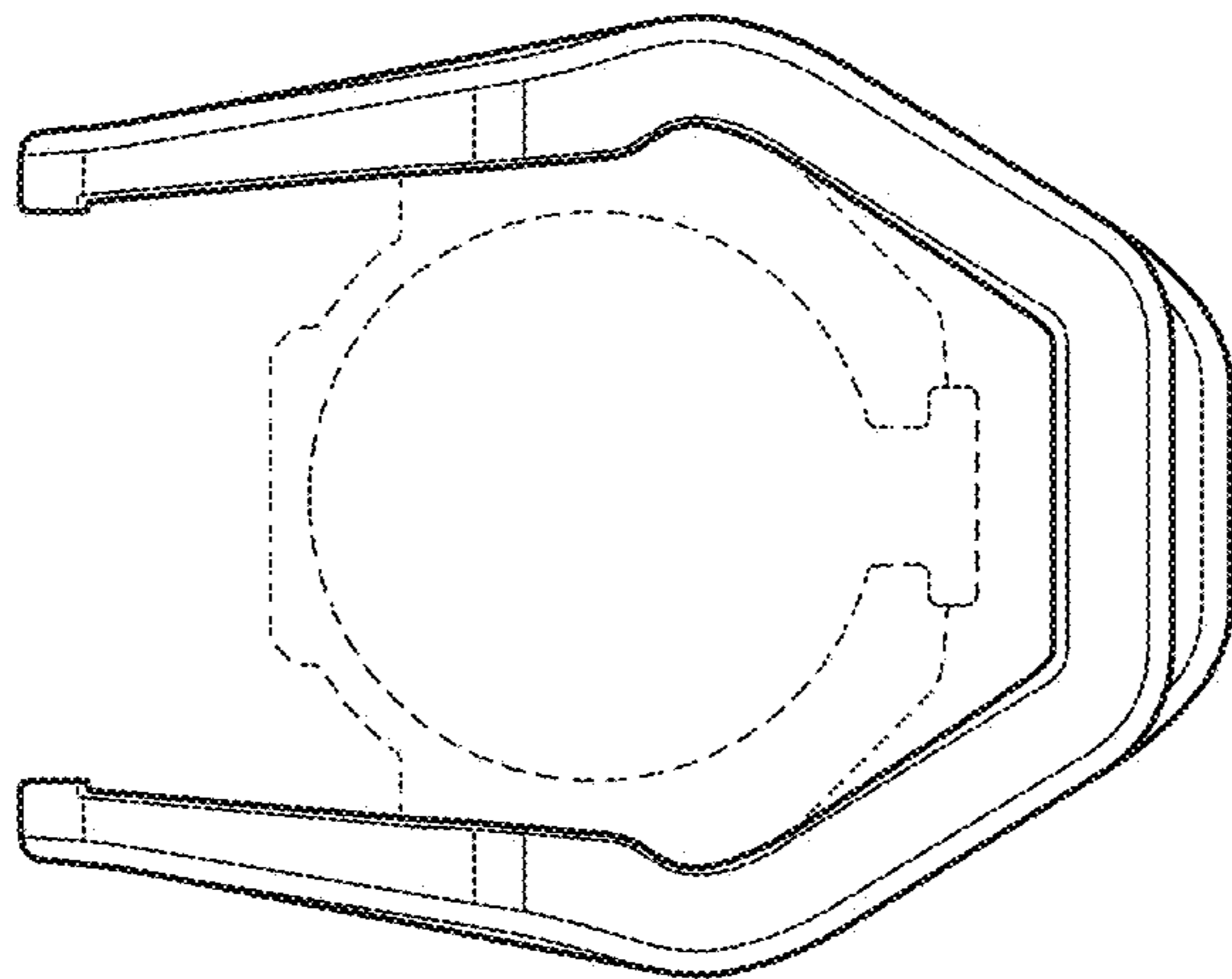


FIG. 6