



US00D751163S

(12) **United States Design Patent**
Ohlau

(10) **Patent No.:** **US D751,163 S**
(45) **Date of Patent:** **** Mar. 8, 2016**

- (54) **ARCHERY BROADHEAD BLADE**
- (71) Applicant: **Kurt S. Ohlau**, Cerro Gordo, IL (US)
- (72) Inventor: **Kurt S. Ohlau**, Cerro Gordo, IL (US)
- (**) Term: **14 Years**
- (21) Appl. No.: **29/506,175**
- (22) Filed: **Oct. 14, 2014**
- (51) **LOC (10) Cl.** **22-01**
- (52) **U.S. Cl.**
USPC **D22/107**
- (58) **Field of Classification Search**
USPC D22/107
CPC F42B 6/04; F42B 6/08; F42B 6/003;
F42B 6/02; F42B 12/362
See application file for complete search history.

- D646,747 S * 10/2011 Samona D22/115
- 8,435,144 B2 5/2013 Asherman
- D710,962 S * 8/2014 Pedersen D22/107
- D743,501 S * 11/2015 Pedersen D22/107

* cited by examiner

Primary Examiner — Michael A Pratt
(74) *Attorney, Agent, or Firm* — Philip L. Bateman

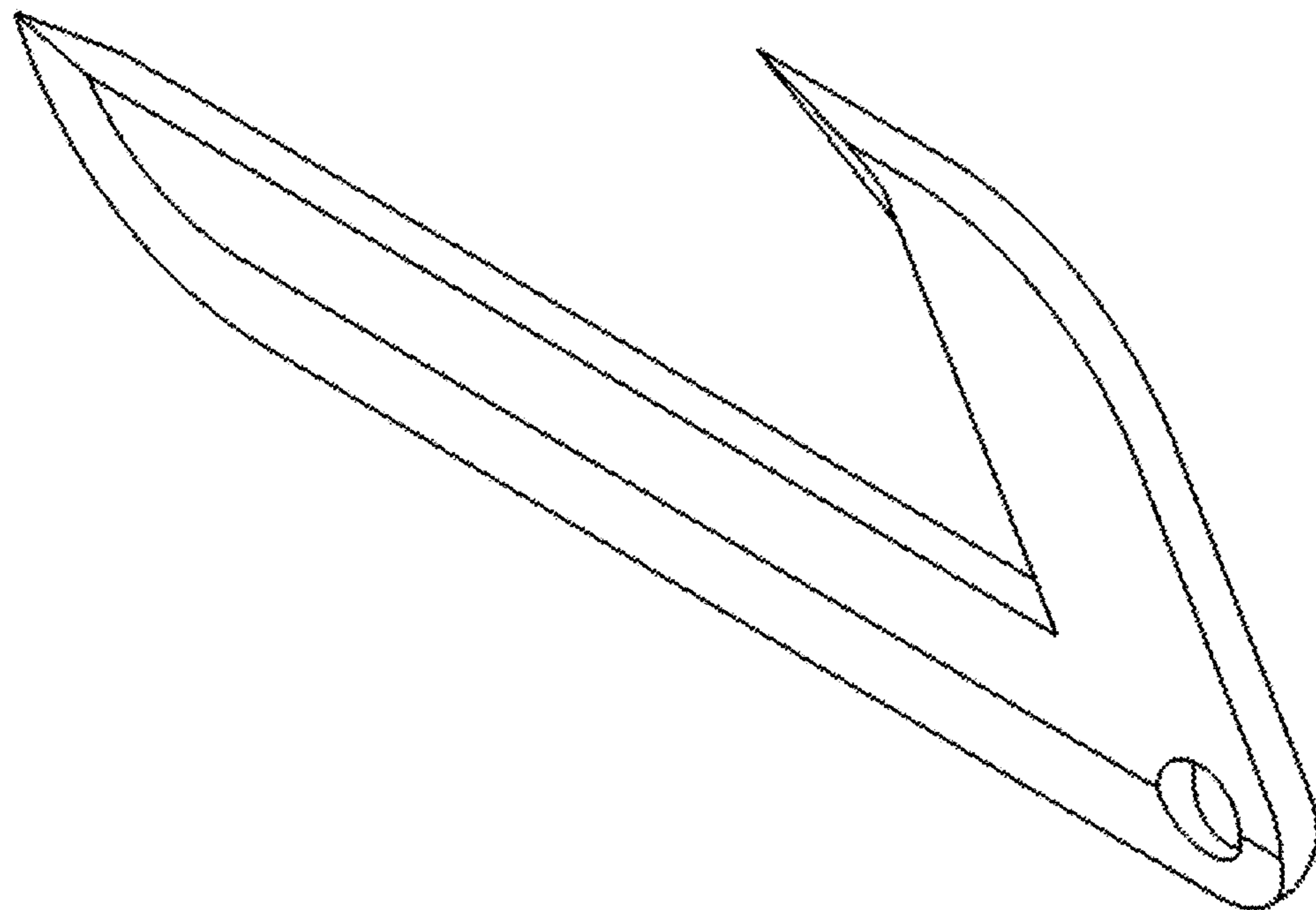
(57) **CLAIM**
The ornamental design for an archery broadhead blade, as shown and described.

DESCRIPTION

FIG. 1 is a rear and right side perspective view of an archery broadhead blade showing my new design;
 FIG. 2 is a top plan view thereof;
 FIG. 3 is a front elevation view thereof;
 FIG. 4 is a right side elevation view thereof;
 FIG. 5 is a rear elevation view thereof;
 FIG. 6 is a bottom plan view thereof;
 FIG. 7 is a left side elevation view thereof in a first, undeployed position during use;
 FIG. 8 is a left side perspective view thereof in a second, partially deployed position during use; and,
 FIG. 9 is a left side perspective view thereof in a third, fully deployed position during use.
 The broken lines showing an archery broadhead and other blades in FIGS. 7 to 9 are for illustration purposes and form no part of the claimed design.

- (56) **References Cited**
U.S. PATENT DOCUMENTS
- 4,166,619 A * 9/1979 Bergmann F42B 12/362
30/161
- 4,940,246 A * 7/1990 Stagg F42B 8/06
473/583
- 5,178,398 A 1/1993 Eddy
- 5,458,341 A 10/1995 Forrest et al.
- 6,171,206 B1 1/2001 Liechty, II
- 6,595,881 B1 * 7/2003 Grace, Jr. B22F 3/22
473/583
- 7,377,869 B2 5/2008 Wohlfeil et al.
- D583,897 S 12/2008 Ward

1 Claim, 2 Drawing Sheets



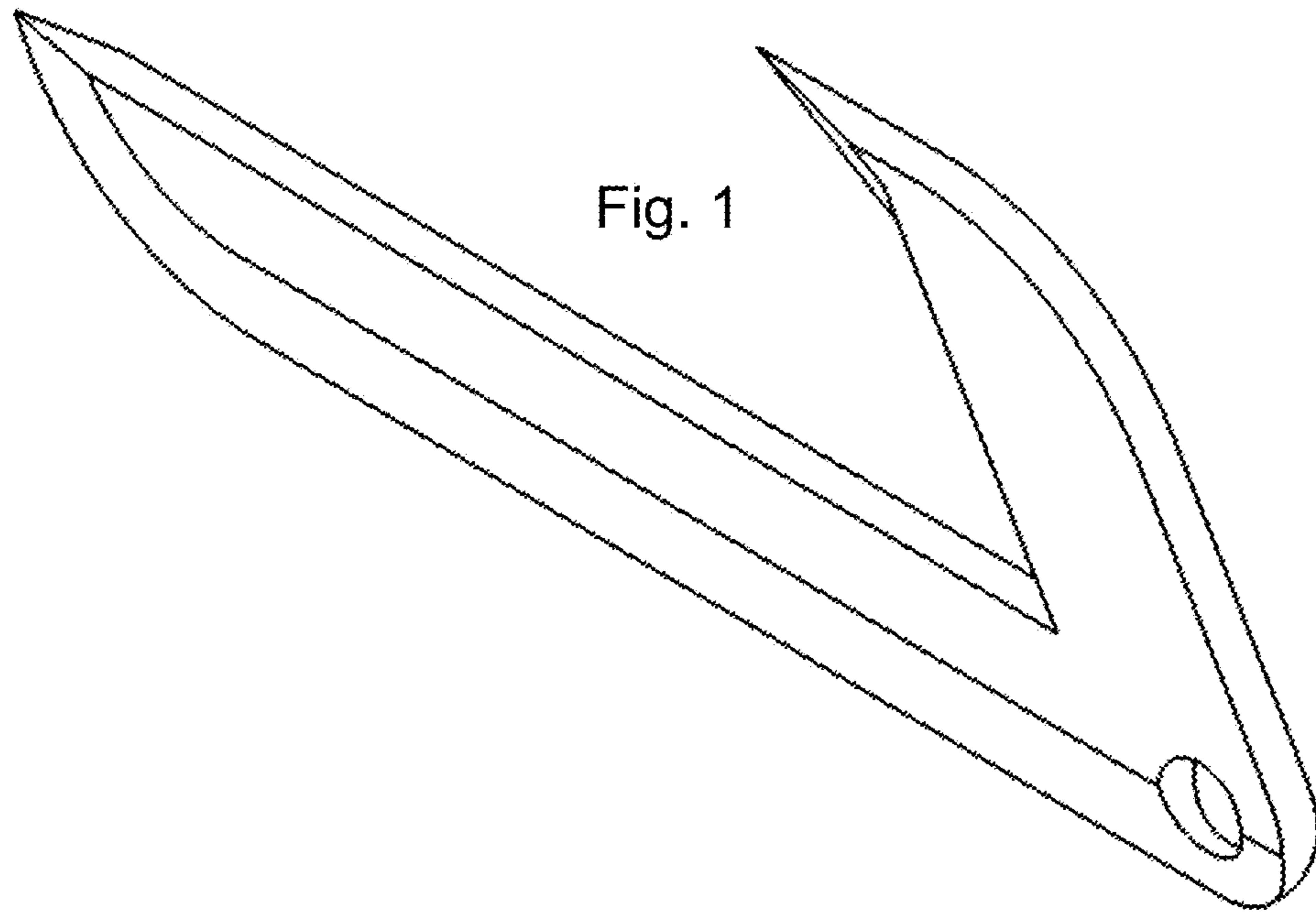


Fig. 1

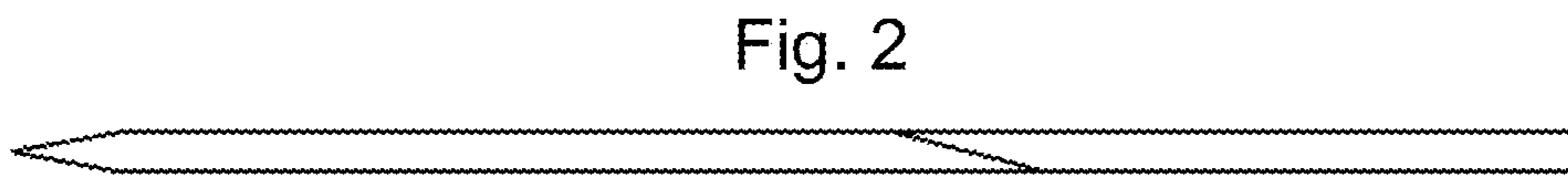


Fig. 2

Fig. 3



Fig. 5

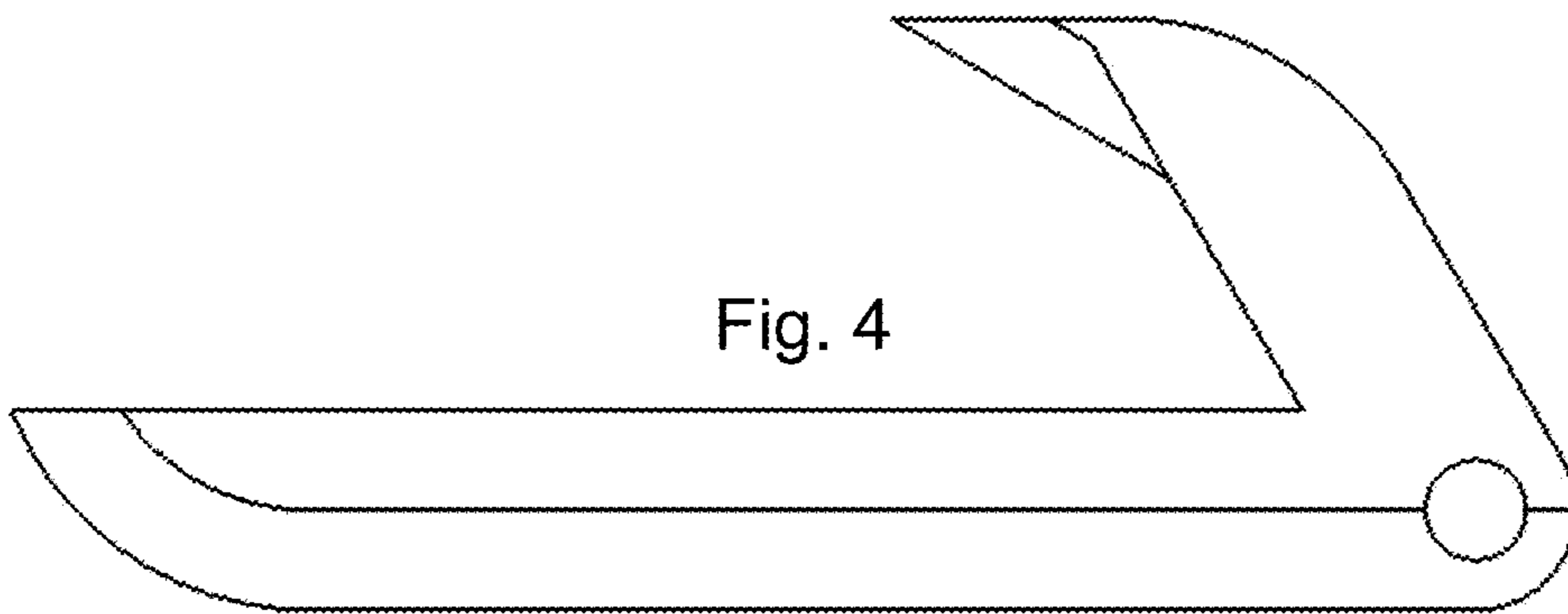


Fig. 4

Fig. 6

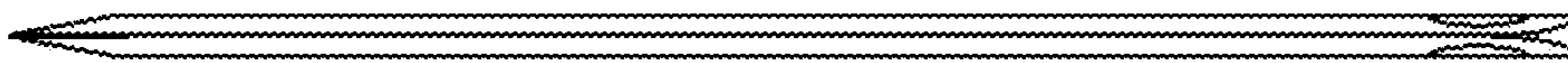


Fig. 7

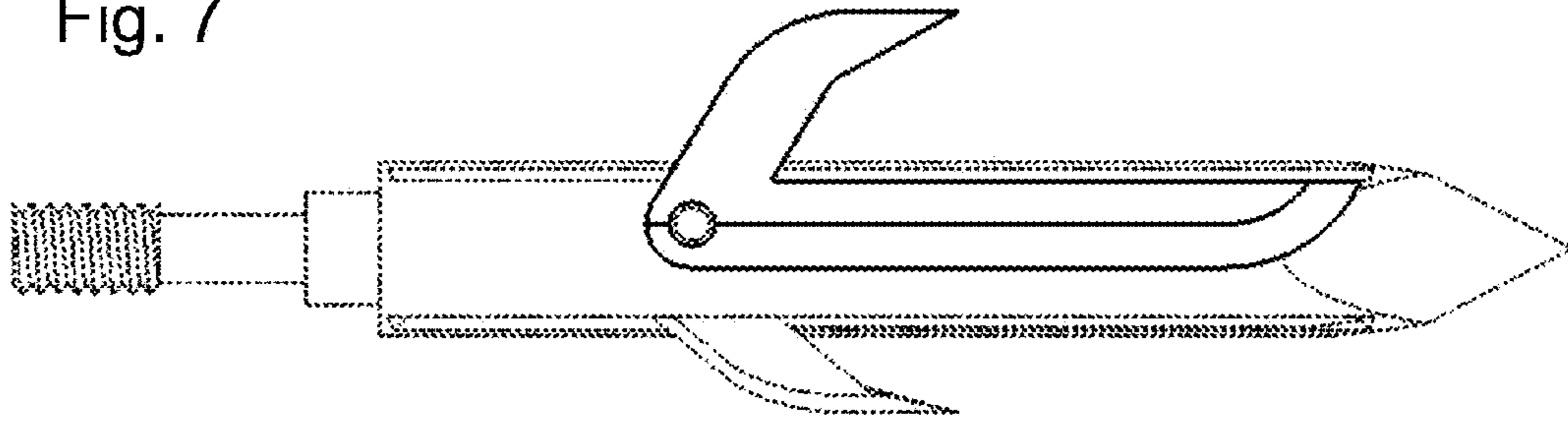


Fig. 8

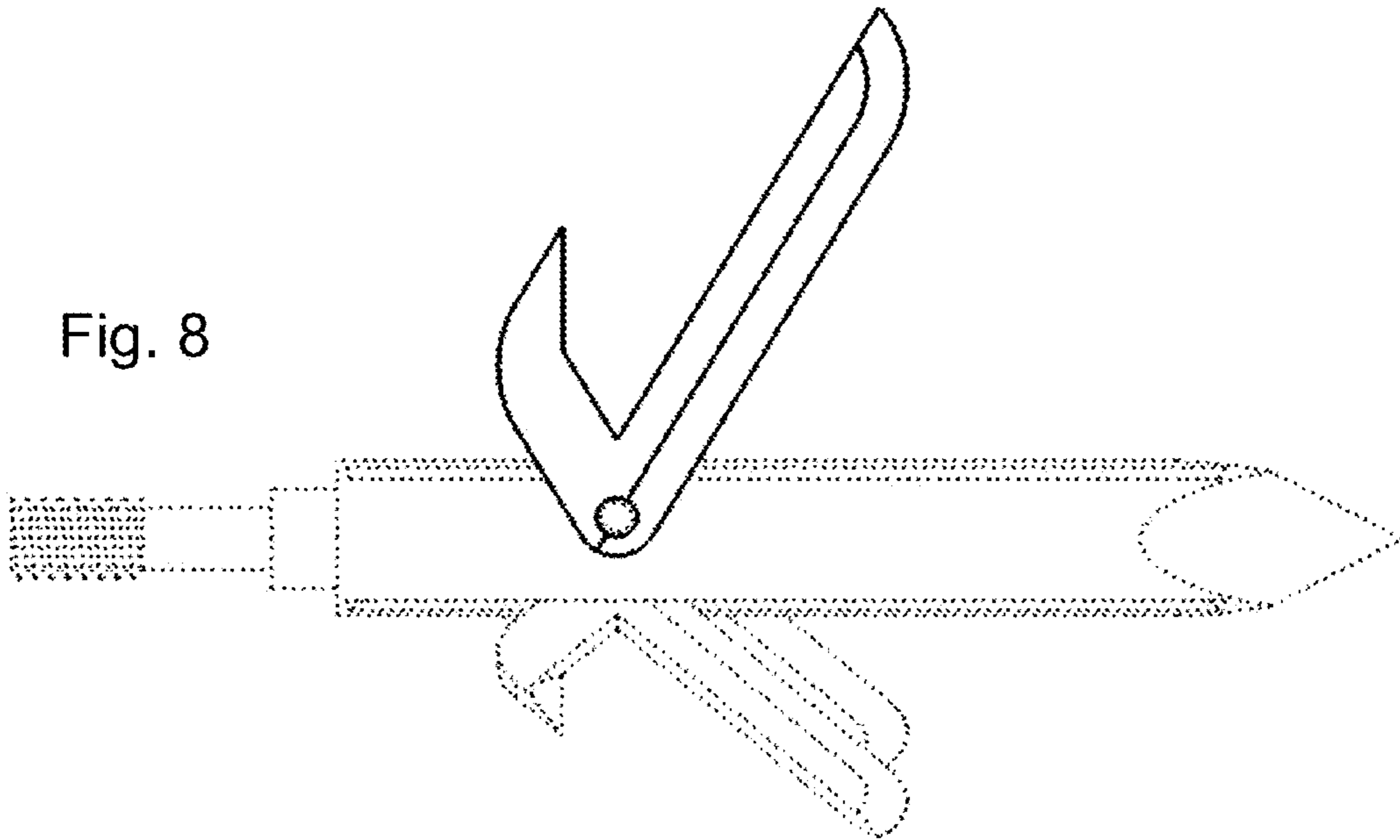


Fig. 9

