



US00D751162S

(12) **United States Design Patent**
Jacobs

(10) **Patent No.:** **US D751,162 S**
(45) **Date of Patent:** **** Mar. 8, 2016**

- (54) **SLING FOR ARCHERY BOW**
- (71) Applicant: **Jeeb, Inc.**, Cable, WI (US)
- (72) Inventor: **Bobby Jacobs**, Cable, WI (US)
- (73) Assignee: **Jeeb, Inc.**, Cable, WI (US)
- (**) Term: **14 Years**
- (21) Appl. No.: **29/501,710**
- (22) Filed: **Sep. 8, 2014**

D360,672	S	*	7/1995	Morton	D22/106
D402,731	S	*	12/1998	Mahan	D22/106
5,894,672	A		4/1999	Ellenburg et al.		
6,053,156	A	*	4/2000	Boon	F41B 3/02
						124/20.1
6,209,531	B1	*	4/2001	Boon	F41B 3/02
						124/20.1
6,786,213	B1	*	9/2004	Lee	F41B 3/02
						124/20.1
8,025,047	B2		9/2011	Saunders		
8,347,870	B1		1/2013	Mahutga		
2009/0095270	A1		4/2009	Graves		
2010/0031946	A1		2/2010	LoRocco		
2013/0284159	A1		10/2013	Jacobs		

* cited by examiner

Related U.S. Application Data

- (62) Division of application No. 29/446,079, filed on Feb. 20, 2013, now Pat. No. Des. 715,883.
- (51) **LOC (10) Cl.** **22-01**
- (52) **U.S. Cl.**
USPC **D22/106**
- (58) **Field of Classification Search**
USPC D22/106
CPC F41B 3/00; F41B 3/02; F41B 3/03;
F41B 5/0094
See application file for complete search history.

Primary Examiner — Michael A Pratt

(74) *Attorney, Agent, or Firm* — Lerner, David, Littenberg, Krumholz & Mentlik, LLP

(57) **CLAIM**

The ornamental design for a sling for archery bow, as shown and described.

DESCRIPTION

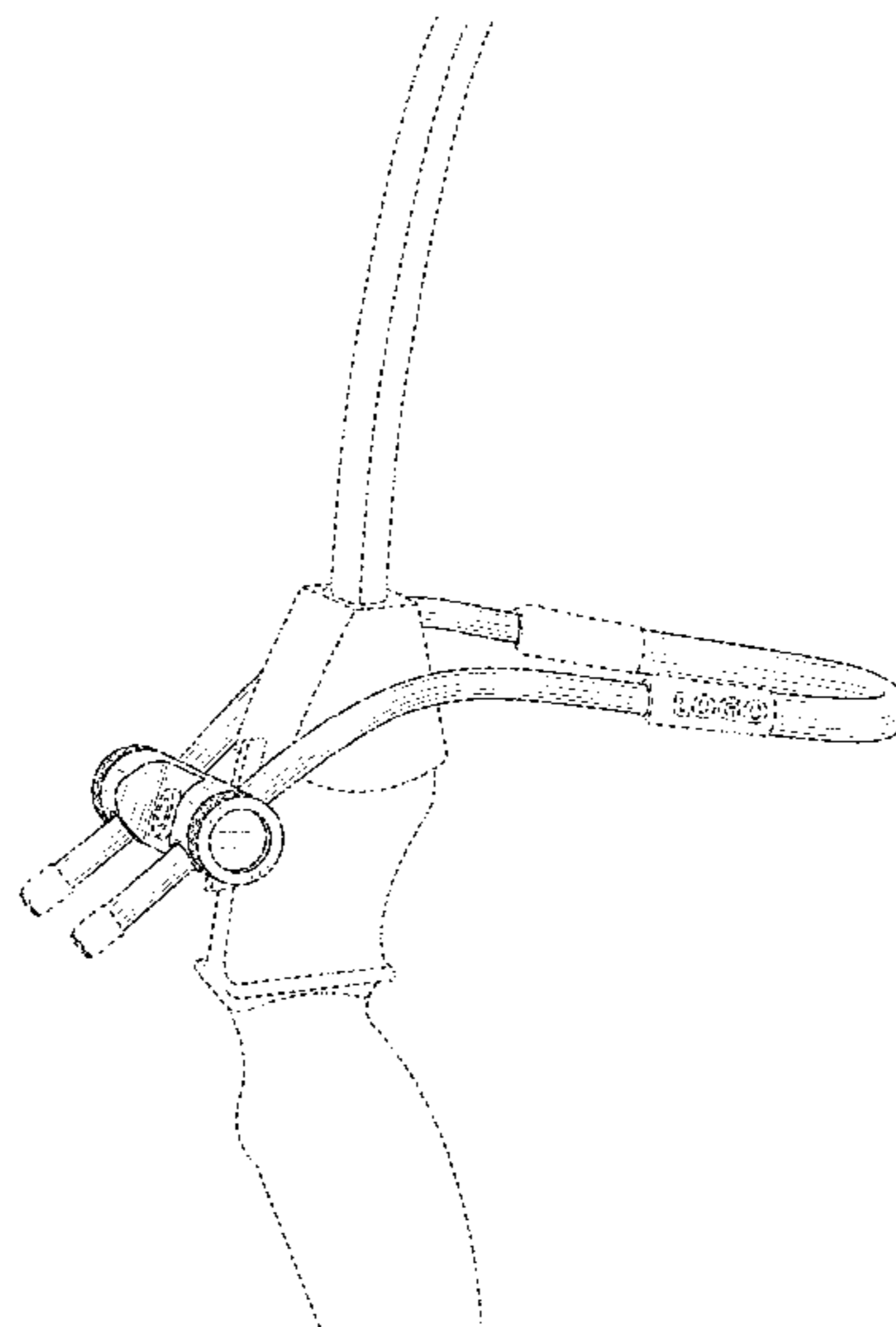
FIG. 1 is a perspective view of one embodiment of the sling for archery bow, in accordance with the present invention; FIG. 2 is a front elevation view of the embodiment shown in FIG. 1; FIG. 3 is a rear elevation view of the embodiment shown in FIG. 1; FIG. 4 is a right side elevation view of the embodiment shown in FIG. 1, the left side being a mirror image thereof; and, FIG. 5 is a top plan view of the embodiment shown in FIG. 1. The archery bow depicted in FIG. 1 is shown in broken line for environmental purposes only and as such forms no part of the claimed invention. Certain aspects of the sling for archery bow are shown in broken line for illustrative purposes only and as such form no part of the claimed invention.

1 Claim, 4 Drawing Sheets

(56) **References Cited**

U.S. PATENT DOCUMENTS

3,018,770	A	*	1/1962	Saunders	F41B 3/02
						124/20.3
3,055,354	A		9/1962	Gates		
3,572,312	A		3/1971	Foster		
3,812,834	A		5/1974	Saunders		
4,273,094	A	*	6/1981	Hogan	F41B 3/02
						124/16
4,714,071	A		12/1987	Saunders		
4,836,177	A		6/1989	Williams		
5,065,732	A		11/1991	Smith		
D352,337	S	*	11/1994	Nagel	D22/106
D353,182	S	*	12/1994	Rubin	D22/106



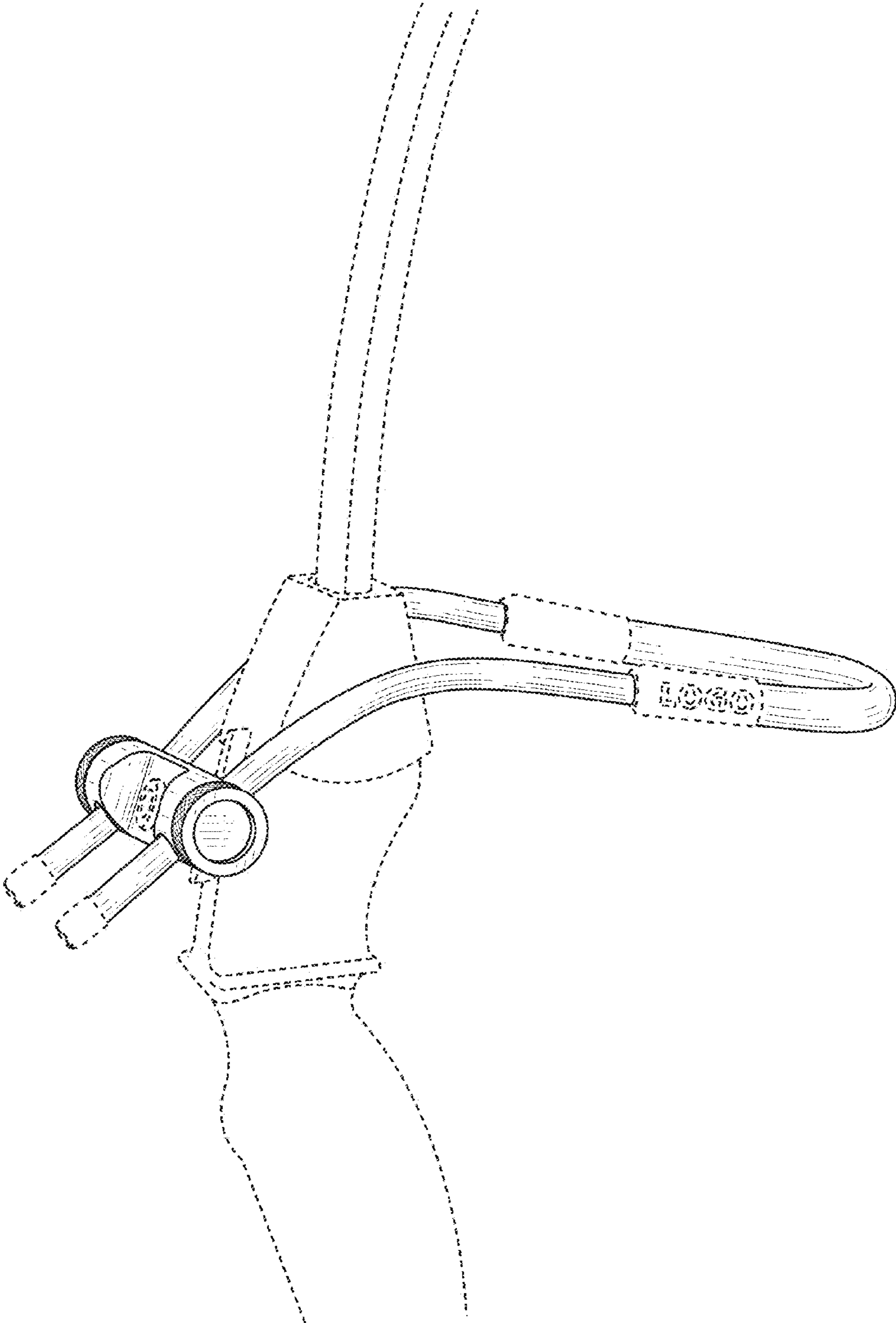


FIG. 1

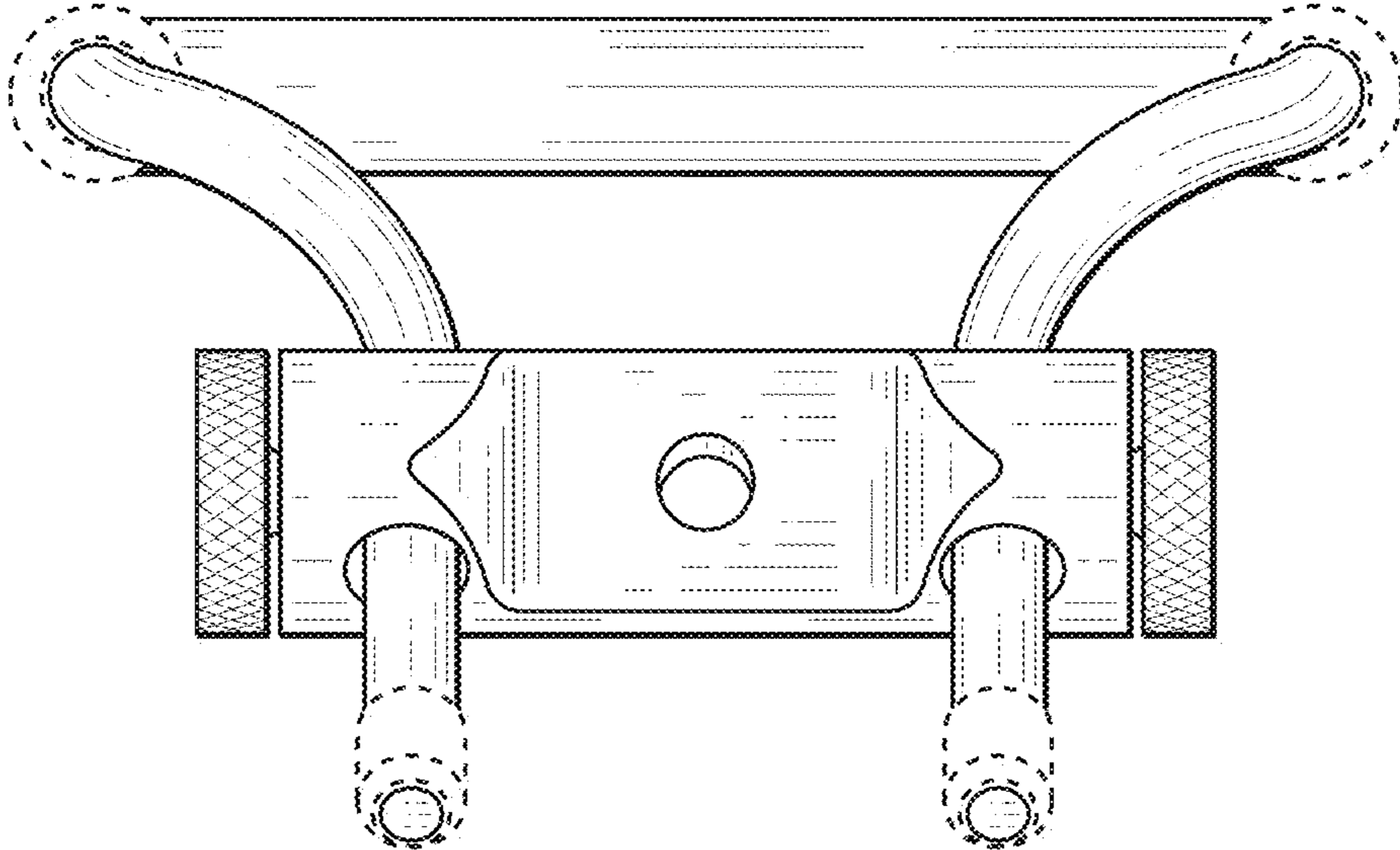


FIG. 2

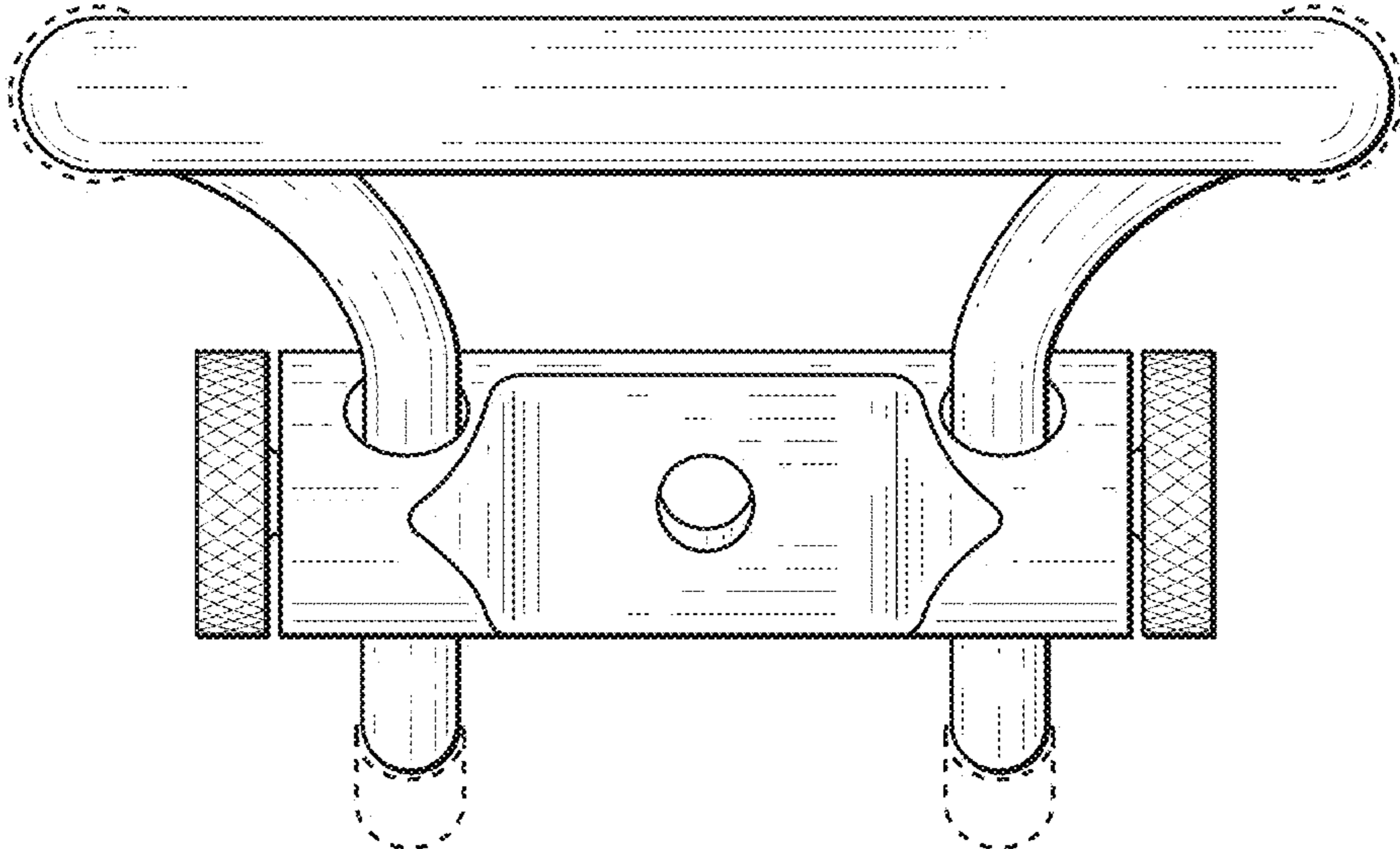


FIG. 3

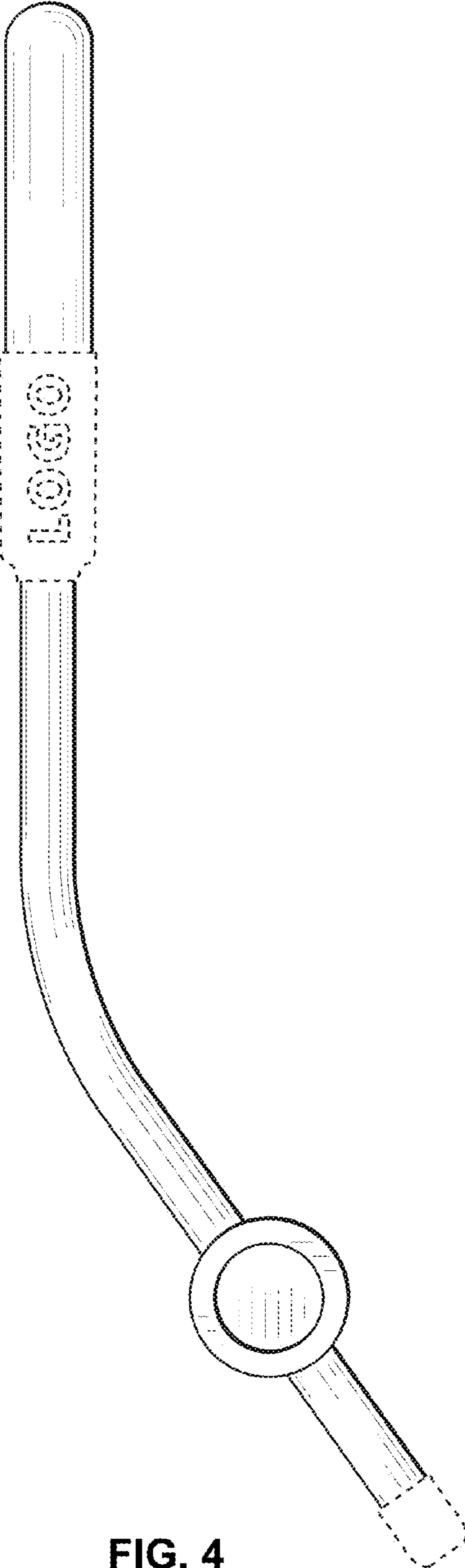


FIG. 4

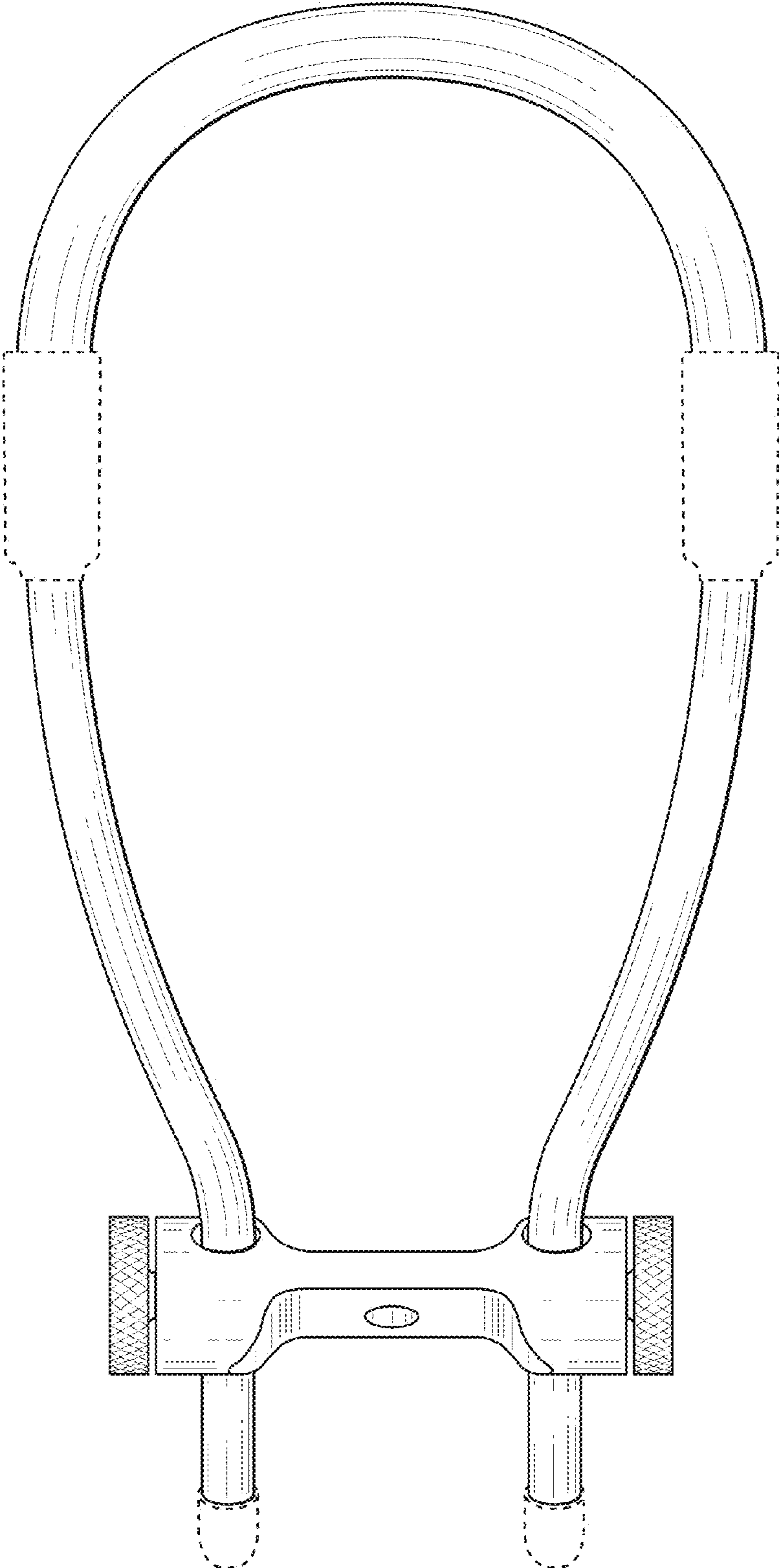


FIG. 5