



US00D751160S

(12) **United States Design Patent**  
**Tian et al.**

(10) **Patent No.:** **US D751,160 S**  
(45) **Date of Patent:** **\*\* Mar. 8, 2016**

(54) **ELECTRIC SKATEBOARD**

(71) Applicants: **Yu Tian**, Hong Kong (CN); **Wenyan Jiang**, Hong Kong (CN)

(72) Inventors: **Yu Tian**, Hong Kong (CN); **Wenyan Jiang**, Hong Kong (CN)

(73) Assignee: **Yuneeec Technology Co. Limited**,  
Kowloon (HK)

(\*\*) Term: **14 Years**

(21) Appl. No.: **29/479,184**

(22) Filed: **Jan. 13, 2014**

(30) **Foreign Application Priority Data**

Jul. 17, 2013 (CN) ..... 2013 3 0334693

(51) **LOC (10) Cl.** ..... **21-02**

(52) **U.S. Cl.**  
USPC ..... **D21/765**

(58) **Field of Classification Search**  
USPC ..... D21/419, 421, 423, 426, 760, 765, 766,  
D21/769, 771, 776, 803; 280/7.14, 11.115,  
280/11.19, 11.27, 11.28, 14.21, 87.01,  
280/87.021, 87.03, 87.041, 87.042, 607,  
280/608, 609, 809; 180/180, 181, 167;  
434/247, 253, 258  
CPC .... A63C 17/01; A63C 17/011; A63C 17/012;  
A63C 17/014; A63C 17/015; A63C 17/02;  
A63C 17/26; A63C 5/003; A63B 69/0022;  
B60Q 1/326; B62K 3/001

See application file for complete search history.

(56) **References Cited**

U.S. PATENT DOCUMENTS

D558,290	S	*	12/2007	Findling	.....	D21/765
D629,859	S	*	12/2010	Buksa	.....	D21/765
D679,768	S	*	4/2013	Dye	.....	D21/765
8,550,480	B1	*	10/2013	Bonilla	.....	280/87.042
D705,371	S	*	5/2014	Slater	.....	D21/765
2003/0155733	A1	*	8/2003	Tan et al.	.....	280/87.042
2014/0027192	A1	*	1/2014	King	.....	180/181
2014/0262574	A1	*	9/2014	Rodgers	.....	180/167

\* cited by examiner

*Primary Examiner* — Cynthia M Chin

(74) *Attorney, Agent, or Firm* — James M. Wu; JW Law Group

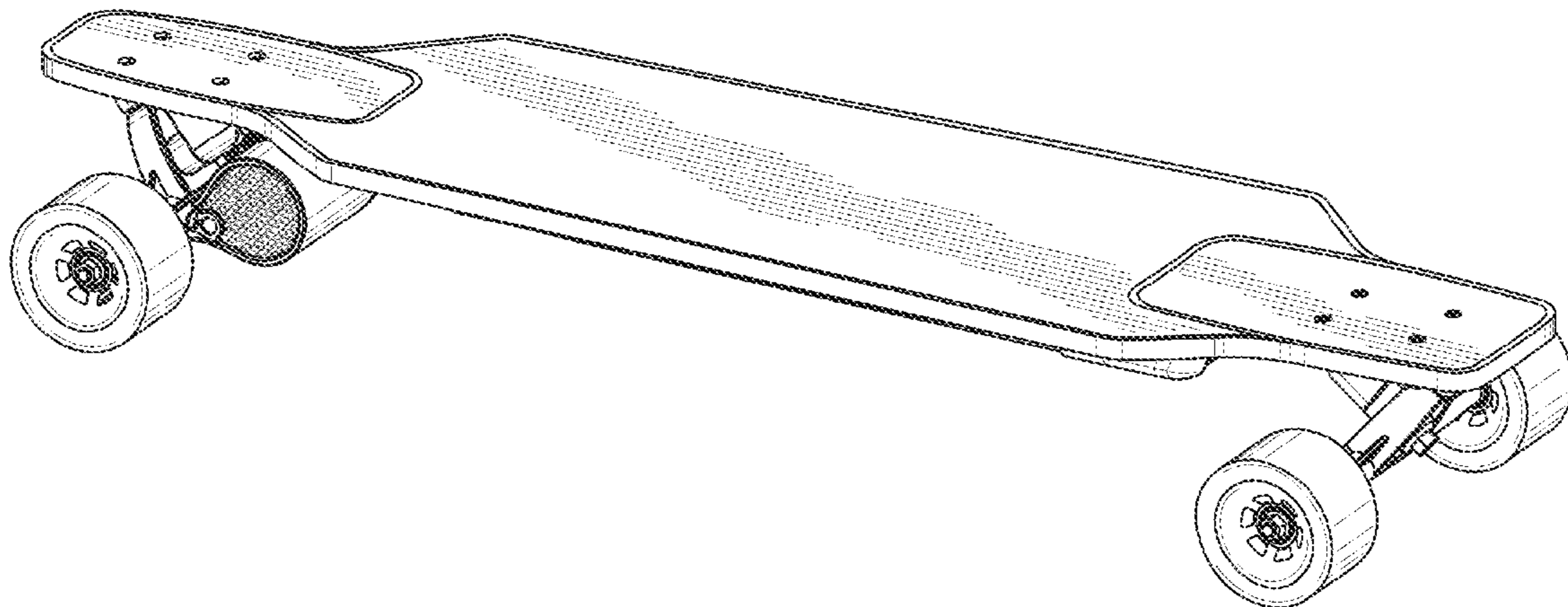
(57) **CLAIM**

The ornamental design for an electric skateboard, as shown and described.

**DESCRIPTION**

FIG. 1 is a top plan view of an electric skateboard having an electrically powered propulsion mechanism;  
FIG. 2 is a front elevation view thereof;  
FIG. 3 is a back elevation view thereof;  
FIG. 4 is a bottom plan view thereof;  
FIG. 5 is a left side-view thereof;  
FIG. 6 is a right side-view thereof; and,  
FIG. 7 is a three-dimensional perspective view thereof.

**1 Claim, 6 Drawing Sheets**



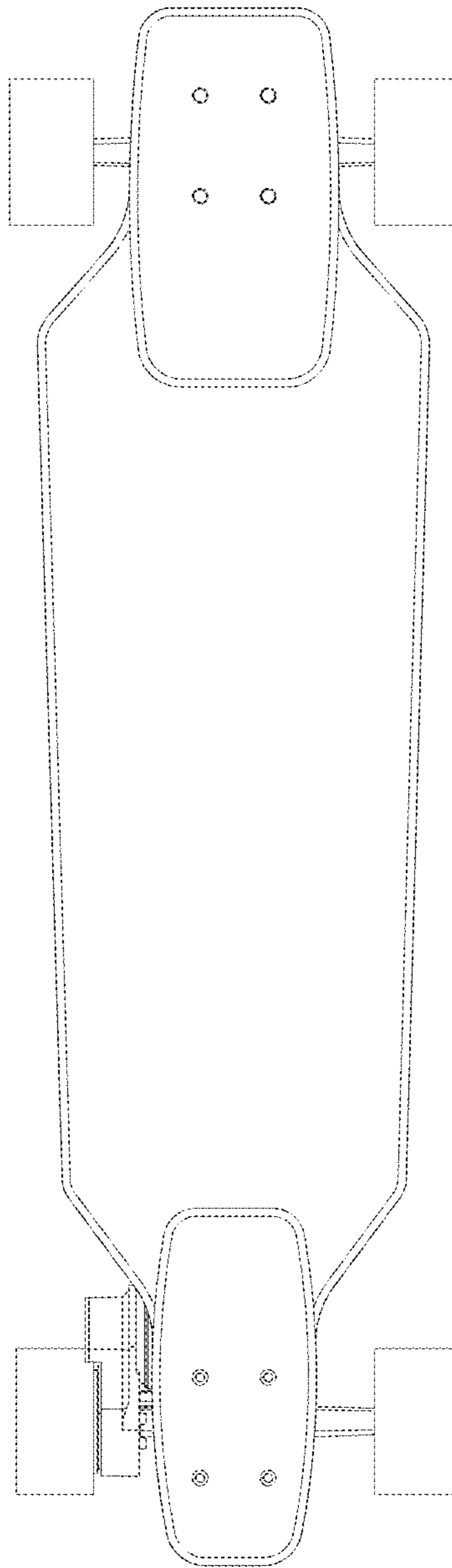


FIG. 1

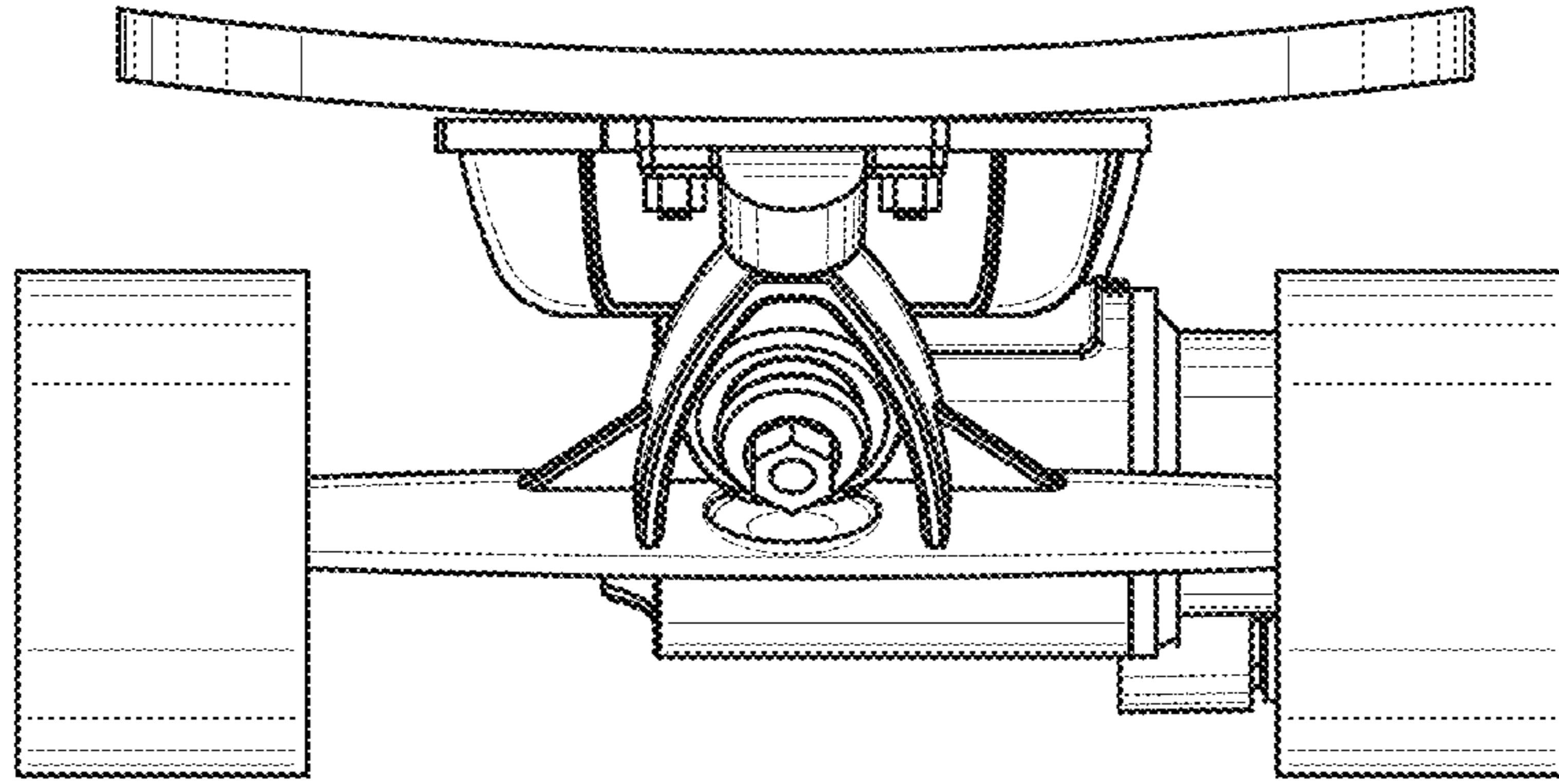


FIG. 2

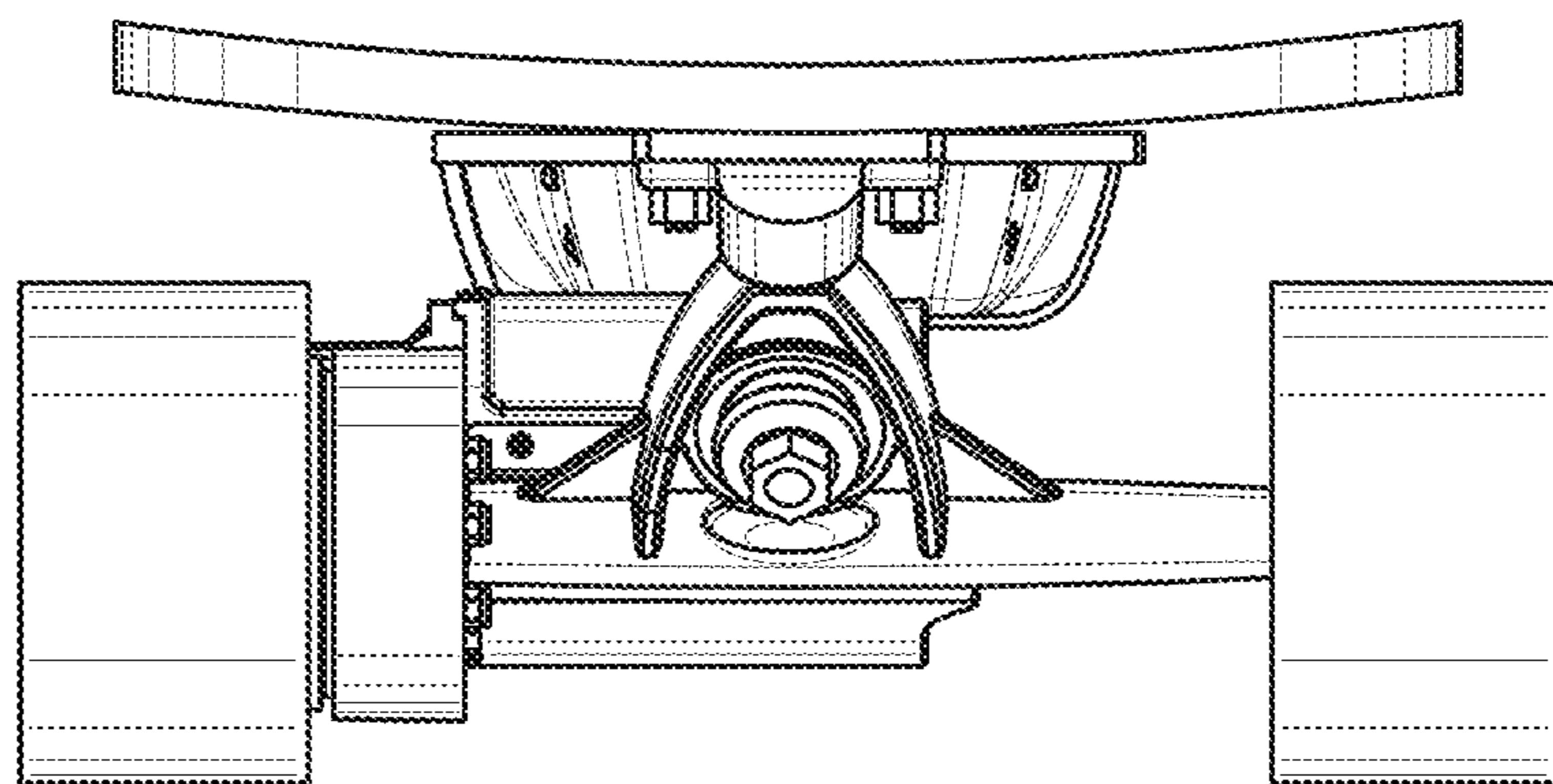


FIG. 3

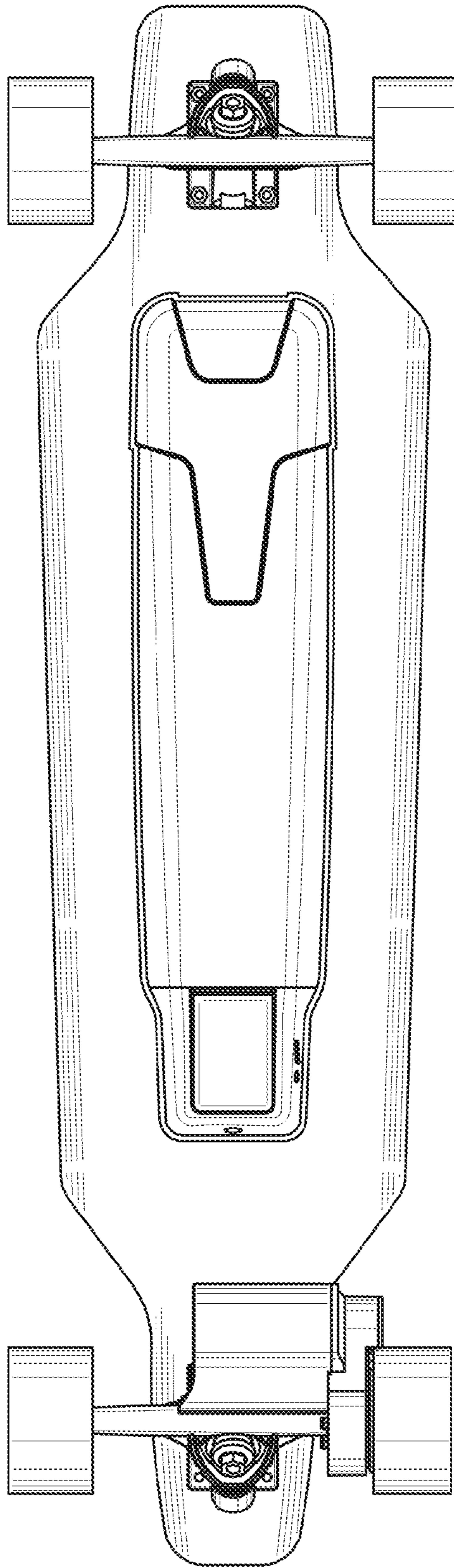


FIG. 4

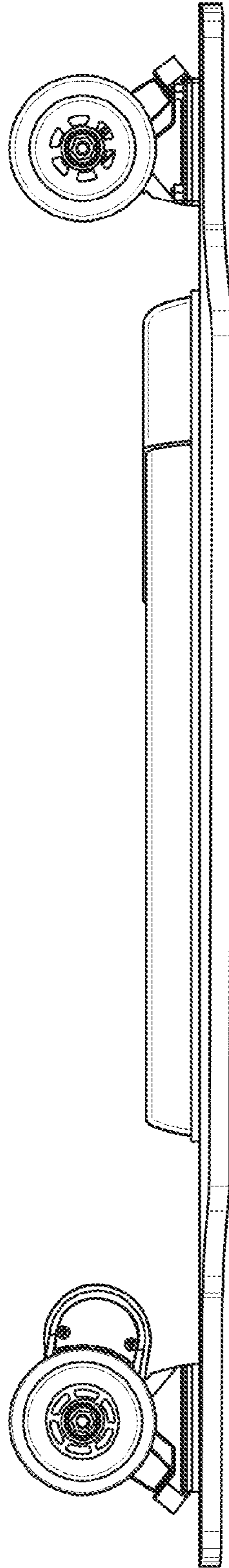


FIG. 5

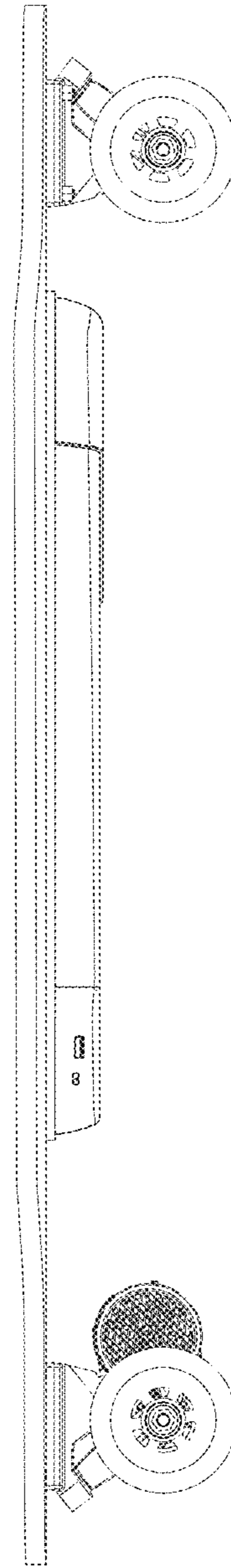


FIG. 6

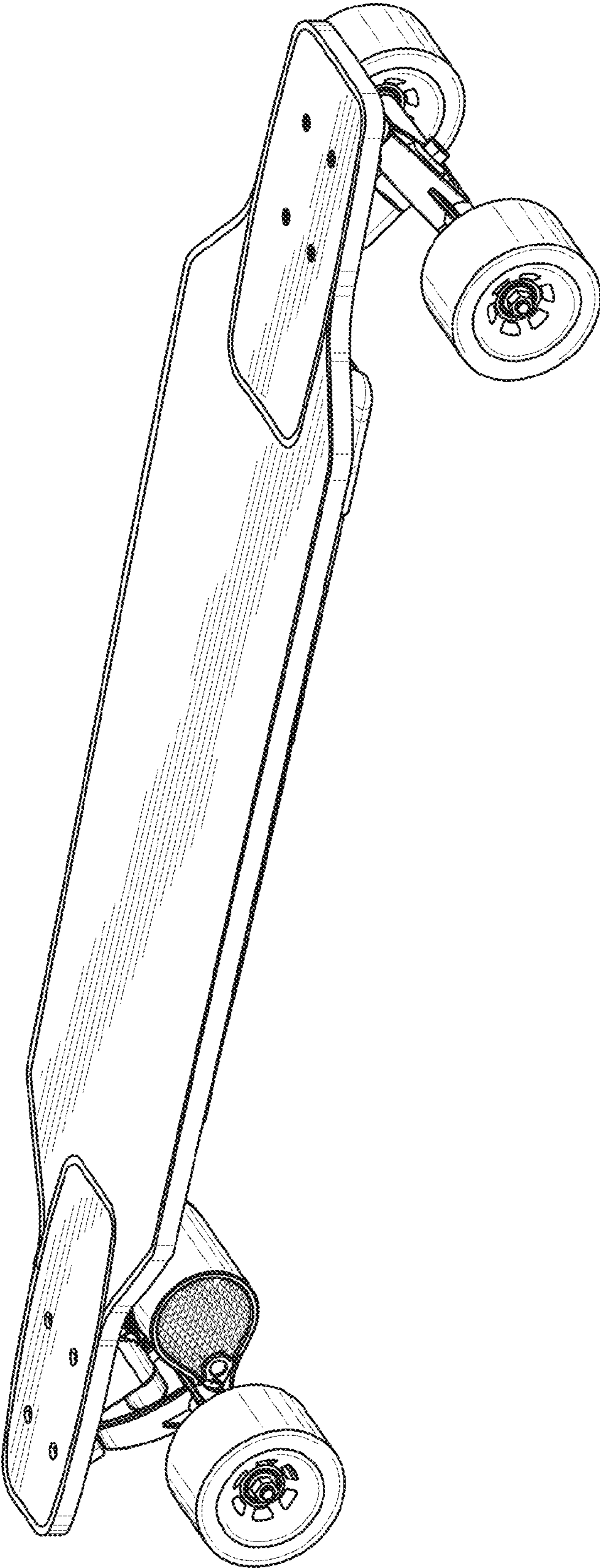


FIG. 7