

US00D751159S

(12) **United States Design Patent**
Holman

(10) **Patent No.:** **US D751,159 S**

(45) **Date of Patent:** **** *Mar. 8, 2016**

(54) **TWO-SIDED PUTTER**

(71) Applicant: **Tim Holman**, Oceanside, CA (US)

(72) Inventor: **Tim Holman**, Oceanside, CA (US)

(*) Notice: This patent is subject to a terminal disclaimer.

(**) Term: **14 Years**

(21) Appl. No.: **29/495,269**

(22) Filed: **Jun. 30, 2014**

(51) **LOC (10) Cl.** **21-02**

(52) **U.S. Cl.**
USPC **D21/736**

(58) **Field of Classification Search**
USPC D21/736-746
CPC A63B 53/065; A63B 53/0487
See application file for complete search history.

(56) **References Cited**

U.S. PATENT DOCUMENTS

5,595,385 A * 1/1997 Jablonski 473/295
D408,065 S * 4/1999 Broadbridge D21/736

D435,072 S * 12/2000 Jaeckel D21/738
D468,381 S * 1/2003 Parker D21/738
D570,933 S * 6/2008 Kramski D21/742
D680,602 S * 4/2013 Holman D21/738
D682,957 S * 5/2013 Welch et al. D21/736

* cited by examiner

Primary Examiner — Mitchell Siegel

(74) *Attorney, Agent, or Firm* — Steven W. Webb

(57) **CLAIM**

I claim the ornamental design for the improved two-sided putter, as shown and described.

DESCRIPTION

FIG. 1 is a perspective view of the improved two-sided putter. FIG. 2 is a front elevational view of the two-sided putter, the undisclosed opposite side being identical.

FIG. 3 is the top view of the improved two-sided putter.

FIG. 4 is the bottom view of the improved two-sided putter; and,

FIG. 5 is an end view of the two-sided putter.

The broken line showing of the fragmented shaft on FIG. 1 is included for the purpose of illustrating and forms no part of the claimed design.

1 Claim, 3 Drawing Sheets

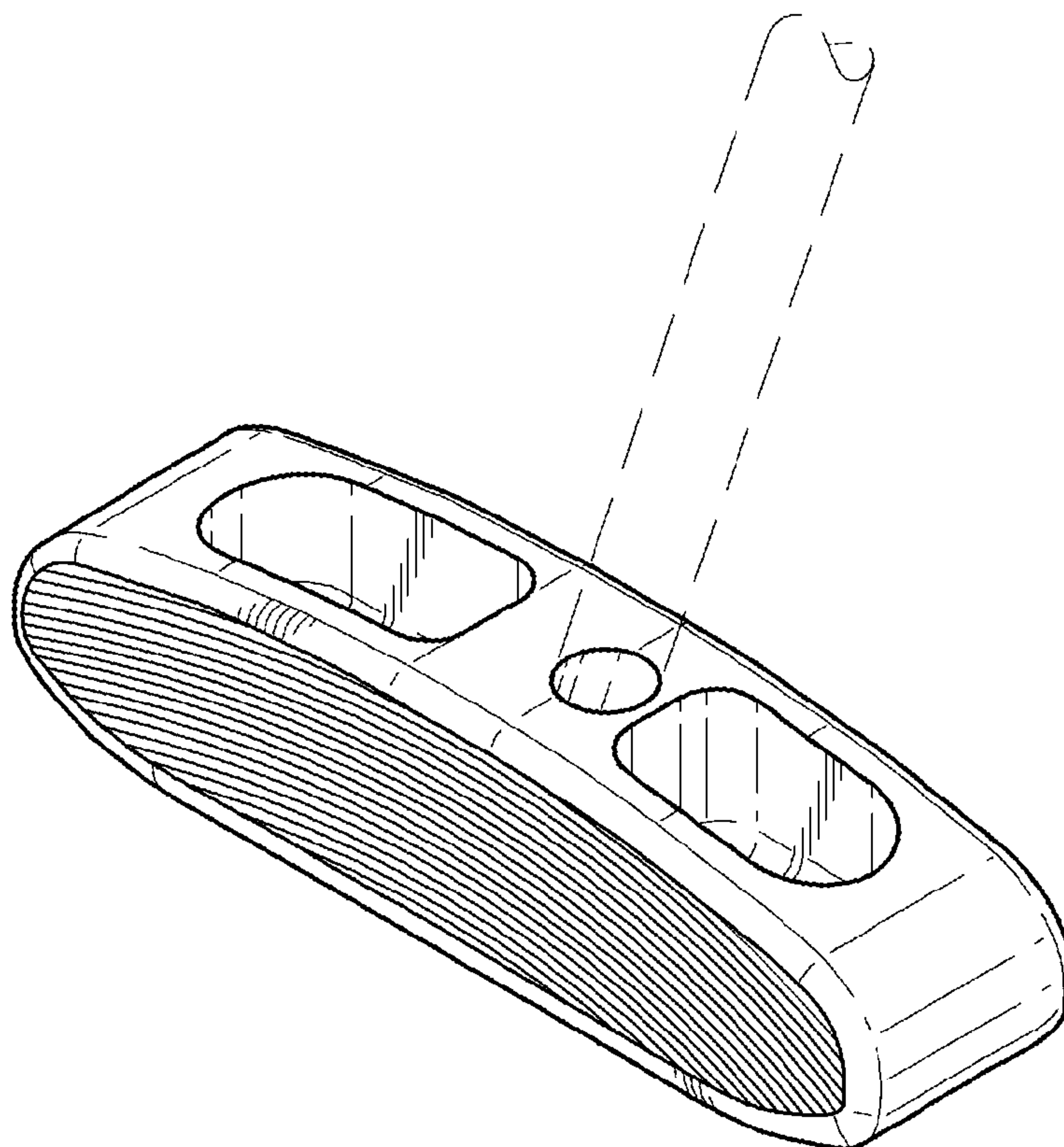


FIG. 1

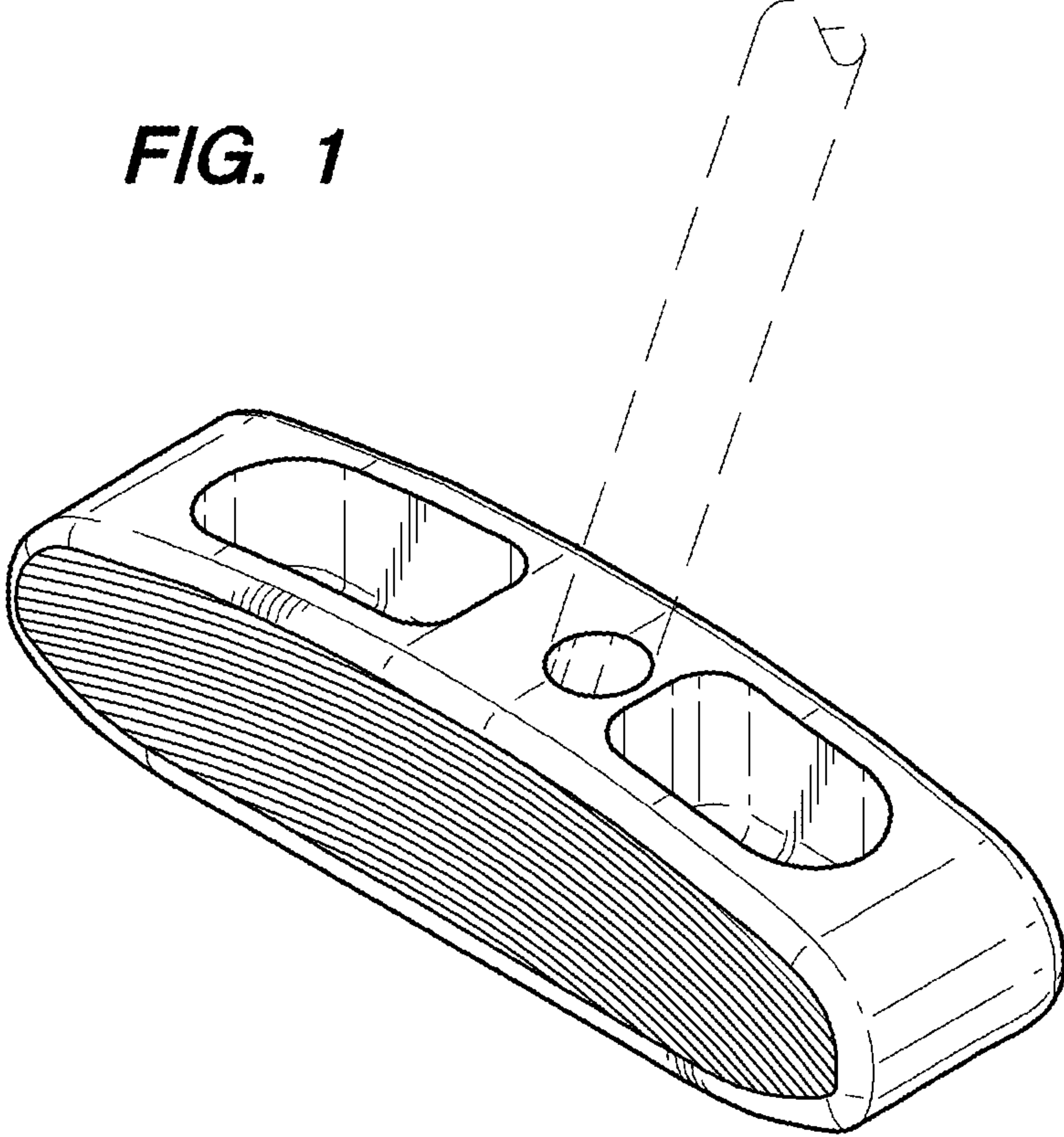


FIG. 2

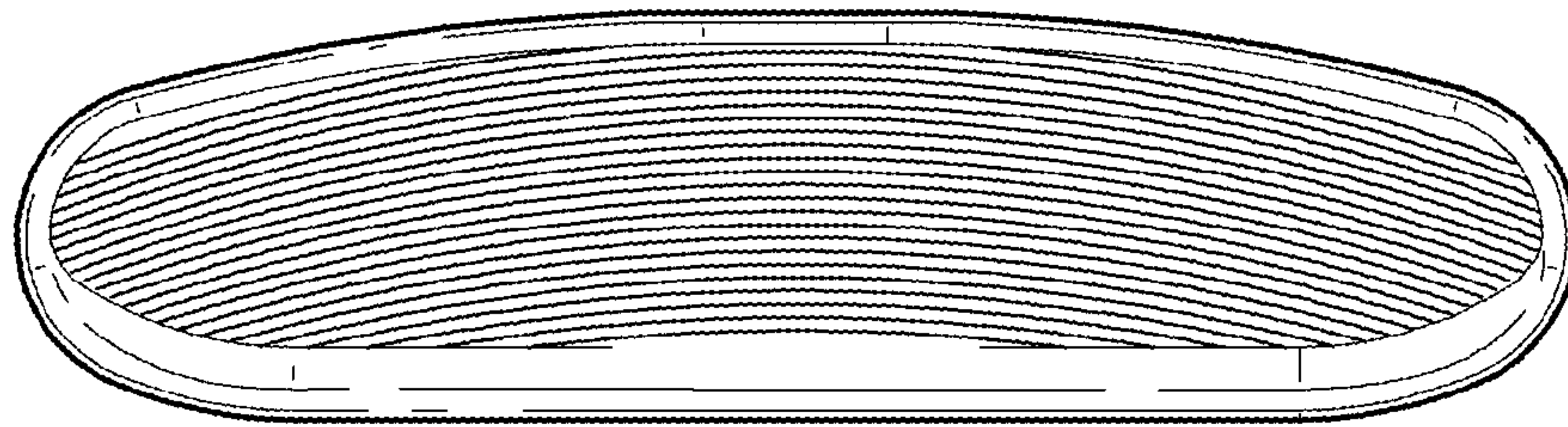


FIG. 3

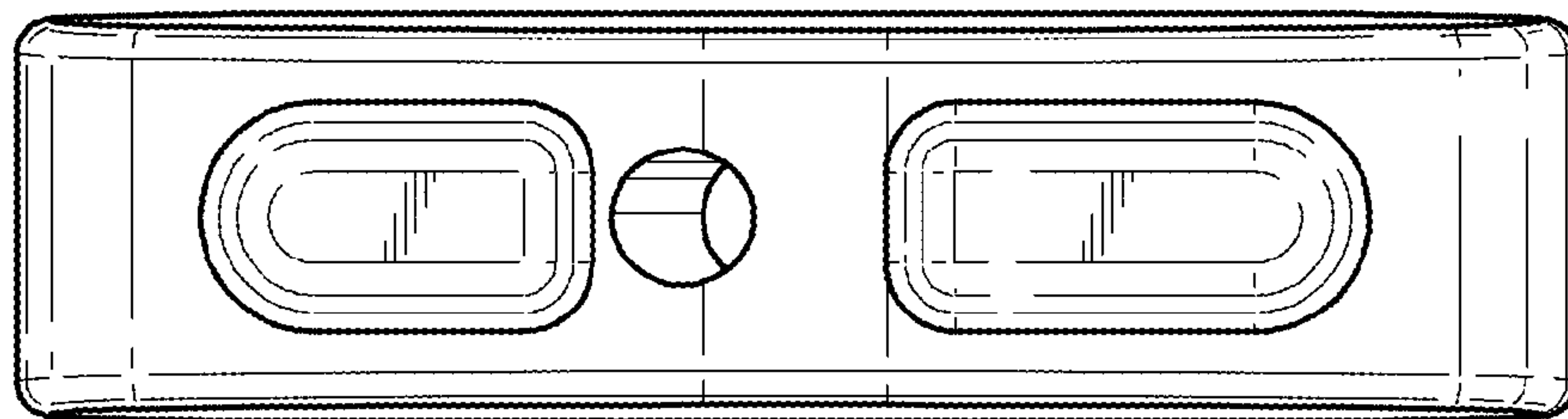


FIG. 4

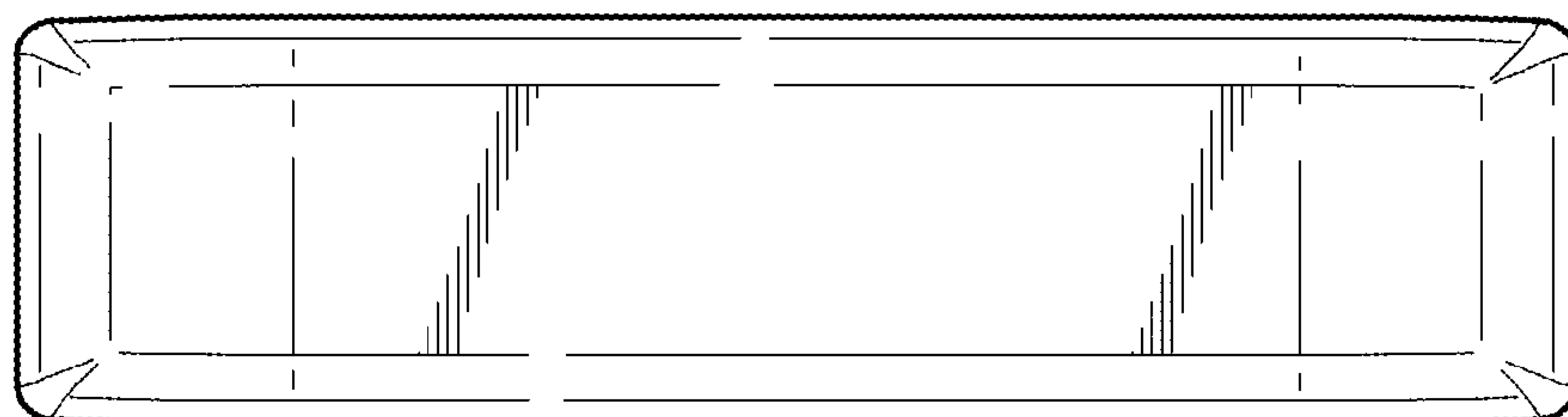


FIG. 5

