



US00D751158S

(12) **United States Design Patent**
Rice et al.

(10) **Patent No.:** **US D751,158 S**
(45) **Date of Patent:** **** Mar. 8, 2016**

(54) **PAINTBALL GRENADE**

(71) Applicant: **Tippmann Sports LLC**, Fort Wayne, IN (US)

(72) Inventors: **Corey Rice**, Fort Wayne, IN (US);
Dennis J. Tippmann, Jr., Fort Wayne, IN (US)

(73) Assignee: **Tippmann Sports, LLC**, Fort Wayne, IN (US)

(**) Term: **14 Years**

(21) Appl. No.: **29/458,366**

(22) Filed: **Jun. 19, 2013**

(51) **LOC (10) Cl.** **21-02**

(52) **U.S. Cl.**
USPC **D21/707**

(58) **Field of Classification Search**
USPC D21/398, 405, 408, 440, 570, 572, 707,
D21/714; D22/112, 115, 117; D9/600, 680,
D9/682, 685; D7/506, 515, 300-302, 593,
D7/594, 599, 675; 446/4, 5, 23, 24, 76, 81,
446/186-188, 197, 220, 222, 267, 400, 401,
446/405-407, 473, 475, 483, 486, 487;
102/502, 513, 482, 368; 473/569-577,
473/594-596

See application file for complete search history.

(56) **References Cited**

U.S. PATENT DOCUMENTS

2,084,994	A *	6/1937	Allen	102/368
2,417,437	A *	3/1947	Nicholas	102/364
2,897,630	A *	8/1959	Horowitz et al.	446/401
3,361,065	A *	1/1968	Litman	102/368
4,932,329	A *	6/1990	Logie	102/498
4,932,672	A	6/1990	Tippmann	
4,944,521	A	7/1990	Greeno	

5,018,449	A	5/1991	Eidson, II	
D335,901	S *	5/1993	Gill, III	D21/440
5,886,288	A *	3/1999	Brunn	102/482
D472,800	S *	4/2003	Levanen et al.	D9/680
6,598,807	B1	7/2003	Anzalone	
6,871,594	B1	3/2005	Estrella	
7,040,236	B2 *	5/2006	Oh	102/498
7,322,296	B2 *	1/2008	Ellis	102/498
7,338,343	B2 *	3/2008	Siu et al.	446/473
7,444,938	B2	11/2008	Tippmann	
7,565,866	B1	7/2009	Downes	
2004/0127311	A1	7/2004	Brock	
2008/0257193	A1 *	10/2008	Siu et al.	102/498
2009/0223405	A1 *	9/2009	Tippmann	102/513
2011/0306446	A1	12/2011	Frank	

FOREIGN PATENT DOCUMENTS

CN	301877770	*	4/2012
CN	302234374	*	12/2012

* cited by examiner

Primary Examiner — Catherine Tuttle

(74) *Attorney, Agent, or Firm* — Barnes & Thornburg LLP

(57) **CLAIM**

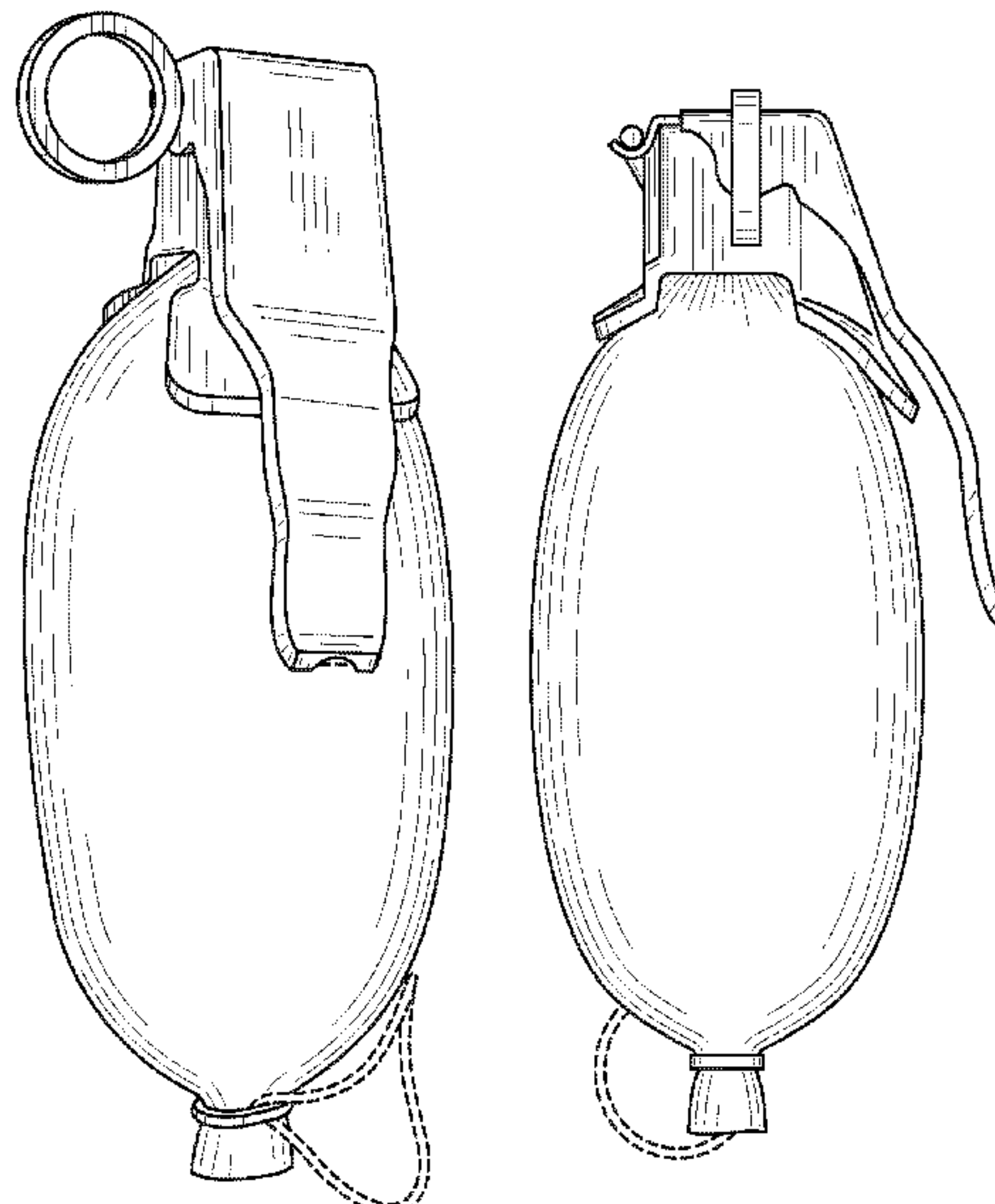
What is claimed is the ornamental design for a paintball grenade, as shown and described.

DESCRIPTION

FIG. 1 is a perspective view of our new design;
FIG. 2 is a front elevational view thereof;
FIG. 3 is a rear elevational view thereof;
FIG. 4 is the left side elevational view thereof;
FIG. 5 is a right side elevational view thereof,
FIG. 6 is a top view thereof; and,
FIG. 7 is a bottom view thereof.

The broken lines shown in the drawings are for purposes of illustrating portions of the paintball grenade that form no part of the claimed design.

1 Claim, 4 Drawing Sheets



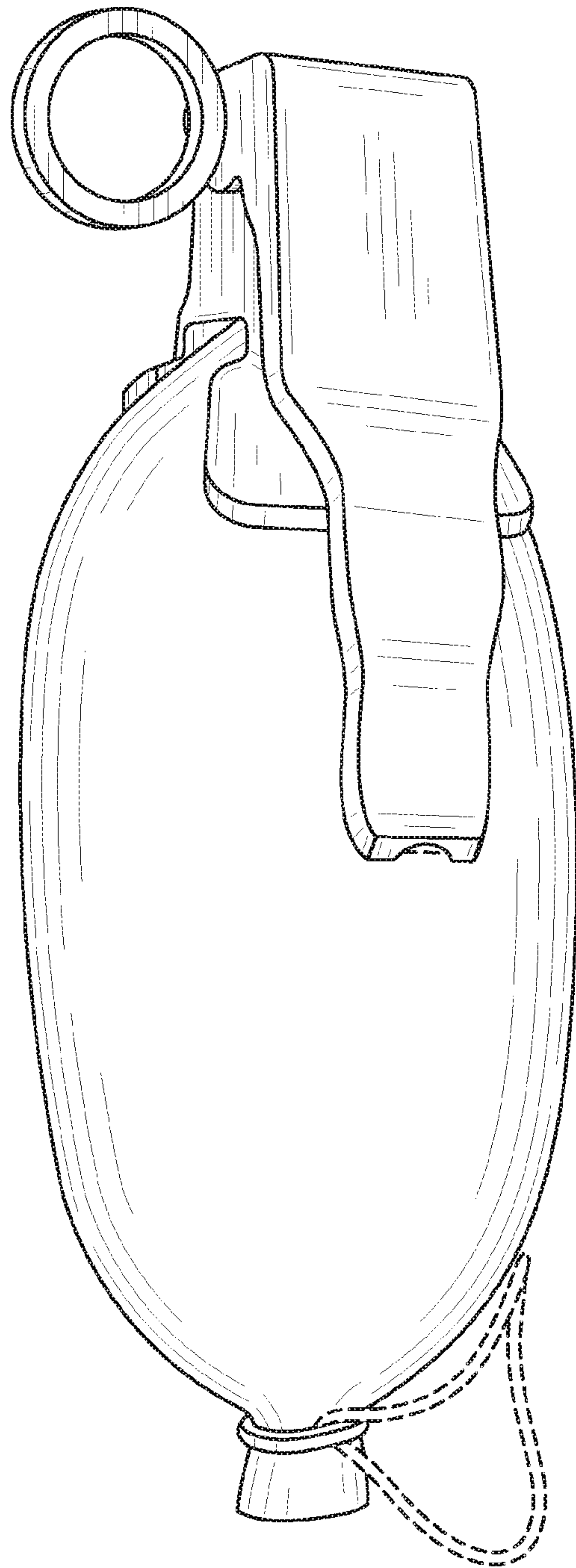


FIG. 1

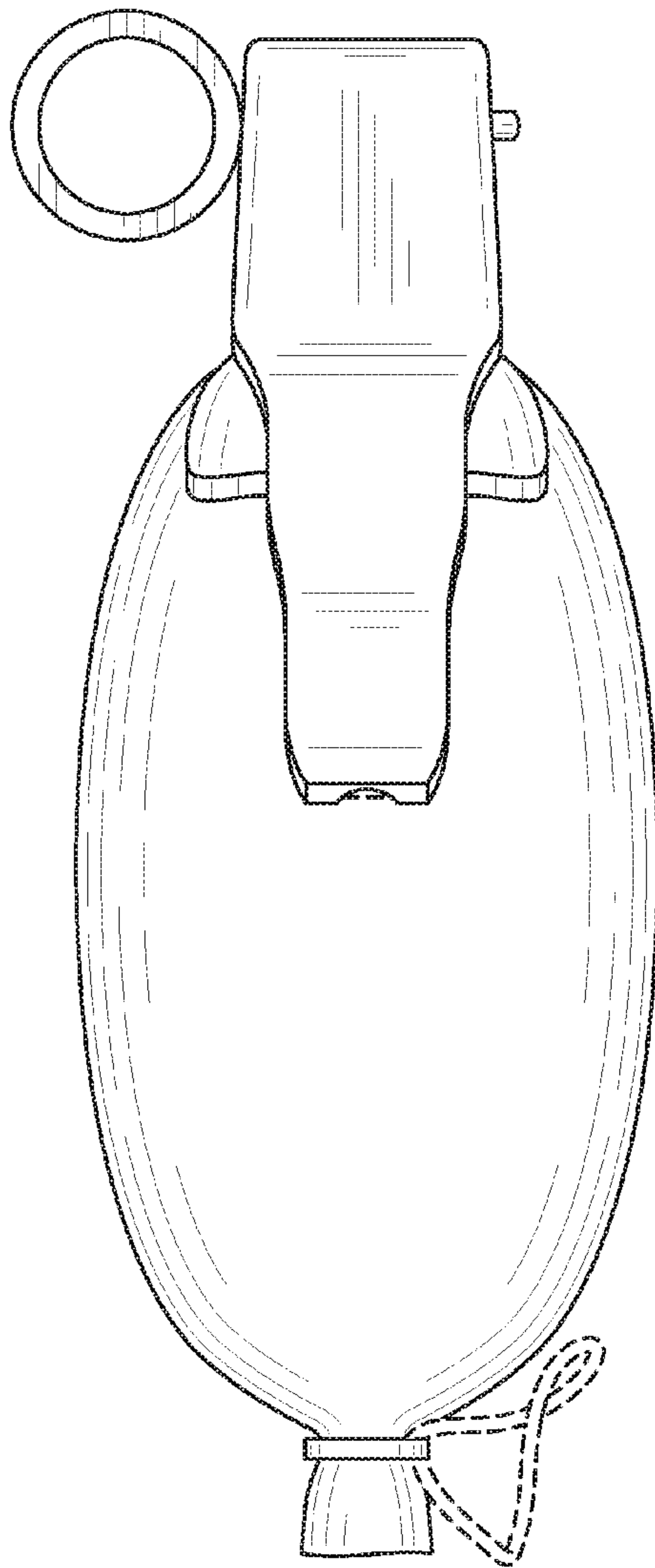


FIG. 2

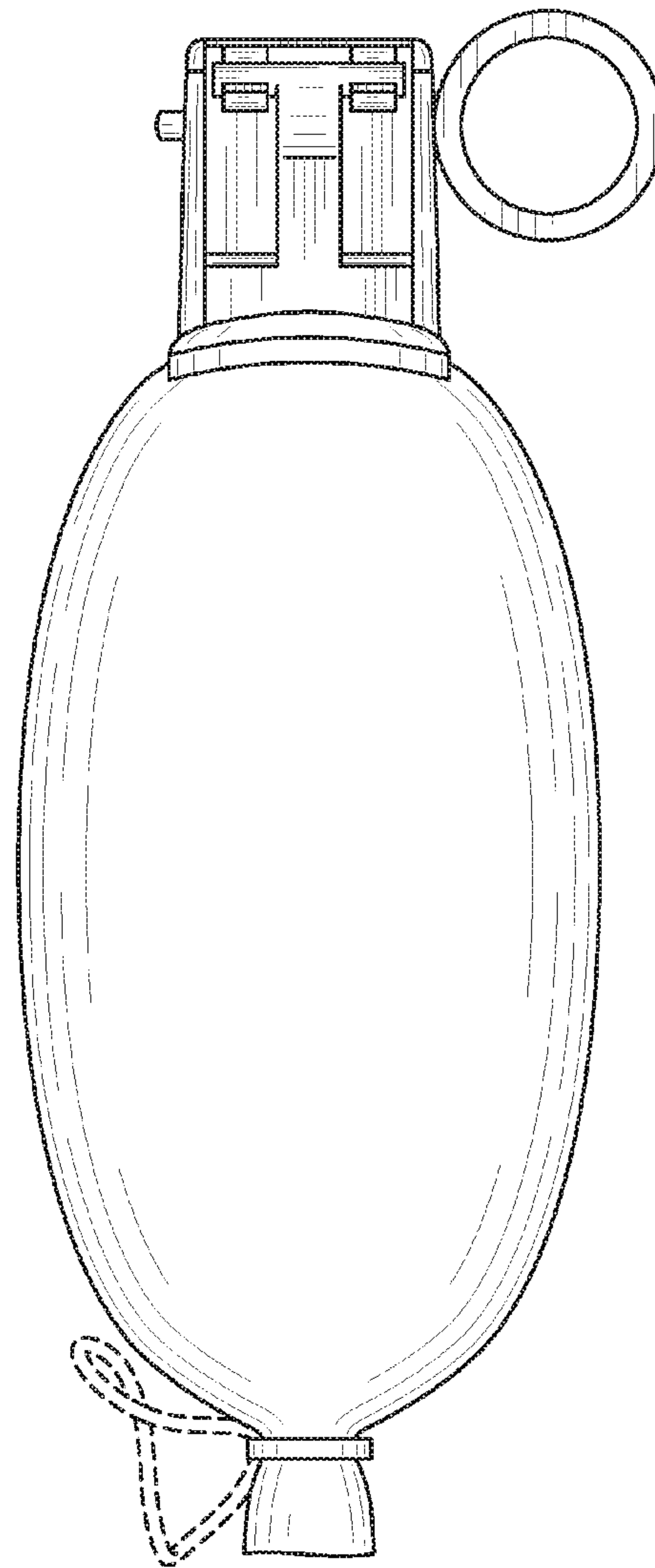


FIG. 3

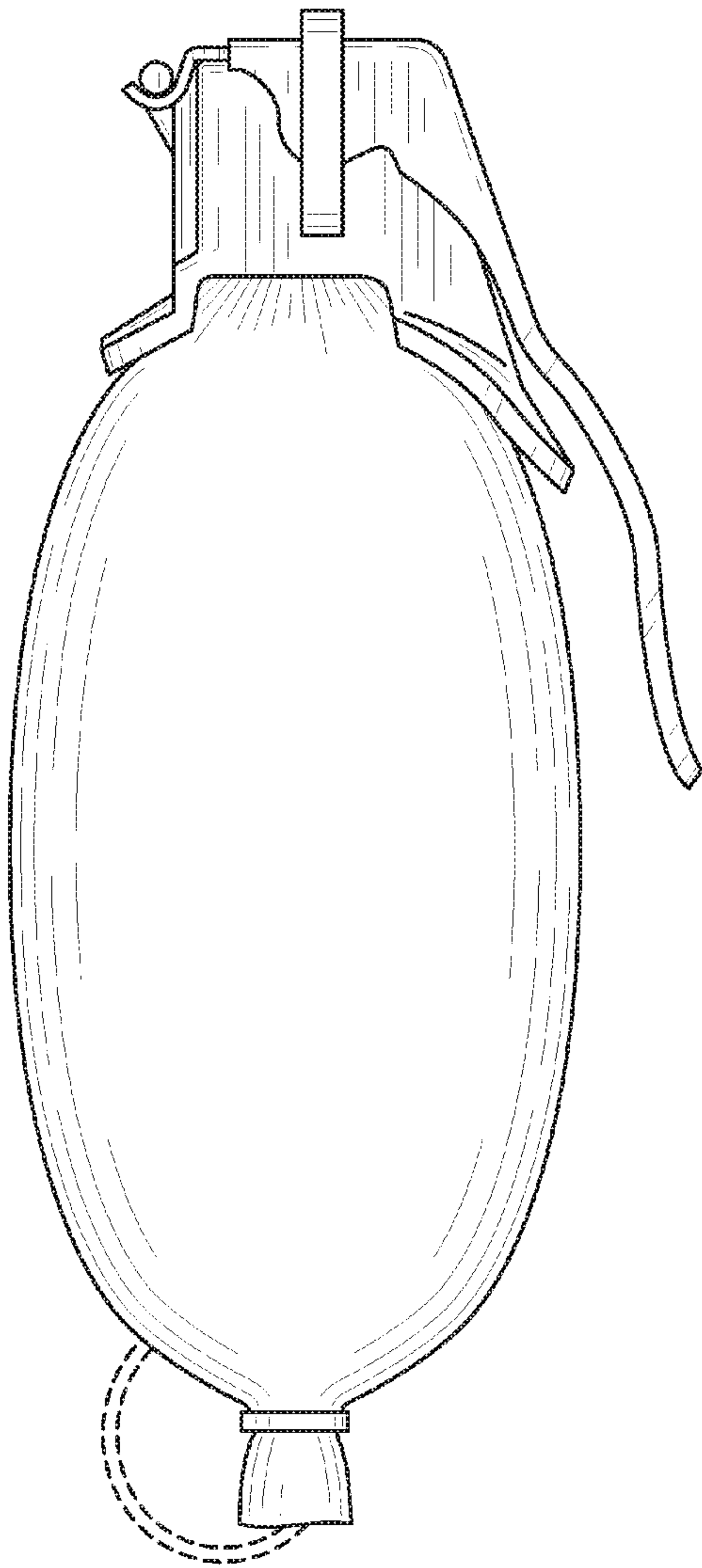


FIG. 4

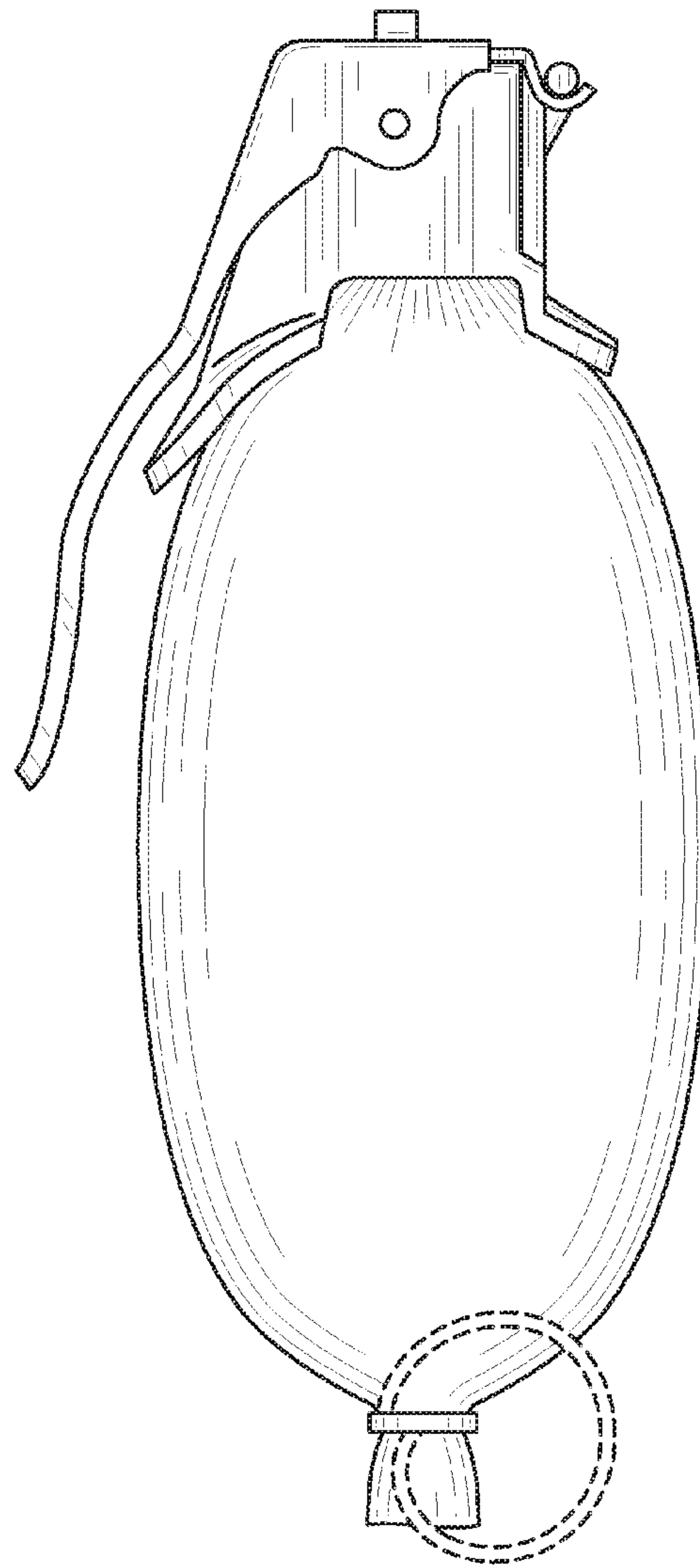


FIG. 5

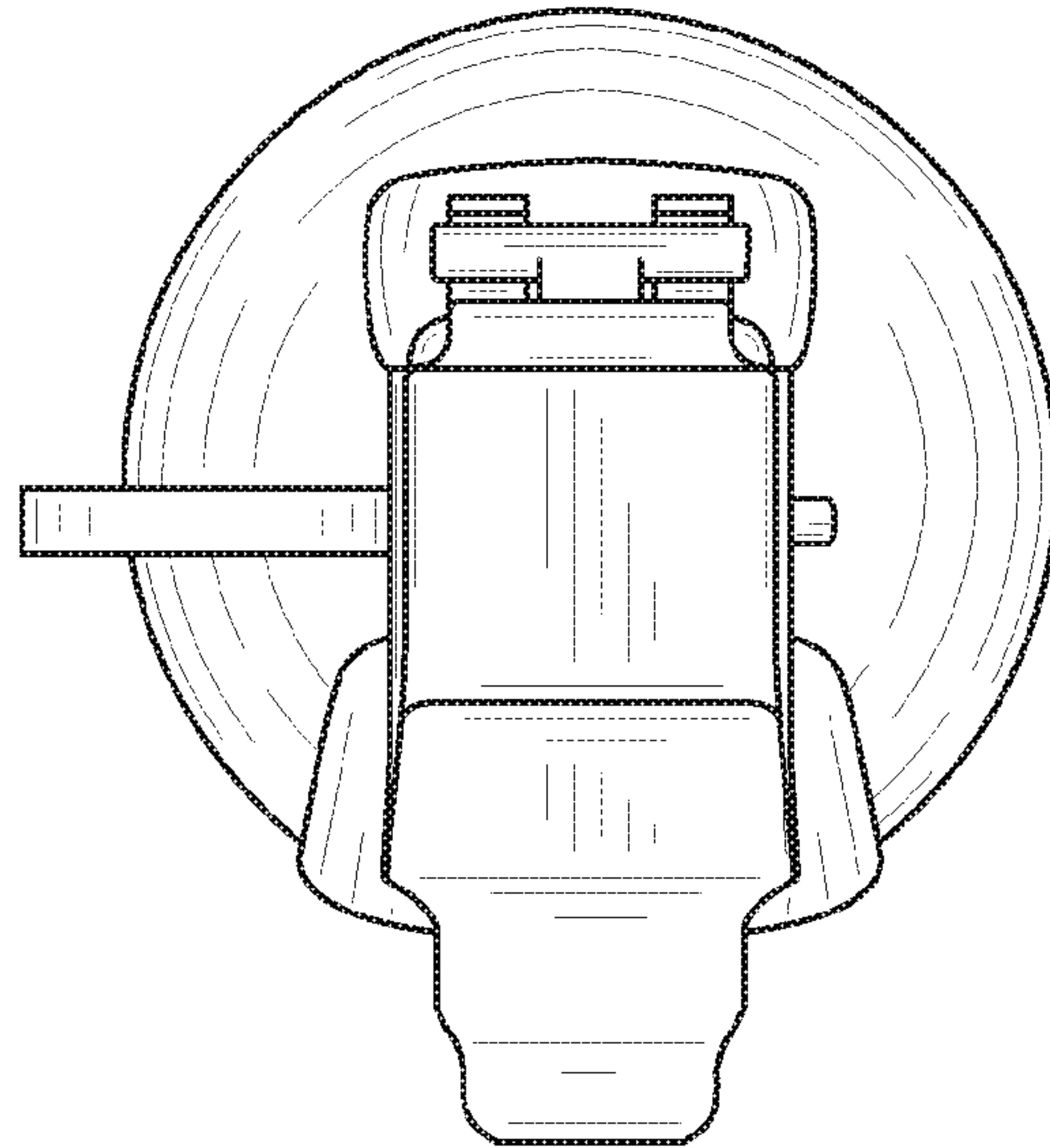


FIG. 6

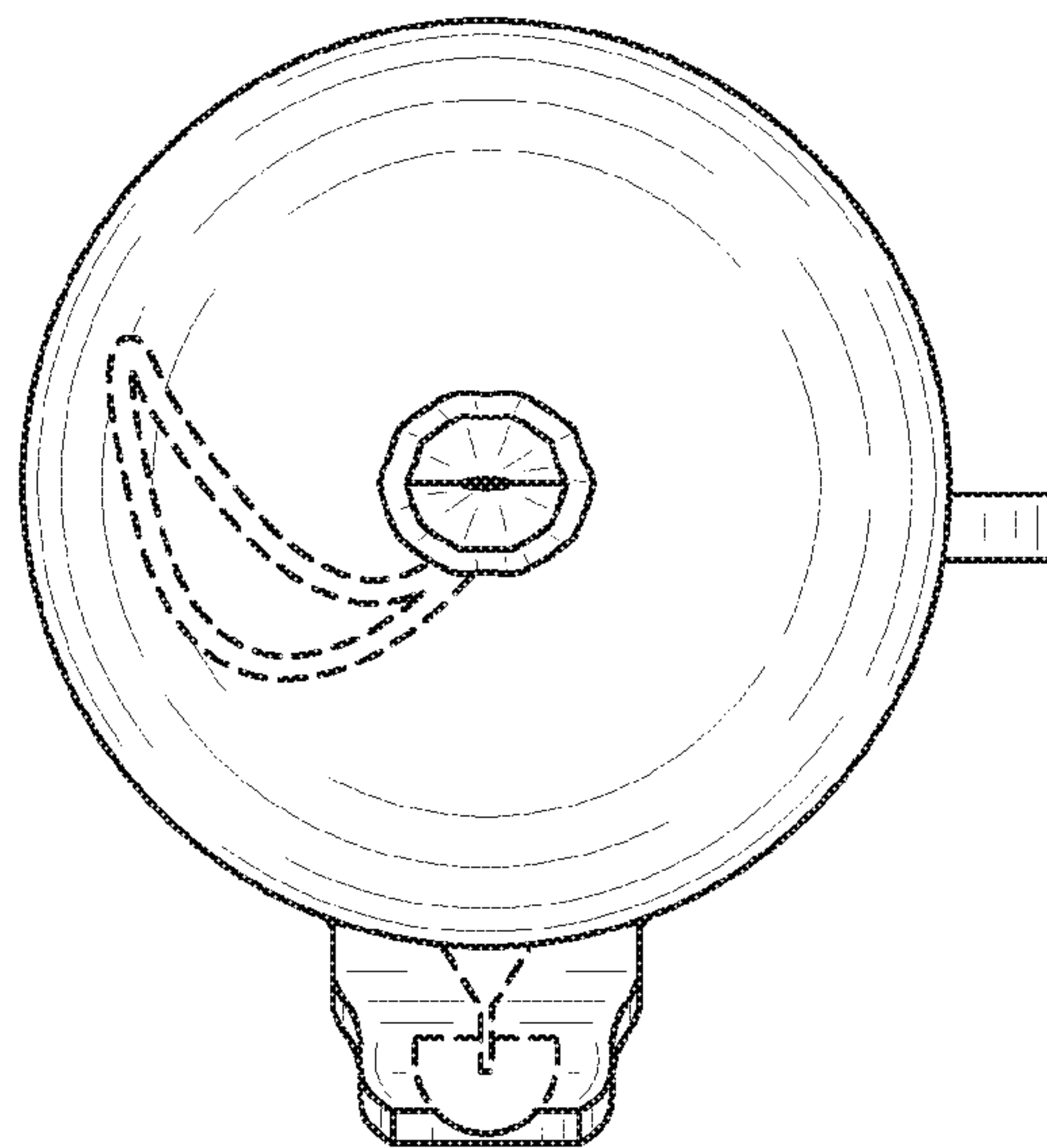


FIG. 7