



US00D751156S

(12) **United States Design Patent**
Tasca et al.

(10) **Patent No.:** **US D751,156 S**
(45) **Date of Patent:** **** Mar. 8, 2016**

(54) **EXERCISE EQUIPMENT**

(71) Applicant: **Technogym S.p.A.**, Gambettola,
Forlì-Cesena (IT)
(72) Inventors: **Ermanno Tasca**, Gambettola (IT); **Nerio**
Alessandri, Gambettola (IT); **Mario**
Fedriga, Gambettola (IT)

(73) Assignee: **Technogym S.p.A.**, Gambettola (IT)

(**) Term: **14 Years**

(21) Appl. No.: **29/486,847**

(22) Filed: **Apr. 3, 2014**

(51) **LOC (10) Cl.** **21-02**

(52) **U.S. Cl.**
USPC **D21/669**

(58) **Field of Classification Search**
USPC D21/662, 668, 669, 670, 694; 482/4, 8,
482/9, 51, 54, 70; 119/700
CPC A63B 22/02; A63B 2210/50; A63B
22/0235; A63B 22/0023; A63B 2208/0204

See application file for complete search history.

(56) **References Cited**

U.S. PATENT DOCUMENTS

D437,900	S	*	2/2001	Dick et al.	D21/669
D447,780	S	*	9/2001	Arnold et al.	D21/669
6,761,668	B1	*	7/2004	Chang	482/54
6,843,757	B2	*	1/2005	Pan et al.	482/54
6,846,274	B2	*	1/2005	Lopez-Santillana et al.	...	482/54
7,101,317	B2	*	9/2006	Kuo	482/54
D682,372	S	*	5/2013	Alessandri et al.	D21/669
2009/0017991	A1	*	1/2009	Hung	482/8
2014/0121066	A1	*	5/2014	Huang et al.	482/54

* cited by examiner

Primary Examiner — George D Kirschbaum

Assistant Examiner — Jennifer Watkins

(74) *Attorney, Agent, or Firm* — Dickstein Shapiro LLP

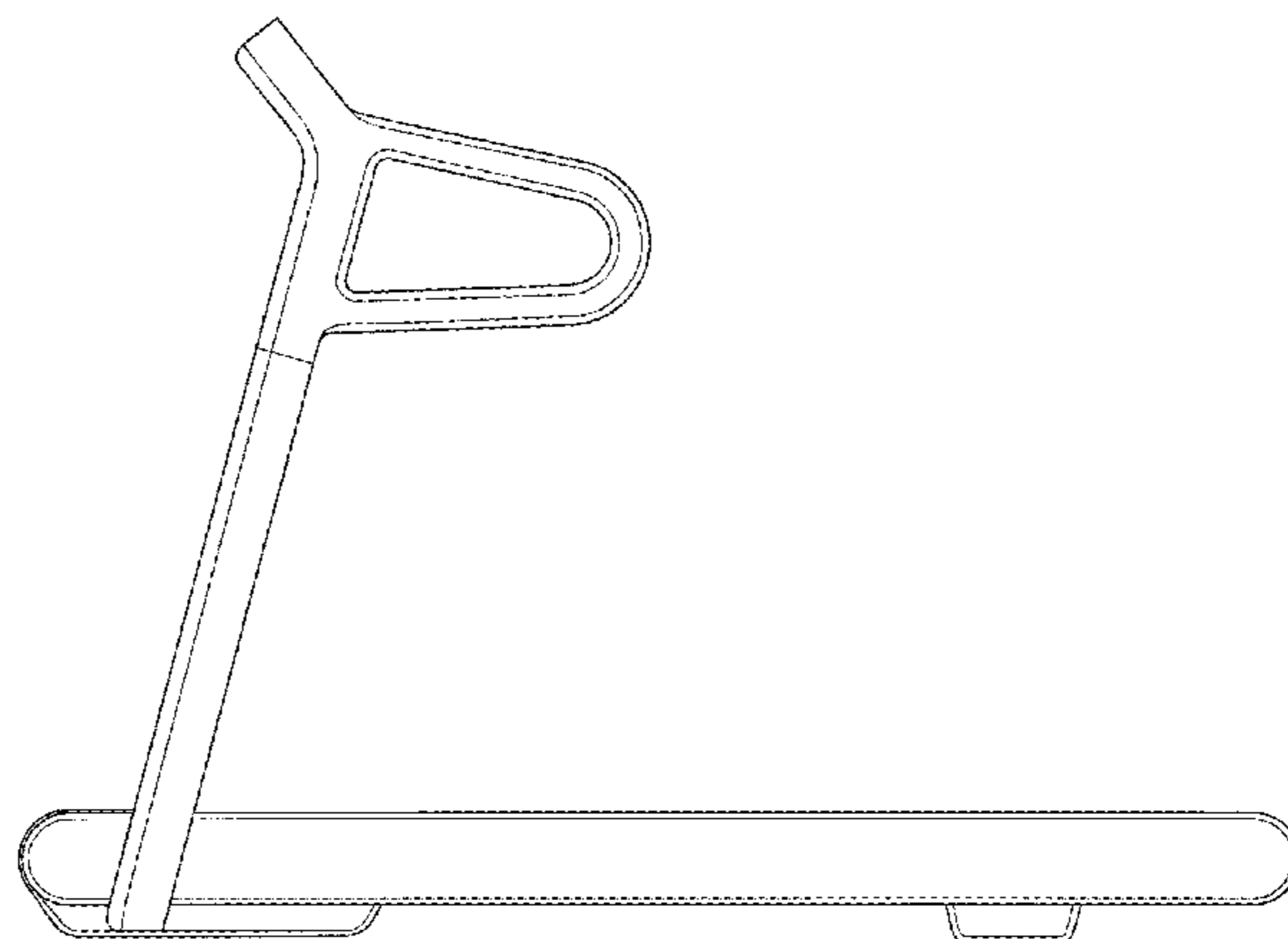
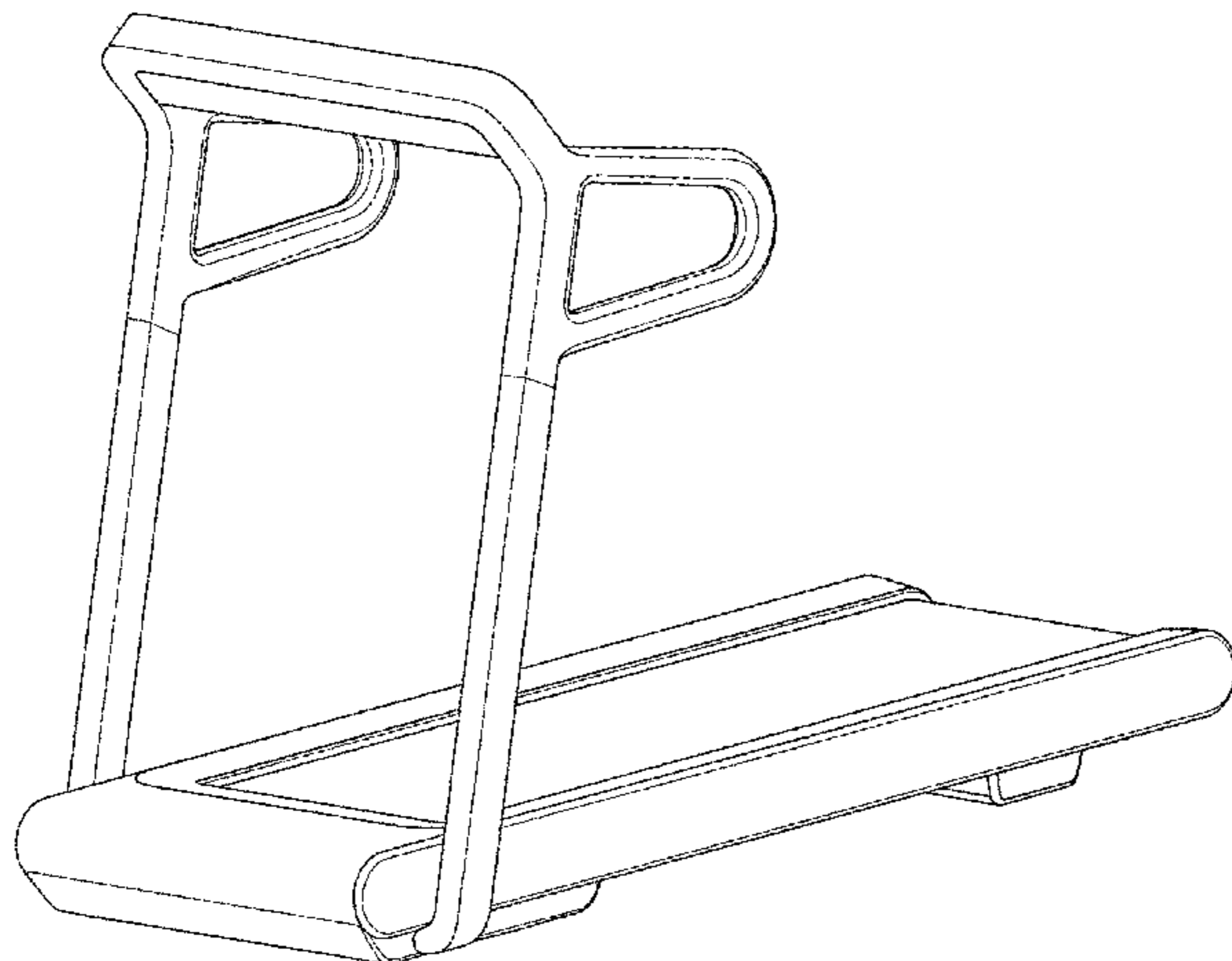
(57) **CLAIM**

The ornamental design for exercise equipment, as shown and described.

DESCRIPTION

FIG. 1 is a perspective view of the exercise equipment of the present invention;
FIG. 2 is a front view thereof;
FIG. 3 is a back view thereof;
FIG. 4 is a left side view thereof;
FIG. 5 is a right side view thereof;
FIG. 6 is a top view thereof; and,
FIG. 7 is a bottom view thereof.

1 Claim, 7 Drawing Sheets



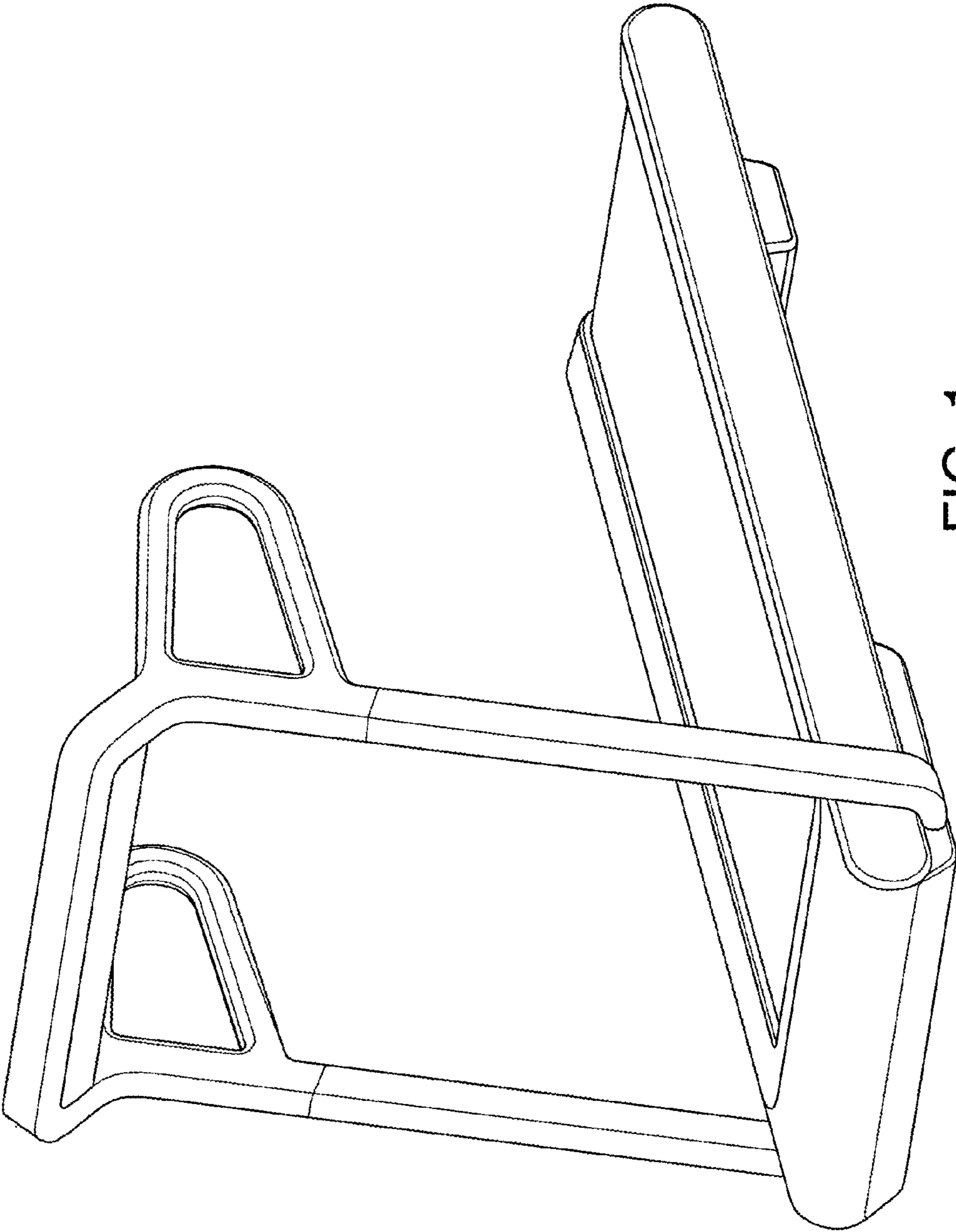


FIG. 1

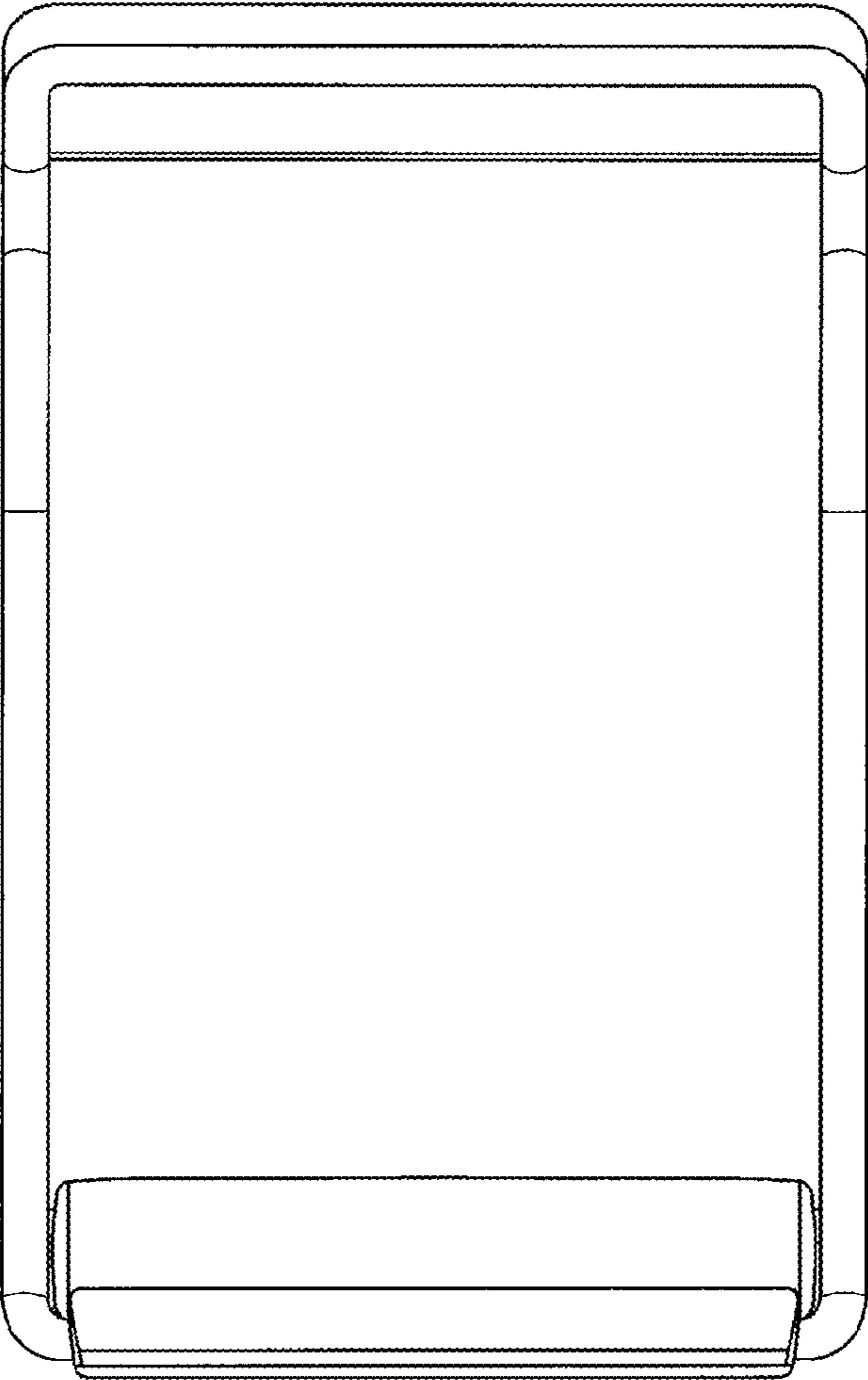


FIG. 2

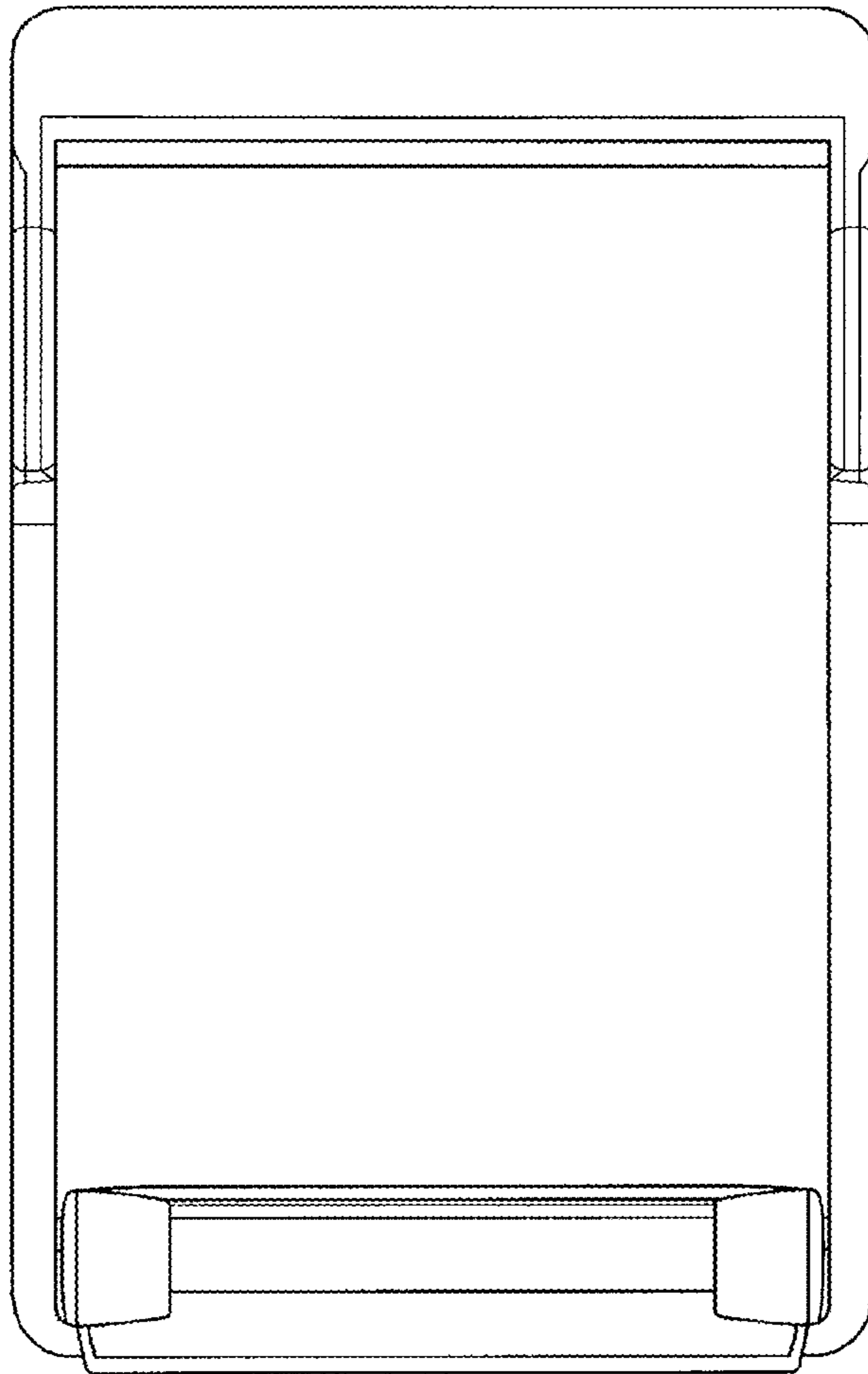


FIG. 3

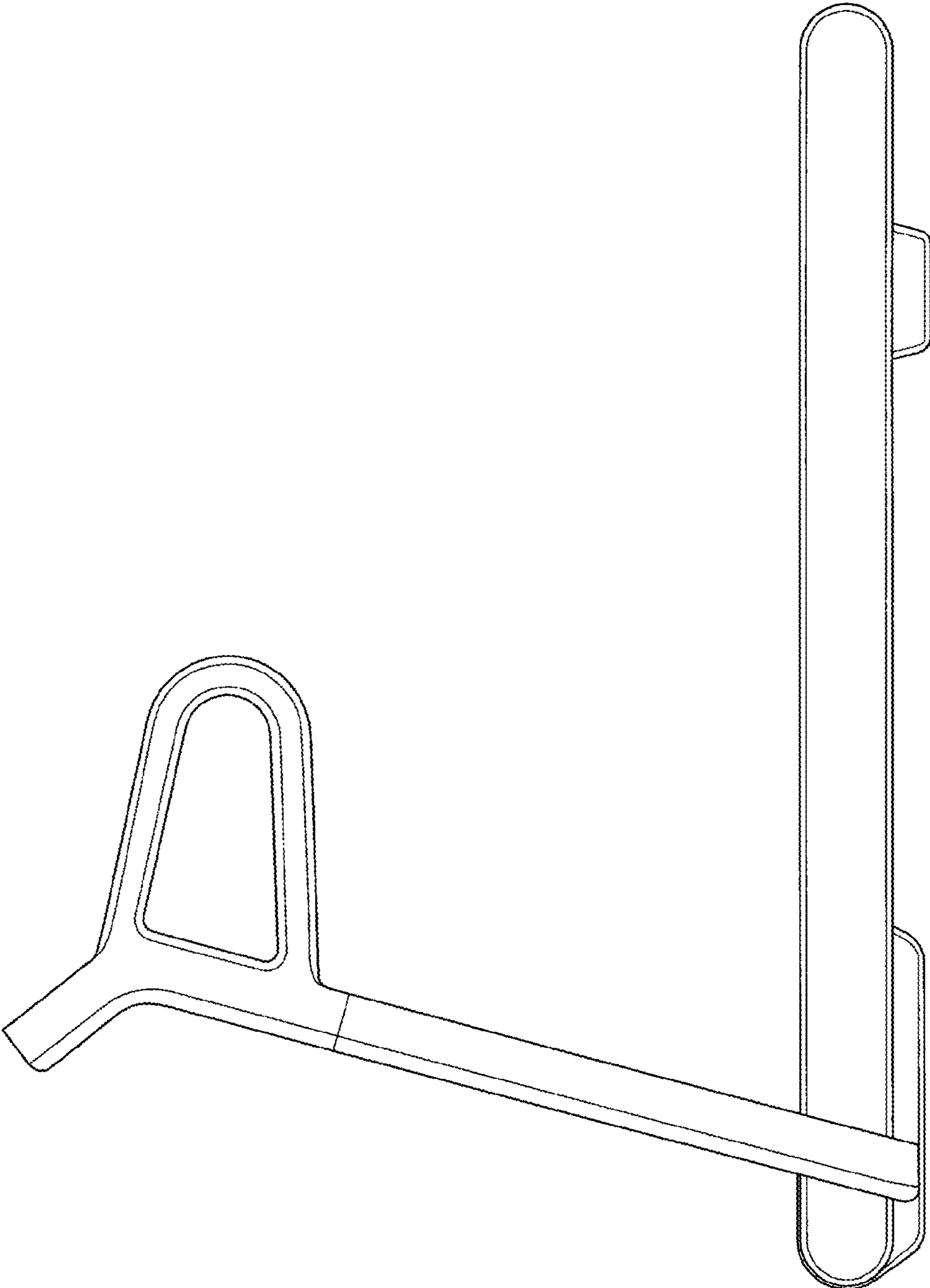


FIG. 4

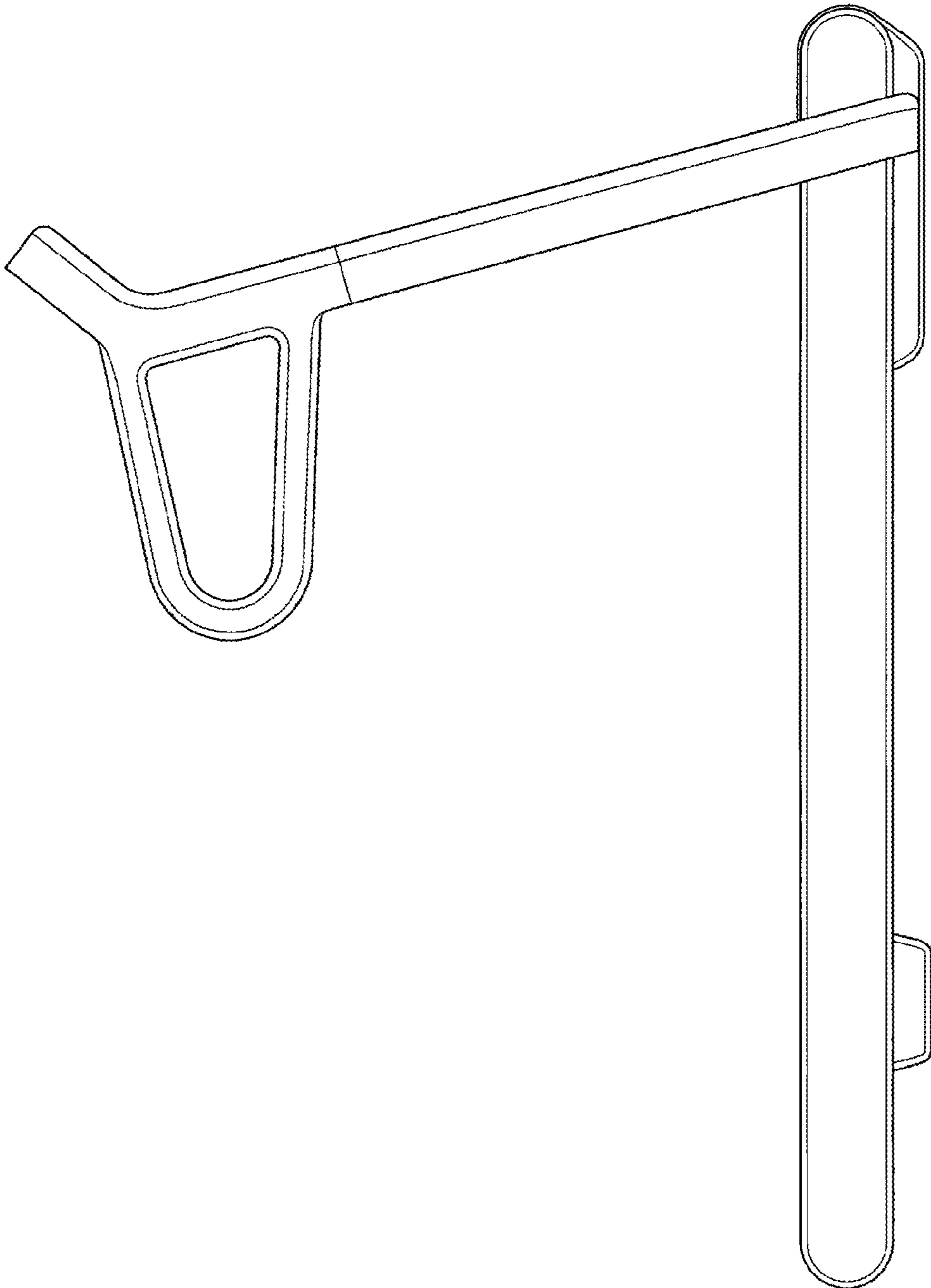


FIG. 5

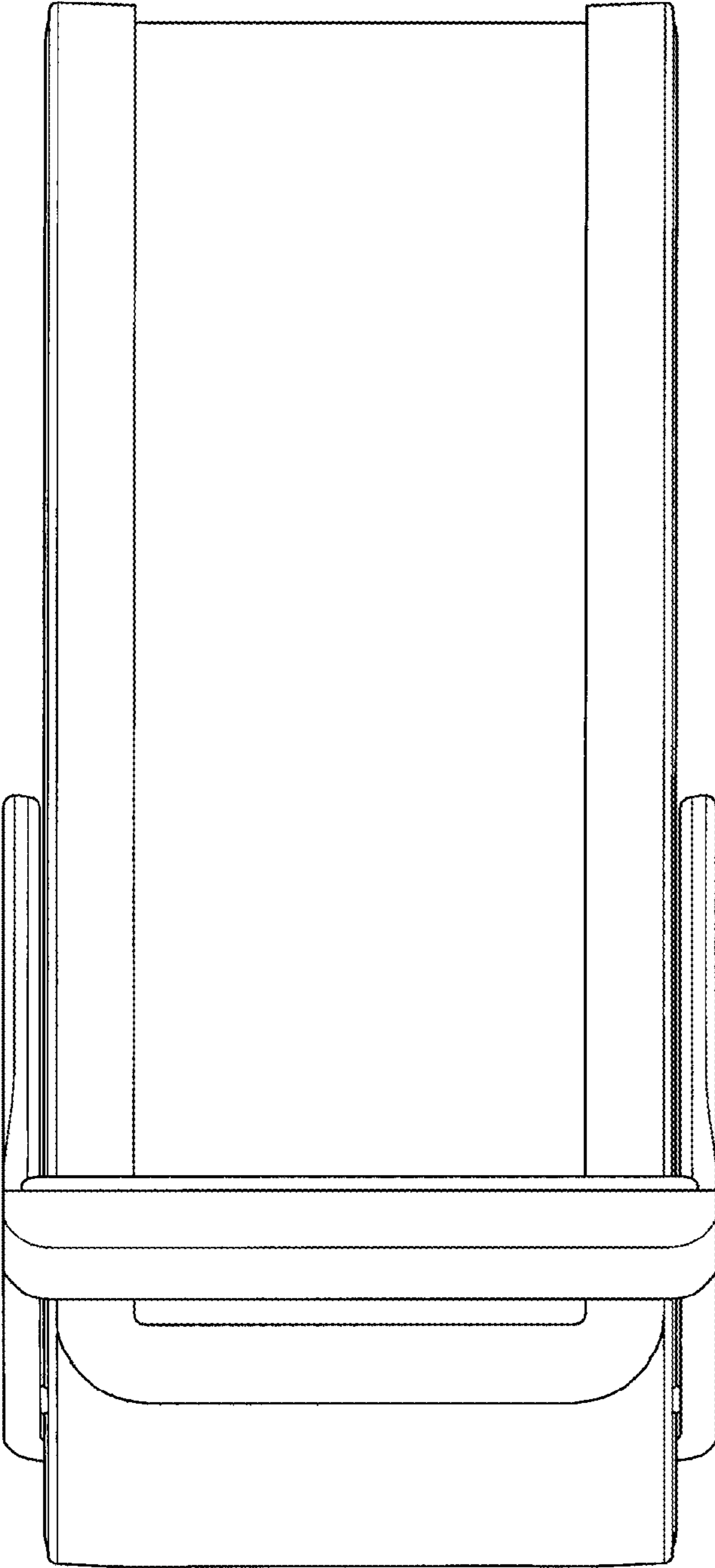


FIG. 6

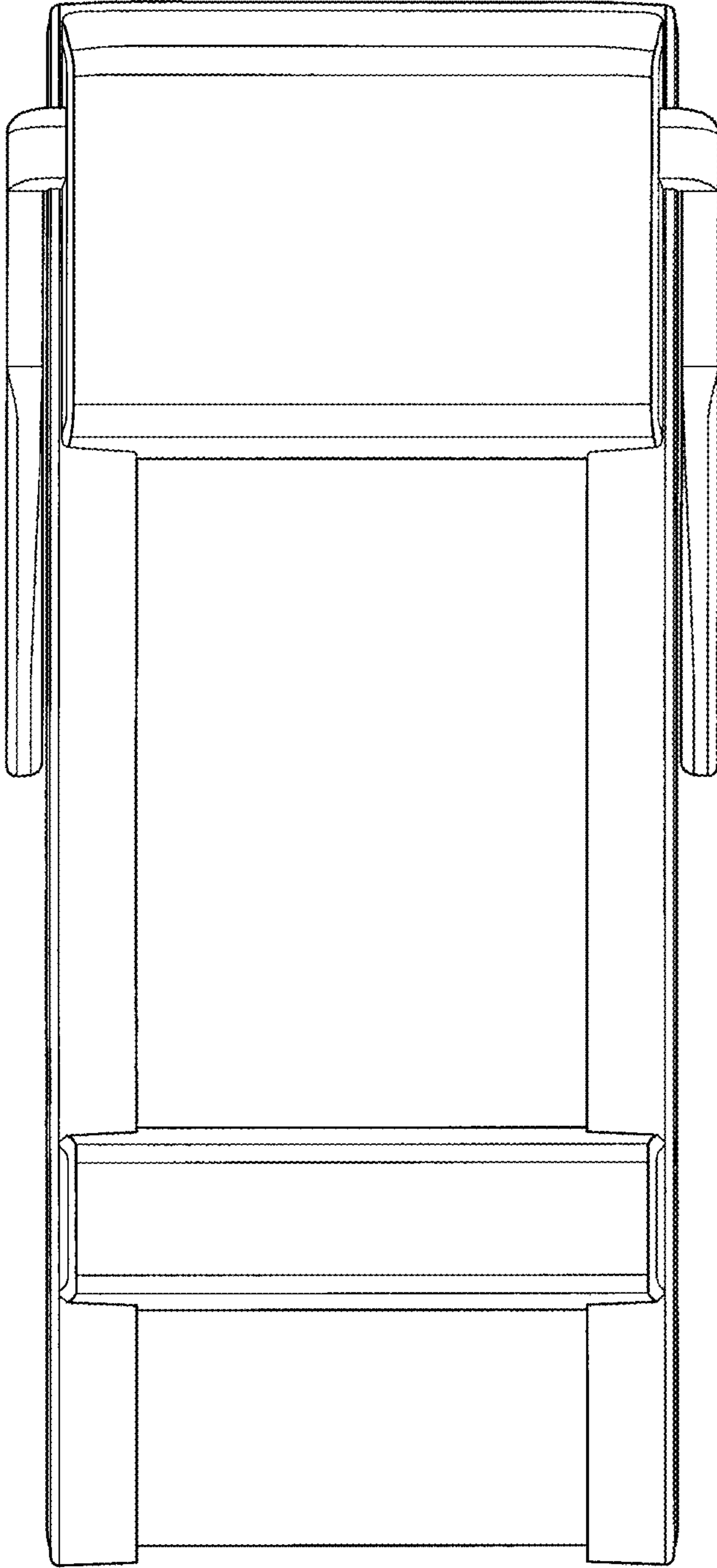


FIG. 7