



US00D751155S

(12) **United States Design Patent**  
**Ewing et al.**

(10) **Patent No.:** **US D751,155 S**  
(45) **Date of Patent:** **\*\* Mar. 8, 2016**

- (54) **TRANSDUCER MOUNT**
- (71) Applicant: **TRAXXAS LP**, McKinney, TX (US)
- (72) Inventors: **Adam Cole Ewing**, McKinney, TX (US); **Jory Sprowl**, Wolfe City, TX (US); **Otto Karl Allmendinger**, Rowlett, TX (US)
- (73) Assignee: **TRAXXAS LP**, McKinney, TX (US)
- (\*\*) Term: **14 Years**
- (21) Appl. No.: **29/504,076**
- (22) Filed: **Oct. 1, 2014**
- (51) **LOC (10) Cl.** ..... **21-01**
- (52) **U.S. Cl.**  
USPC ..... **D21/561**; D14/724
- (58) **Field of Classification Search**  
USPC ..... D14/224; D21/561, 562, 563  
CPC ..... H04R 1/02; H04R 1/021; H04R 1/025;  
A63H 29/00; A63H 29/22  
See application file for complete search history.

D570,336 S \* 6/2008 Suzuki ..... D14/224  
D582,399 S 12/2008 Venier et al.  
2013/0288566 A1\* 10/2013 Filoseta ..... A63H 29/00  
446/353

**OTHER PUBLICATIONS**

Dayton Audio; "Tech Note: Understanding Exciters—Principles and Applications"; Dayton Audio, Springboro, Ohio; daytonaudio.com; Apr. 21, 2014.

\* cited by examiner

*Primary Examiner* — Cynthia M Chin  
(74) *Attorney, Agent, or Firm* — CARR Law Firm PLLC

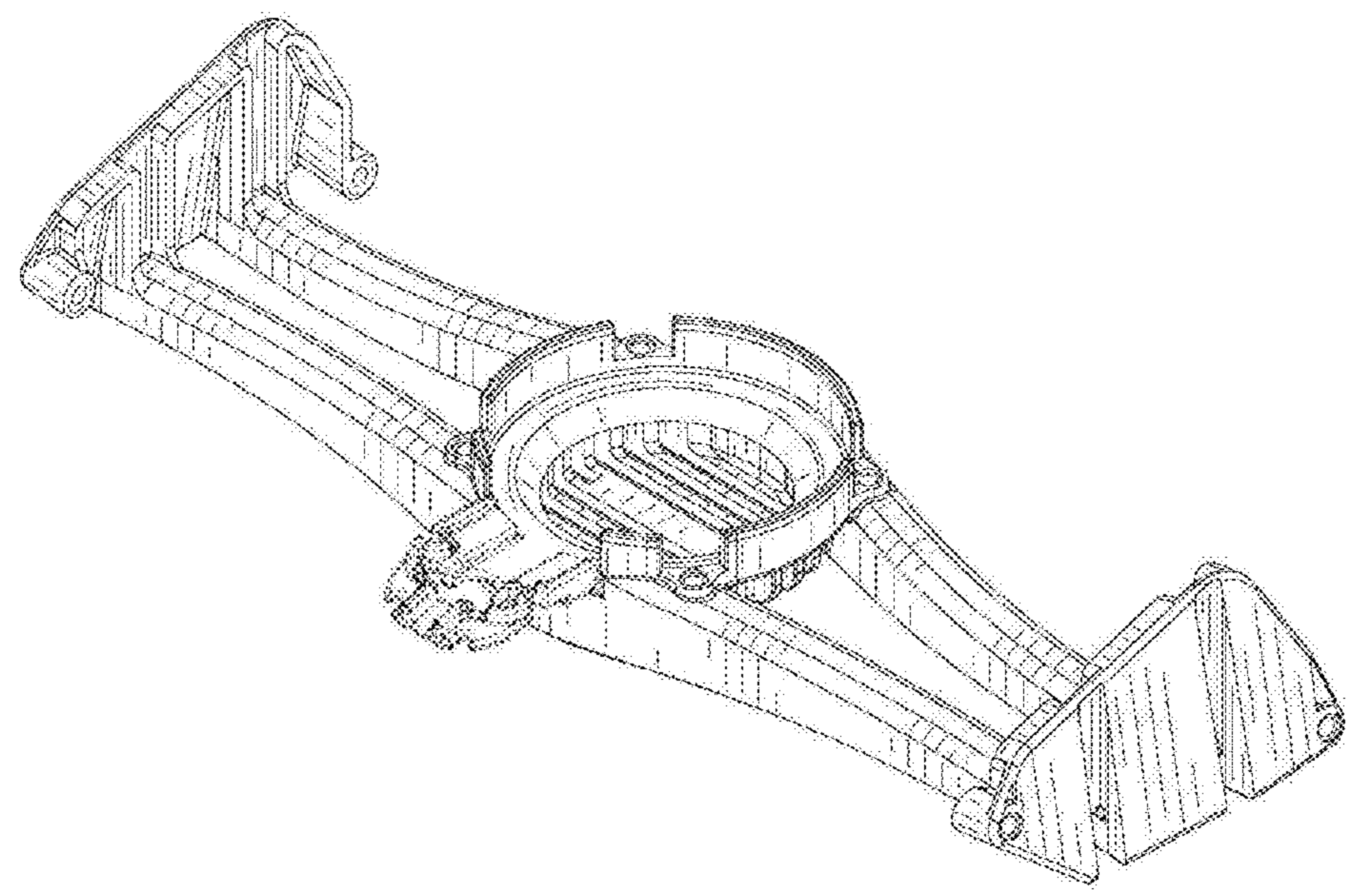
(57) **CLAIM**  
We claim the ornamental design for a transducer mount, as shown and described.

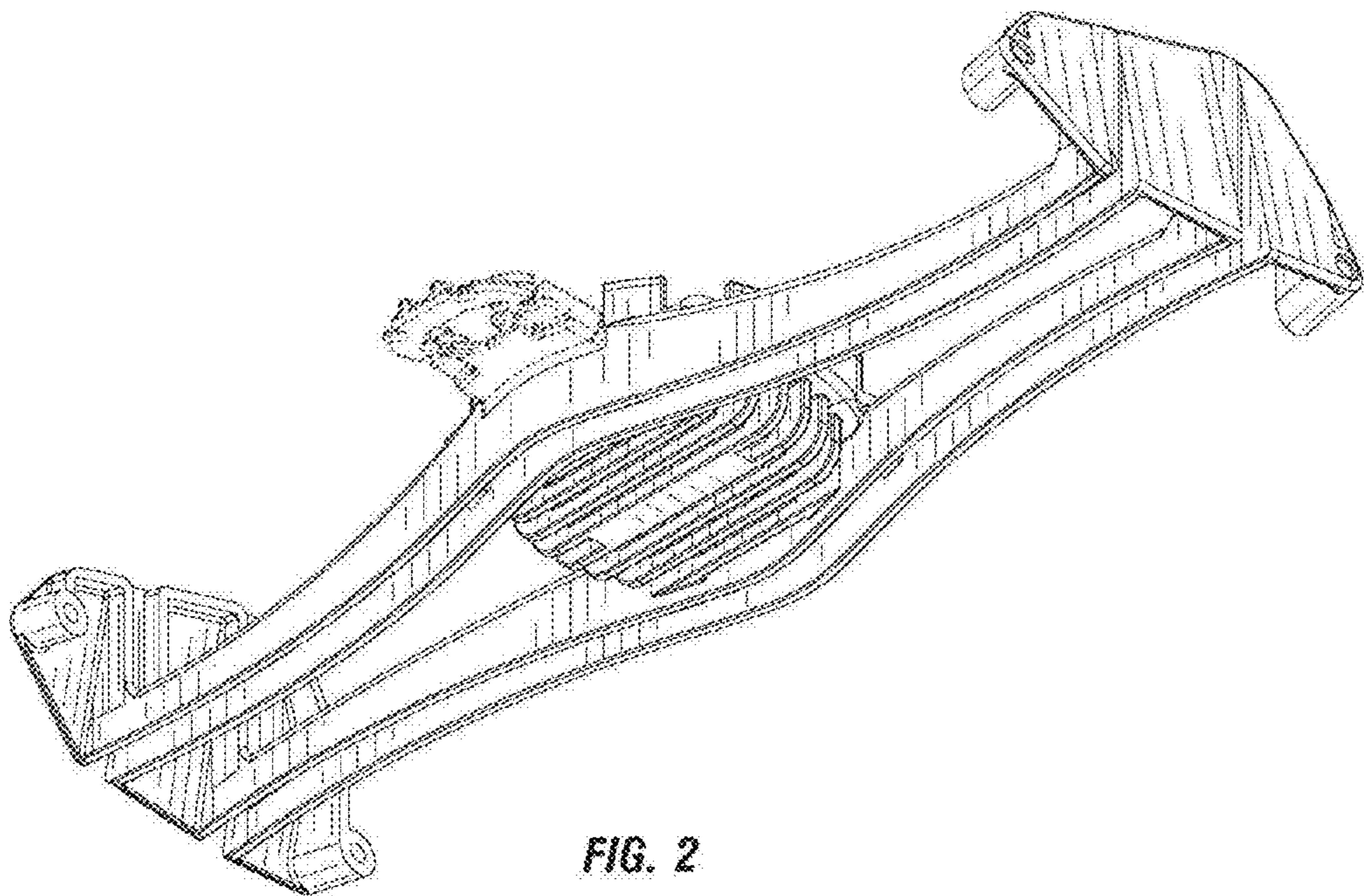
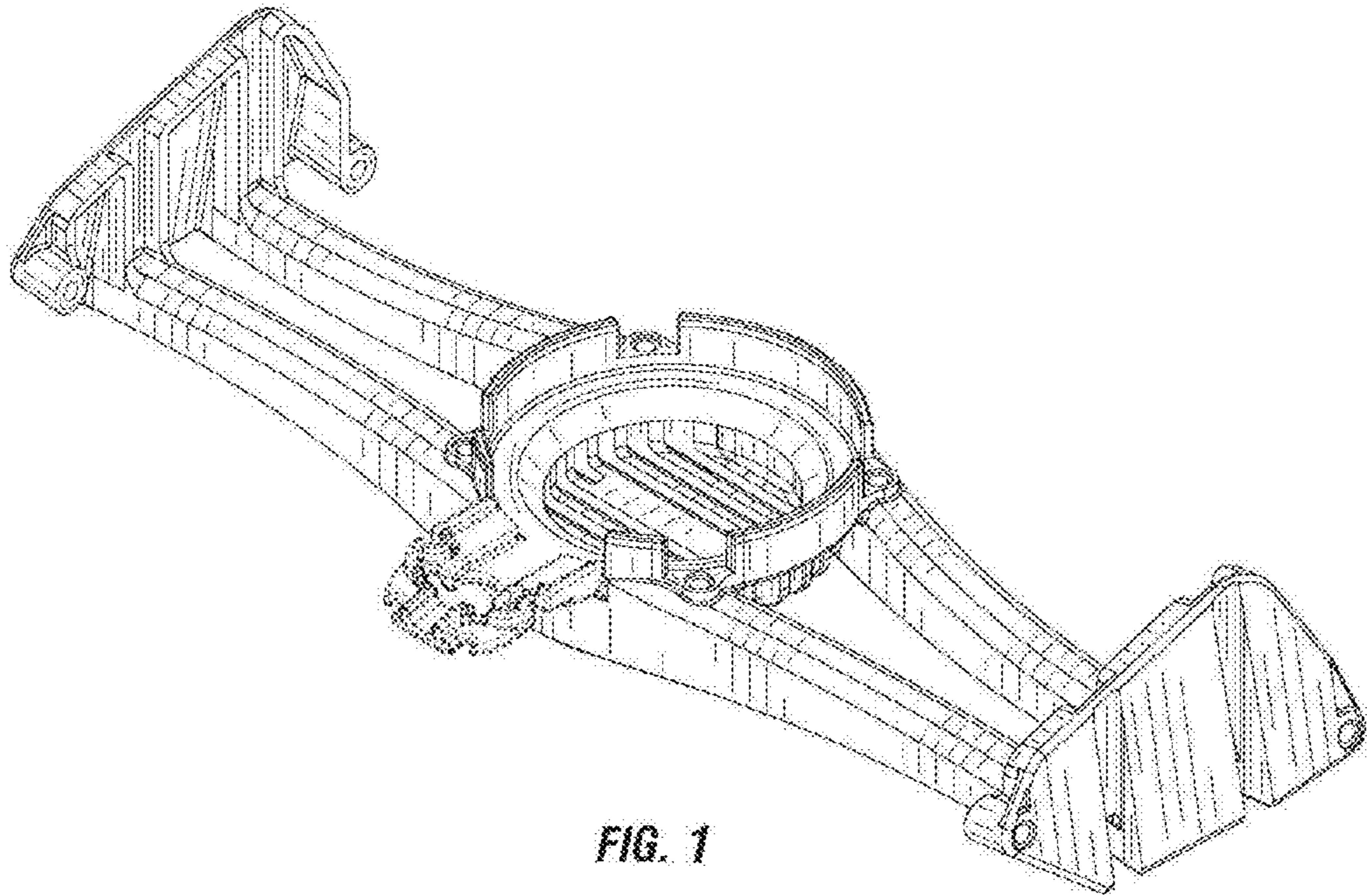
**DESCRIPTION**

FIG. 1 is a, top, left, front perspective view of a transducer mount;  
FIG. 2 is a bottom, right, front perspective view thereof;  
FIG. 3 is a top plan view thereof;  
FIG. 4 is a front elevation view thereof;  
FIG. 5 is a bottom plan view thereof;  
FIG. 6 is a rear elevation view thereof;  
FIG. 7 is a right side elevation view thereof; and,  
FIG. 8 is a left side elevation view thereof.  
Structural elements depicted by broken lines have been shown for the purpose of illustrating portions of the transducer mount that form no part of the claimed design.

**1 Claim, 3 Drawing Sheets**

- (56) **References Cited**  
U.S. PATENT DOCUMENTS  
D451,909 S \* 12/2001 Mackie ..... D14/224  
D455,733 S \* 4/2002 Stompler ..... D14/224  
D468,729 S \* 1/2003 Takayama ..... D14/224  
D472,232 S \* 3/2003 Stompler ..... D14/224  
D483,743 S \* 12/2003 Vosse ..... D14/224  
D483,744 S \* 12/2003 Vosse ..... D14/224





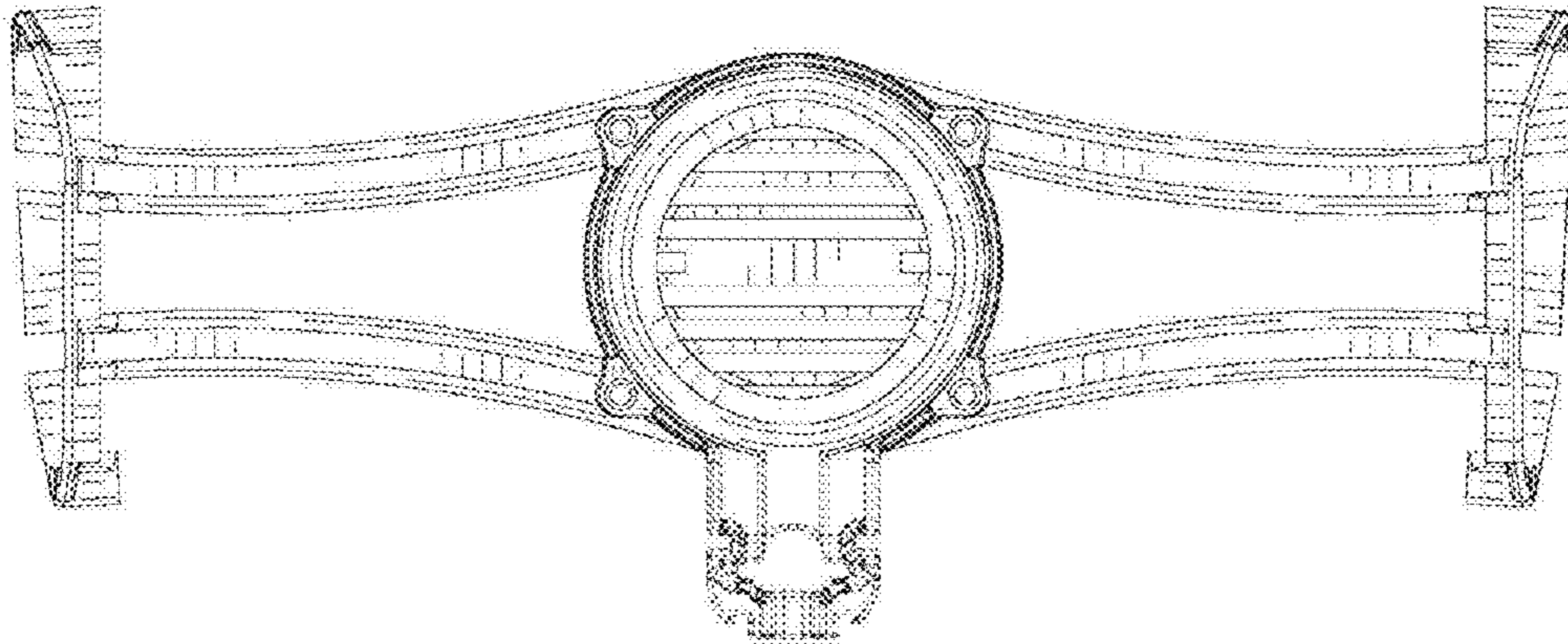


FIG. 3

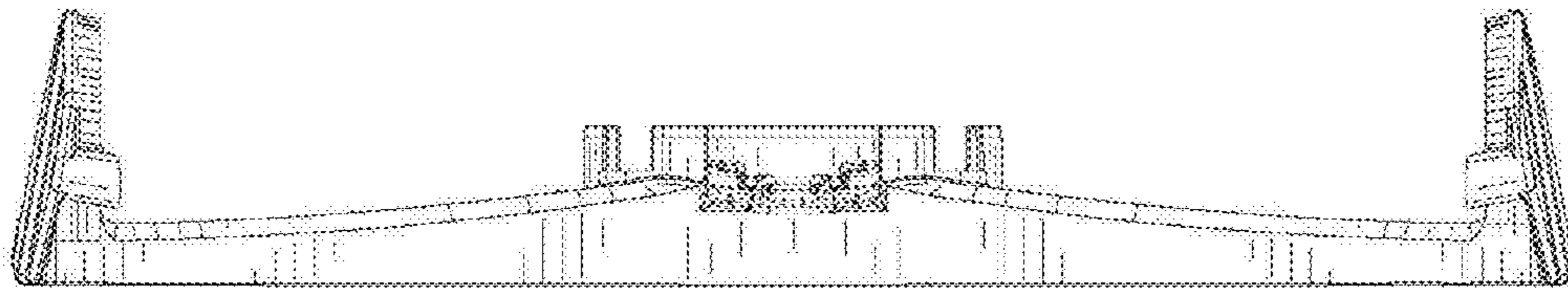


FIG. 4

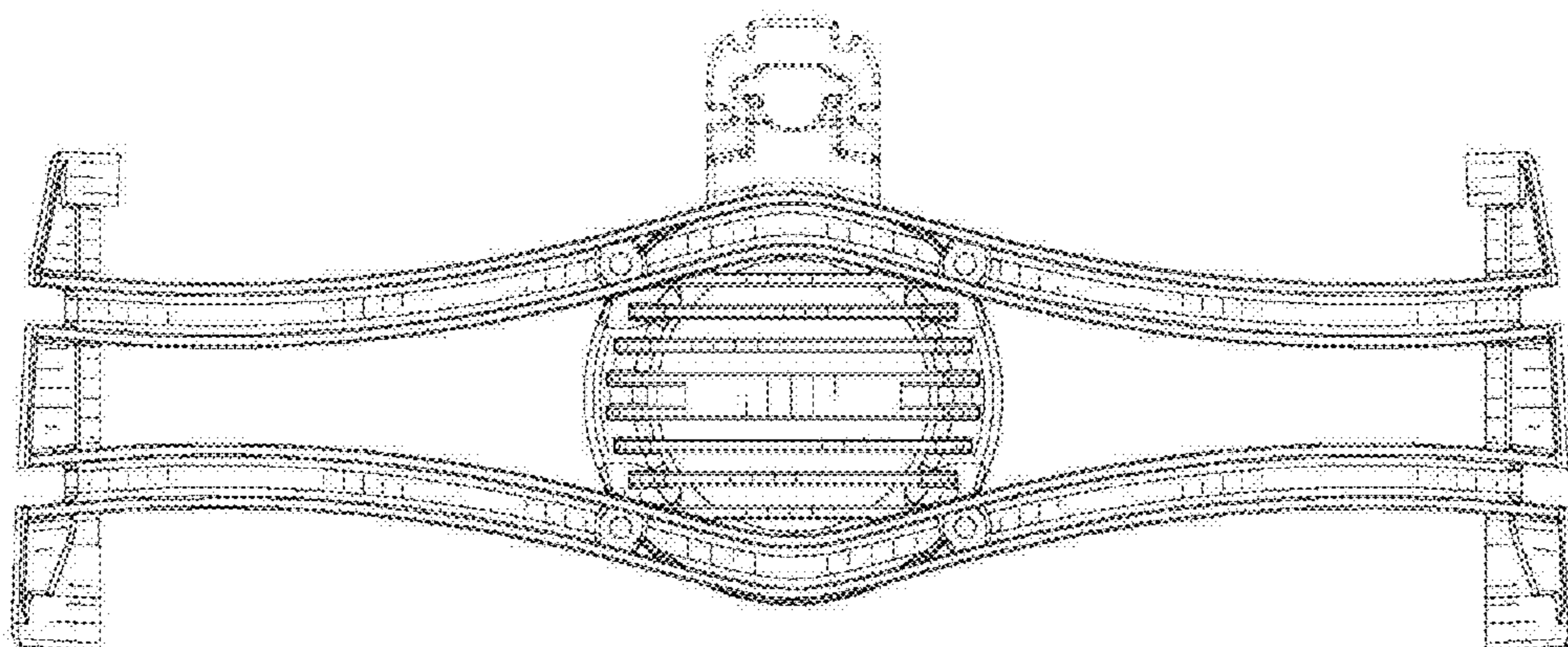


FIG. 5

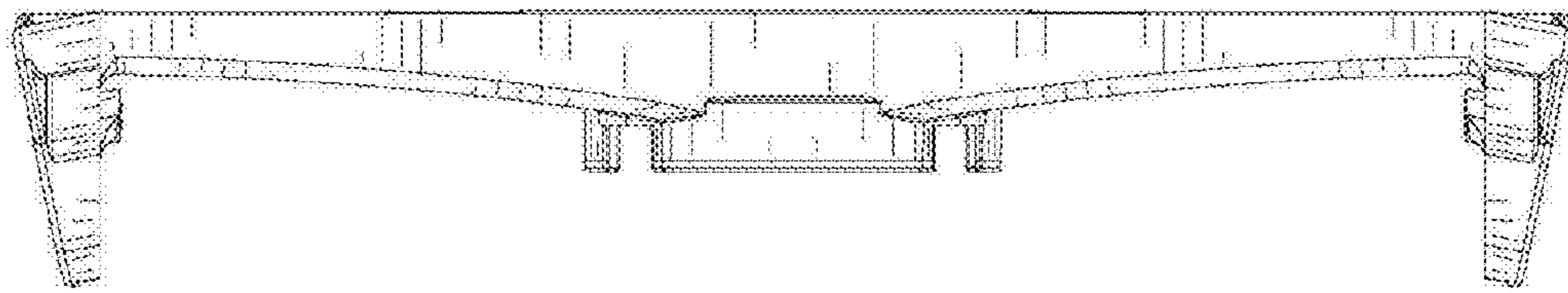


FIG. 6

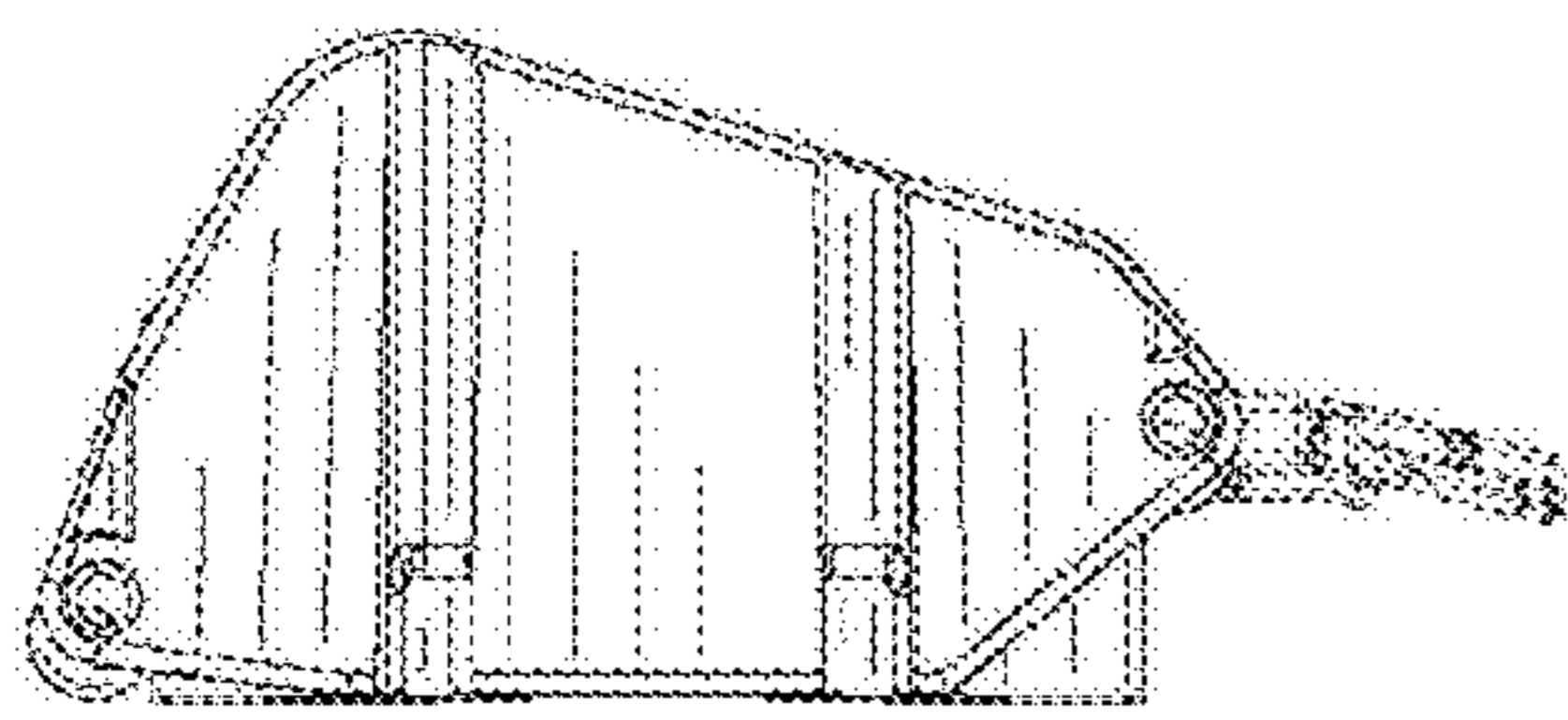


FIG. 7

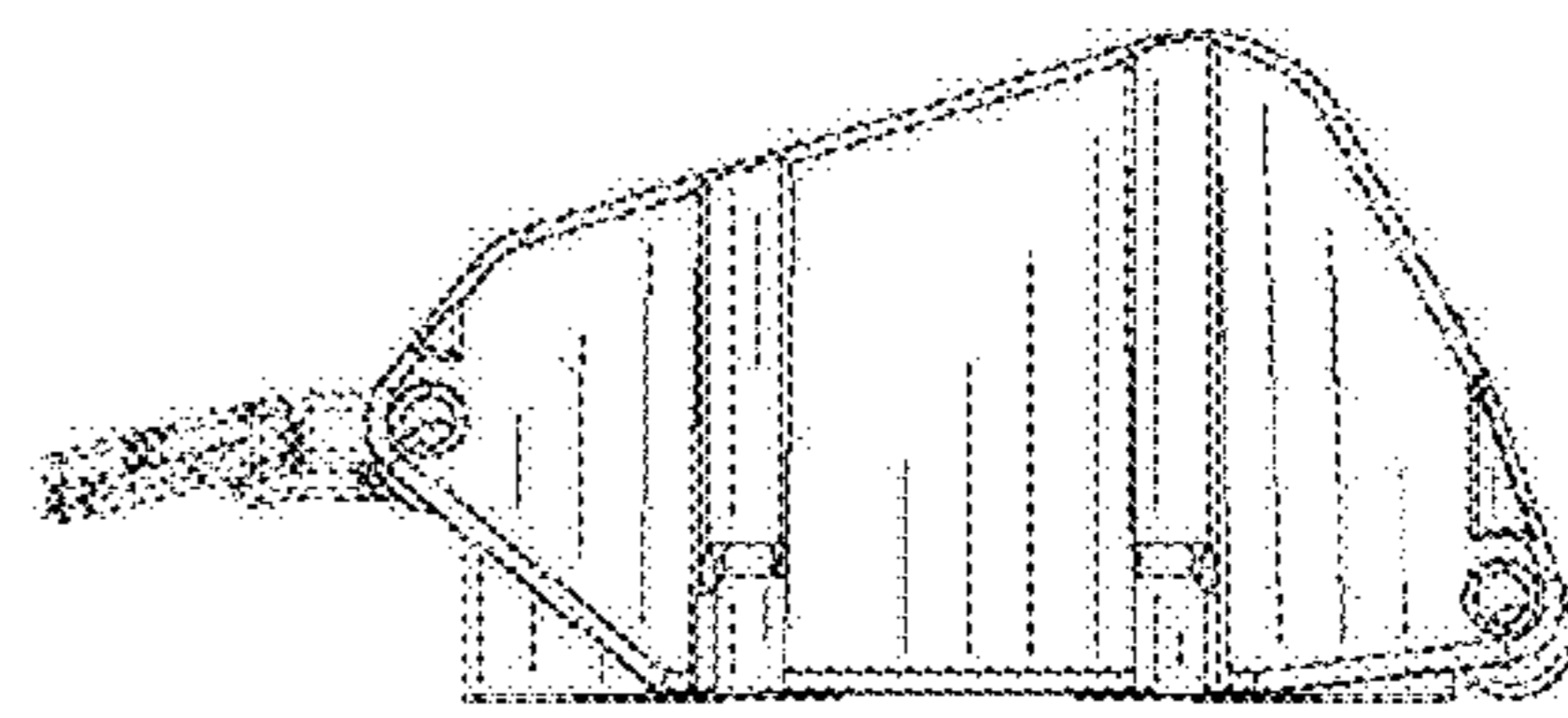


FIG. 8