



US00D751153S

(12) **United States Design Patent**
Lacroix et al.

(10) **Patent No.:** **US D751,153 S**
(45) **Date of Patent:** **** Mar. 8, 2016**

- (54) **CONSTRUCTION SET ELEMENT**
- (71) Applicant: **MEGA Brands Inc.**, Montreal (CA)
- (72) Inventors: **Mathieu Lacroix**, Pointe-Claire (CA);
Marc-Andre Minguay, La Prairie (CA)
- (73) Assignee: **MEGA Brands Inc.**, Montreal, Quebec (CA)
- (**) Term: **14 Years**
- (21) Appl. No.: **29/515,655**
- (22) Filed: **Jan. 26, 2015**
- (51) **LOC (10) Cl.** **21-01**
- (52) **U.S. Cl.**
USPC **D21/501**; D21/494
- (58) **Field of Classification Search**
USPC D21/386, 389, 404, 468, 470, 471,
D21/484-505; 446/69, 85, 102-128;
434/208, 259, 403; 273/153, 156, 160;
D25/113-116, 118
CPC A63H 33/00; A63H 33/04; A63H 33/06;
A63H 33/08; A63H 33/084; A63H 33/086;
A63H 33/088; A63H 33/10; A63H 33/105;
A63H 33/108; A63H 33/52
See application file for complete search history.

D360,909 S 8/1995 Frederiksen
D360,910 S 8/1995 Frederiksen
D362,474 S * 9/1995 Voldmester D21/501
D363,095 S 10/1995 Voldmester

(Continued)

OTHER PUBLICATIONS

Excerpt of 1997 Mega Bloks Catalog, 3 pages.
(Continued)

Primary Examiner — Cynthia M Chin

(74) *Attorney, Agent, or Firm* — Plumsea Law Group, LLC

(57) **CLAIM**

The ornamental design for a construction set element, as shown and described.

DESCRIPTION

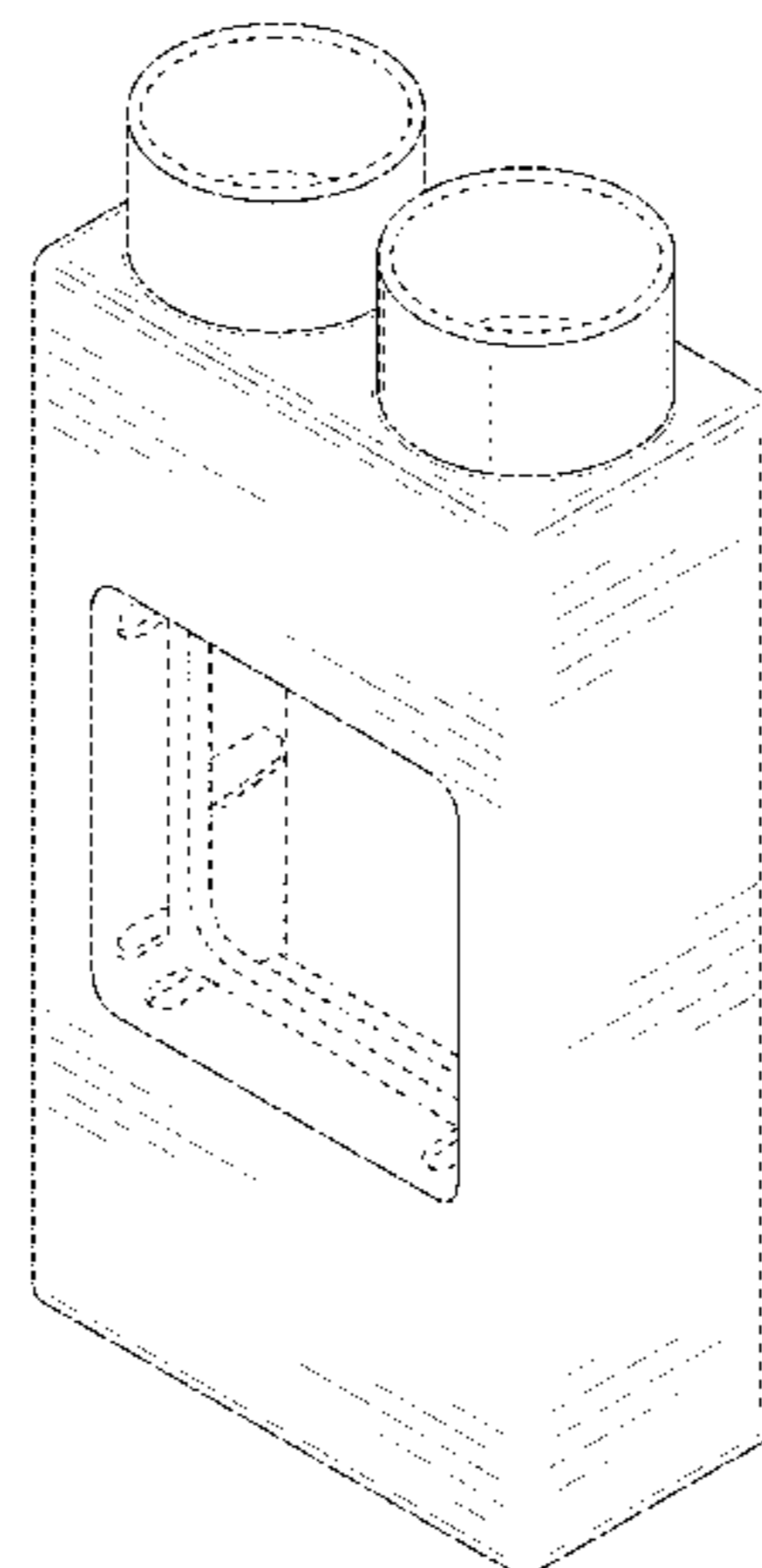
FIG. 1 is a top perspective view of a construction set element showing the new design;
FIG. 2 is a front elevational view of the construction set element of FIG. 1;
FIG. 3 is a rear elevational view of the construction set element of FIG. 1;
FIG. 4 is a right side elevational view of the construction set element of FIG. 1;
FIG. 5 is a left side elevational view of the construction set element of FIG. 1;
FIG. 6 is a top plan view of the construction set element of FIG. 1;
FIG. 7 is a bottom plan view of the construction set element of FIG. 1;
FIG. 8 is a top perspective view of the construction set element of FIG. 1, with an embodiment of a closure construction set element held therein in a horizontal position; and,
FIG. 9 is a top perspective view of the construction set element of FIG. 1, with the closure construction set element of FIG. 8 held therein in a vertical position.
The broken lines and unshaded areas form no part of the claimed design.

1 Claim, 7 Drawing Sheets

(56) **References Cited**

U.S. PATENT DOCUMENTS

- 1,935,542 A * 11/1933 Bursell A63H 3/52
446/110
- 3,284,946 A * 11/1966 Christiansen A63H 33/04
446/105
- 3,534,494 A * 10/1970 Majima A63H 33/04
446/102
- D308,233 S 5/1990 Fish, Jr.
- D308,234 S 5/1990 Fish, Jr.
- D336,666 S * 6/1993 Knudsen D21/501
- D342,555 S * 12/1993 Berggreen D21/501
- D350,787 S * 9/1994 Hojlund D21/501
- D351,005 S * 9/1994 Hojlund D21/501



(56)

References Cited

U.S. PATENT DOCUMENTS

D384,989 S * 10/1997 Andersen D21/491
 5,674,103 A 10/1997 Bean
 6,132,281 A 10/2000 Klitsner et al.
 D437,011 S * 1/2001 Chang D21/501
 D455,463 S 4/2002 Martin et al.
 D537,484 S 2/2007 Ganderton
 D546,902 S 7/2007 Ganderton
 D562,412 S 2/2008 Tremblay et al.
 D591,957 S * 5/2009 Lee D6/300
 7,658,662 B2 2/2010 Tremblay et al.
 D614,707 S * 4/2010 Ryaa D21/501
 D620,989 S * 8/2010 Ryaa D21/501
 D639,870 S * 6/2011 Madsen D21/494
 D647,698 S 11/2011 Cally
 D647,699 S 11/2011 Cally
 D660,597 S 5/2012 Leblanc

D676,653 S 2/2013 Leblanc
 D681,330 S 5/2013 Leblanc
 D684,364 S 6/2013 Leblanc
 D684,770 S 6/2013 Leblanc
 8,528,489 B2 9/2013 Roy et al.
 D699,439 S 2/2014 Leblanc
 D699,441 S 2/2014 Leblanc
 D699,442 S 2/2014 Leblanc
 D700,248 S 2/2014 Proulx et al.
 D707,554 S 6/2014 Lavoie

OTHER PUBLICATIONS

Excerpt of 2009 Mega Bloks Catalog, 16 pages.
 Excerpt of 2011 Mega Bloks Catalog, 12 pages.
 Excerpt of 2012 Mega Bloks Catalog, 22 pages.
 Excerpt of 2013 Mega Bloks Catalog, 3 pages.

* cited by examiner

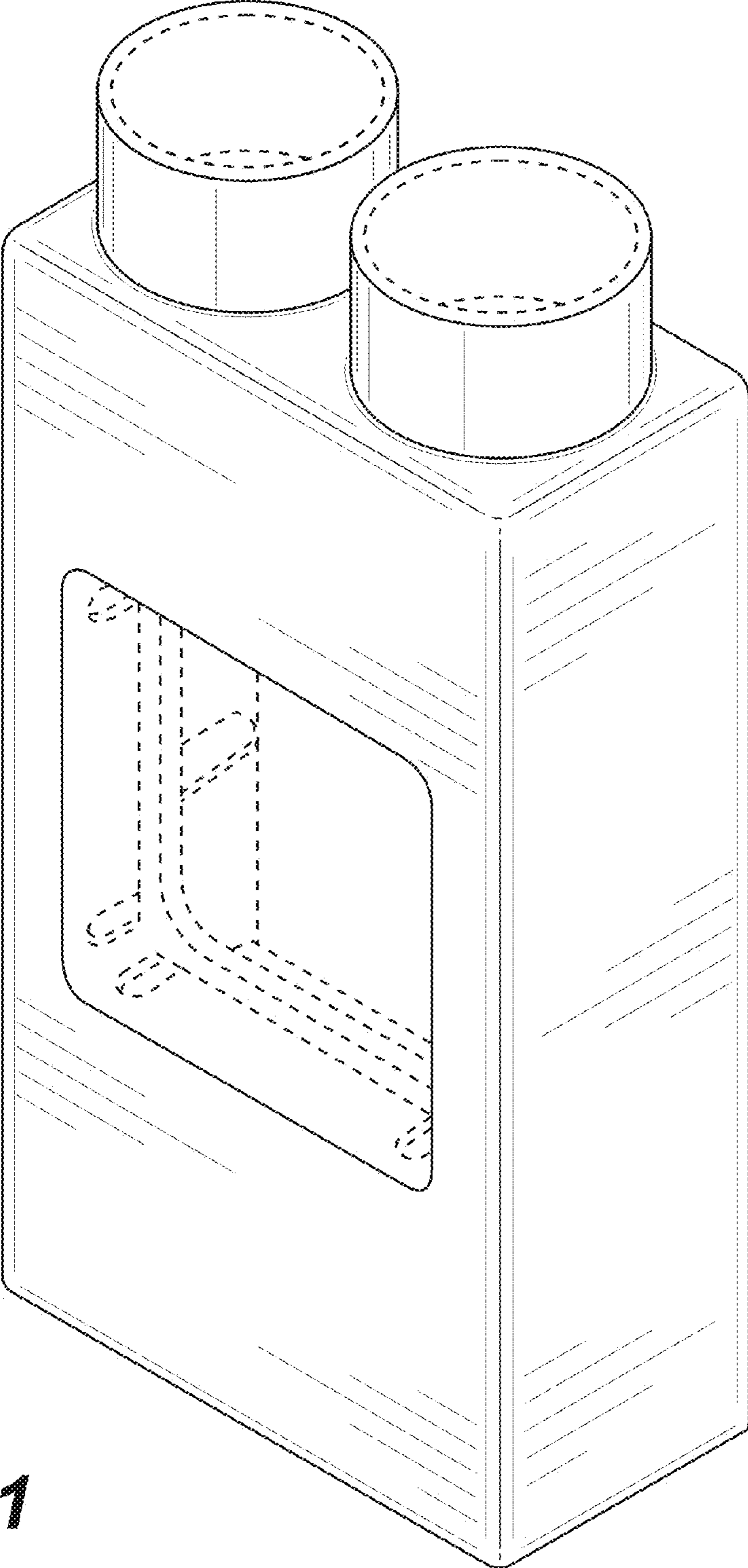


FIG. 1

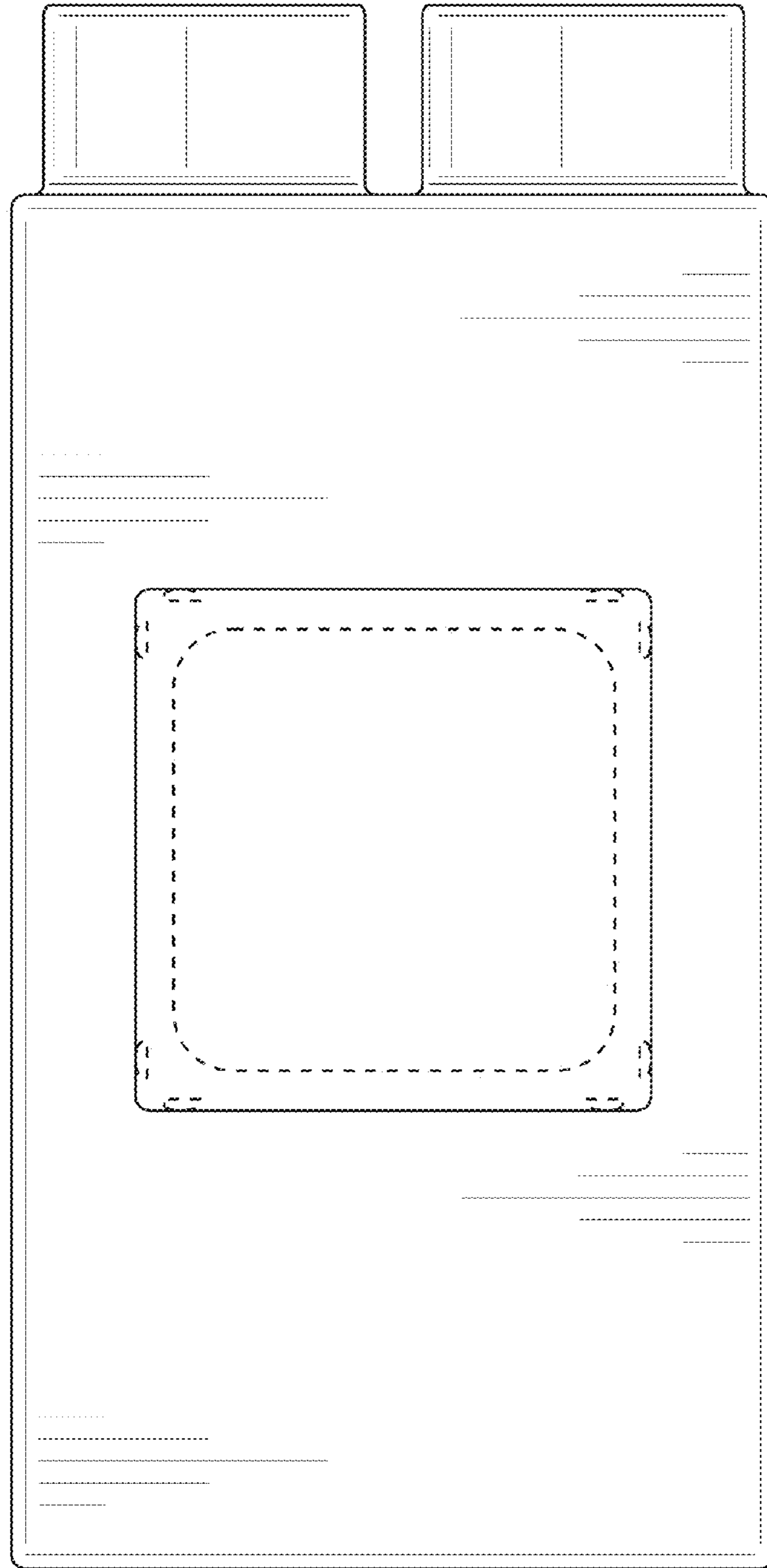


FIG. 2

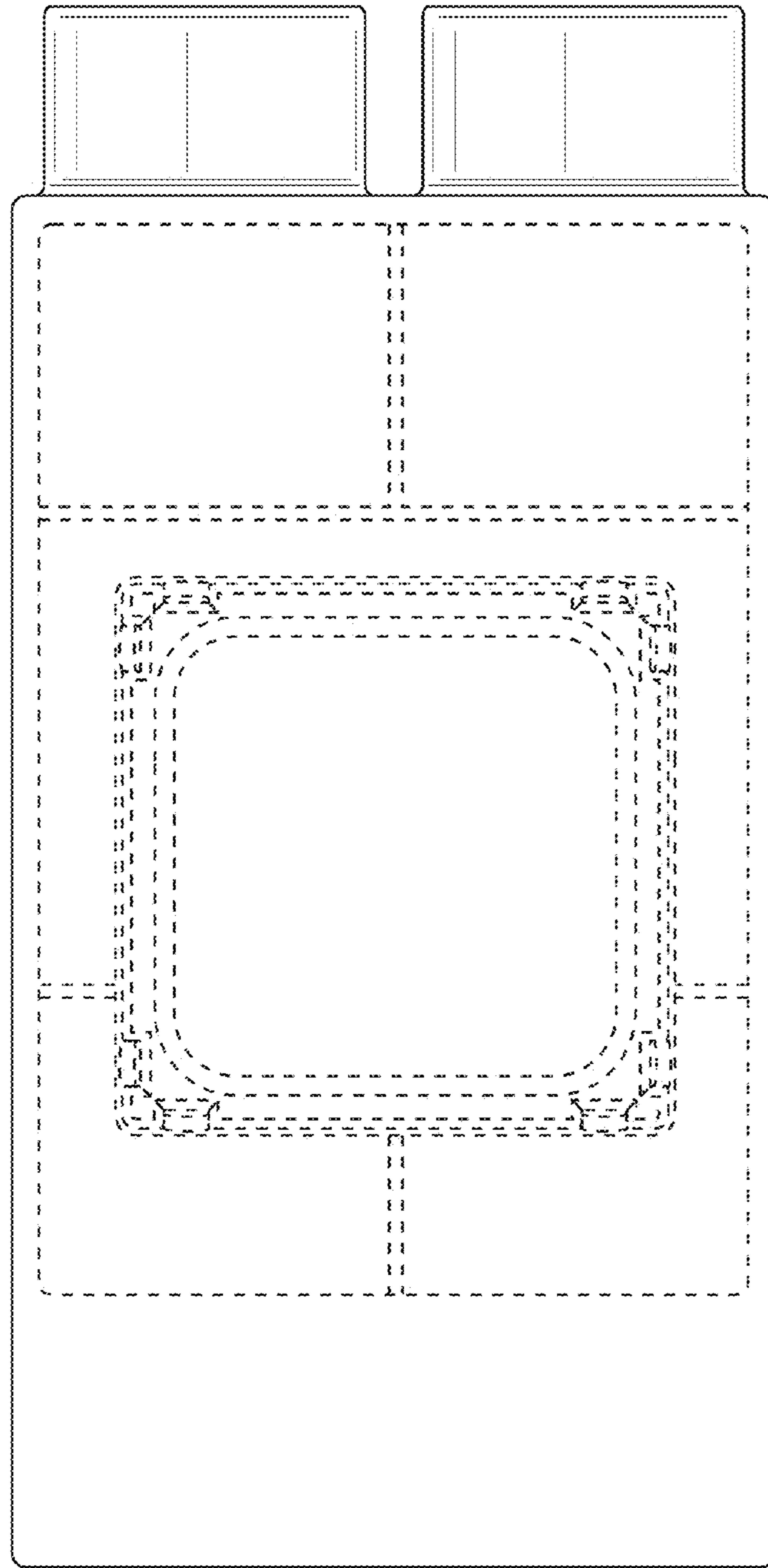


FIG. 3

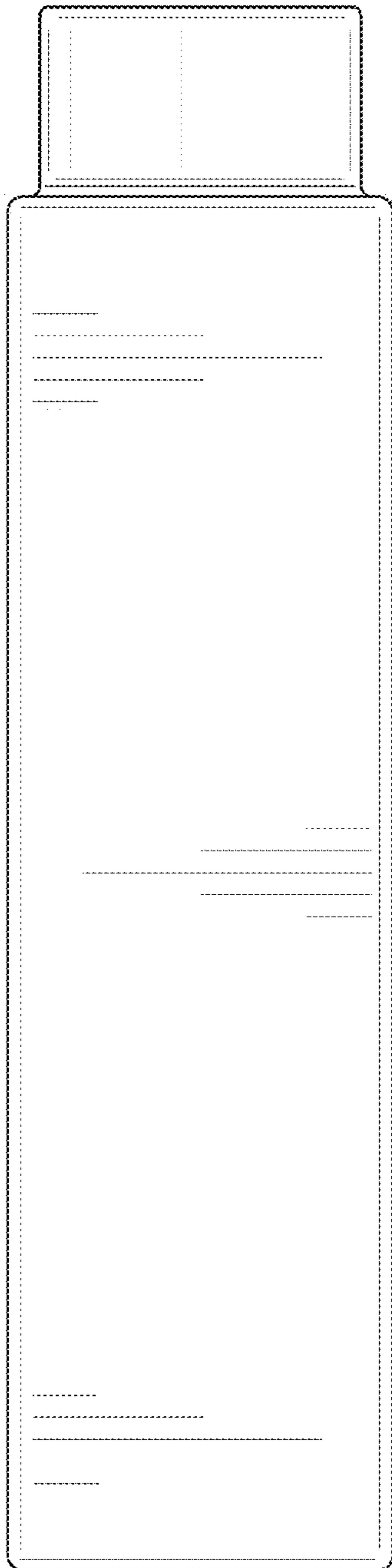


FIG. 4

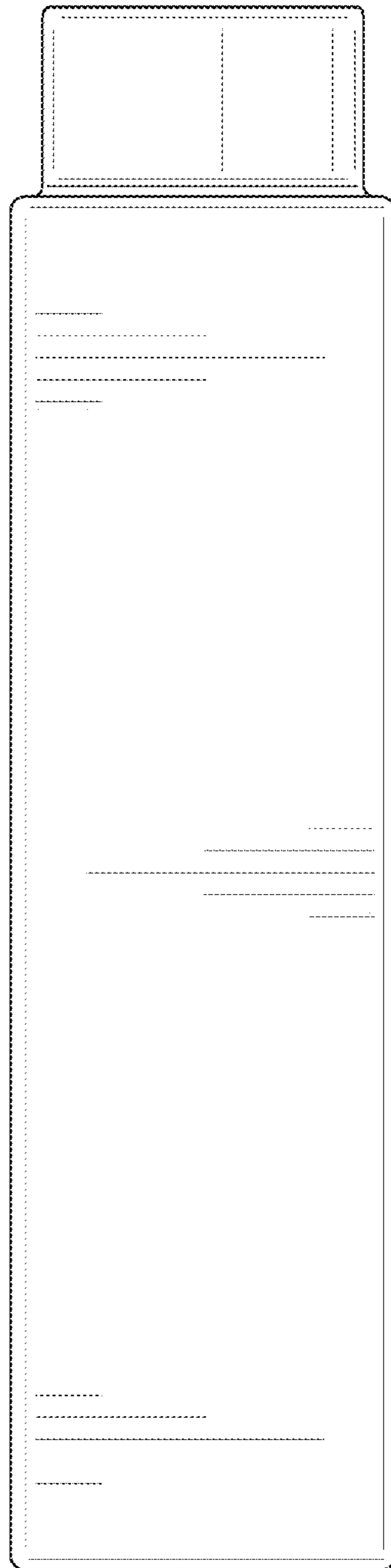


FIG. 5

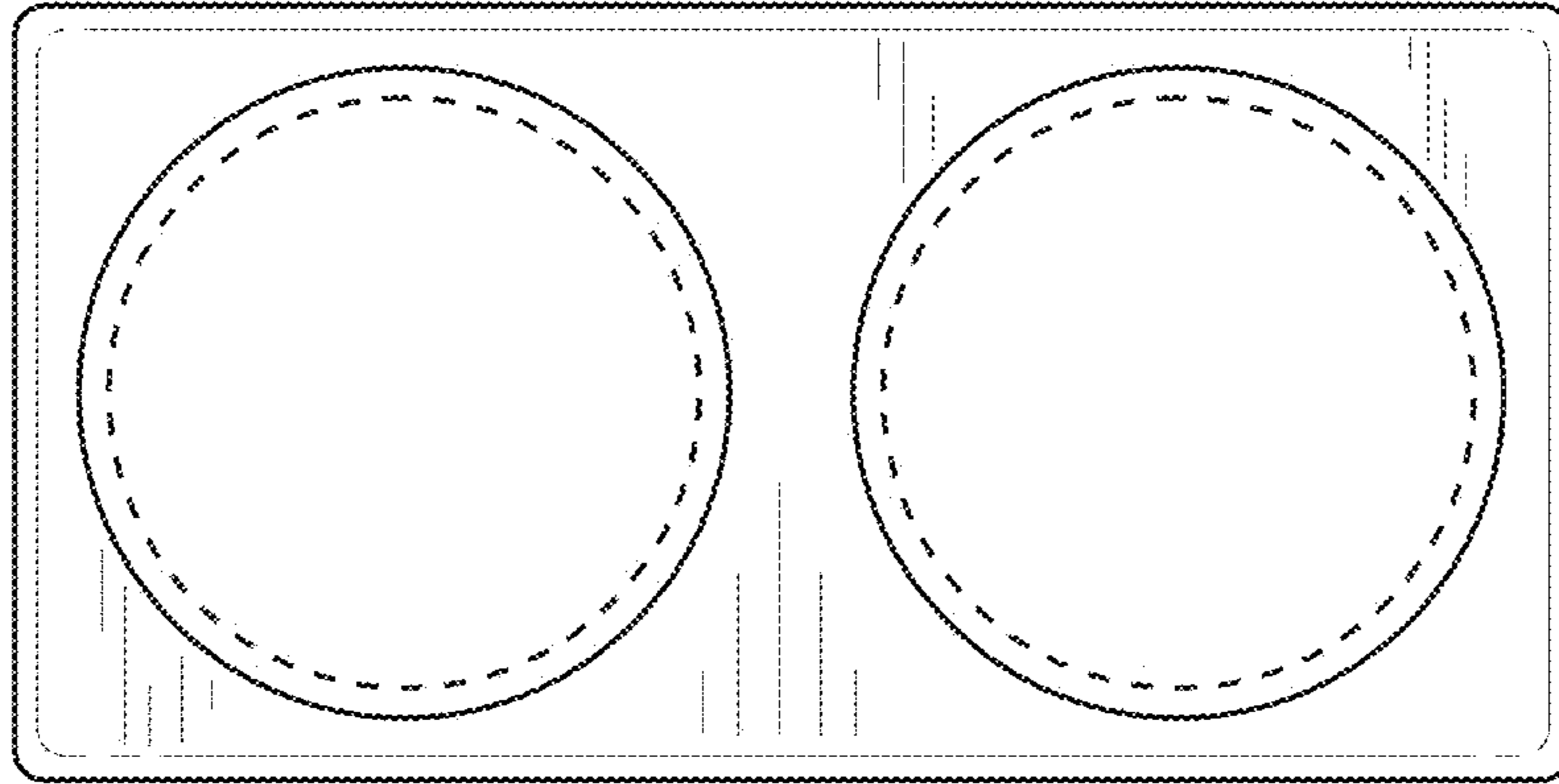


FIG. 6

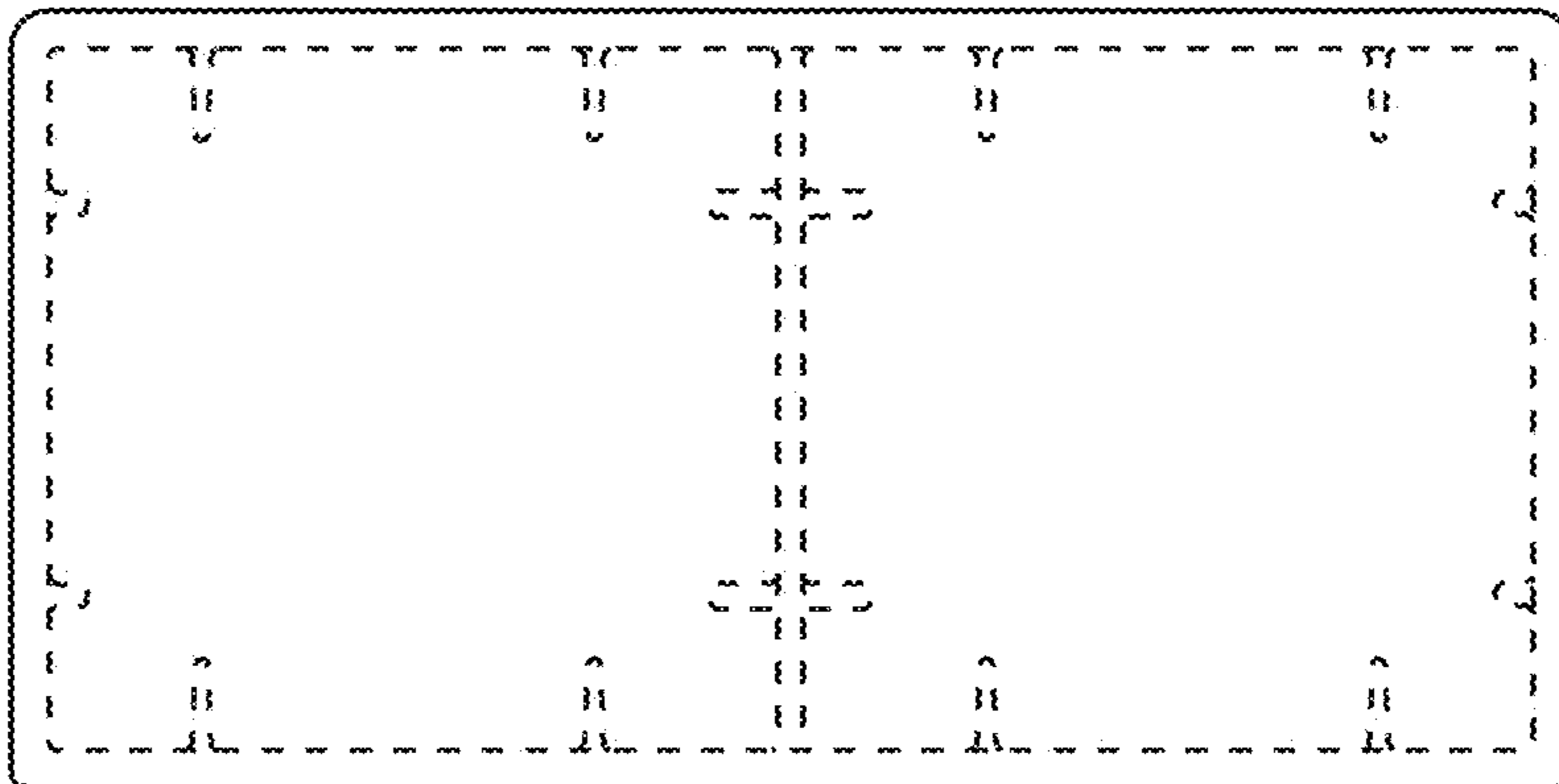


FIG. 7

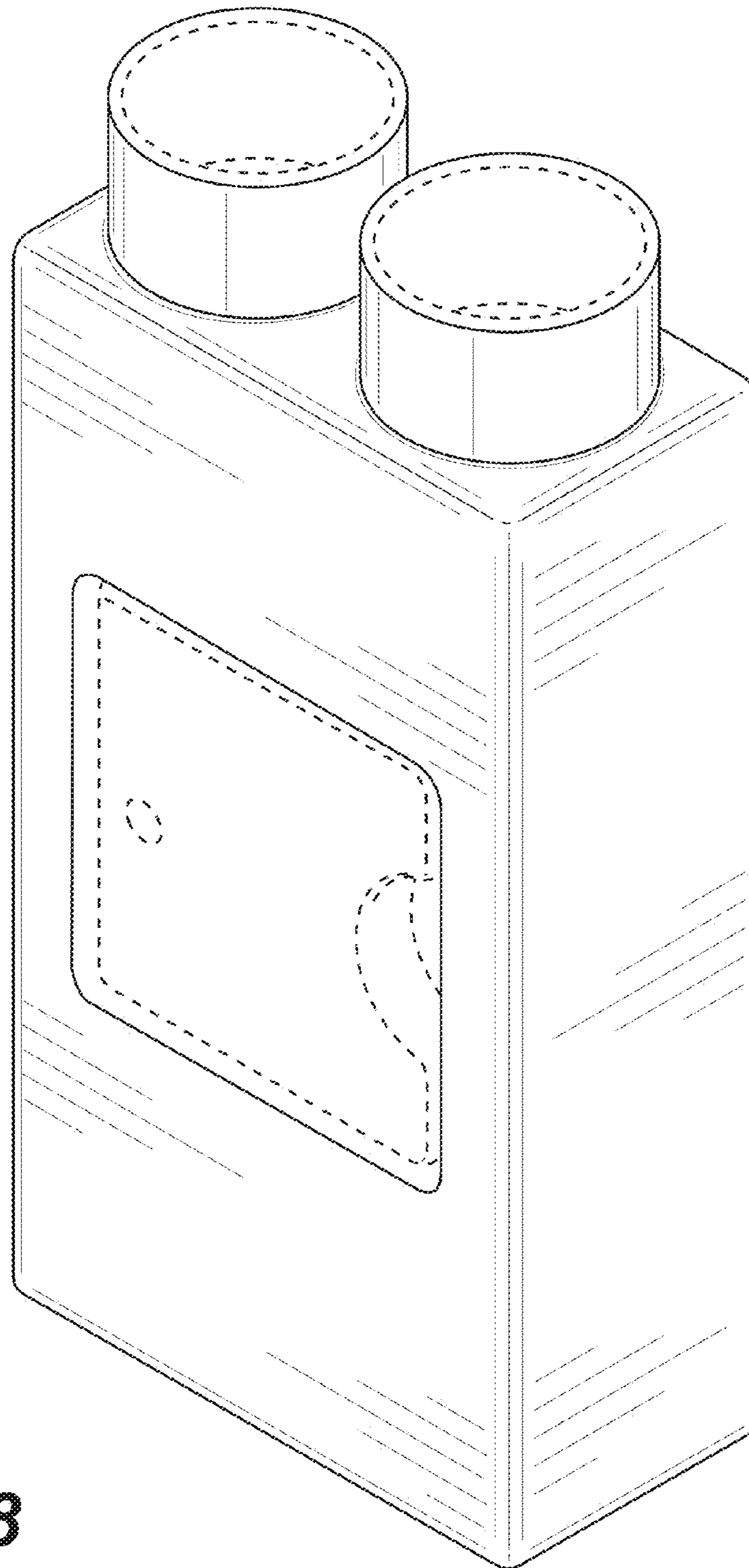


FIG. 8

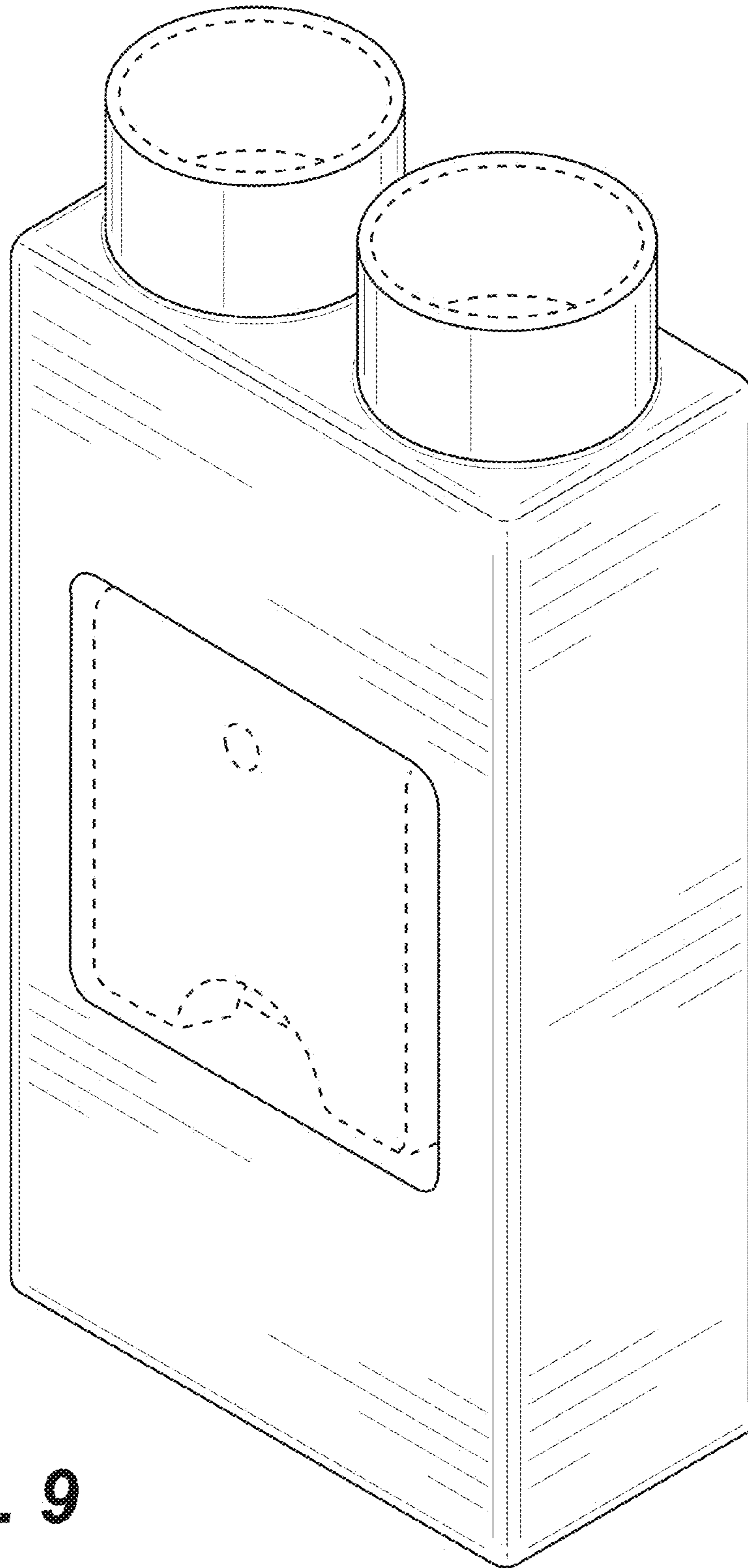


FIG. 9