



US00D751152S

(12) **United States Design Patent**
Pestel et al.

(10) **Patent No.:** **US D751,152 S**
(45) **Date of Patent:** **** Mar. 8, 2016**

- (54) **CONSTRUCTION SET ELEMENT**
- (71) Applicant: **MEGA Brands Inc.**, Montreal (CA)
- (72) Inventors: **Kevin Pestel**, Montreal (CA);
Marc-Andre Minguy, La Prairie (CA)
- (73) Assignee: **MEGA Brands Inc.**, Montreal, Quebec (CA)
- (**) Term: **14 Years**
- (21) Appl. No.: **29/515,653**
- (22) Filed: **Jan. 26, 2015**
- (51) **LOC (10) Cl.** **21-01**
- (52) **U.S. Cl.**
USPC **D21/501**; D21/494
- (58) **Field of Classification Search**
USPC D21/386, 389, 404, 468, 470, 471,
D21/484–505; 446/69, 85, 102–128;
434/208, 259, 403; 273/153, 156, 160;
D25/113–116, 118
CPC A63H 33/00; A63H 33/04; A63H 33/06;
A63H 33/08; A63H 33/084; A63H 33/086;
A63H 33/088; A63H 33/10; A63H 33/105;
A63H 33/108; A63H 33/52
See application file for complete search history.

- D331,433 S * 12/1992 Jarnros D21/494
- D351,005 S 9/1994 Hojlund et al.
- D360,658 S * 7/1995 Voldmester D21/501
- D360,908 S * 8/1995 Ruskai D21/501

(Continued)

OTHER PUBLICATIONS

Excerpt of 1997 Mega Bloks Catalog, 3 pages.
(Continued)

Primary Examiner — Cynthia M Chin

(74) *Attorney, Agent, or Firm* — Plumsea Law Group, LLC

(57) **CLAIM**

The ornamental design for a construction set element, as shown and described.

DESCRIPTION

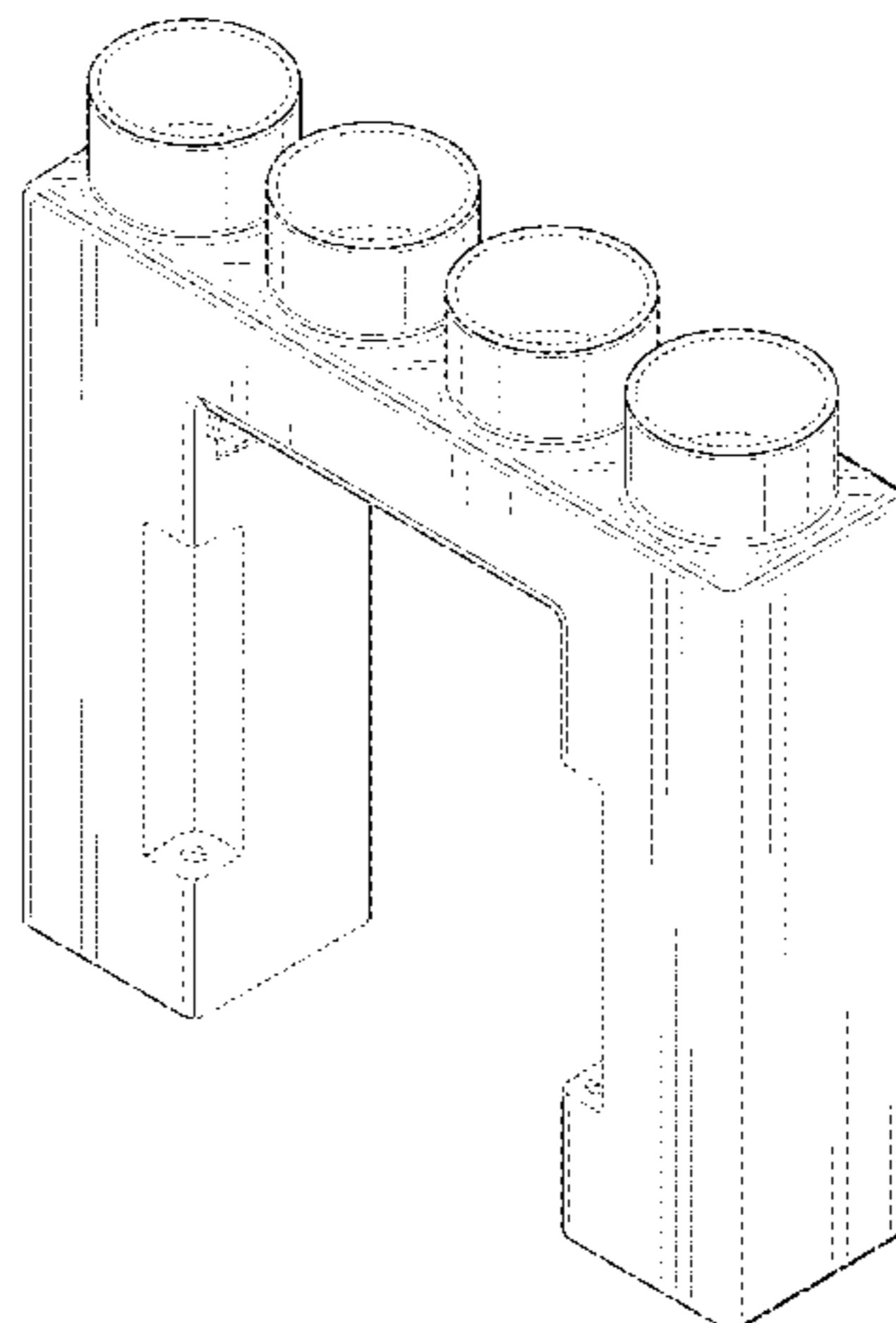
FIG. 1 is a top perspective view of a construction set element showing the new design;
 FIG. 2 is a front elevational view of the construction set element of FIG. 1;
 FIG. 3 is a rear elevational view of the construction set element of FIG. 1;
 FIG. 4 is a right side elevational view of the construction set element of FIG. 1;
 FIG. 5 is a left side elevational view of the construction set element of FIG. 1;
 FIG. 6 is a top plan view of the construction set element of FIG. 1;
 FIG. 7 is a bottom plan view of the construction set element of FIG. 1;
 FIG. 8 is a top perspective view of the construction set element of FIG. 1, with an embodiment of a closure construction set element held therein; and,
 FIG. 9 is a top perspective view of the construction set element of FIG. 1, with another embodiment of a closure construction set element held therein.
 The broken lines and unshaded areas form no part of the claimed design.

1 Claim, 7 Drawing Sheets

(56) **References Cited**

U.S. PATENT DOCUMENTS

- 1,935,542 A * 11/1933 Bursell A63H 3/52
446/110
- 3,284,946 A * 11/1966 Christiansen A63H 33/04
446/105
- 3,534,494 A * 10/1970 Majima A63H 33/04
446/102
- D290,722 S * 7/1987 Kushner D21/494
- D291,217 S * 8/1987 Tapdrup D21/490
- D295,643 S * 5/1988 Kushner D21/490
- D303,819 S * 10/1989 Frederiksen D21/497
- D308,233 S 5/1990 Fish, Jr.
- D308,234 S 5/1990 Fish, Jr.



(56)

References Cited

U.S. PATENT DOCUMENTS

D360,909 S 8/1995 Frederiksen
 D360,910 S 8/1995 Frederiksen
 D362,474 S 9/1995 Voldmester et al.
 D363,095 S 10/1995 Voldmester
 D364,656 S * 11/1995 Ruskai D21/494
 D384,989 S 10/1997 Andersen
 5,674,103 A 10/1997 Bean
 6,132,281 A 10/2000 Klitsner et al.
 D455,463 S 4/2002 Martin et al.
 D513,461 S * 1/2006 Kwok D6/630
 D537,484 S 2/2007 Ganderton
 D546,902 S 7/2007 Ganderton
 D562,412 S 2/2008 Tremblay et al.
 7,658,662 B2 2/2010 Tremblay et al.
 D614,707 S 4/2010 Ryaa
 D620,989 S * 8/2010 Ryaa D21/501
 D639,870 S * 6/2011 Madsen D21/494
 D647,698 S 11/2011 Cally

D647,699 S 11/2011 Cally
 D660,597 S 5/2012 Leblanc
 D676,653 S 2/2013 Leblanc
 D681,330 S 5/2013 Leblanc
 D684,364 S 6/2013 Leblanc
 D684,770 S 6/2013 Leblanc
 8,528,489 B2 9/2013 Roy et al.
 D699,439 S 2/2014 Leblanc
 D699,441 S 2/2014 Leblanc
 D699,442 S 2/2014 Leblanc
 D700,248 S 2/2014 Proulx et al.
 D707,554 S 6/2014 Lavoie

OTHER PUBLICATIONS

Excerpt of 2009 Mega Bloks Catalog, 16 pages.
 Excerpt of 2011 Mega Bloks Catalog, 12 pages.
 Excerpt of 2012 Mega Bloks Catalog, 22 pages.
 Excerpt of 2013 Mega Bloks Catalog, 3 pages.

* cited by examiner

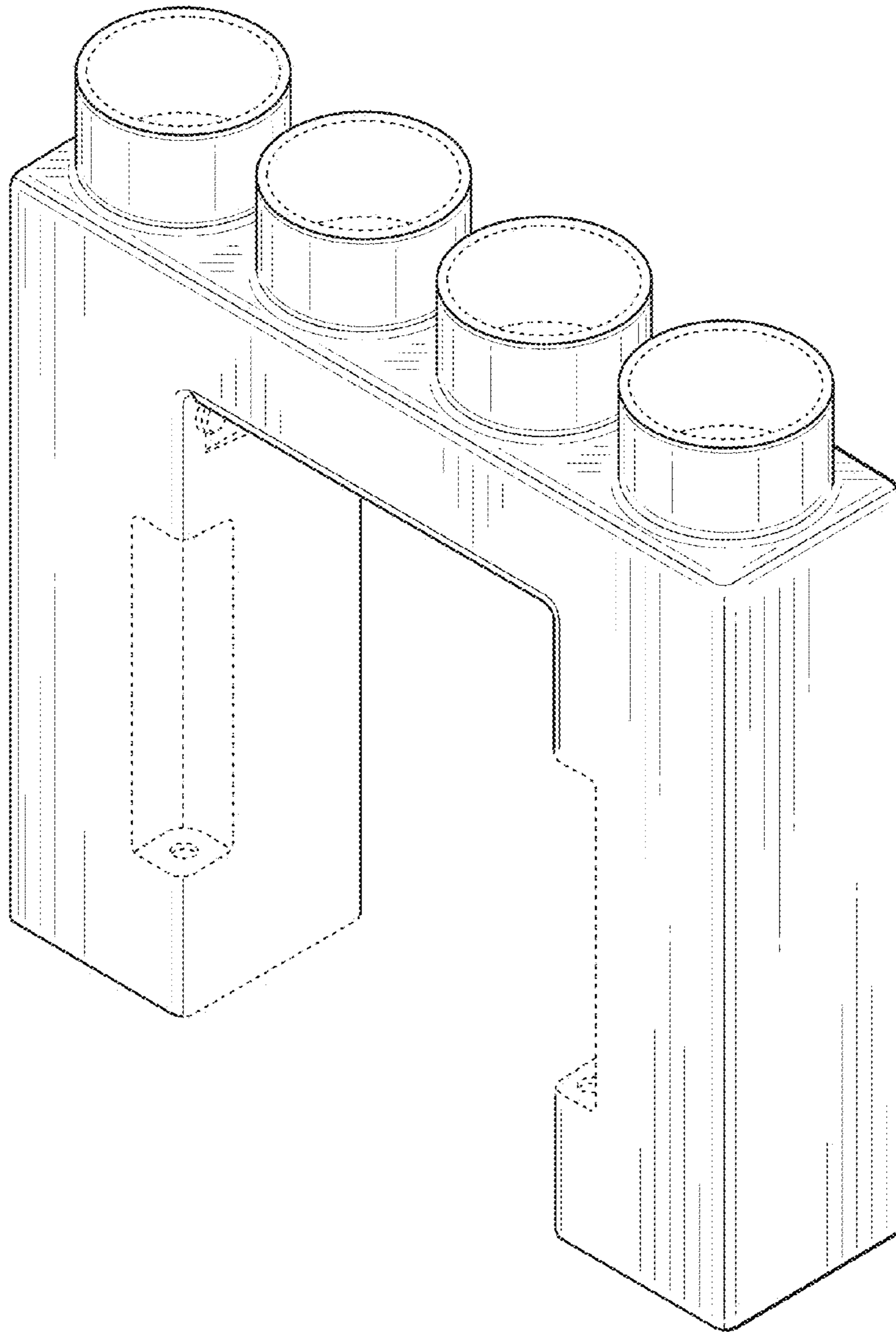


FIG. 1

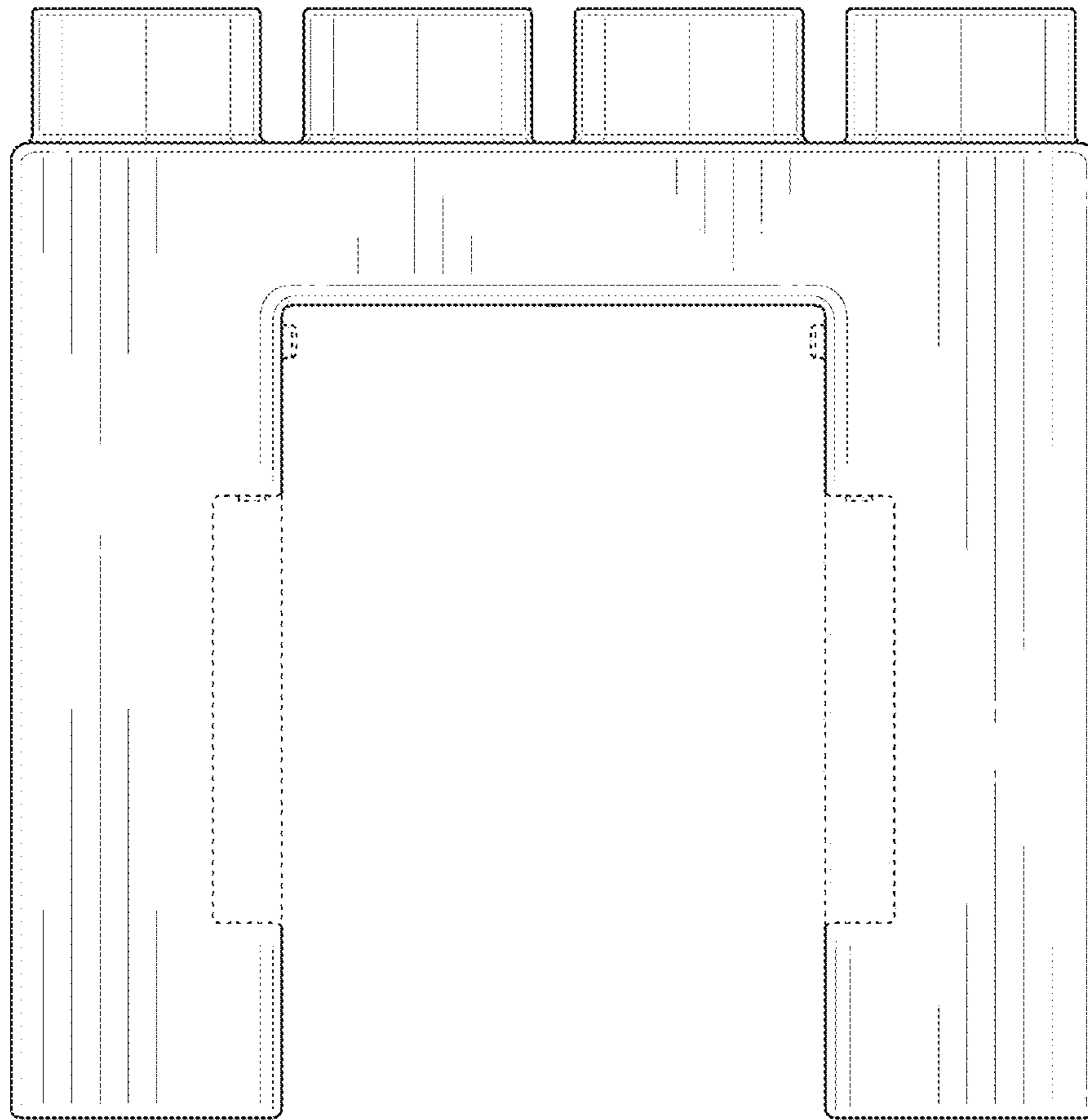


FIG. 2

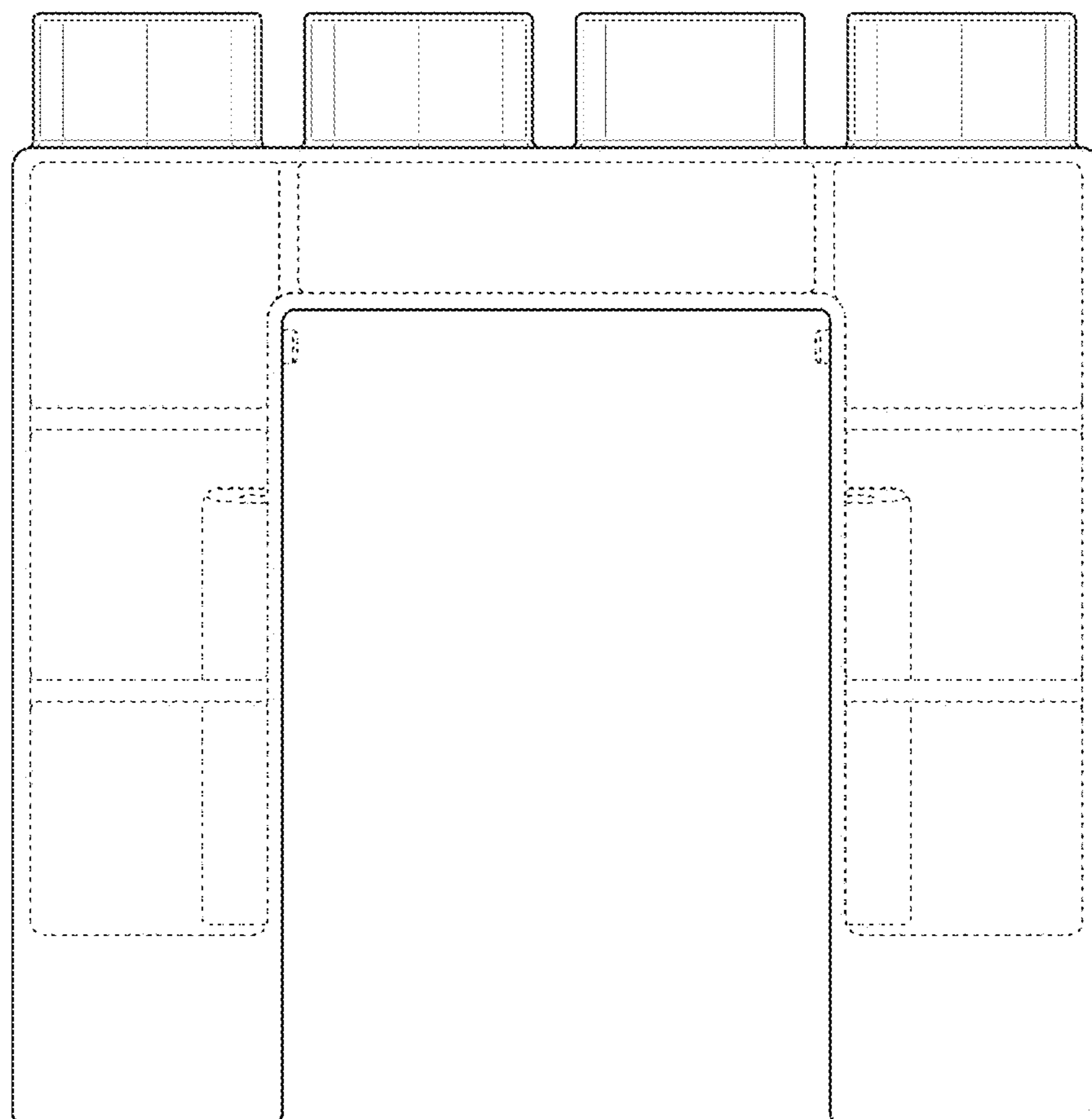


FIG. 3

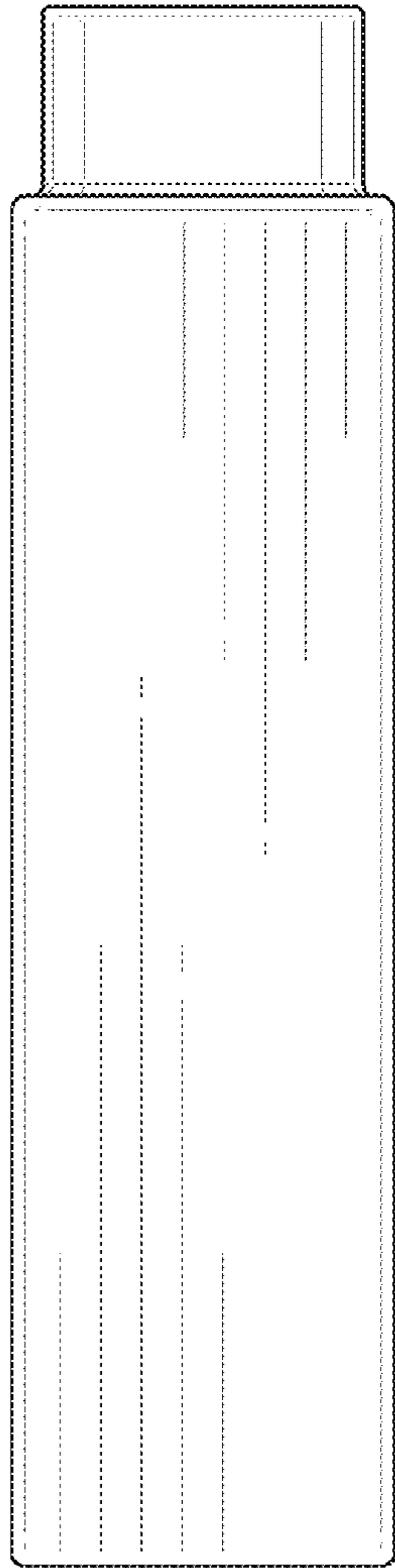


FIG. 4

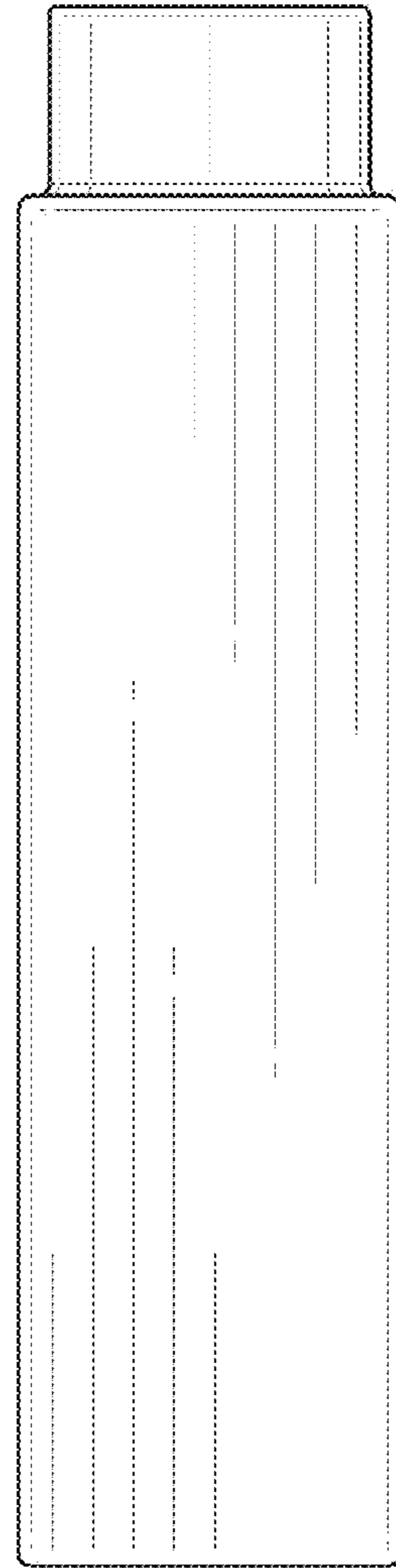


FIG. 5

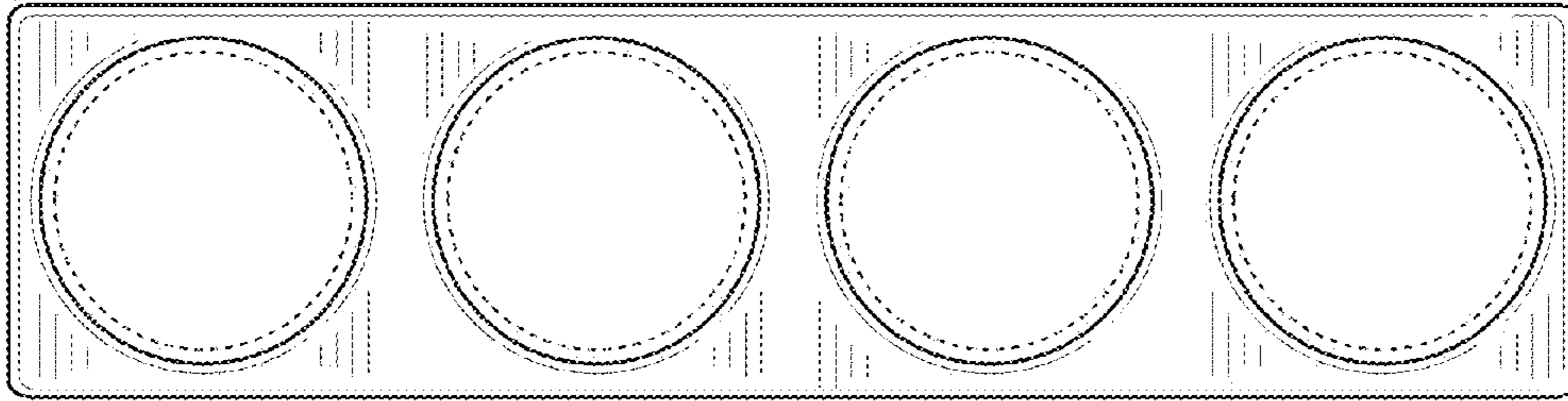


FIG. 6



FIG. 7

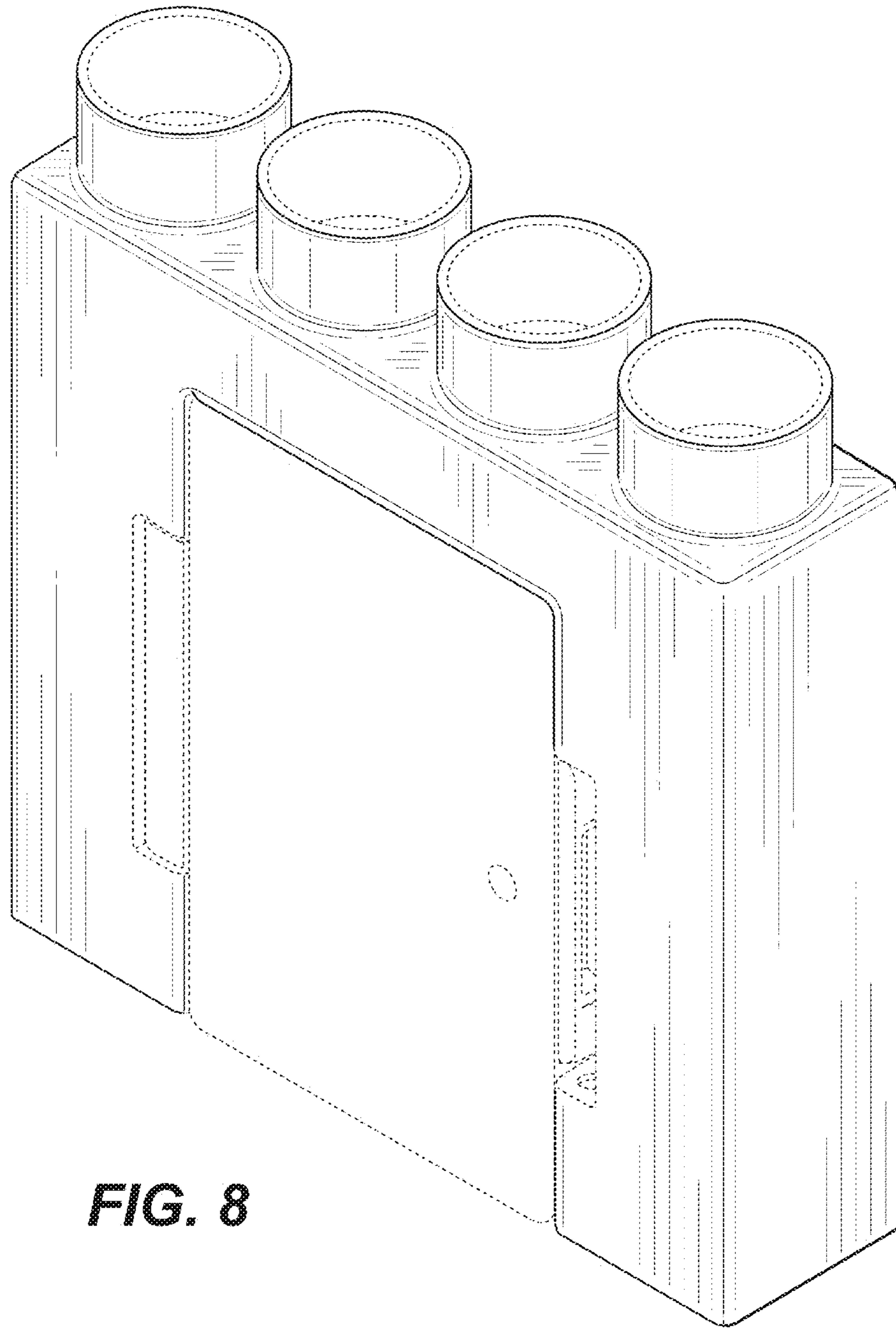


FIG. 8

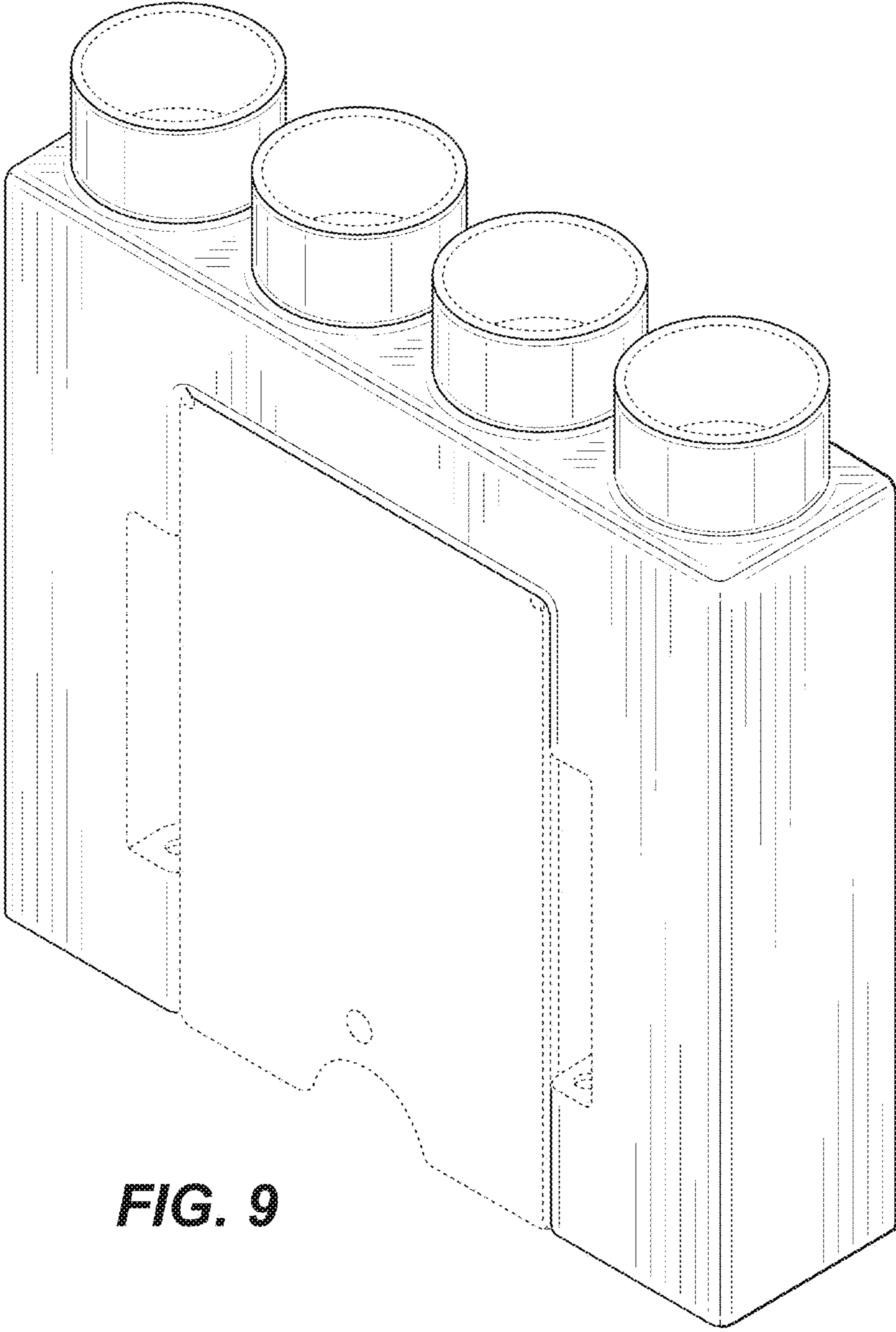


FIG. 9