



US00D751150S

(12) **United States Design Patent**  
**Chen**

(10) **Patent No.:** **US D751,150 S**  
(45) **Date of Patent:** **\*\* Mar. 8, 2016**

- (54) **TRAIN-SHAPED BUBBLE TOY**
- (71) Applicant: **Bo Chen**, Shantou (CN)
- (72) Inventor: **Bo Chen**, Shantou (CN)
- (\*\*) Term: **14 Years**
- (21) Appl. No.: **29/478,524**
- (22) Filed: **Jan. 6, 2014**
- (51) **LOC (10) Cl.** ..... **21-01**
- (52) **U.S. Cl.**  
USPC ..... **D21/401**
- (58) **Field of Classification Search**  
USPC ..... D21/401, 405, 476, 477, 533, 540, 541;  
446/15, 19–21, 267, 409, 410, 427,  
446/431–471, 475  
CPC ..... A63H 33/28; A63H 33/30; A63H 17/00;  
A63H 19/14; A63H 21/00  
See application file for complete search history.

5,613,890	A	3/1997	DeMars	
D389,534	S	* 1/1998	Schulz	D21/541
5,730,325	A	3/1998	Cheung	
5,975,358	A	11/1999	Zheng et al.	
D425,946	S	* 5/2000	Wei	D21/541
6,682,570	B2	1/2004	Thai	
D497,189	S	* 10/2004	Lau	D21/541
6,969,293	B2	11/2005	Thai	
D514,173	S	1/2006	McBride et al.	
7,059,930	B2	6/2006	Choi	
7,172,485	B2	2/2007	Thai	
7,731,064	B2	6/2010	Chuang et al.	
7,922,039	B2	4/2011	Jablonski et al.	
2002/0132557	A1	9/2002	Yu	
2006/0163278	A1	7/2006	Yeung	
2012/0270462	A1	10/2012	Lo	

(56) **References Cited**

**U.S. PATENT DOCUMENTS**

2,675,641	A	*	4/1954	Baggott	446/18
3,264,782	A	*	8/1966	Glass et al.	446/435
D210,841	S	*	4/1968	Genin	D21/541
3,399,485	A		9/1968	Cashavelly et al.	
3,528,193	A	*	9/1970	Yamakawa	446/86
3,532,022	A	*	10/1970	Genin	84/102
D221,163	S	*	7/1971	Tong	D21/541
3,688,436	A	*	9/1972	Wakimura	104/307
D262,641	S	*	1/1982	Saitoh	D21/541
D264,859	S	*	6/1982	Shiraishi	D21/541
4,334,383	A		6/1982	Melotti	
4,367,608	A	*	1/1983	Melotti	446/20
4,432,159	A	*	2/1984	Kanno	446/410
D289,537	S	*	4/1987	Leung	D21/541
D318,880	S	*	8/1991	Cheung et al.	D19/59
5,074,437	A		12/1991	D'Andrade et al.	
D331,609	S		12/1992	LaFata	
5,234,129	A		8/1993	Lau	
D354,311	S	*	1/1995	Tarozzi	D19/82
5,395,274	A	*	3/1995	Myers	446/16

**FOREIGN PATENT DOCUMENTS**

CN 301861650 \* 3/2012

\* cited by examiner

*Primary Examiner* — Catherine Tuttle

(74) *Attorney, Agent, or Firm* — Minder Law Group; Willy H. Wong

(57) **CLAIM**

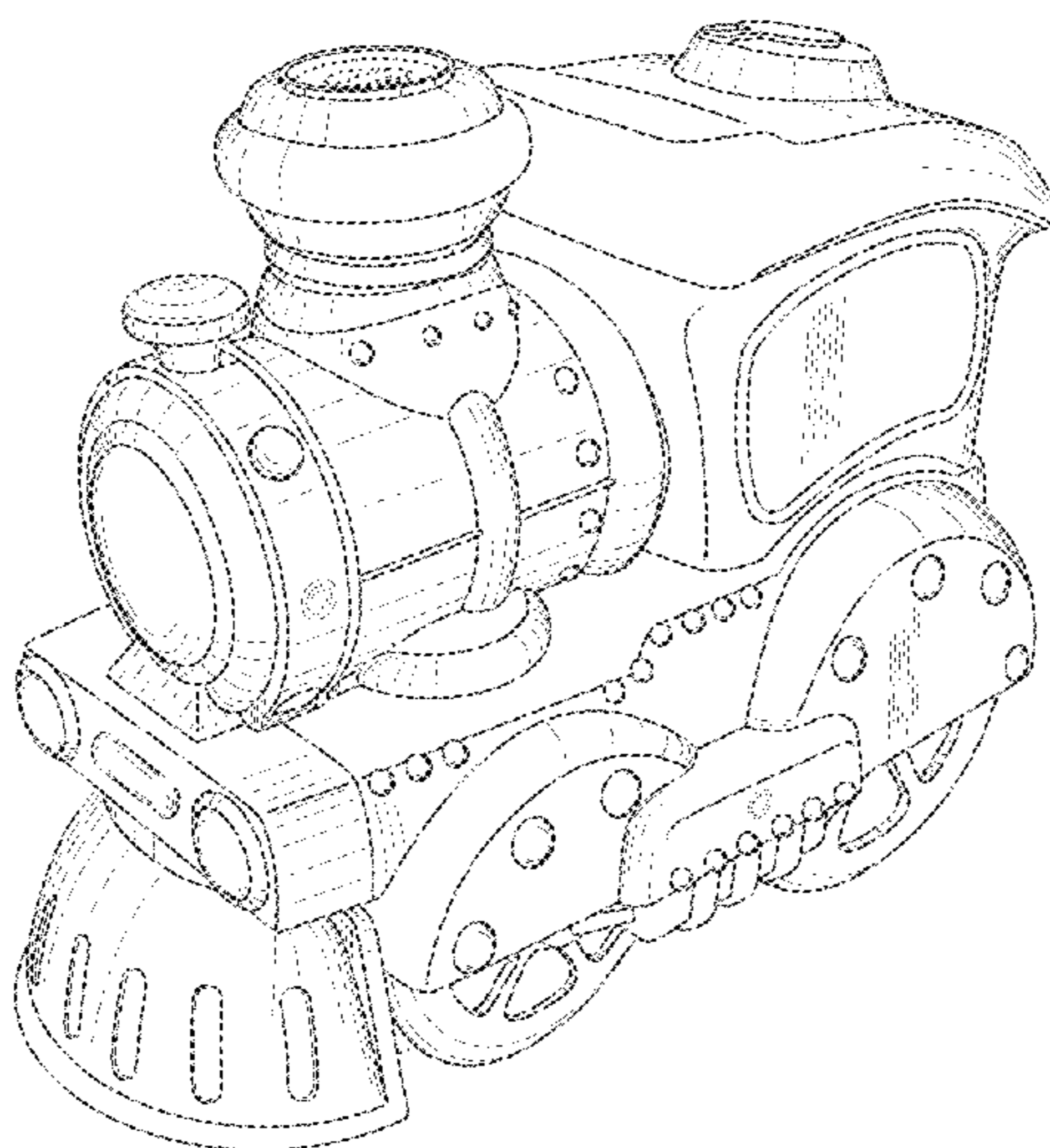
The ornamental design for a train-shaped bubble toy, as shown and described.

**DESCRIPTION**

FIG. 1 is a perspective view of a train-shaped bubble toy showing my new design;  
FIG. 2 is a left side view thereof;  
FIG. 3 is a right side view thereof;  
FIG. 4 is a front view thereof;  
FIG. 5 is a rear view thereof;  
FIG. 6 is a top view thereof; and,  
FIG. 7 is a bottom view thereof.

The broken lines are included for the purpose of illustrating a portion of the train-shaped bubble toy that forms no part of the claimed design.

**1 Claim, 7 Drawing Sheets**



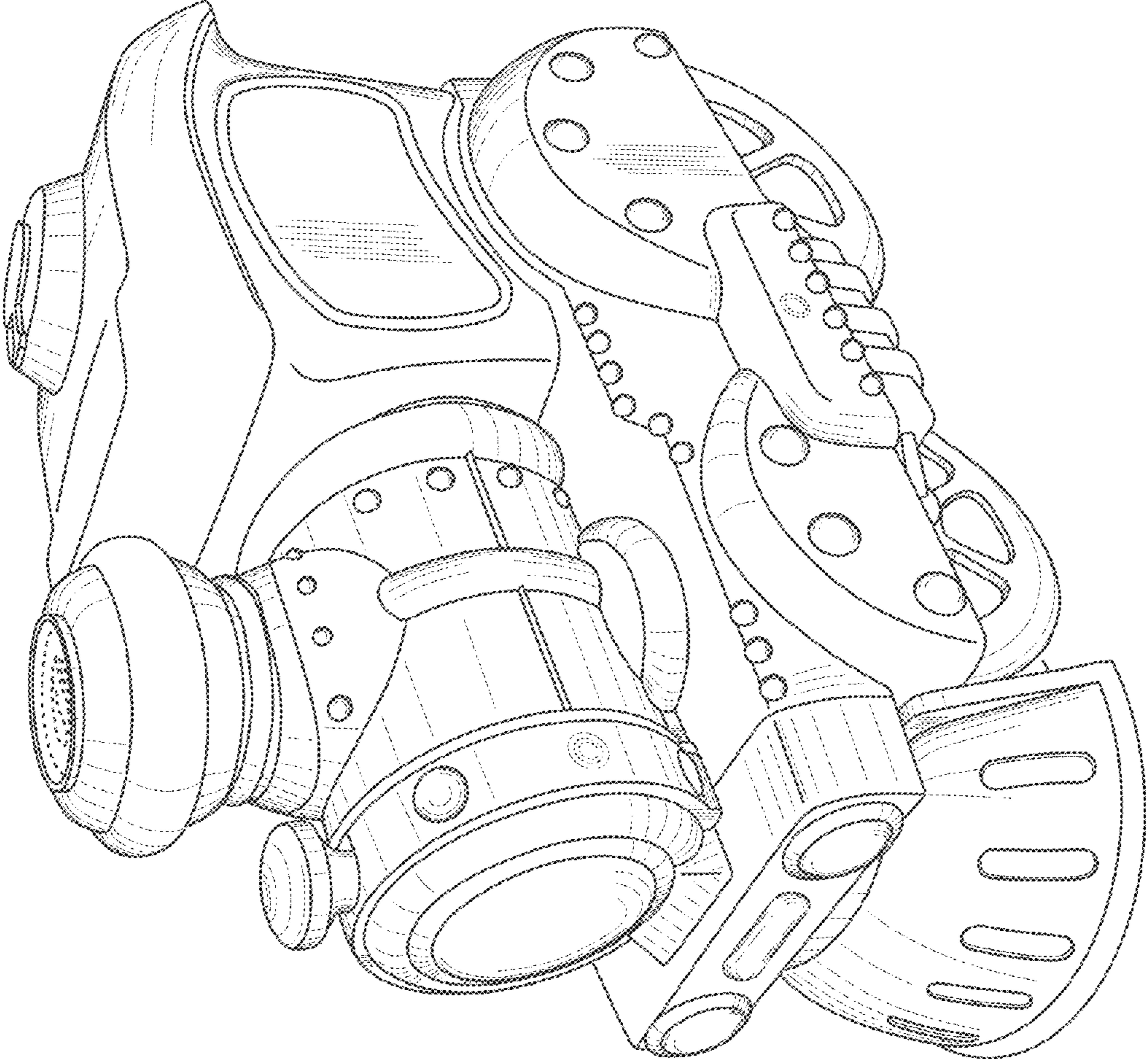


Fig.1

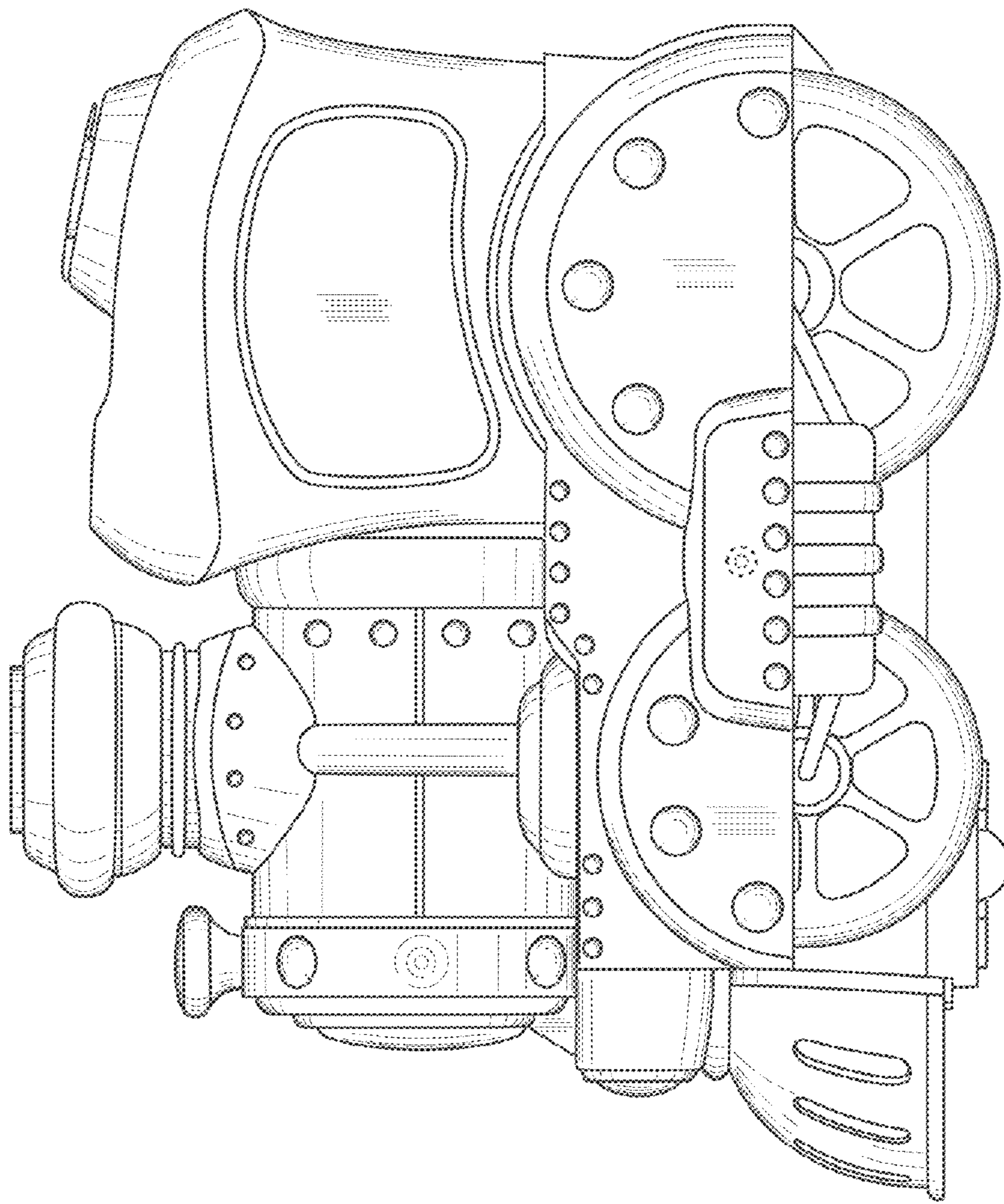


Fig.2

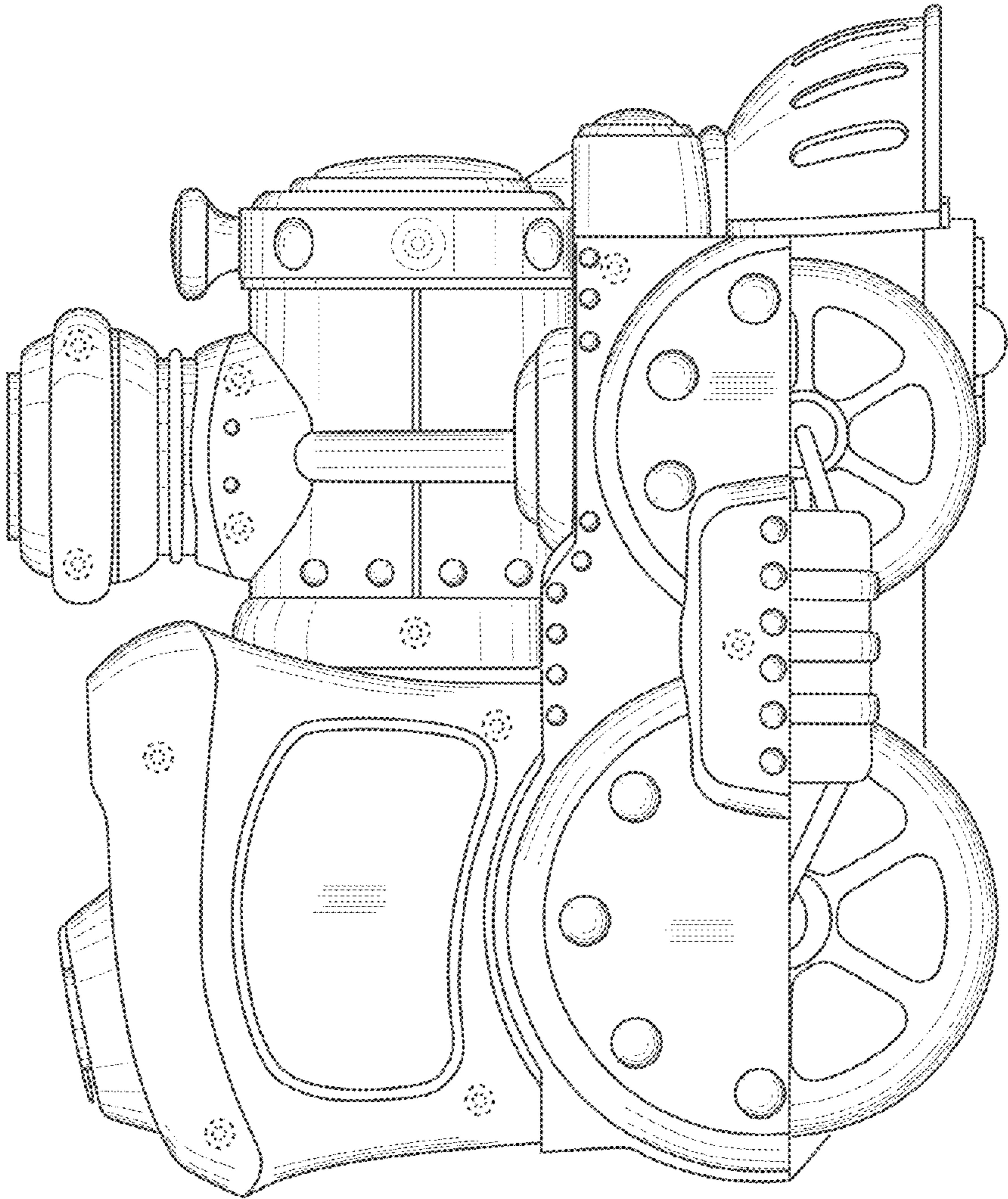


Fig.3

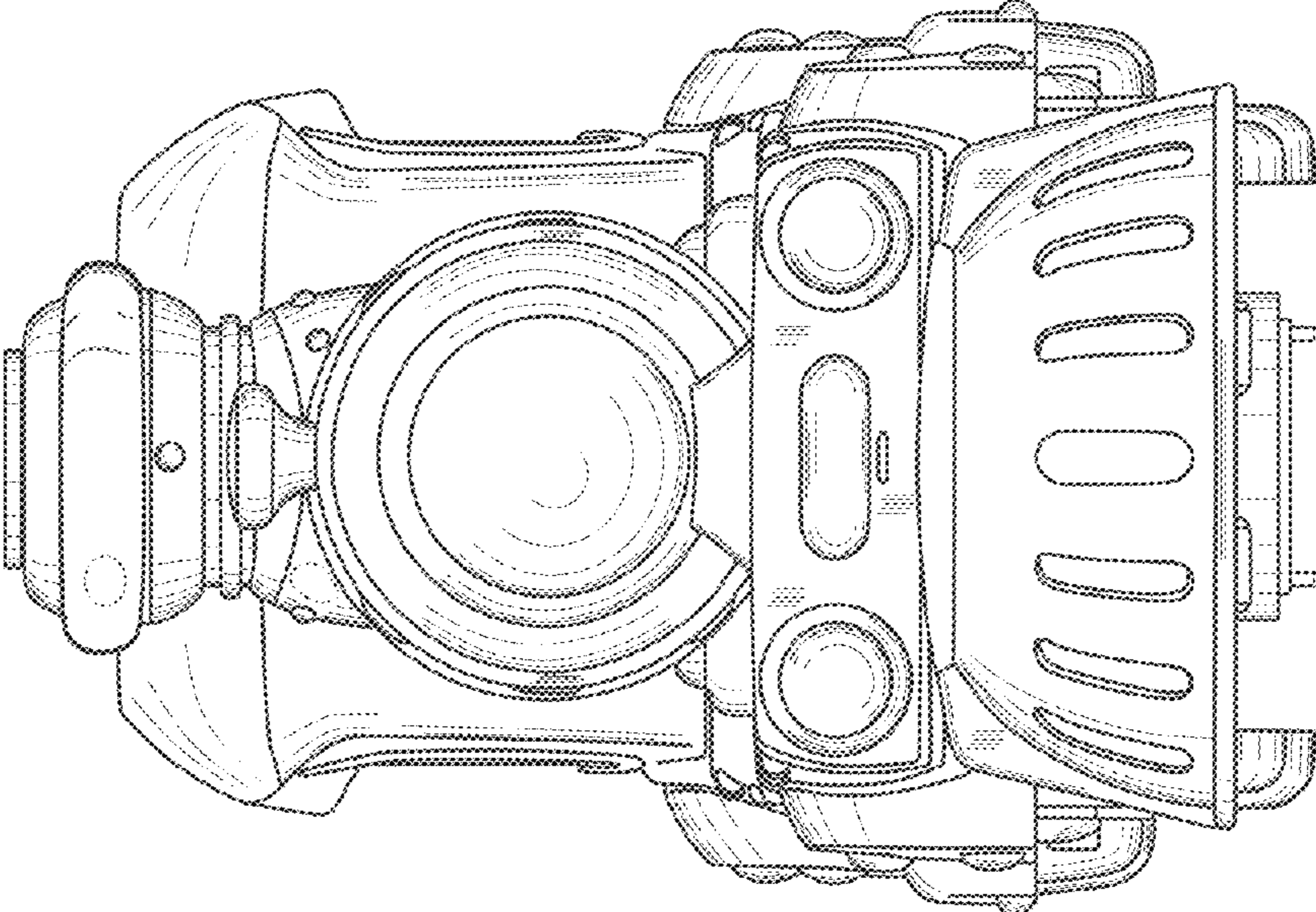


Fig.4

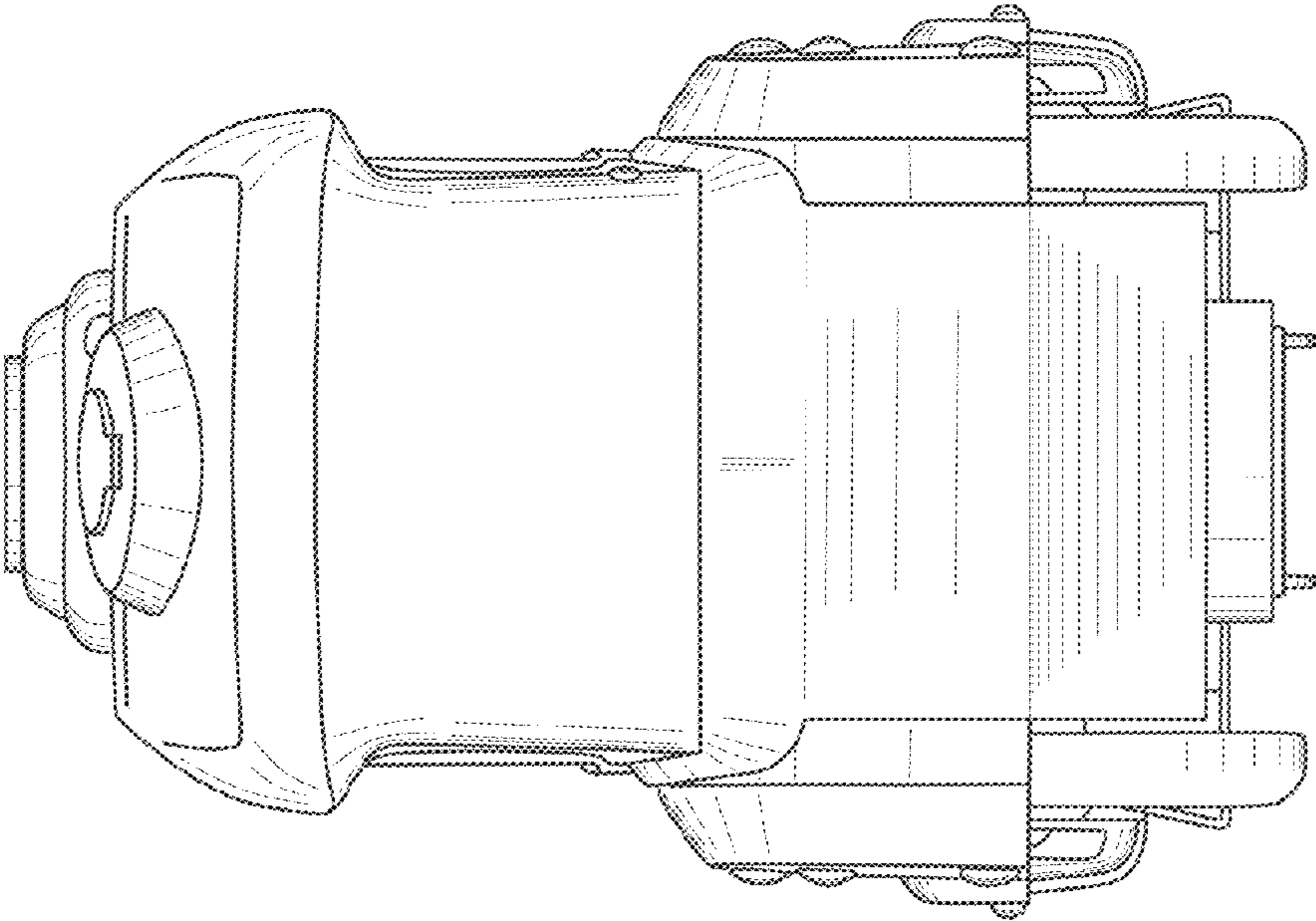


Fig.5

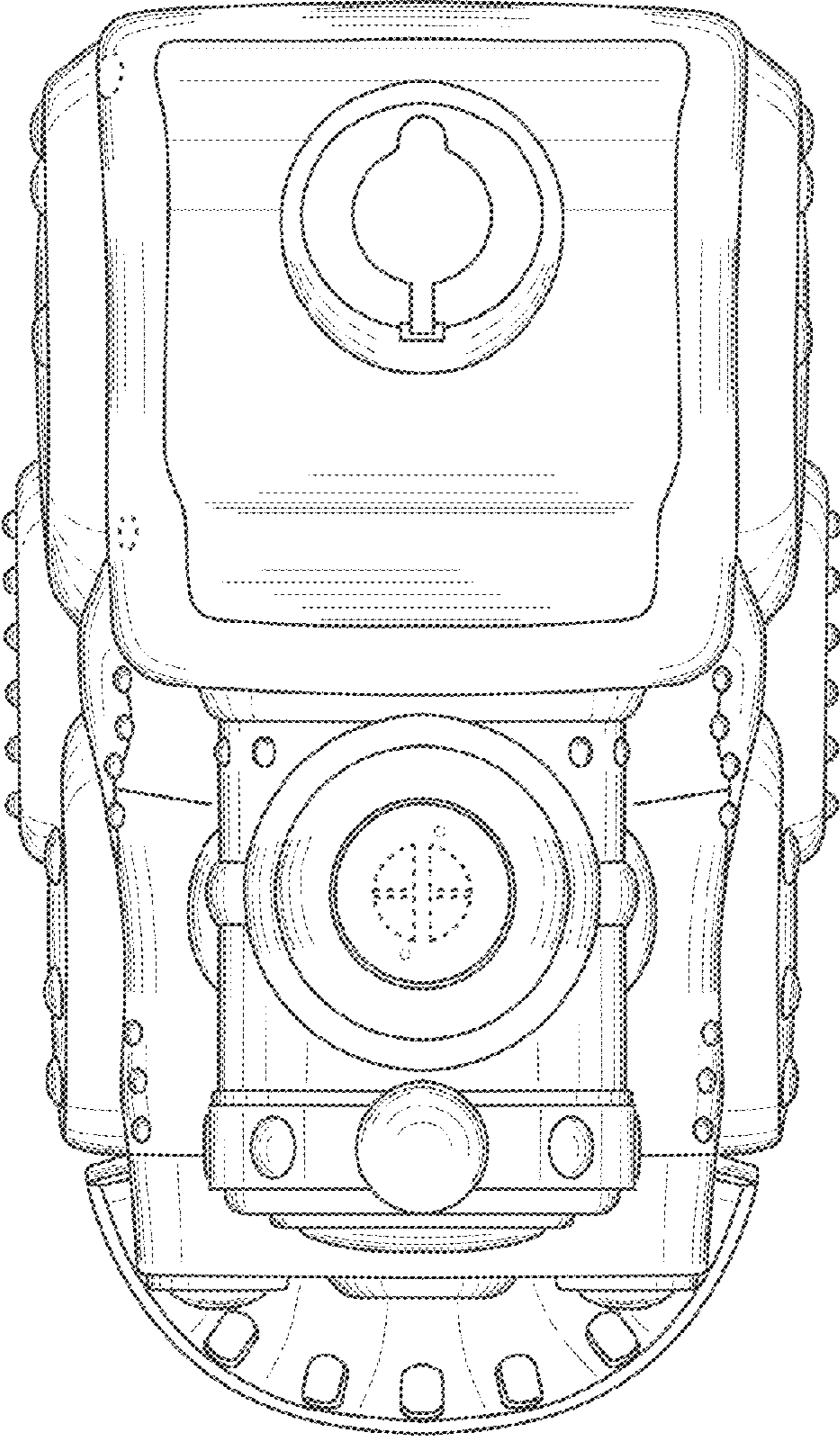


Fig.6

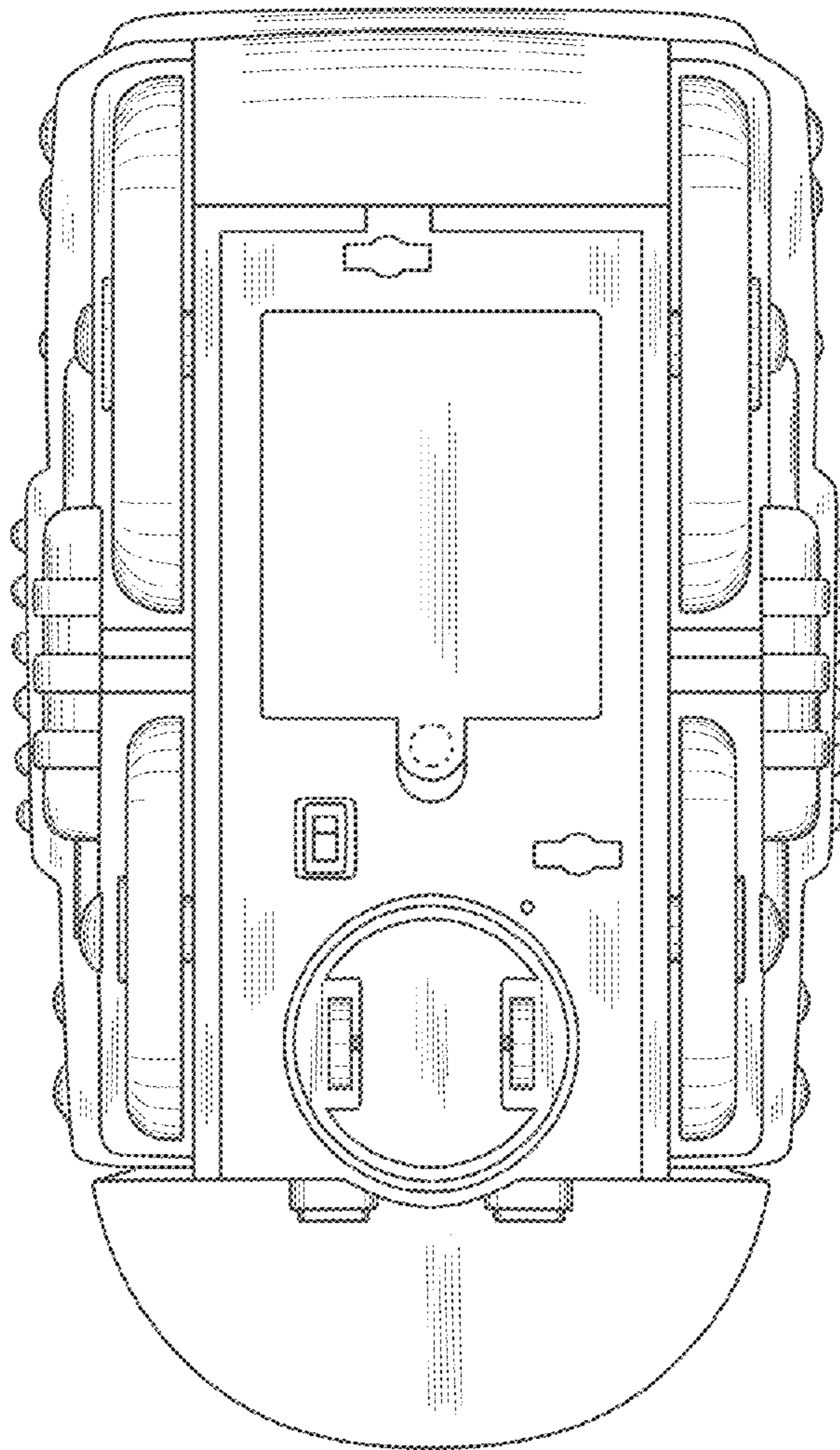


Fig.7