



US00D751145S

(12) **United States Design Patent**  
**Candela**

(10) **Patent No.:** **US D751,145 S**  
(45) **Date of Patent:** **\*\* Mar. 8, 2016**

(54) **MARKER**  
(71) Applicant: **F.I.L.A.—FABBRICA ITALIANA**  
**LAPIS ED AFFINI S.P.A., Milan (IT)**  
(72) Inventor: **Massimo Candela, Pero (IT)**  
(73) Assignee: **F.I.L.A.—FABBRICA ITALIANA**  
**LAPIS ED AFFINI S.P.A., Pero (IT)**  
(\*\*) Term: **14 Years**  
(21) Appl. No.: **29/515,668**  
(22) Filed: **Jan. 26, 2015**

2,452,504 A 10/1948 Tefft  
2,608,953 A 9/1952 Kollsman  
2,803,219 A 8/1957 Stoeberl  
2,871,824 A 2/1959 Sams  
2,883,969 A 4/1959 Sams  
2,972,335 A 2/1961 Grube et al.  
4,798,582 A 1/1989 Sarath et al.  
4,826,341 A 5/1989 Kwak  
D303,992 S 10/1989 Grotsch  
5,048,989 A 9/1991 Stageman  
D322,282 S 12/1991 Mishima  
5,165,814 A 11/1992 Buda  
5,577,850 A 11/1996 Mishima  
D378,762 S 4/1997 Kikuchi et al.  
D386,526 S 11/1997 Ito  
5,961,367 A \* 10/1999 Morris ..... A01M 31/004  
401/84  
6,123,476 A 9/2000 Rosenthal  
7,172,359 B2 2/2007 Mock

(30) **Foreign Application Priority Data**

Jun. 21, 2013 (EM) ..... 001375448-0001  
Jun. 21, 2013 (EM) ..... 001375448-0002  
Jun. 21, 2013 (EM) ..... 001375448-0003  
Jun. 21, 2013 (EM) ..... 001375448-0004  
Jun. 21, 2013 (EM) ..... 001375448-0005  
Jun. 21, 2013 (EM) ..... 001375448-0006

(51) **LOC (10) Cl.** ..... **19-06**  
(52) **U.S. Cl.**  
USPC ..... **D19/185; D19/927; D19/934**

(58) **Field of Classification Search**  
USPC ..... D14/411; D19/115–204, 904, 905, 906,  
D19/913, 914, 916, 917, 918, 927; 24/11 F,  
24/11 P, 11 R; 401/192, 195, 196  
CPC ..... B43K 7/00; B43K 7/005; B43K 7/12;  
B43K 8/00; B43K 8/003; B43K 8/02; B43K  
8/022; B43K 8/024; B43K 21/027; B43K  
21/18

See application file for complete search history.

(56) **References Cited**

**U.S. PATENT DOCUMENTS**

1,578,565 A 3/1926 Wahl  
1,861,466 A 6/1932 Bafetti

(Continued)

**FOREIGN PATENT DOCUMENTS**

EP 1857014 A2 11/2007  
EP 2201859 A1 6/2010

(Continued)

*Primary Examiner* — Elizabeth Albert

(74) *Attorney, Agent, or Firm* — Pearne & Gordon LLP

(57) **CLAIM**

The ornamental design for a marker, as shown and described.

**DESCRIPTION**

FIG. 1 is a perspective view of a marker showing my new design;

FIG. 2 is a front elevational view thereof;

FIG. 3 is a back elevational view thereof;

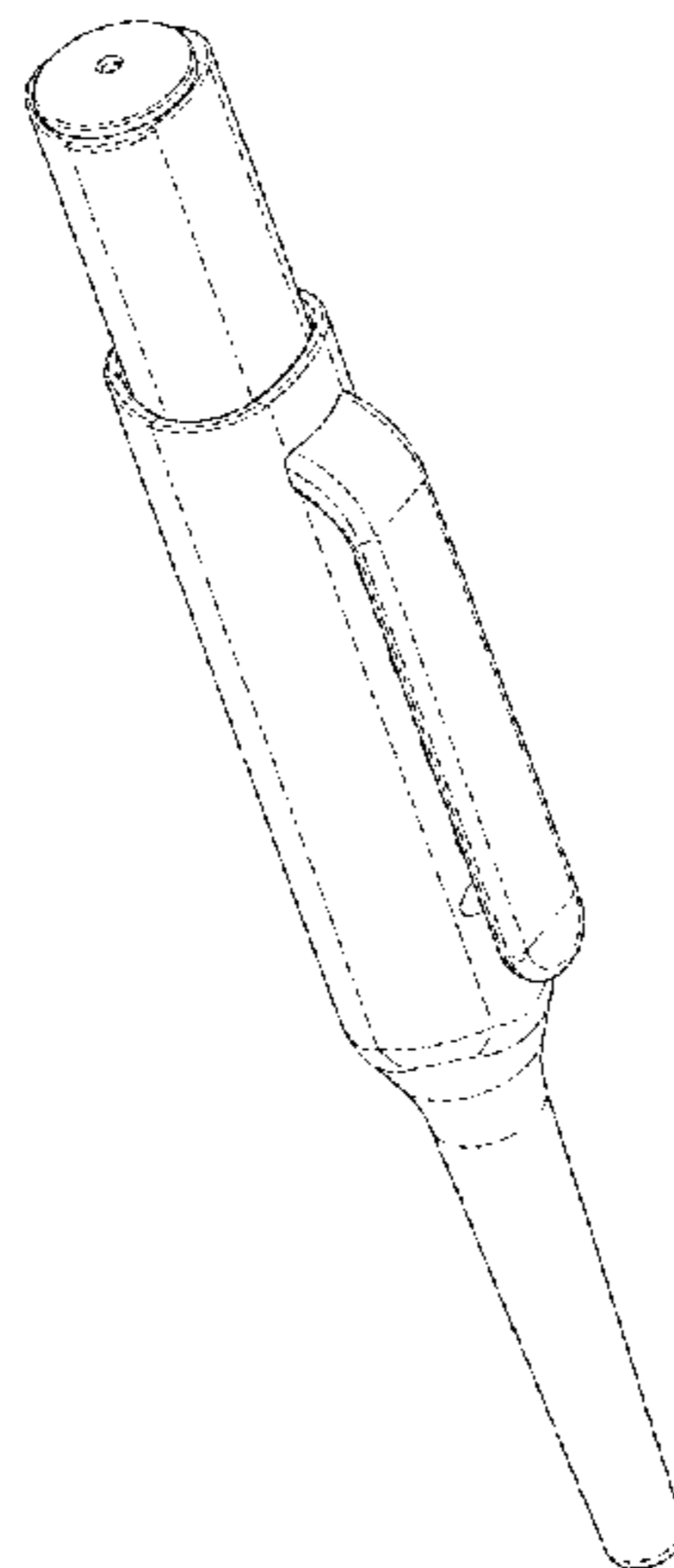
FIG. 4 is a left side elevational view thereof;

FIG. 5 is a right side elevational view thereof;

FIG. 6 is a bottom plan view thereof; and,

FIG. 7 is a top plan view thereof.

**1 Claim, 6 Drawing Sheets**



(56)

**References Cited**

U.S. PATENT DOCUMENTS

D580,976 S 11/2008 Kida et al.  
D582,479 S 12/2008 Cetera  
D601,192 S 9/2009 Chen  
D604,768 S 11/2009 Andoh et al.  
D670,699 S 11/2012 Sato  
D671,167 S 11/2012 Nichols et al.  
8,439,587 B2 5/2013 Okabe  
D705,868 S 5/2014 Harrison

D714,386 S 9/2014 Au  
2007/0274767 A1 11/2007 Greenberg  
2014/0369735 A1\* 12/2014 Candela ..... B43K 21/027  
401/66

FOREIGN PATENT DOCUMENTS

GB 2277905 A 11/1994  
WO 2008146554 A1 12/2008

\* cited by examiner

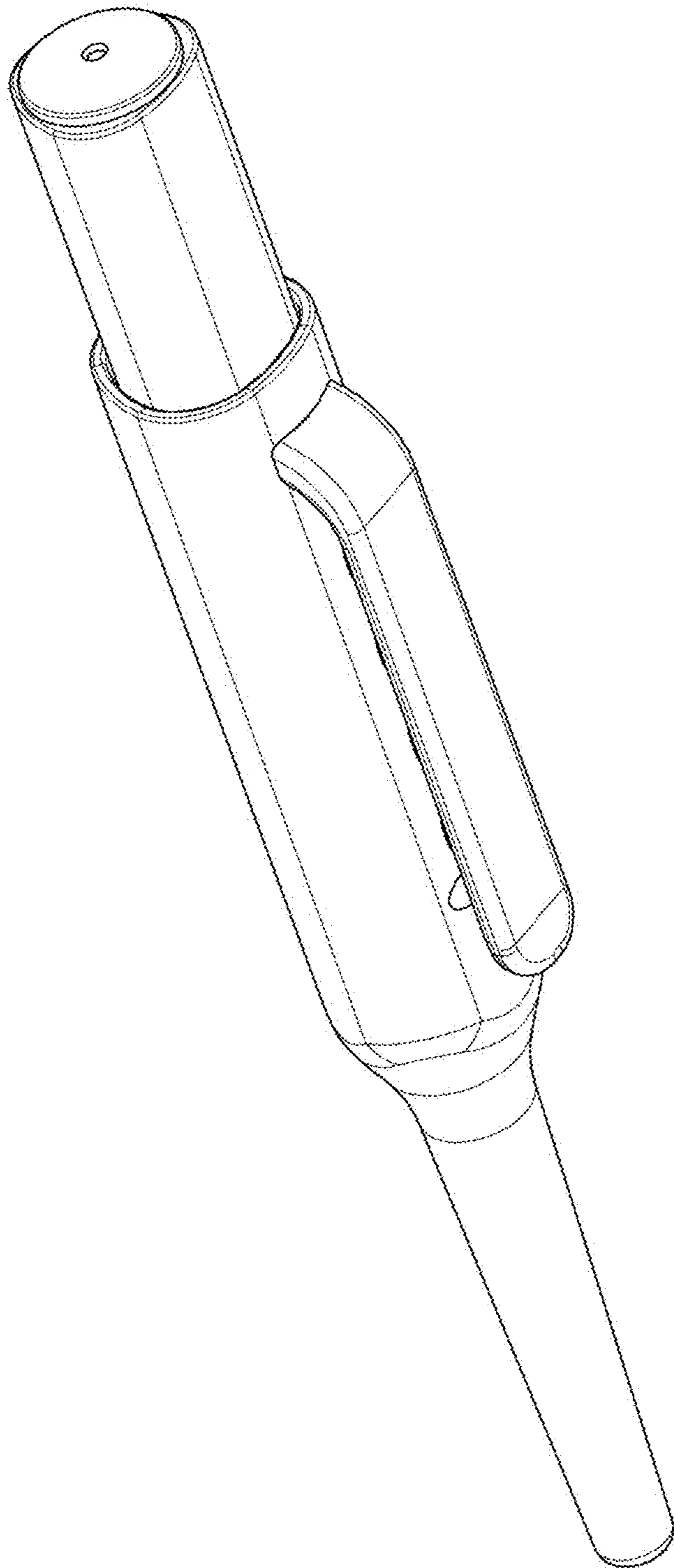


FIG. 1

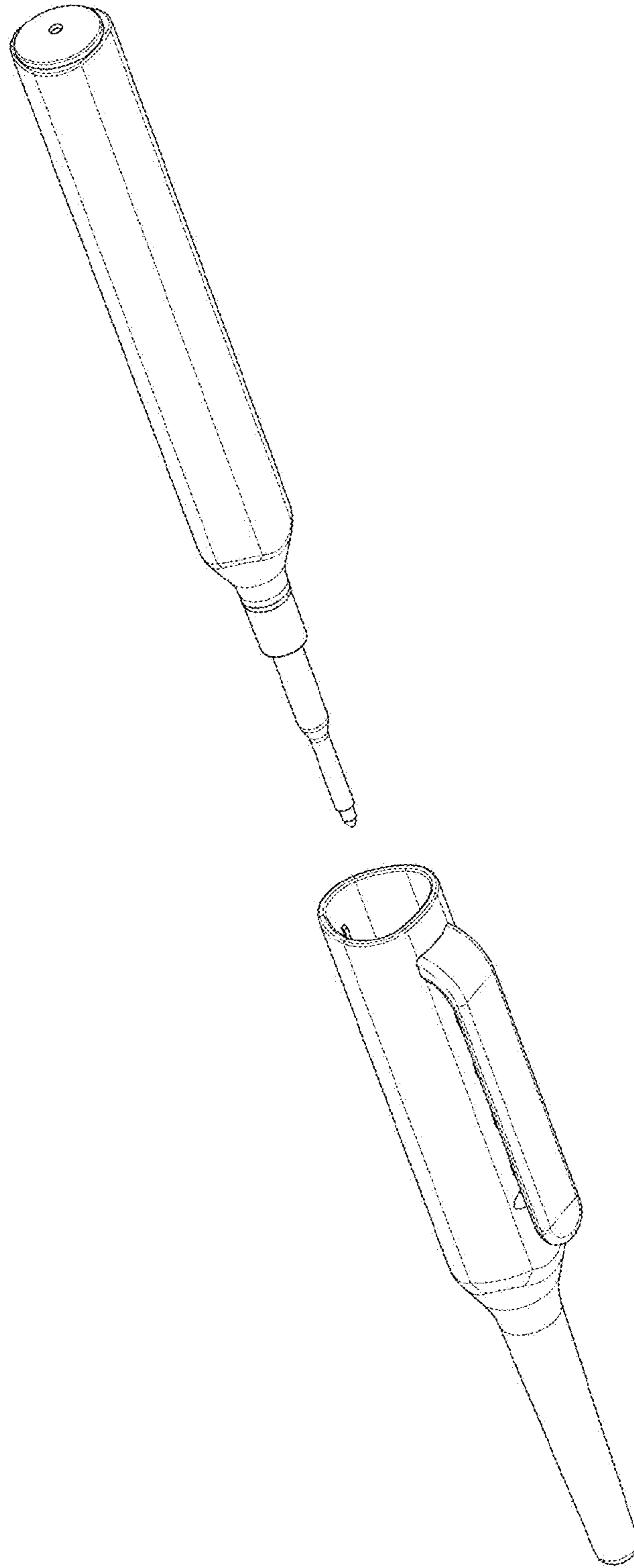


FIG. 2

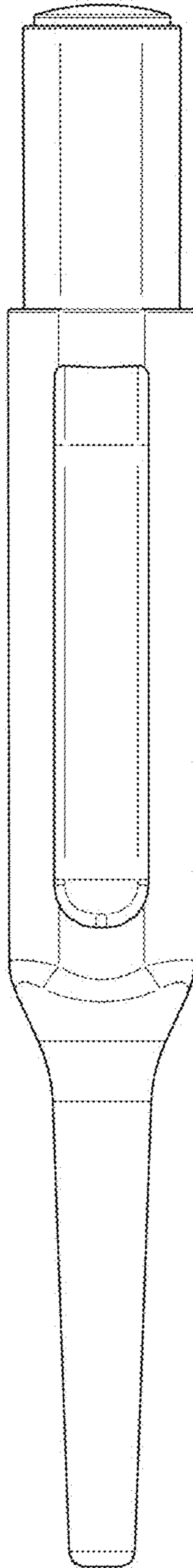


FIG. 3

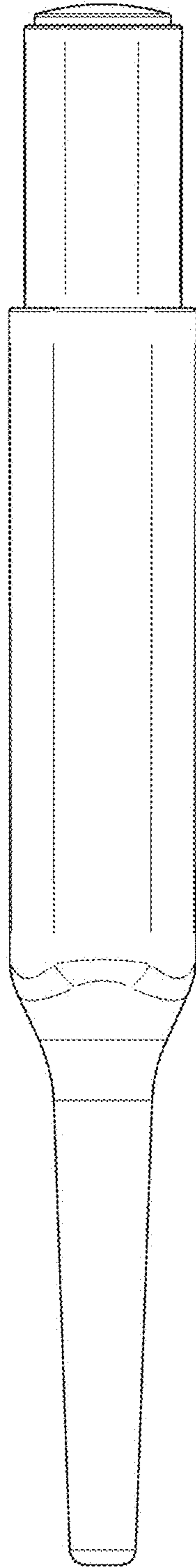


FIG. 4

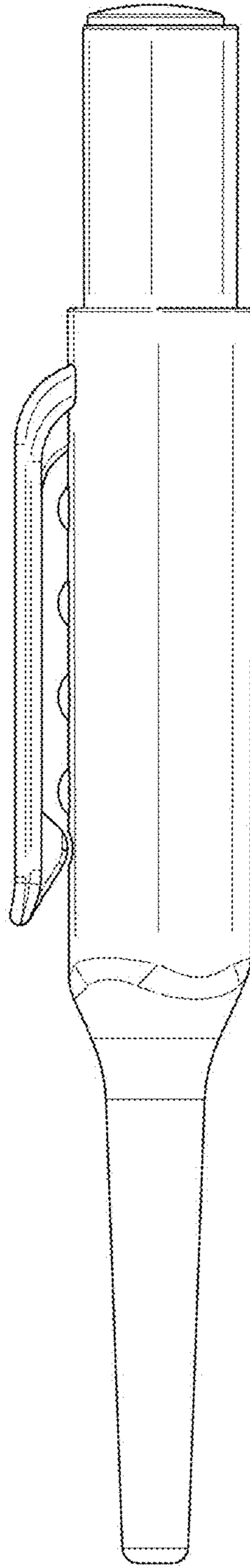


FIG. 5

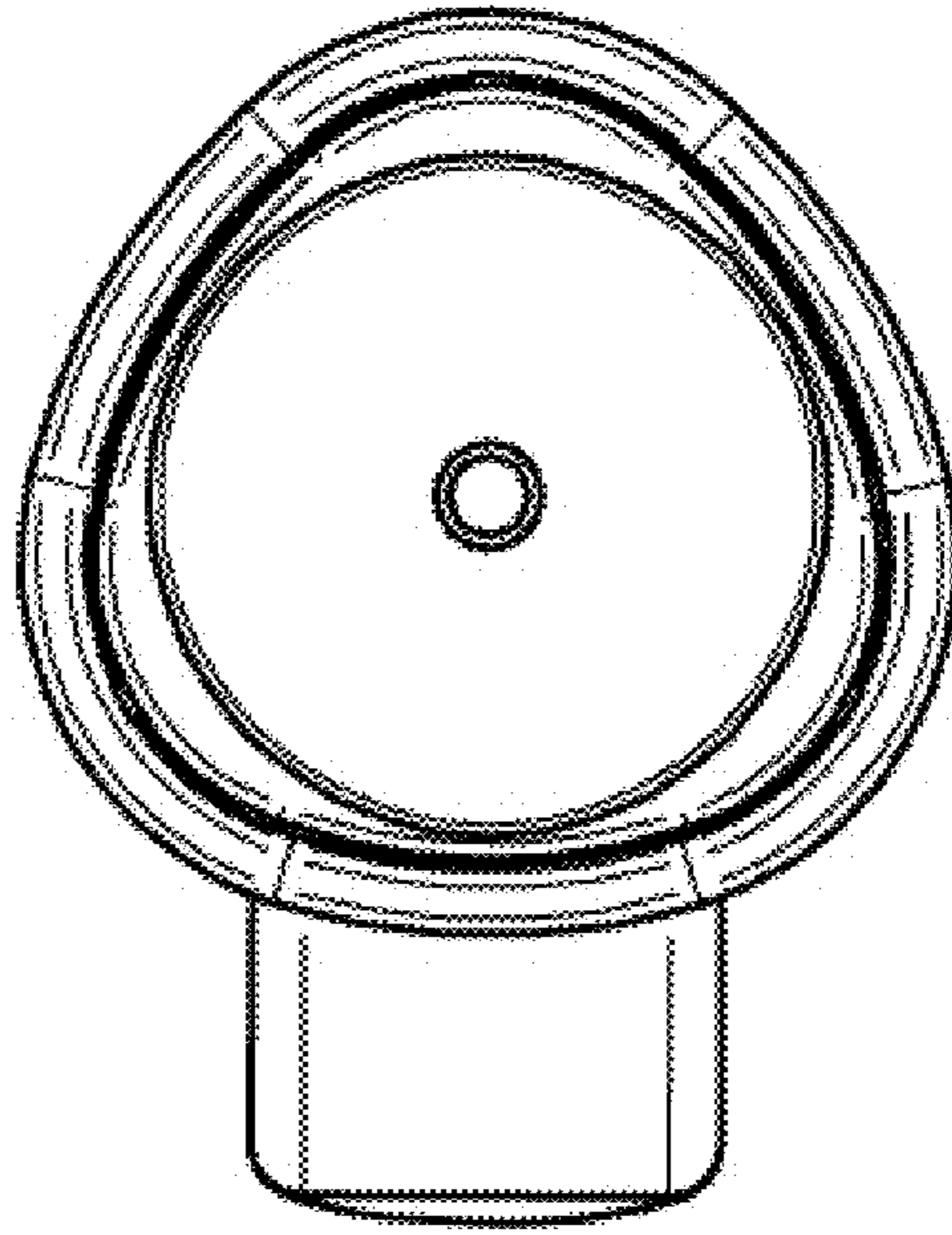


FIG. 6

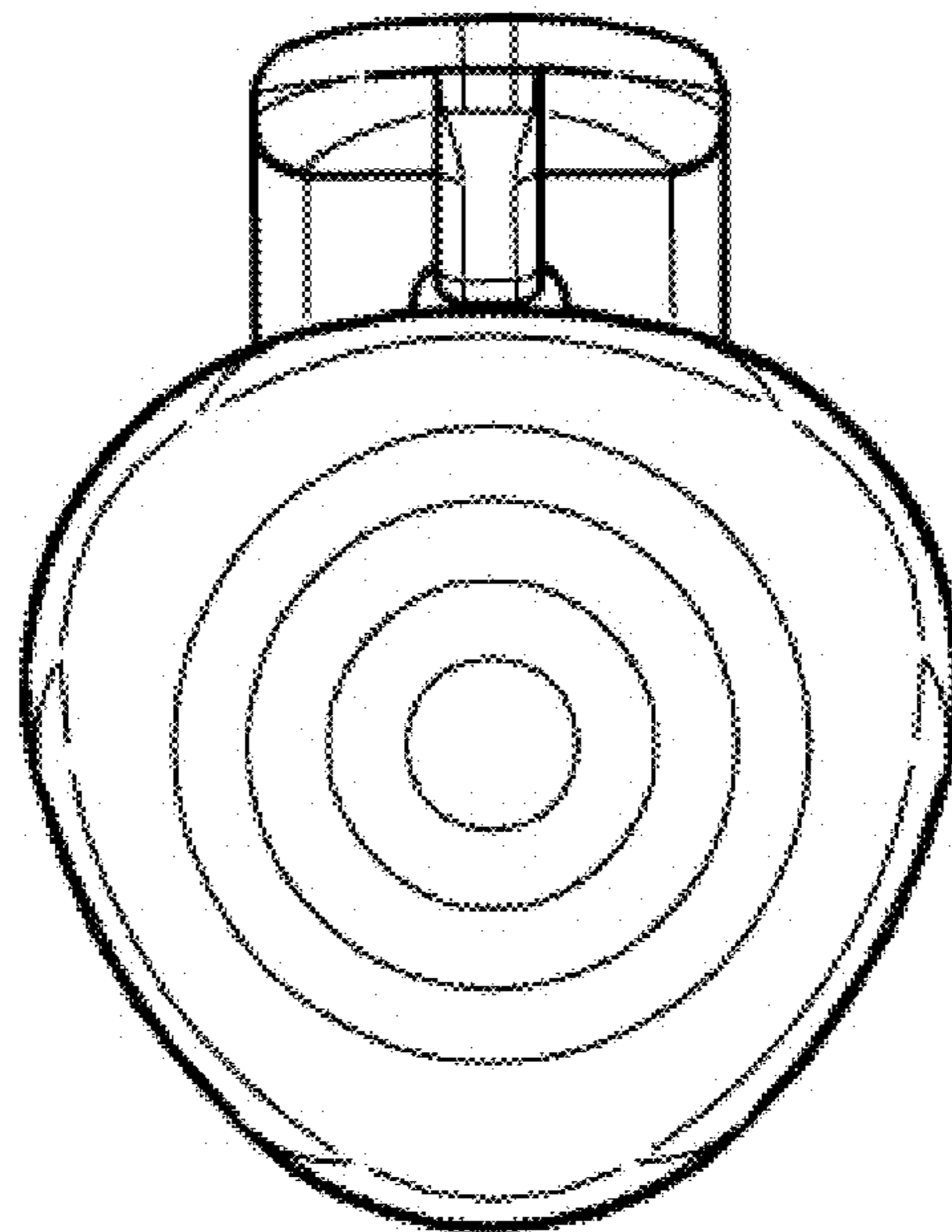


FIG. 7



UNITED STATES PATENT AND TRADEMARK OFFICE  
**CERTIFICATE OF CORRECTION**

PATENT NO. : D751,145 S  
APPLICATION NO. : 29/515668  
DATED : March 8, 2016  
INVENTOR(S) : Massimo Candela

Page 1 of 8

It is certified that error appears in the above-identified patent and that said Letters Patent is hereby corrected as shown below:

ON THE TITLE PAGE

Delete the title page and substitute therefore with the attached title page consisting of the corrected illustrative figure.

At (73) Assignee:, please delete "FABRICA" and insert therefor --FABBRICA--.

After (22) and before (30), please insert:

--Related U.S. Application Data

(62) Division of application No. 29/476,524, filed on Dec. 13, 2013, now Pat. No. Des. 728,025--.

IN THE DRAWINGS

Please replace FIGS. 1-7 with FIGS. 1-7 as shown on the attached pages.

Signed and Sealed this  
Twenty-seventh Day of December, 2016



Michelle K. Lee  
Director of the United States Patent and Trademark Office

(12) **United States Design Patent**  
**Candela**

(10) **Patent No.:** **US D751,145 S**  
(45) **Date of Patent:** **\*\* Mar. 8, 2016**

(54) **MARKER**

(71) Applicant: **ELL.A.—FABBRICA ITALIANA  
LAPIS ED AFFINI S.P.A., Milan (IT)**

(72) Inventor: **Massimo Candela, Pero (IT)**

(73) Assignee: **ELL.A.—FABBRICA ITALIANA  
LAPIS ED AFFINI S.P.A., Pero (IT)**

(\*\*) Term: **14 Years**

(21) Appl. No.: **29/515,668**

(22) Filed: **Jan. 26, 2015**

(30) **Foreign Application Priority Data**

Jun. 21, 2013 (EM) ..... 001375448-0001  
Jun. 21, 2013 (EM) ..... 001375448-0002  
Jun. 21, 2013 (EM) ..... 001375448-0003  
Jun. 21, 2013 (EM) ..... 001375448-0004  
Jun. 21, 2013 (EM) ..... 001375448-0005  
Jun. 21, 2013 (EM) ..... 001375448-0006

(51) **LOC (10) Cl.** ..... **19-06**

(52) **U.S. Cl.**  
USPC ..... **D19/185; D19/927; D19/934**

(58) **Field of Classification Search**

USPC ..... D14/411; D19/115–204, 904, 905, 906,  
D19/913, 914, 916, 917, 918, 927; 24/111,  
24/11 P, 11 R; 401/192, 195, 196

CPC ..... B43K 7/00; B43K 7/005; B43K 7/12;  
B43K 8/00; B43K 8/003; B43K 8/02; B43K  
8/022; B43K 8/024; B43K 21/027; B43K  
21/18

See application file for complete search history.

(56) **References Cited**

**U.S. PATENT DOCUMENTS**

1,578,565 A 3/1926 Wahl  
1,861,466 A 6/1932 Bafetti

2,452,504 A 10/1948 Jeff  
2,608,953 A 9/1952 Kollman  
2,803,219 A 8/1957 Stoerber  
2,871,824 A 2/1959 Sams  
2,883,969 A 4/1959 Sams  
2,972,335 A 2/1961 Grube et al.  
4,798,582 A 1/1989 Sarath et al.  
4,826,341 A 5/1989 Kwak  
D303,992 S 10/1989 Grotsch  
5,048,989 A 9/1991 Stageman  
D322,282 S 12/1991 Mishima  
5,165,814 A 11/1992 Bnda  
5,577,850 A 11/1996 Mishima  
D378,762 S 4/1997 Kikuchi et al.  
D386,526 S 11/1997 Ito  
5,961,367 A \* 10/1999 Merris et al. A91M 31/064  
401/84  
6,123,476 A 9/2000 Rosenthal  
7,172,359 B2 2/2007 Meck

(Continued)

**FOREIGN PATENT DOCUMENTS**

EP 1857014 A2 11/2007  
EP 2201859 A1 6/2010

(Continued)

*Primary Examiner* — Elizabeth Albert

(74) *Attorney, Agent, or Firm* — Pearne & Gordon LLP

(57) **CLAIM**

The ornamental design for a marker, as shown and described.

**DESCRIPTION**

FIG. 1 is a perspective view of a marker showing my new design;

FIG. 2 is a front elevational view thereof;

FIG. 3 is a back elevational view thereof;

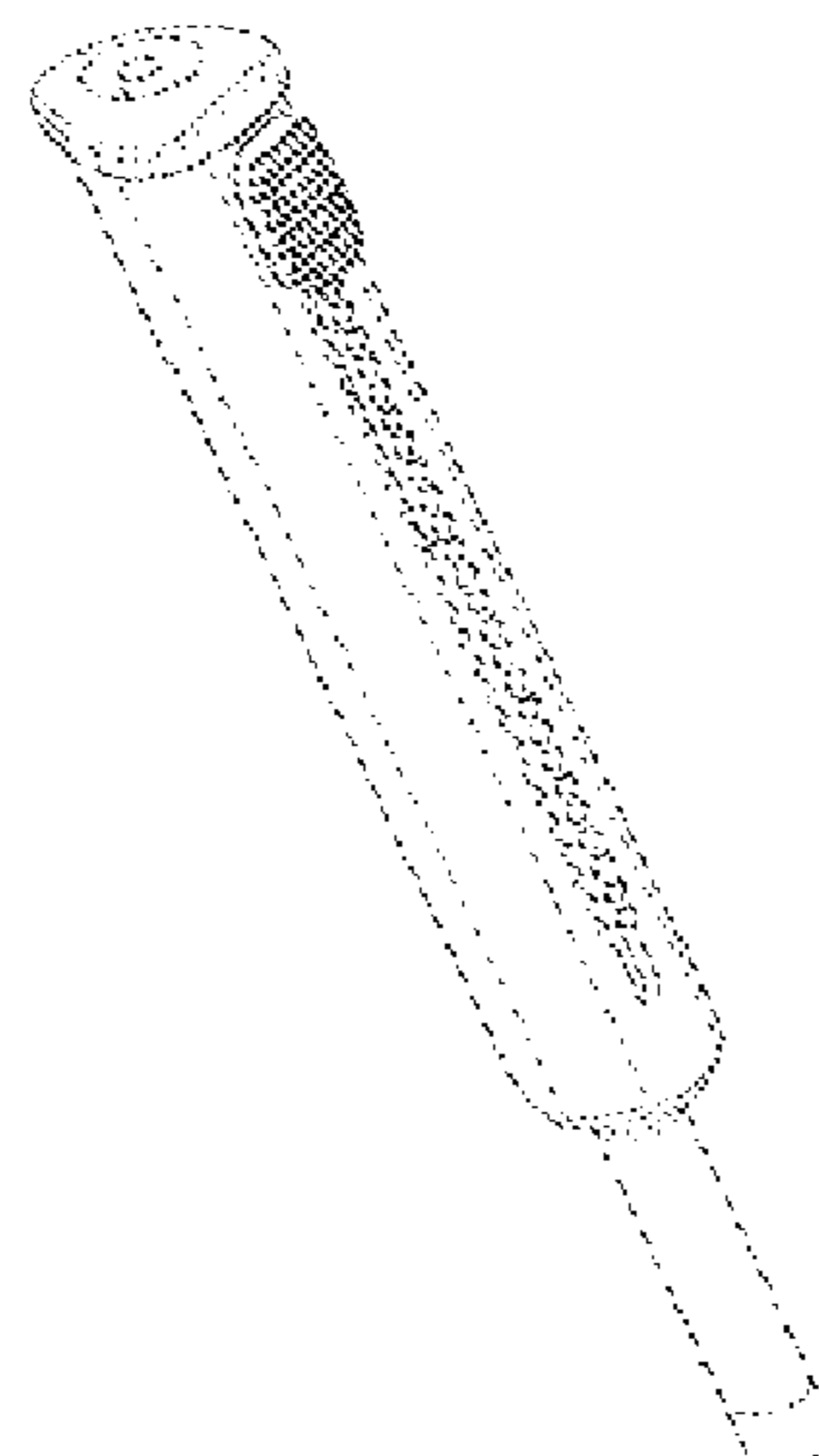
FIG. 4 is a left side elevational view thereof;

FIG. 5 is a right side elevational view thereof;

FIG. 6 is a bottom plan view thereof; and

FIG. 7 is a top plan view thereof.

**1 Claim, 6 Drawing Sheets**



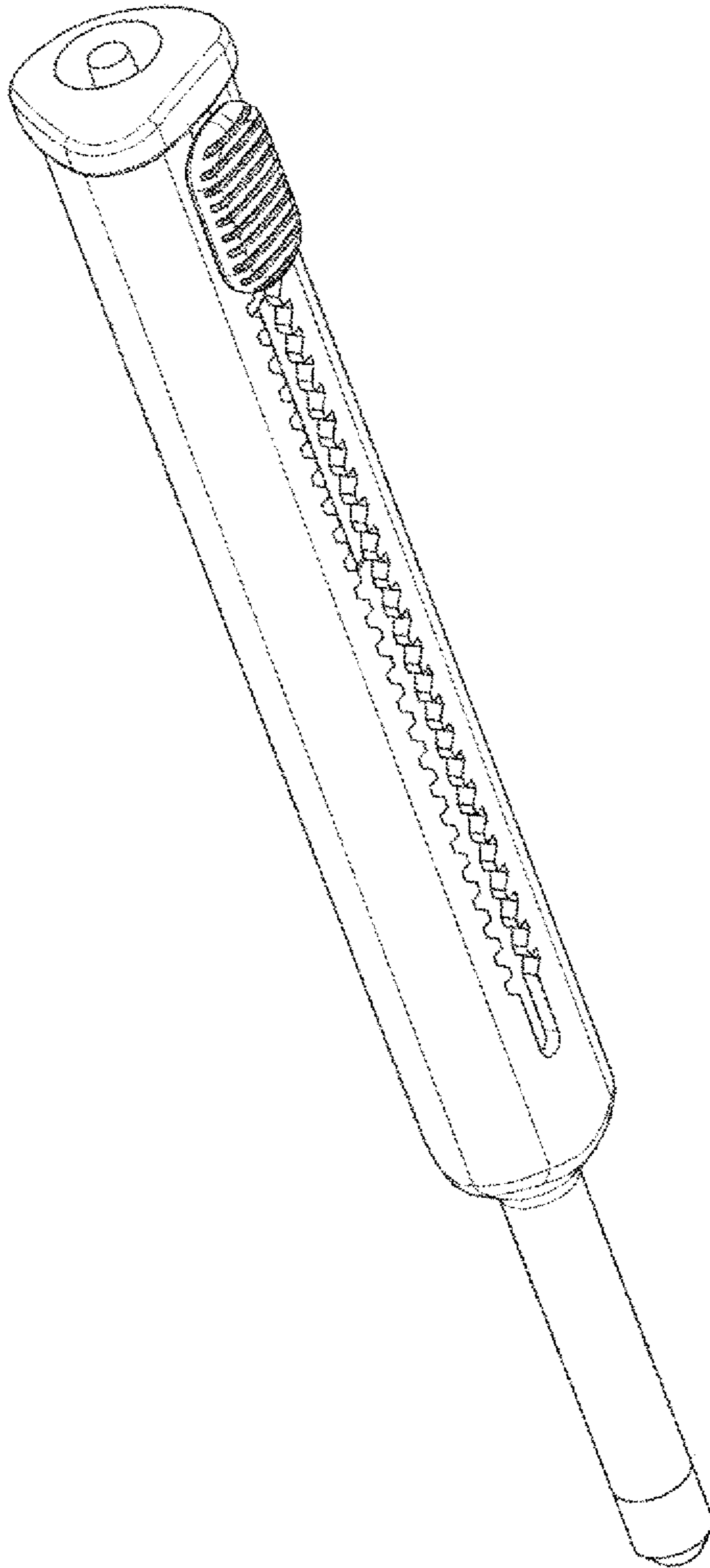


FIG. 1

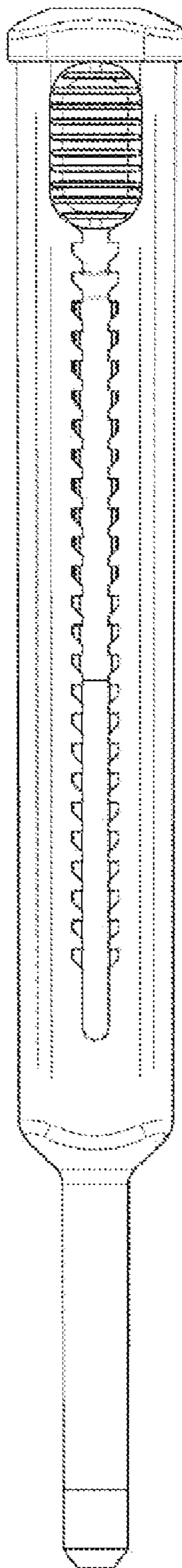


FIG. 2

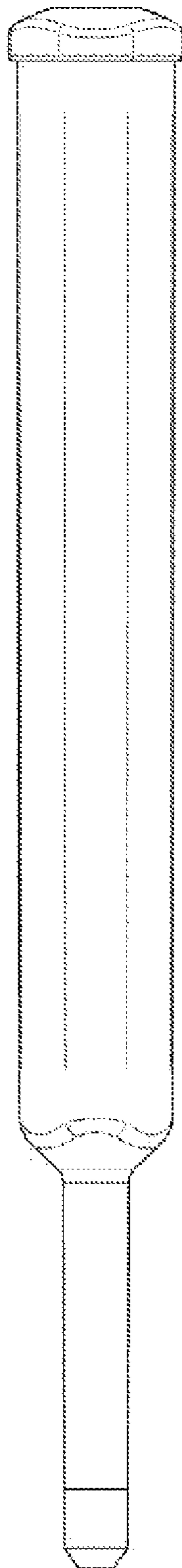


FIG. 3

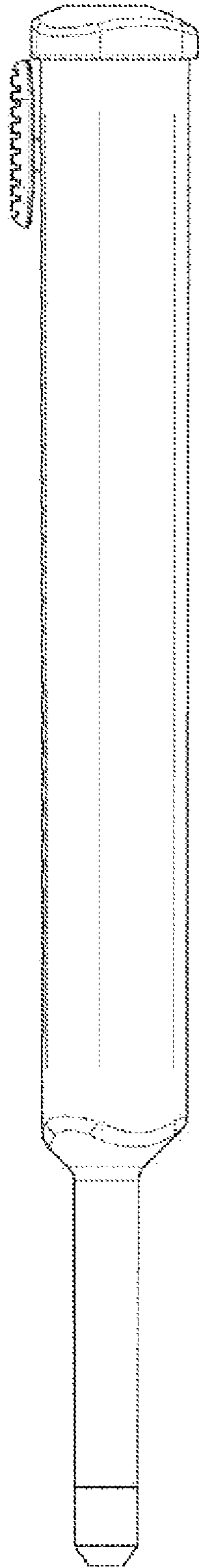


FIG. 4

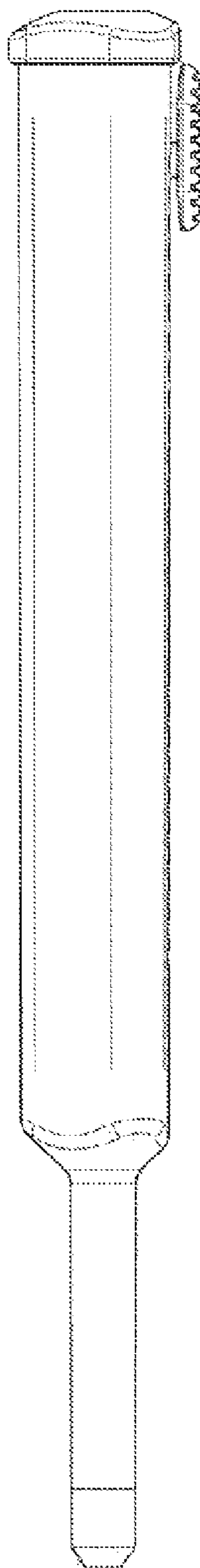


FIG. 5

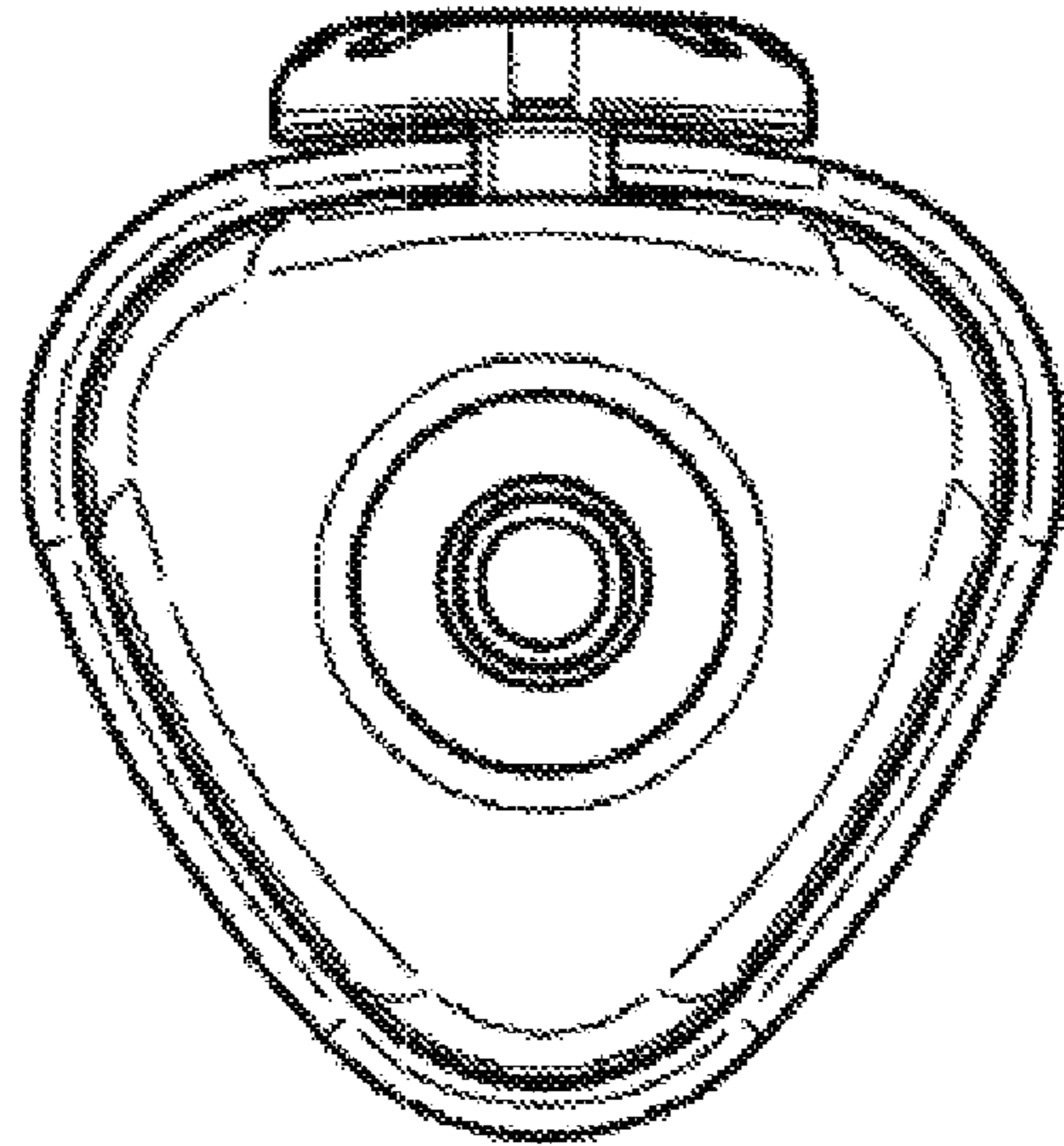


FIG. 6

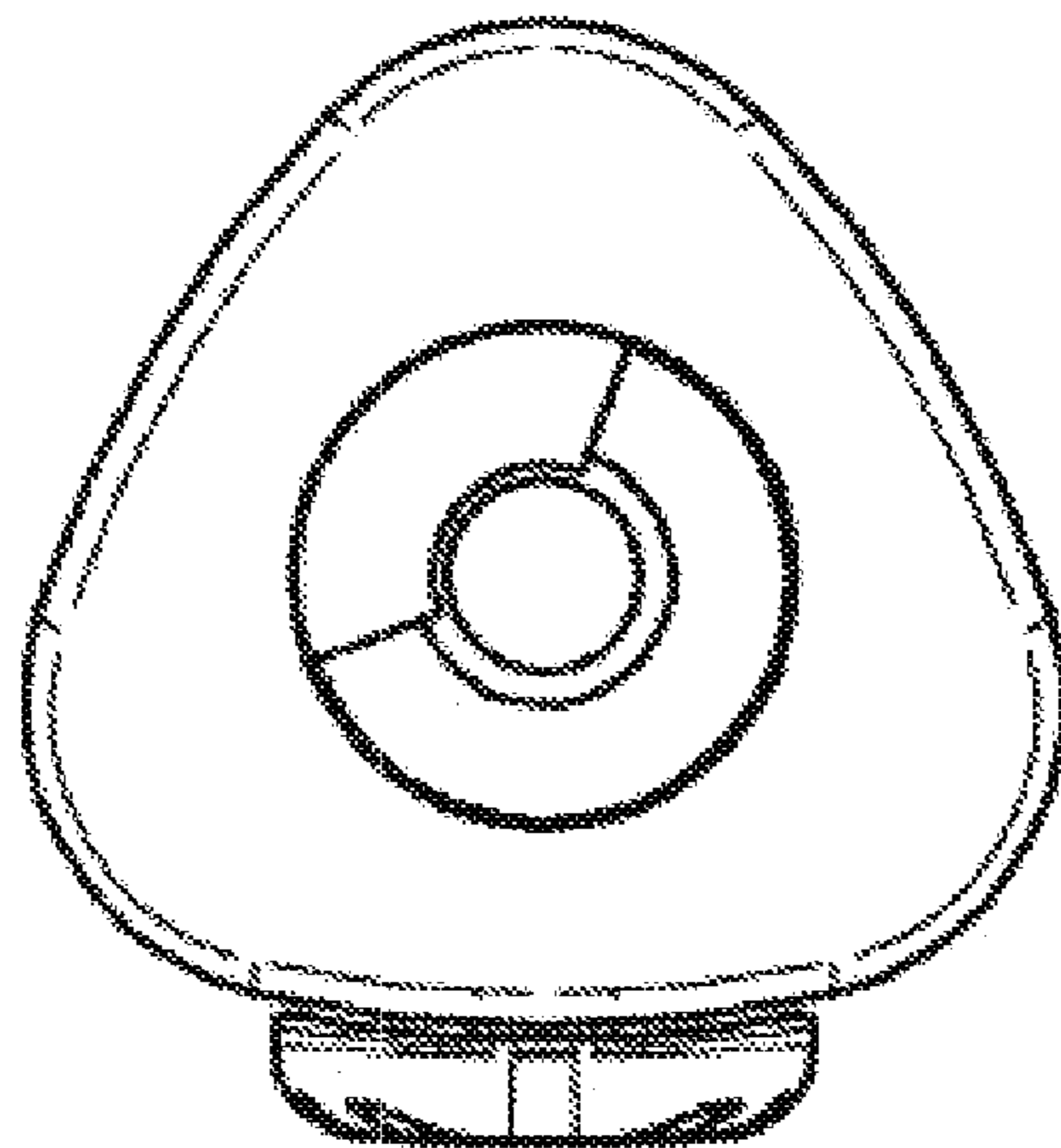


FIG. 7