



US00D751143S

(12) **United States Design Patent**  
**Kim**

(10) **Patent No.:** **US D751,143 S**  
(45) **Date of Patent:** **\*\* Mar. 8, 2016**

(54) **PRINTER**

(71) Applicant: **Samsung Electronics Co., Ltd.**,  
Suwon-si (KR)

(72) Inventor: **Kyong-Hwan Kim**, Seoul (KR)

(73) Assignee: **Samsung Electronics Co., Ltd.**,  
Suwon-si (KR)

(\*\*) Term: **14 Years**

(21) Appl. No.: **29/484,504**

(22) Filed: **Mar. 10, 2014**

(30) **Foreign Application Priority Data**

Sep. 13, 2013 (KR) ..... 30-2013-0047558

(51) **LOC (10) Cl.** ..... **14-02**

(52) **U.S. Cl.**  
USPC ..... **D18/50**

(58) **Field of Classification Search**

USPC ..... D18/36-39, 14, 19, 50, 53, 54, 54.1,  
D18/55; D14/420-425, 462-470; 400/613,  
400/613.1-613.4, 690.1-690.4, 691-694  
See application file for complete search history.

(56) **References Cited**

**U.S. PATENT DOCUMENTS**

D181,794 S \* 12/1957 Hohmann ..... D18/54  
D263,831 S \* 4/1982 Barbera et al. .... D14/462  
4,634,304 A \* 1/1987 Narushima et al. .... 400/691  
5,387,043 A \* 2/1995 Fujioka et al. .... 400/691  
D378,927 S \* 4/1997 Kasahara et al. .... D18/50  
D386,489 S \* 11/1997 Goldman et al. .... D14/420  
D387,337 S \* 12/1997 Sween et al. .... D14/420  
D409,584 S \* 5/1999 Fetherolf ..... D14/422

D454,879 S \* 3/2002 Lin et al. .... D14/420  
D509,508 S \* 9/2005 Ko et al. .... D14/420  
D512,065 S \* 11/2005 Ko et al. .... D14/420  
D517,110 S \* 3/2006 Tanaka ..... D18/50  
D573,596 S \* 7/2008 Laidlaw et al. .... D14/422  
D578,535 S \* 10/2008 Schmitz ..... D14/421  
D583,819 S \* 12/2008 Romanoff et al. .... D14/422  
D596,598 S \* 7/2009 Huang et al. .... D14/130  
D607,925 S \* 1/2010 Morrison et al. .... D18/50  
D631,050 S \* 1/2011 Iliffe-Moon et al. .... D14/422  
D671,542 S \* 11/2012 Siekmann et al. .... D14/422  
D708,618 S \* 7/2014 Romanoff et al. .... D14/422  
D721,704 S \* 1/2015 Carreon et al. .... D14/425

\* cited by examiner

*Primary Examiner* — Cathy Anne MacCormac

(74) *Attorney, Agent, or Firm* — NSIP Law

(57) **CLAIM**

I claim the ornamental design for a printer, as shown and described.

**DESCRIPTION**

FIG. 1 is a front perspective view of a printer showing my new design;

FIG. 2 is a front view thereof;

FIG. 3 is a rear view thereof;

FIG. 4 is a left-side view thereof;

FIG. 5 is a right-side view thereof;

FIG. 6 is a top view thereof;

FIG. 7 is a bottom view thereof;

FIG. 8 is a rear perspective view thereof; and,

FIG. 9 is another rear perspective view, in which the printer is provided in an alternate position.

The broken lines in the figures show portions of the printer that depict environmental subject matter which form no part of the claimed design.

**1 Claim, 9 Drawing Sheets**

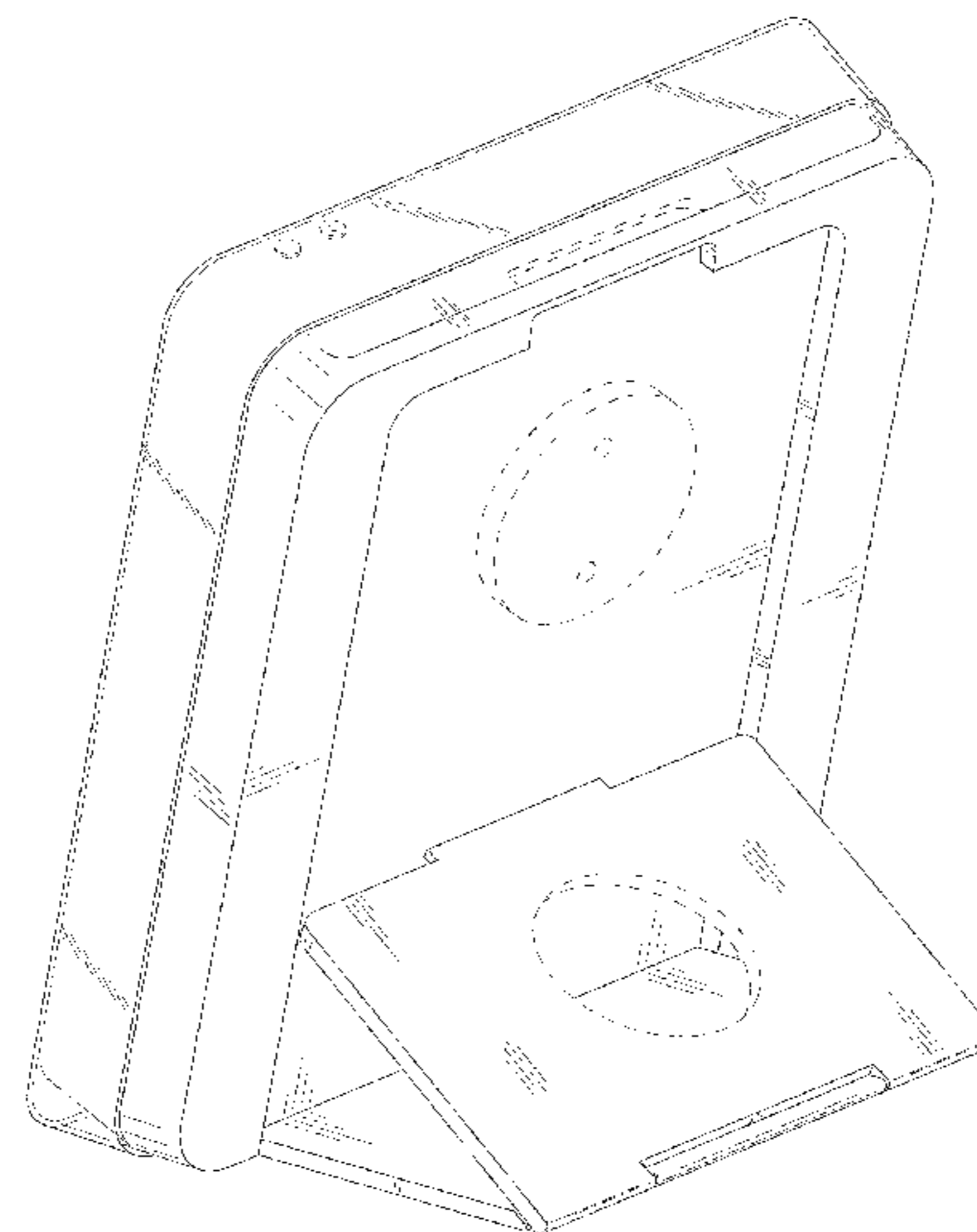
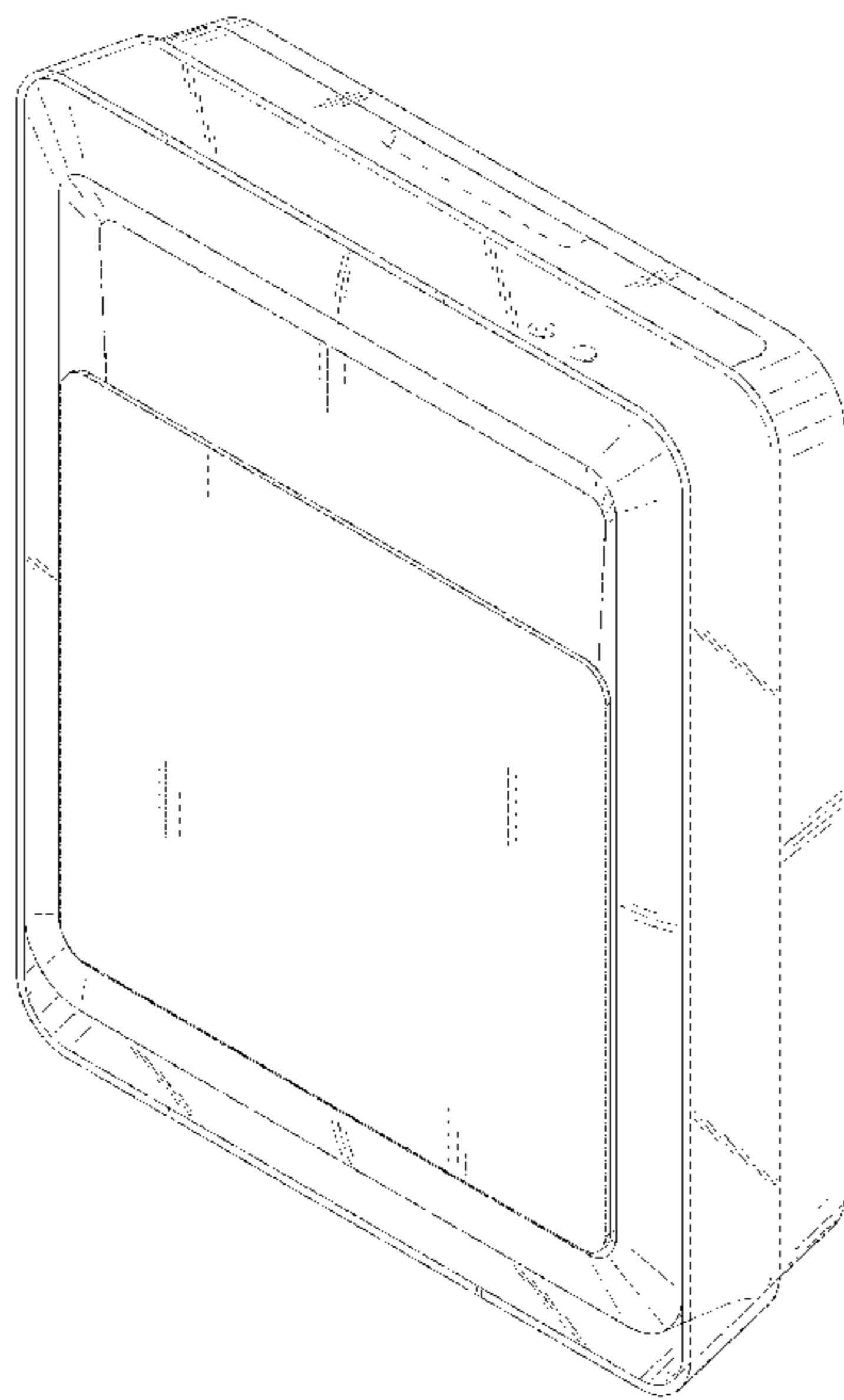


FIG. 1

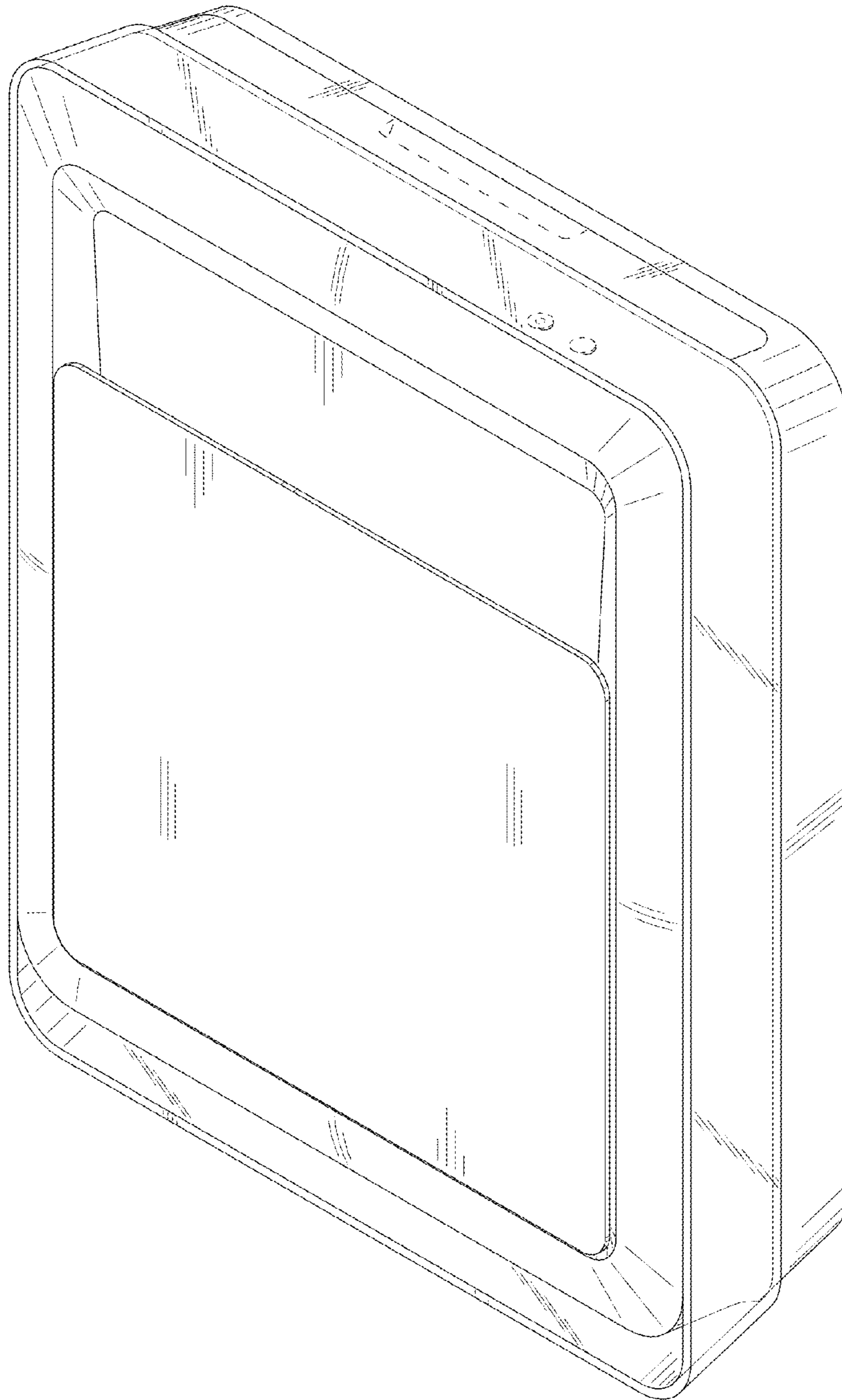


FIG. 2

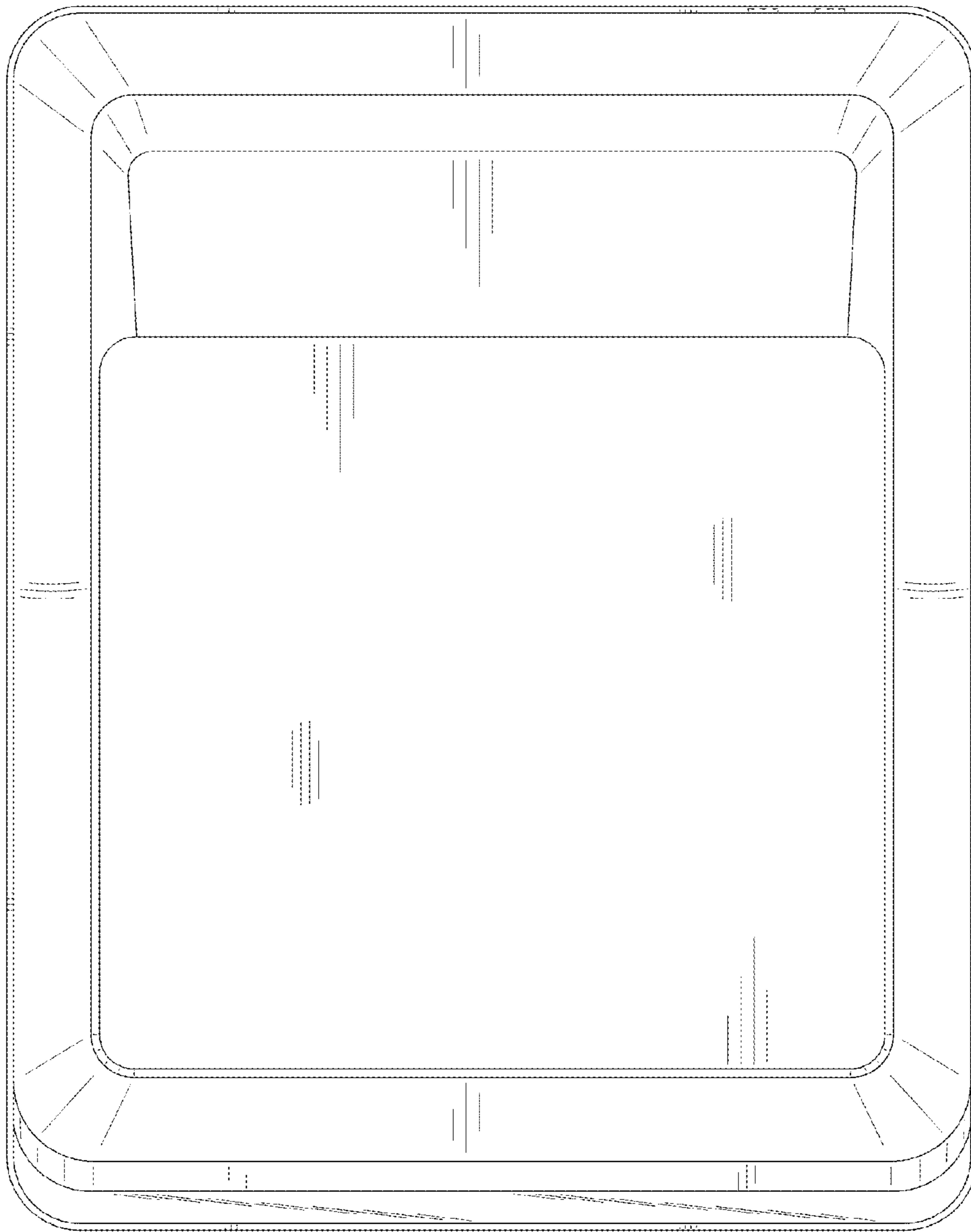


FIG. 3

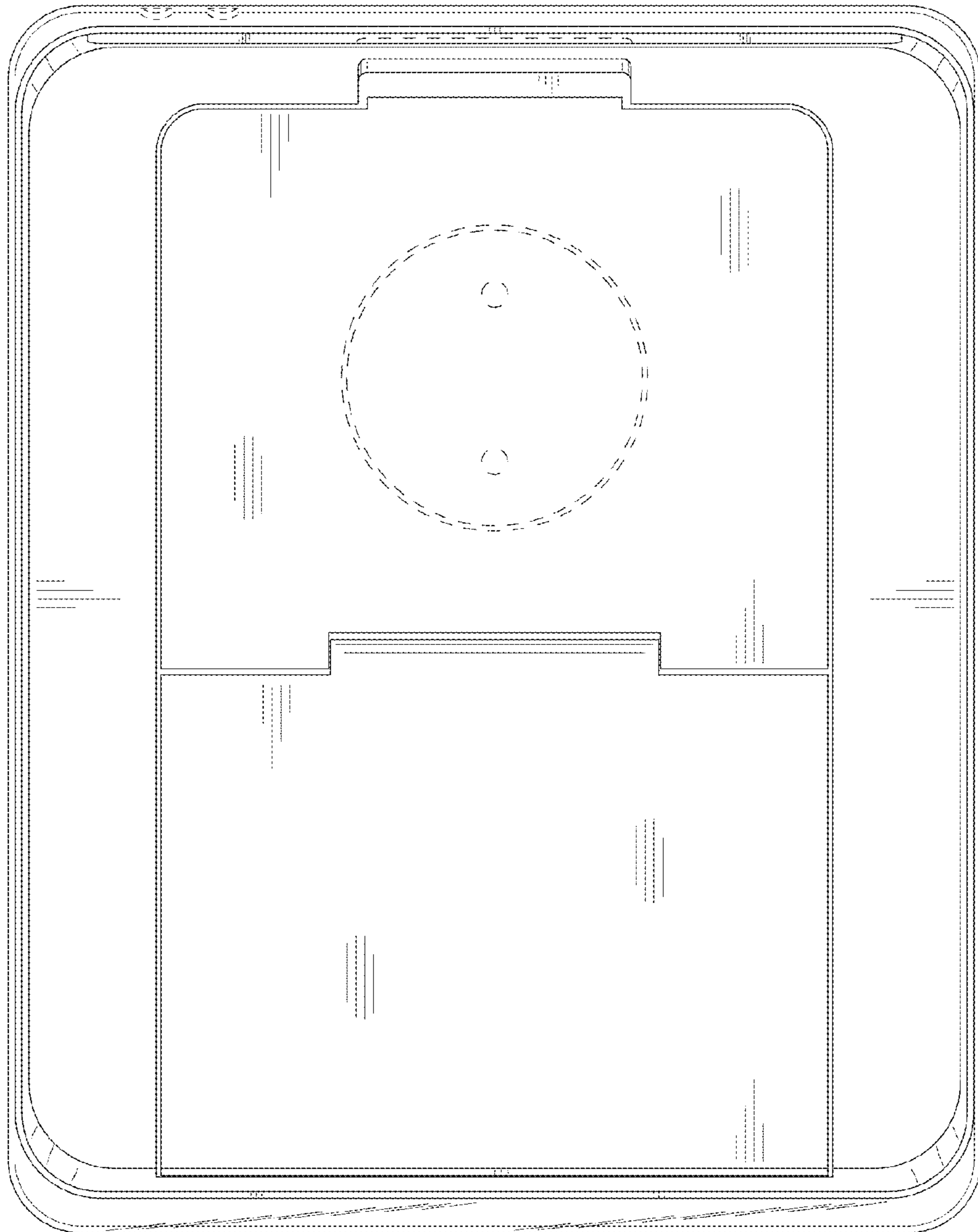


FIG. 4

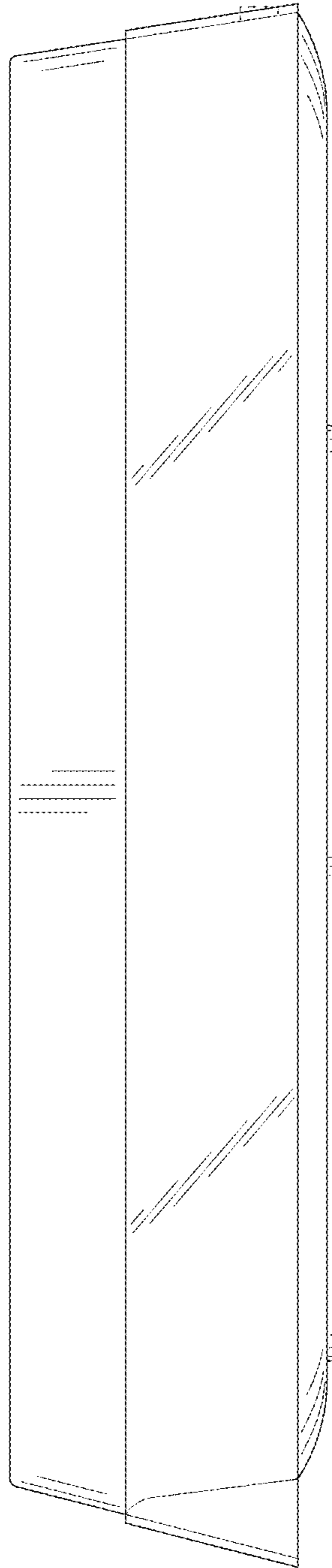


FIG. 5

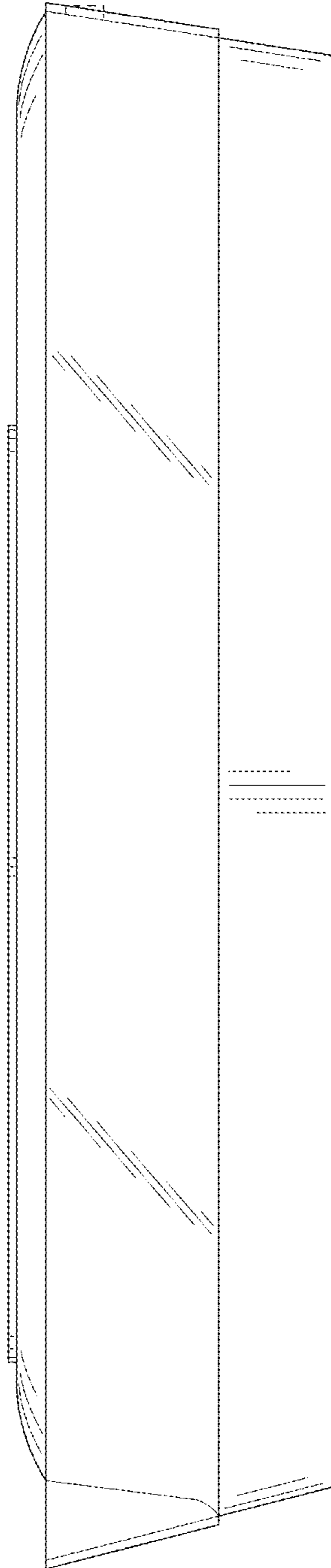


FIG. 6

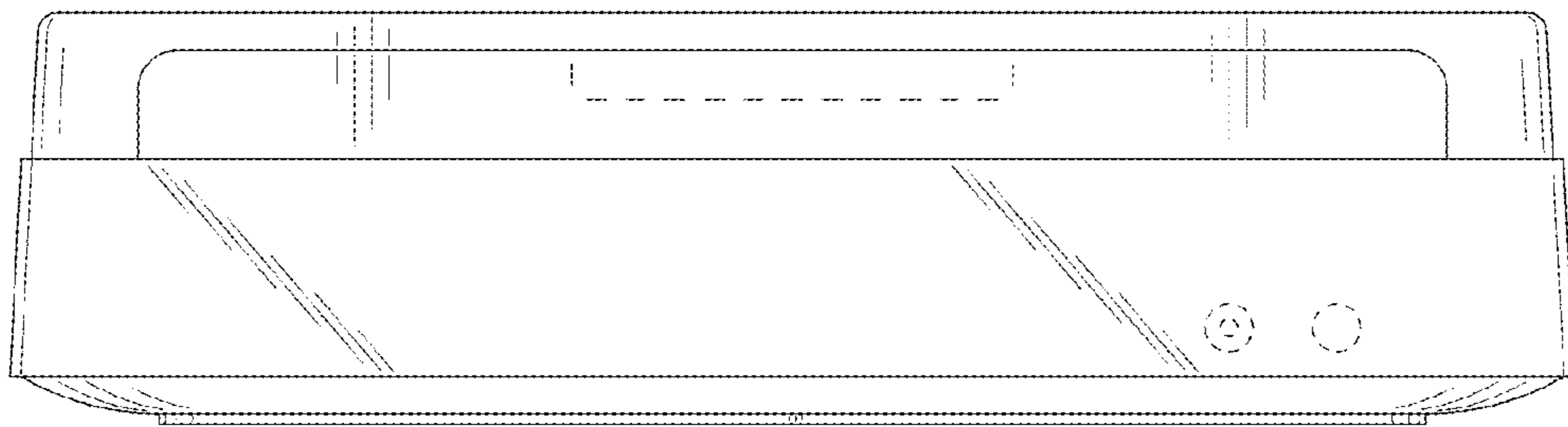


FIG. 7

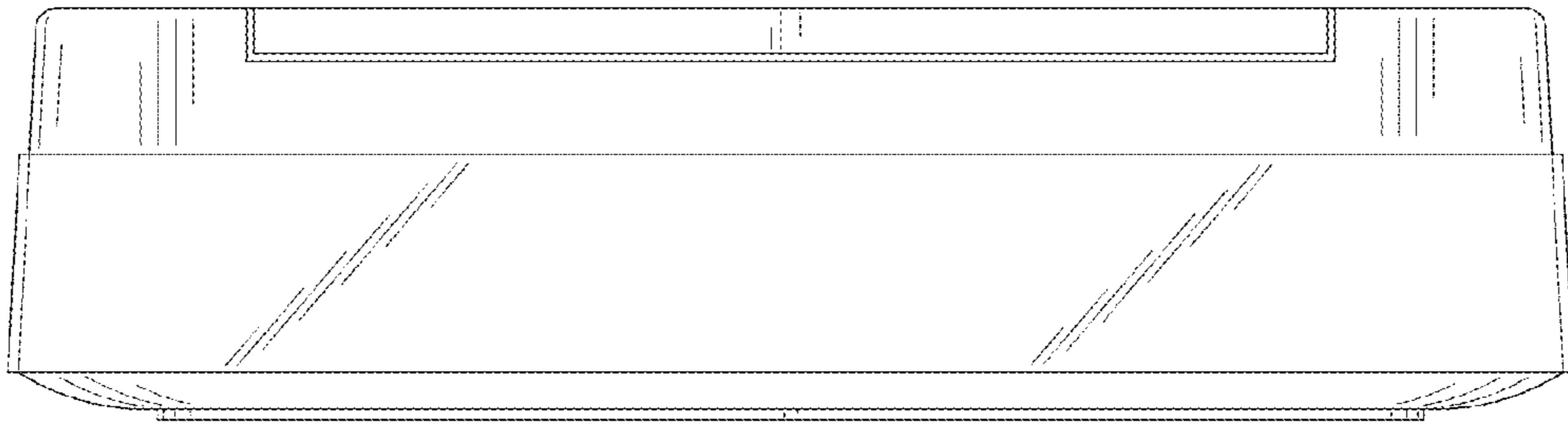




FIG. 8

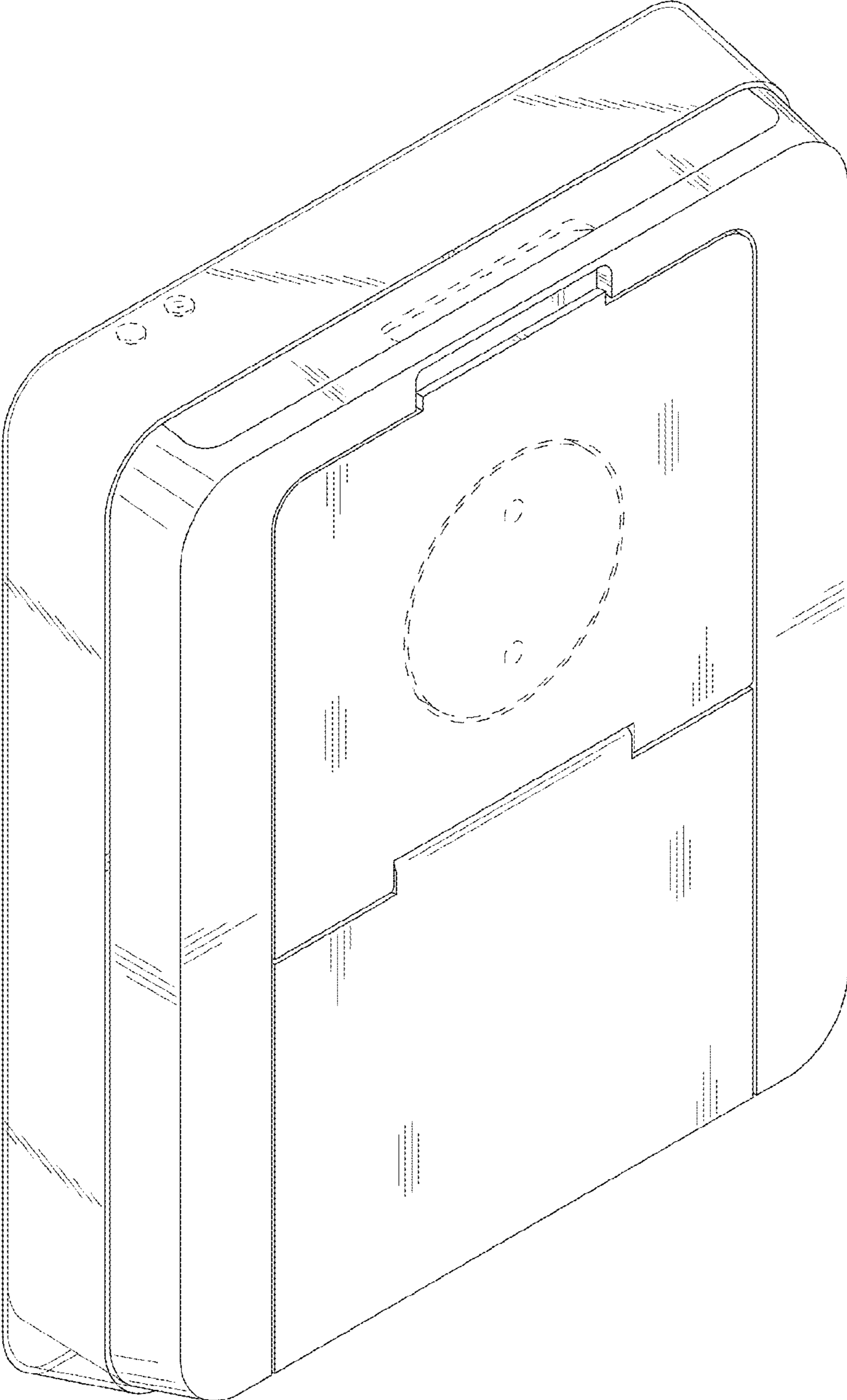


FIG. 9

