



US00D751142S

(12) **United States Design Patent**  
**So**

(10) **Patent No.:** **US D751,142 S**  
(45) **Date of Patent:** **\*\* Mar. 8, 2016**

(54) **PRINTER**

(71) Applicant: **Samsung Electronics Co., Ltd.**,  
Suwon-si, Gyeonggi-do (KR)

(72) Inventor: **Kwang-Hyuck So**, Seoul (KR)

(73) Assignee: **SAMSUNG ELECTRONICS CO., LTD.** (KR)

(\*\*) Term: **14 Years**

(21) Appl. No.: **29/483,161**

(22) Filed: **Feb. 26, 2014**

(30) **Foreign Application Priority Data**

Sep. 2, 2013 (KR) ..... 30-2013-0044993

(51) **LOC (10) Cl.** ..... **14-02**

(52) **U.S. Cl.**  
USPC ..... **D18/50**

(58) **Field of Classification Search**  
USPC ..... D18/14, 19, 50, 54, 55; D14/420-426,  
D14/462-470, 170-171, 188-189,  
D14/193-198; 400/613, 613.1-613.4,  
400/690.1-690.4, 691-694; D16/235  
See application file for complete search history.

(56) **References Cited**

**U.S. PATENT DOCUMENTS**

D413,351 S \* 8/1999 Escobedo et al. .... D18/50  
D466,551 S \* 12/2002 Nagai ..... D18/50

D494,215 S \* 8/2004 Evers ..... D18/55  
D541,332 S \* 4/2007 Tsuchiya ..... D18/50  
D553,184 S \* 10/2007 Lee et al. .... D18/50  
D557,319 S \* 12/2007 Schoenert et al. .... D16/235  
D579,489 S \* 10/2008 Kanno et al. .... D18/50  
D584,346 S \* 1/2009 Sumi ..... D18/50  
D585,486 S \* 1/2009 Kanno et al. .... D18/50  
D607,925 S \* 1/2010 Morrison et al. .... D18/50  
D634,729 S \* 3/2011 Endo et al. .... D14/188  
D643,462 S \* 8/2011 Yamashita et al. .... D18/50  
D669,079 S \* 10/2012 Hansen ..... D14/420  
D722,109 S \* 2/2015 Nanno et al. .... D18/50

\* cited by examiner

*Primary Examiner* — Cathy Anne MacCormac

(74) *Attorney, Agent, or Firm* — Cantor Colburn LLP

(57) **CLAIM**

The ornamental design for a printer, as shown and described.

**DESCRIPTION**

FIG. 1 is a front perspective view of a printer showing my new design, in which the cover of the printer is open.

FIG. 2 is another front perspective view thereof, in which the cover is closed;

FIG. 3 is a front view of FIG. 2;

FIG. 4 is a rear view of FIG. 2;

FIG. 5 is a side view of FIG. 2;

FIG. 6 is another side view of FIG. 2;

FIG. 7 is a top view of FIG. 2; and,

FIG. 8 is a bottom view of FIG. 2.

The broken lines illustrating portions of the printer depict environmental subject matter, are for illustration only and form no part of the claimed design.

**1 Claim, 6 Drawing Sheets**

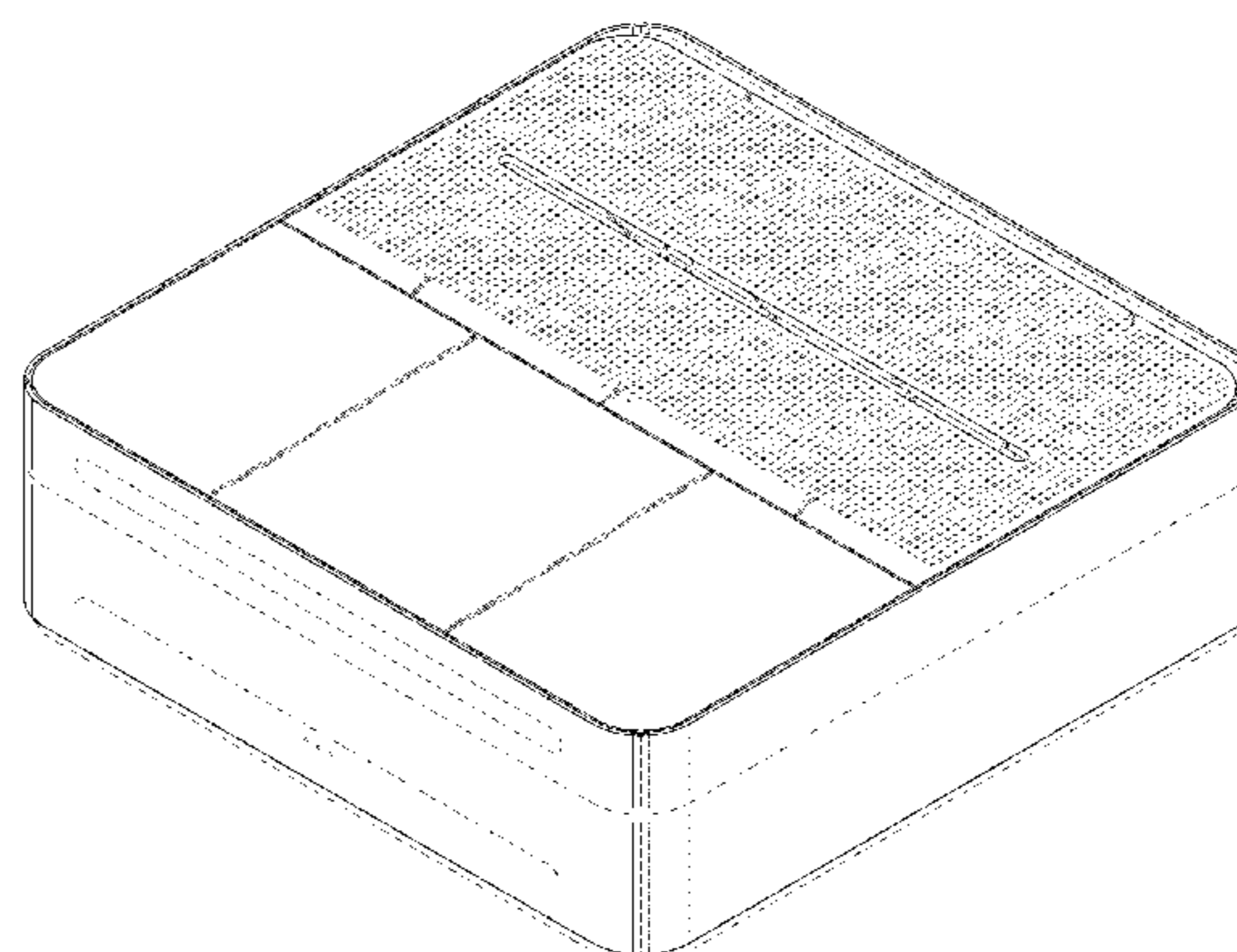
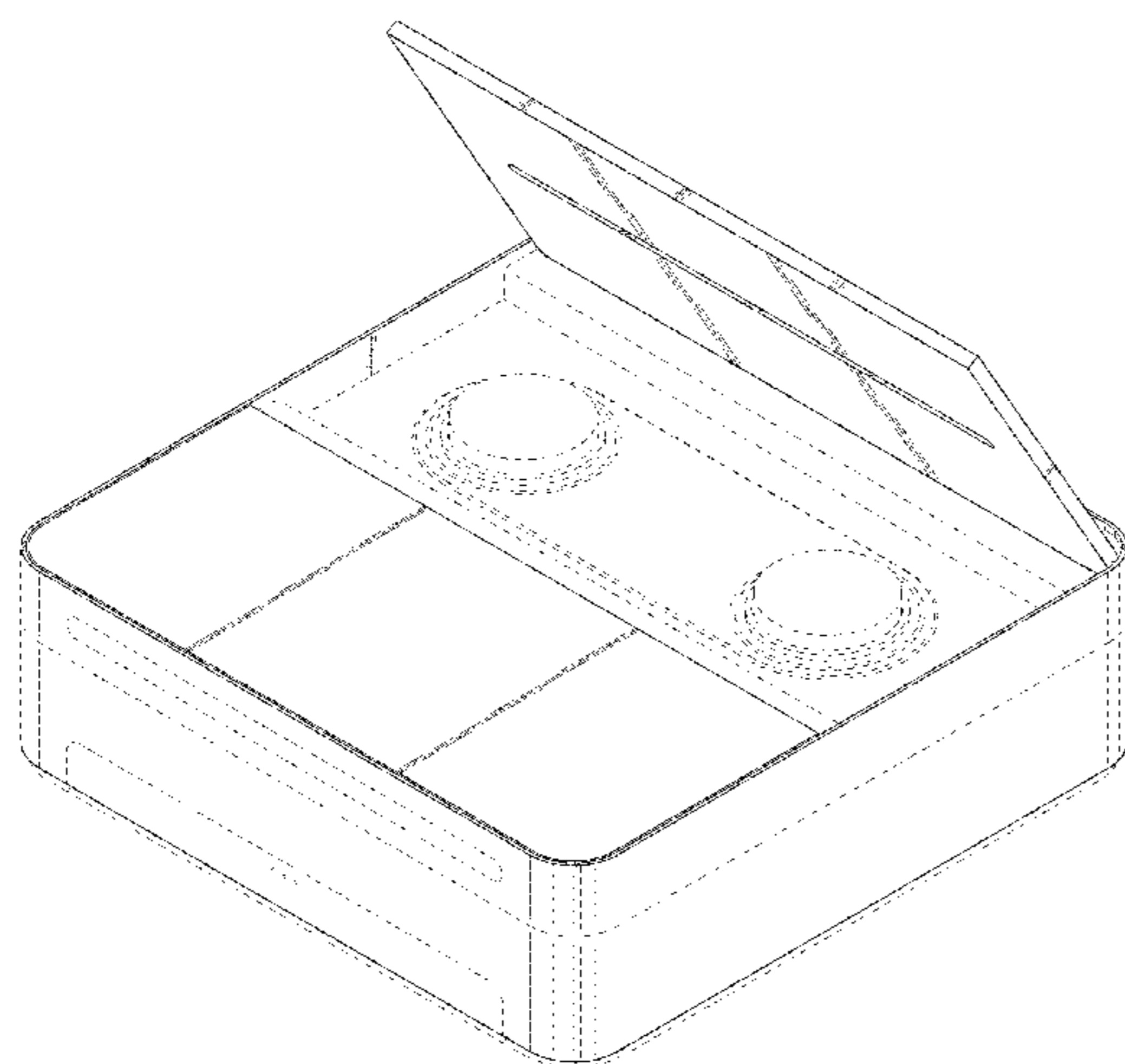


FIG. 1

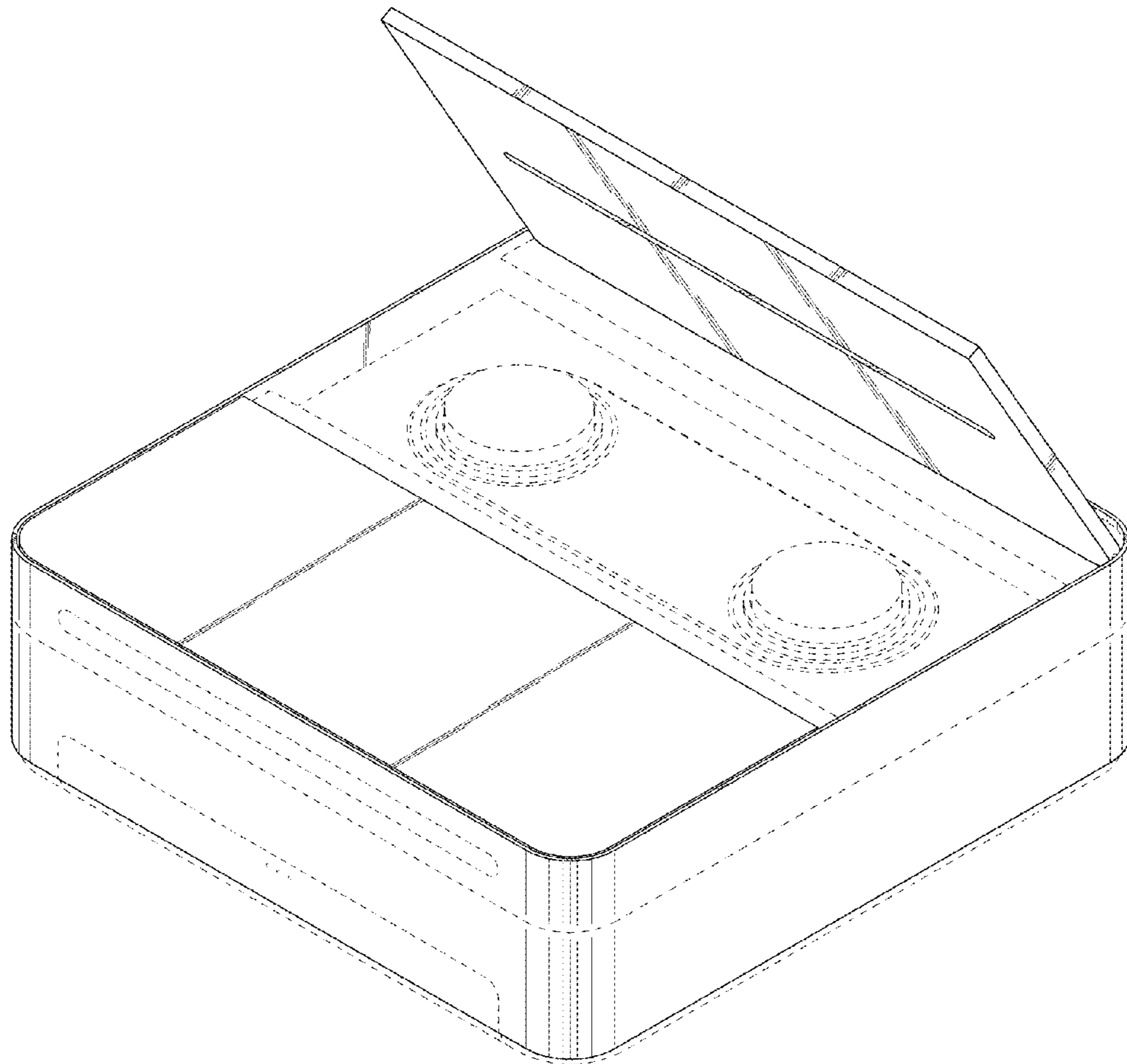


FIG.2

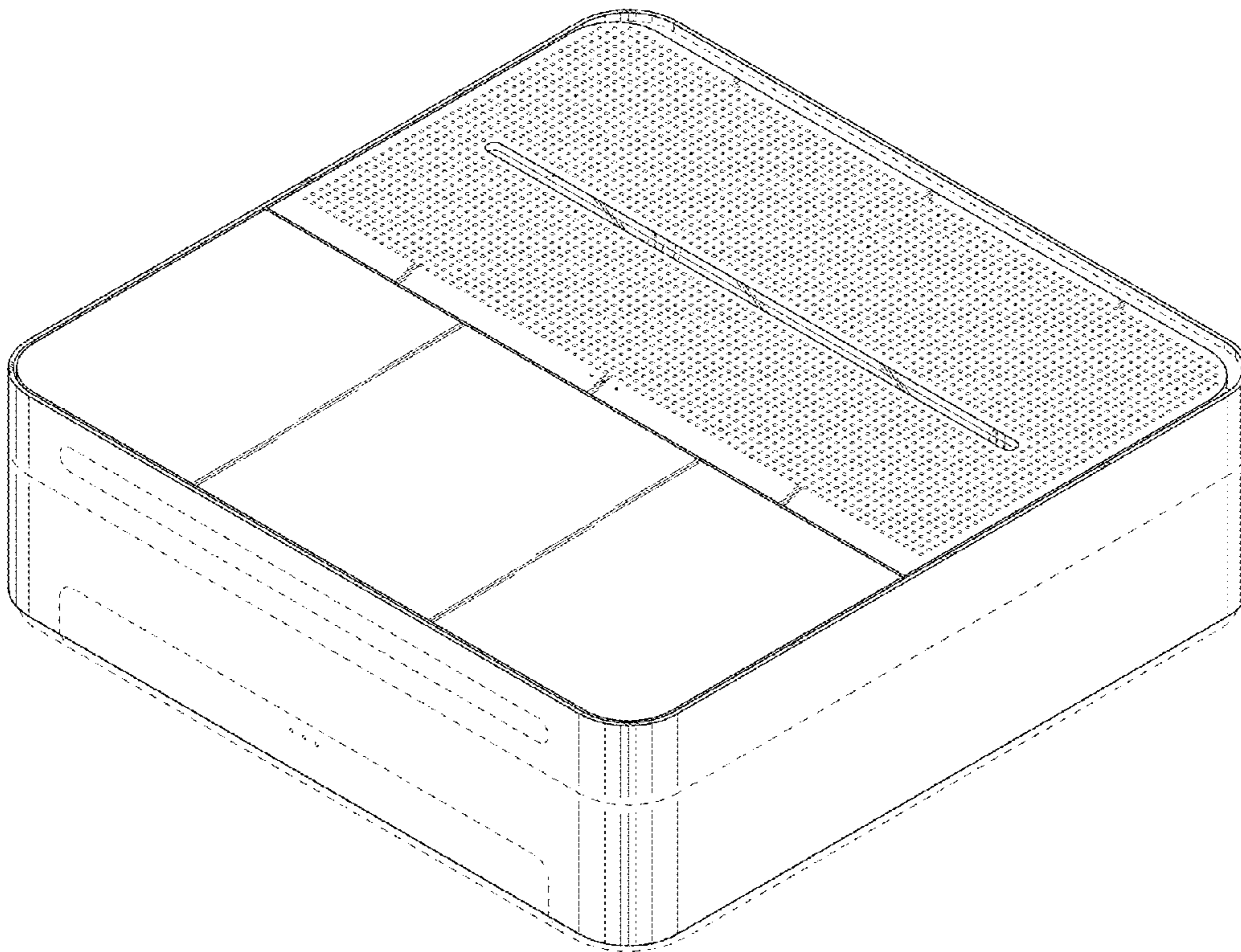


FIG.3

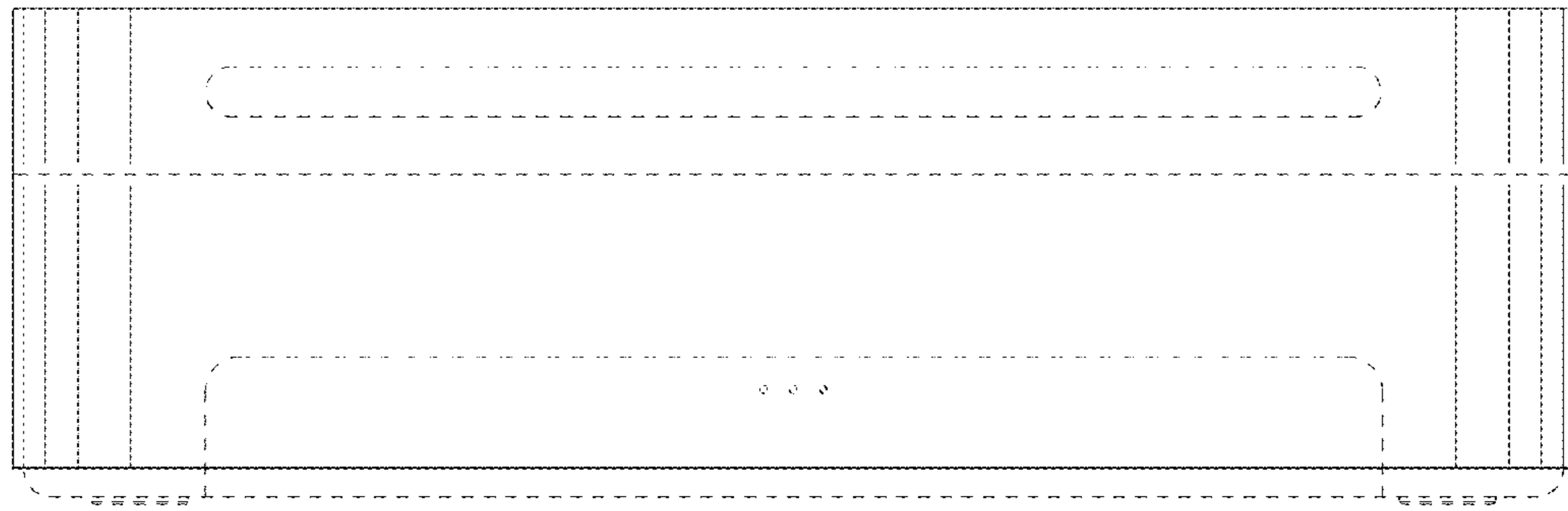


FIG.4

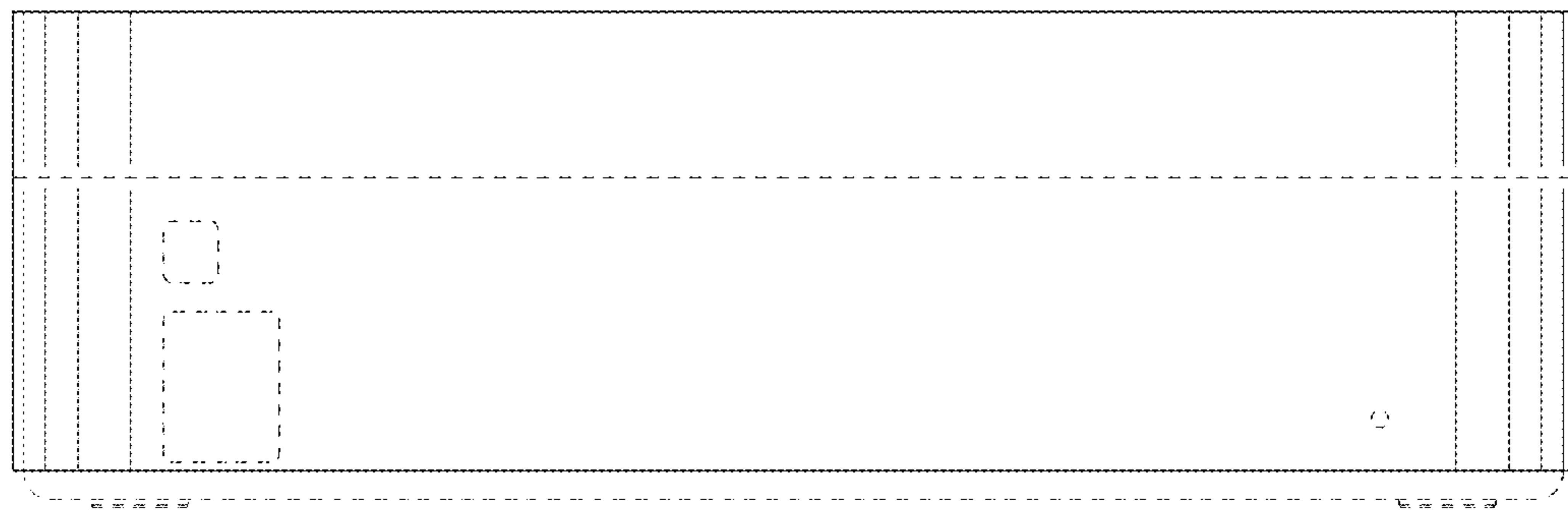


FIG.5

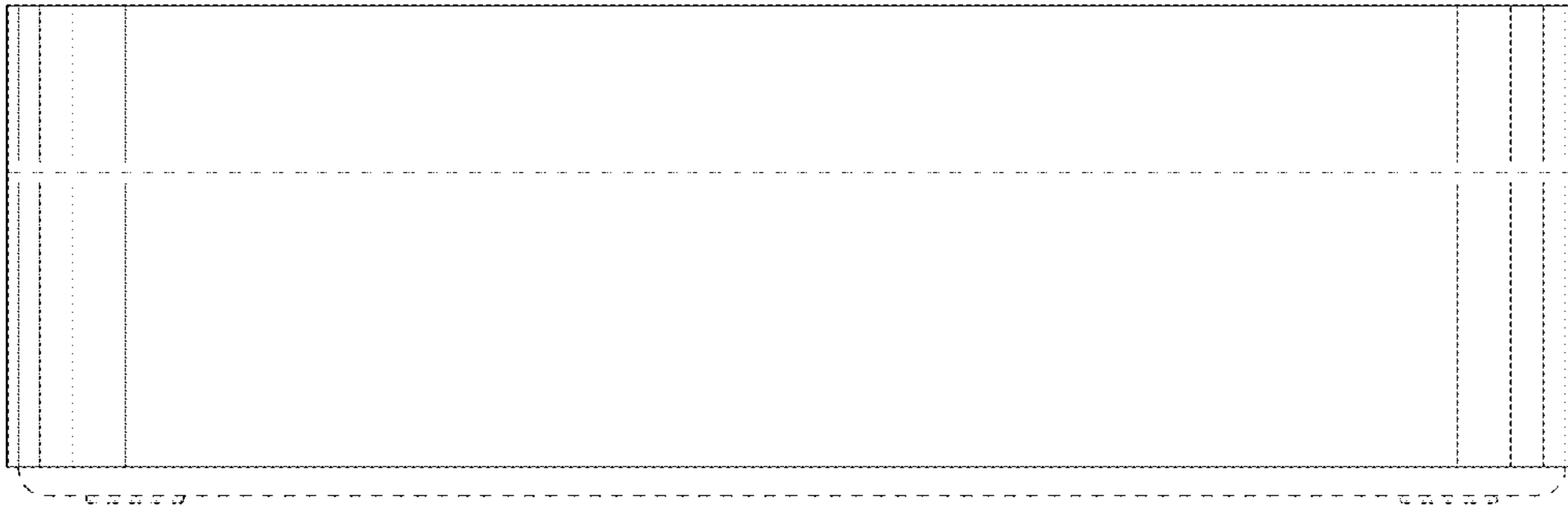


FIG.6

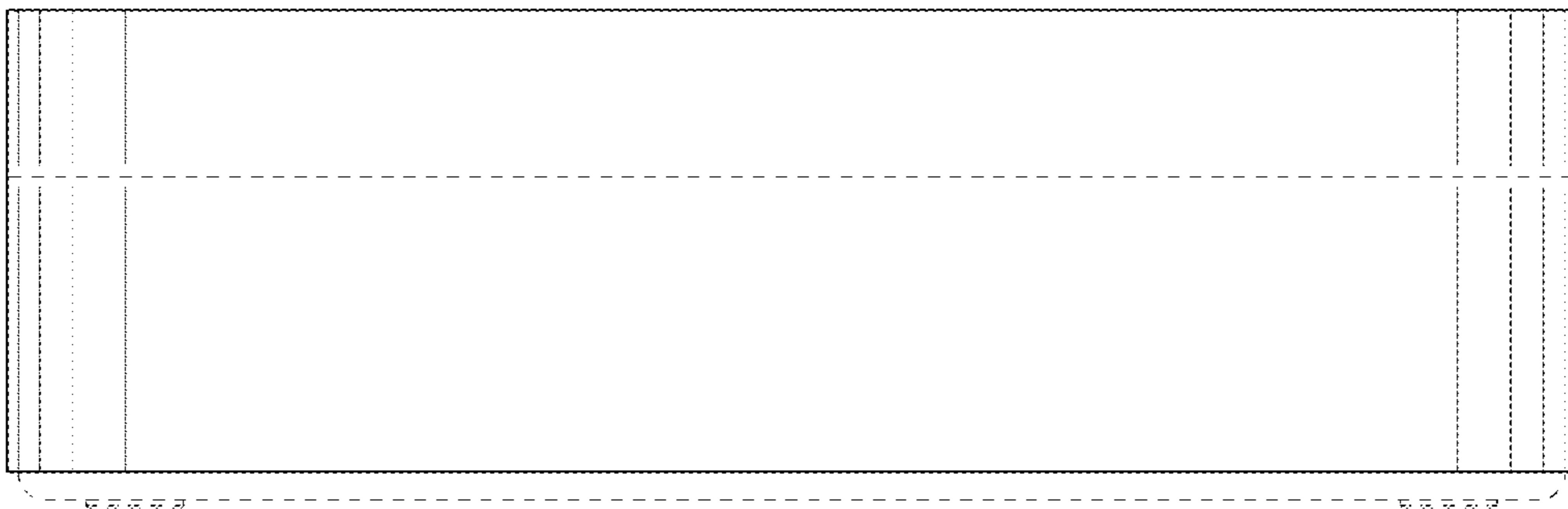


FIG. 7

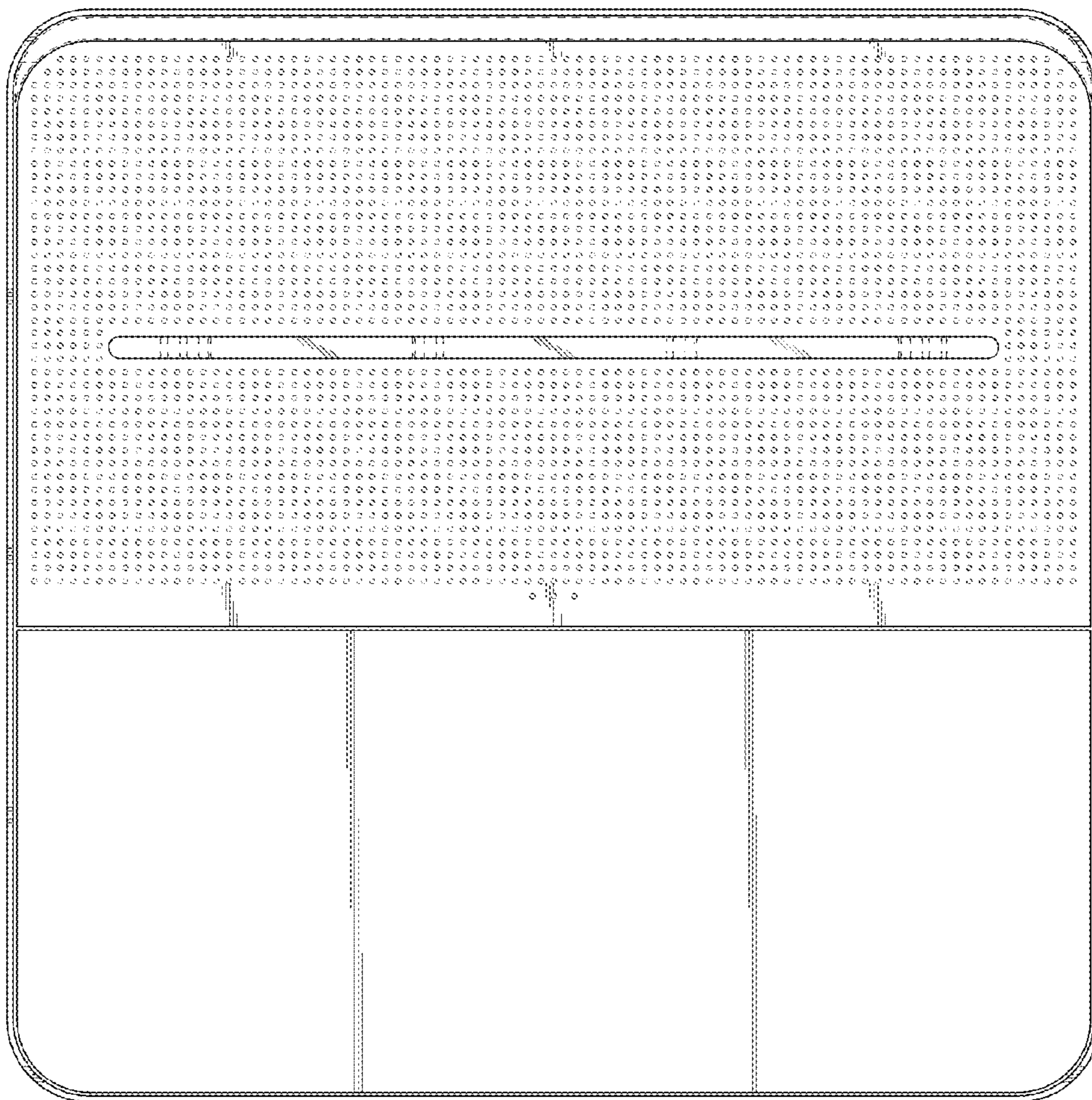


FIG.8

