



US00D751141S

(12) **United States Design Patent**
Minamide et al.

(10) **Patent No.:** **US D751,141 S**
(45) **Date of Patent:** **** Mar. 8, 2016**

(54) **PRINTER**

(71) Applicant: **Samsung Electronics Co., Ltd.**,
Suwon-si, Gyeonggi-do (KR)

(72) Inventors: **Keiichi Minamide**, Tokyo (JP); **Takeo Aoki**, Tokyo (JP)

(73) Assignee: **SAMSUNG ELECTRONICS CO., LTD.** (KR)

(**) Term: **14 Years**

(21) Appl. No.: **29/483,055**

(22) Filed: **Feb. 25, 2014**

(30) **Foreign Application Priority Data**

Sep. 6, 2013 (KR) 30-2013-0046054

(51) **LOC (10) Cl.** **14-02**

(52) **U.S. Cl.**
USPC **D18/50**

(58) **Field of Classification Search**
USPC D18/14, 19, 50, 54, 54.1, 55;
D14/420-426, 462-470, 170-171,
D14/188-189, 193-198; 400/613,
400/613.1-613.4, 690.1-690.4, 691-694
See application file for complete search history.

(56) **References Cited**

U.S. PATENT DOCUMENTS

D505,447 S * 5/2005 Wong et al. D18/50

D516,121 S * 2/2006 Suzuki et al. D18/55
D518,089 S * 3/2006 Massey et al. D18/50
D518,090 S * 3/2006 Massey et al. D18/50
D522,567 S * 6/2006 Hwang D18/50
D558,820 S * 1/2008 Hong et al. D18/50
D566,756 S * 4/2008 Massey et al. D18/50
D590,013 S * 4/2009 Miticocchio et al. D18/50
D594,504 S * 6/2009 Hattori D18/19
D648,743 S * 11/2011 Chang D14/496
D658,227 S * 4/2012 Schoenert et al. D18/50

* cited by examiner

Primary Examiner — Cathy Anne MacCormac

(74) *Attorney, Agent, or Firm* — Cantor Colburn LLP

(57) **CLAIM**

The ornamental design for a printer, as shown and described.

DESCRIPTION

FIG. 1 is a front perspective view of a printer showing our new design;
FIG. 2 is a front view thereof;
FIG. 3 is a rear view thereof;
FIG. 4 is a left side view thereof;
FIG. 5 is a right side view thereof;
FIG. 6 is a top view thereof; and,
FIG. 7 is a bottom view thereof.
The broken lines illustrating portions of the printer depict environmental subject matter, are for illustration only and form no part of the claimed design.

1 Claim, 4 Drawing Sheets

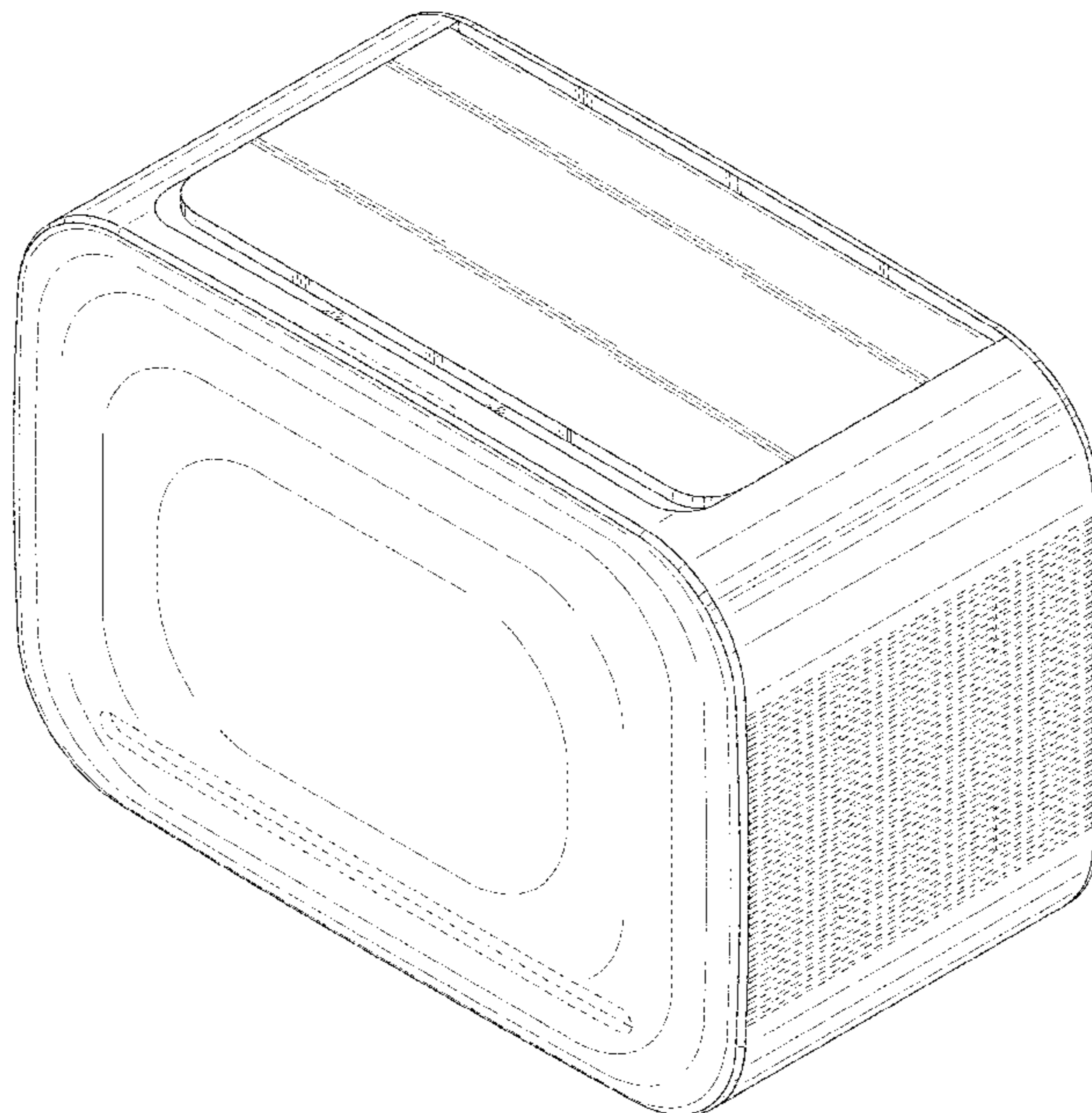


FIG.1

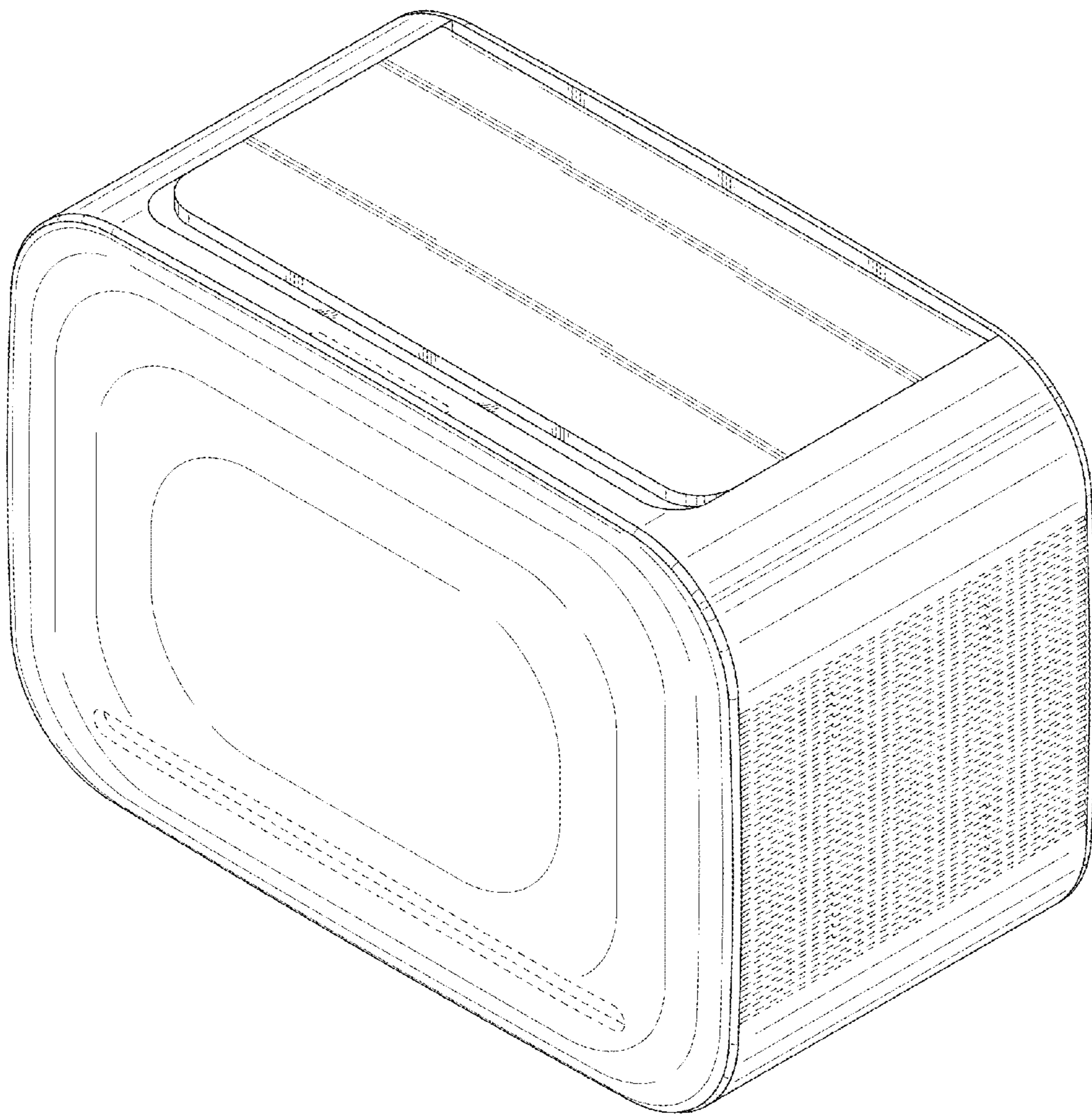


FIG.2

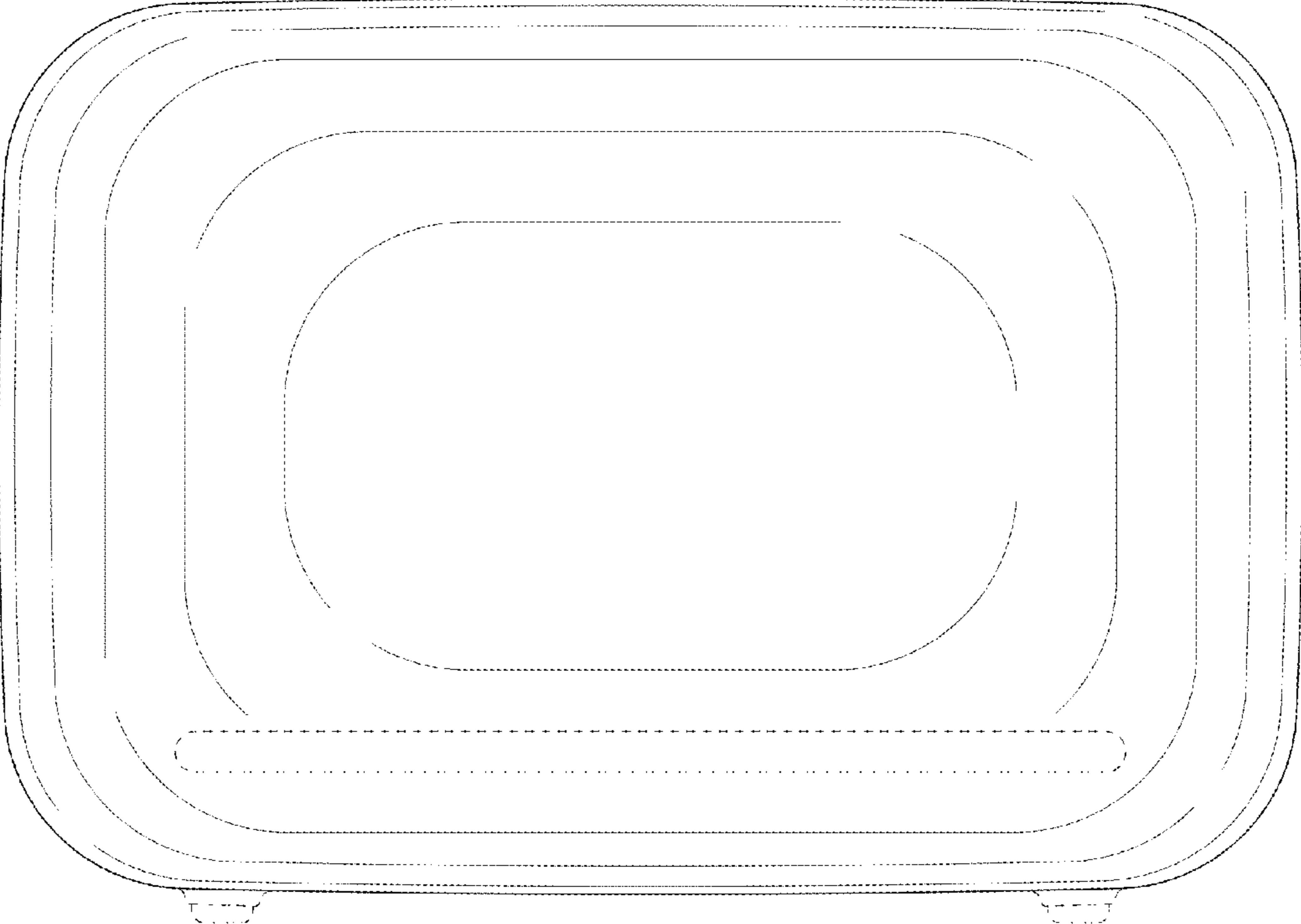


FIG.3

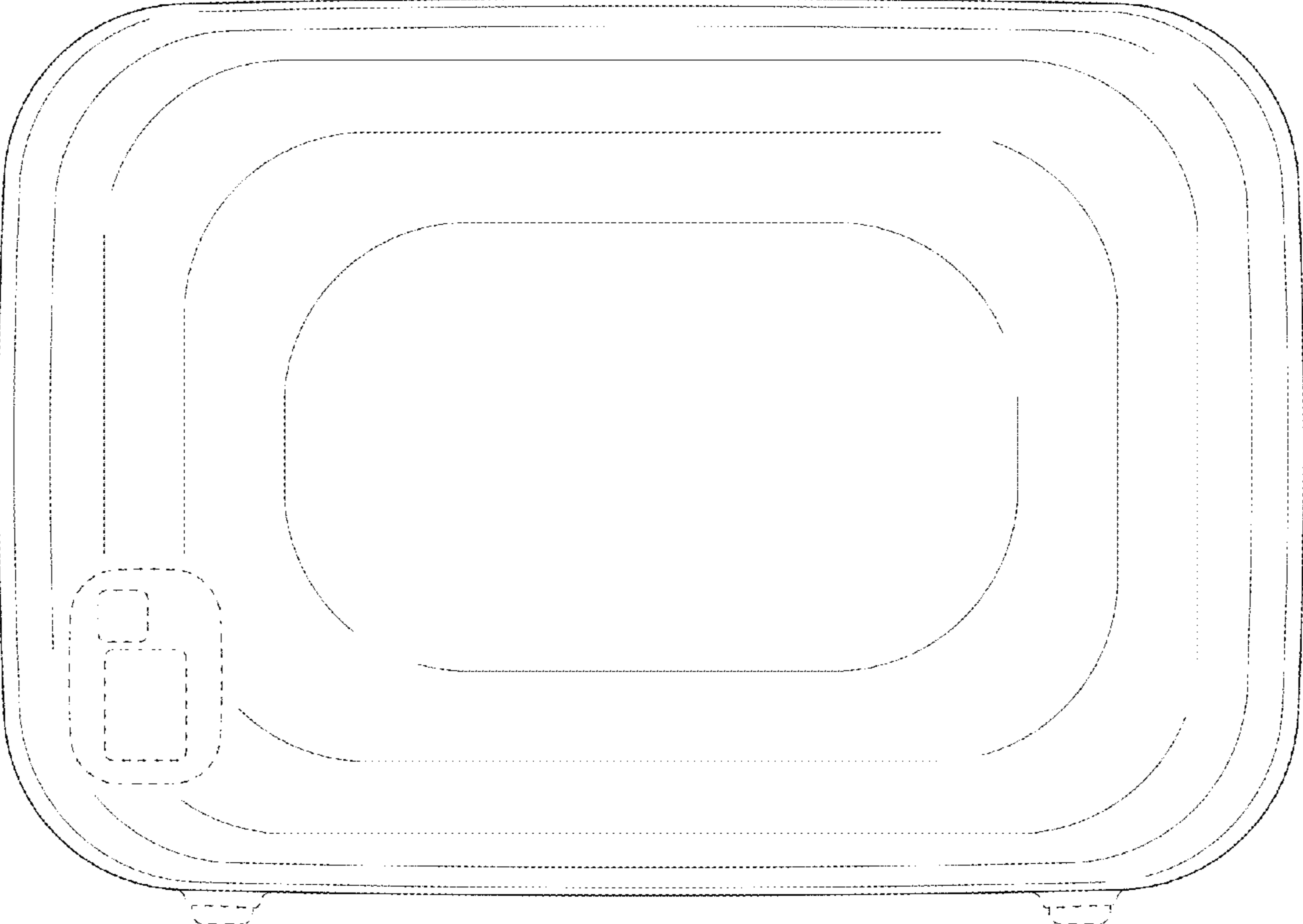


FIG.4

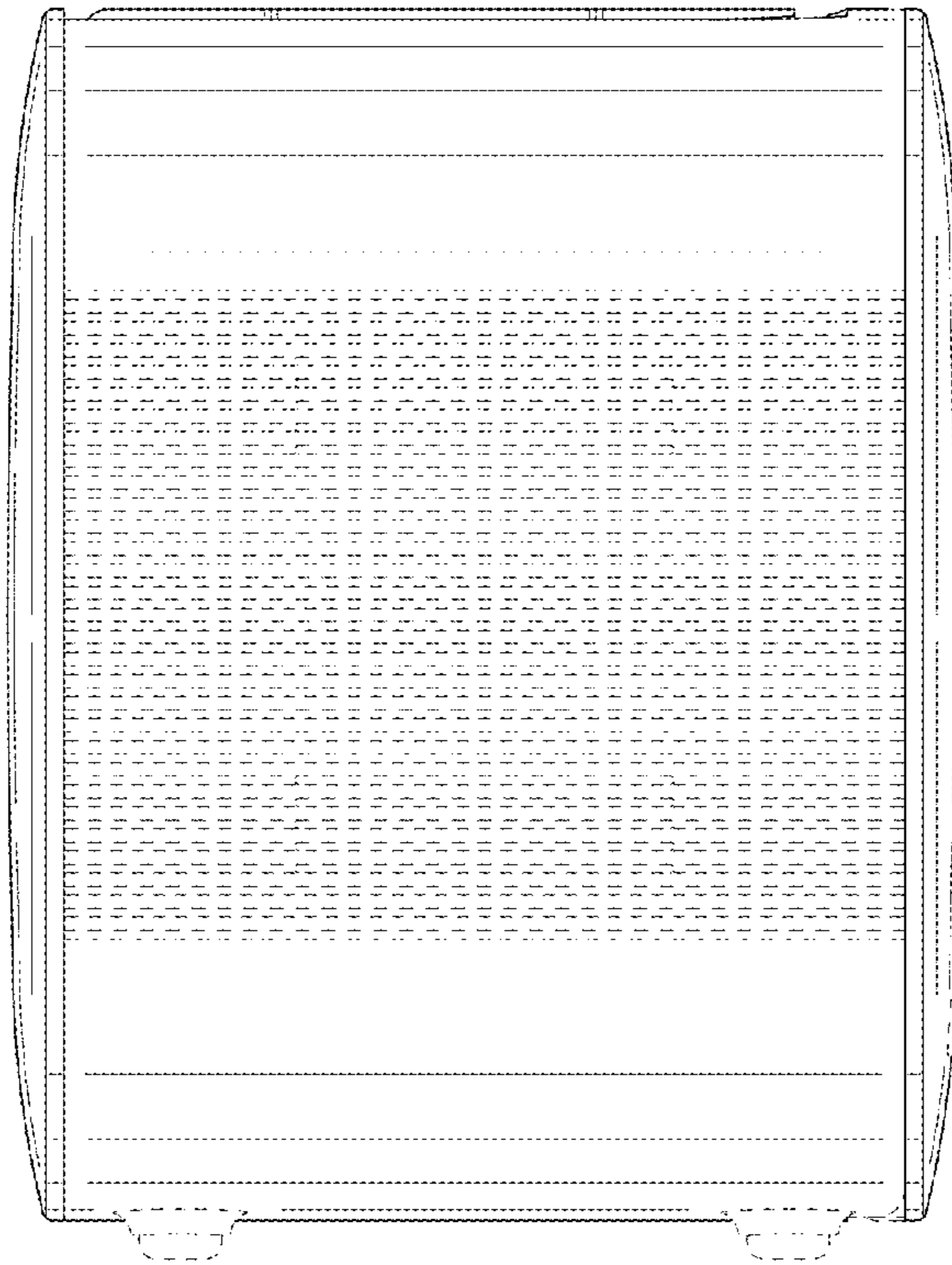


FIG.5

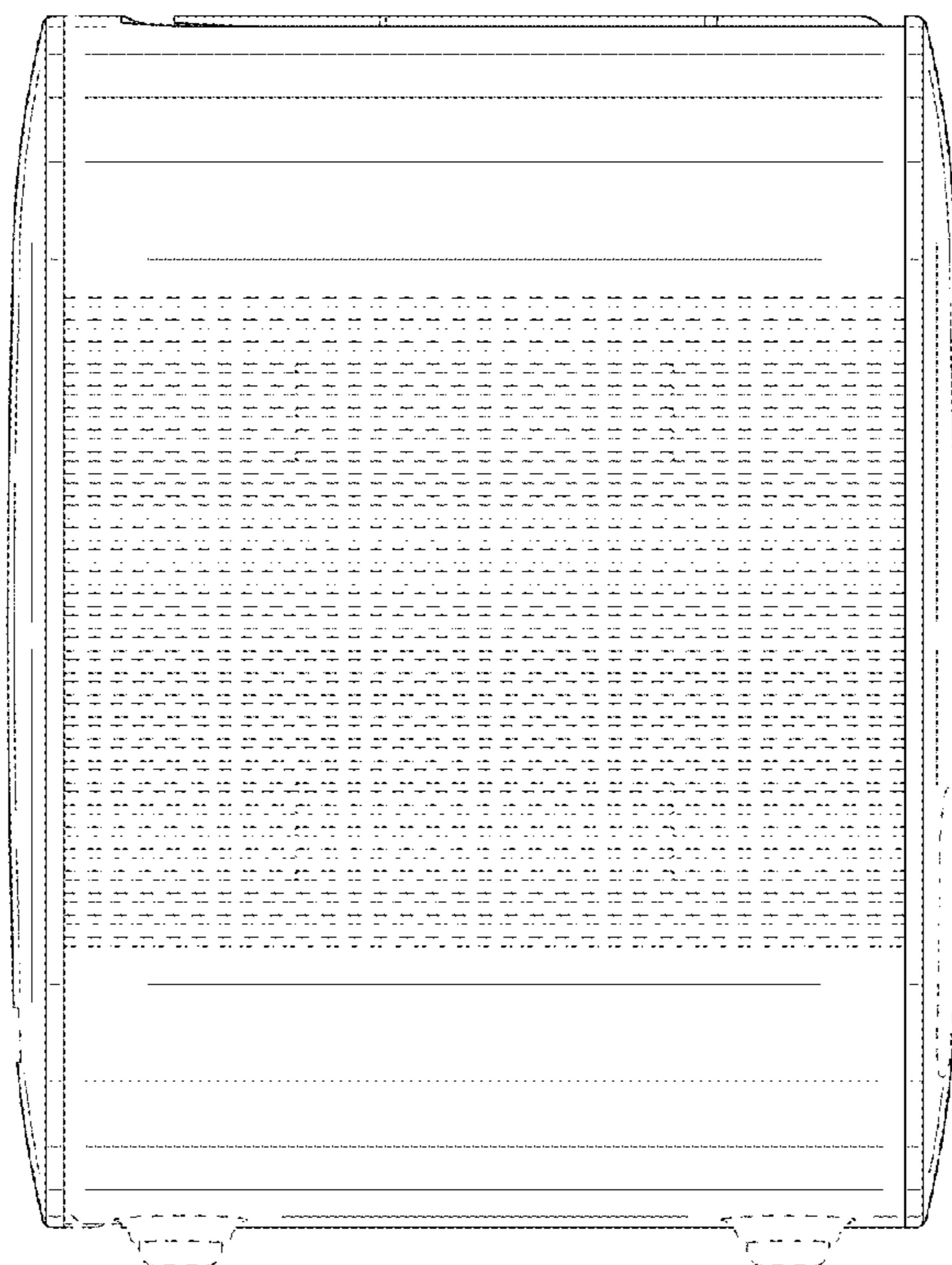


FIG.6

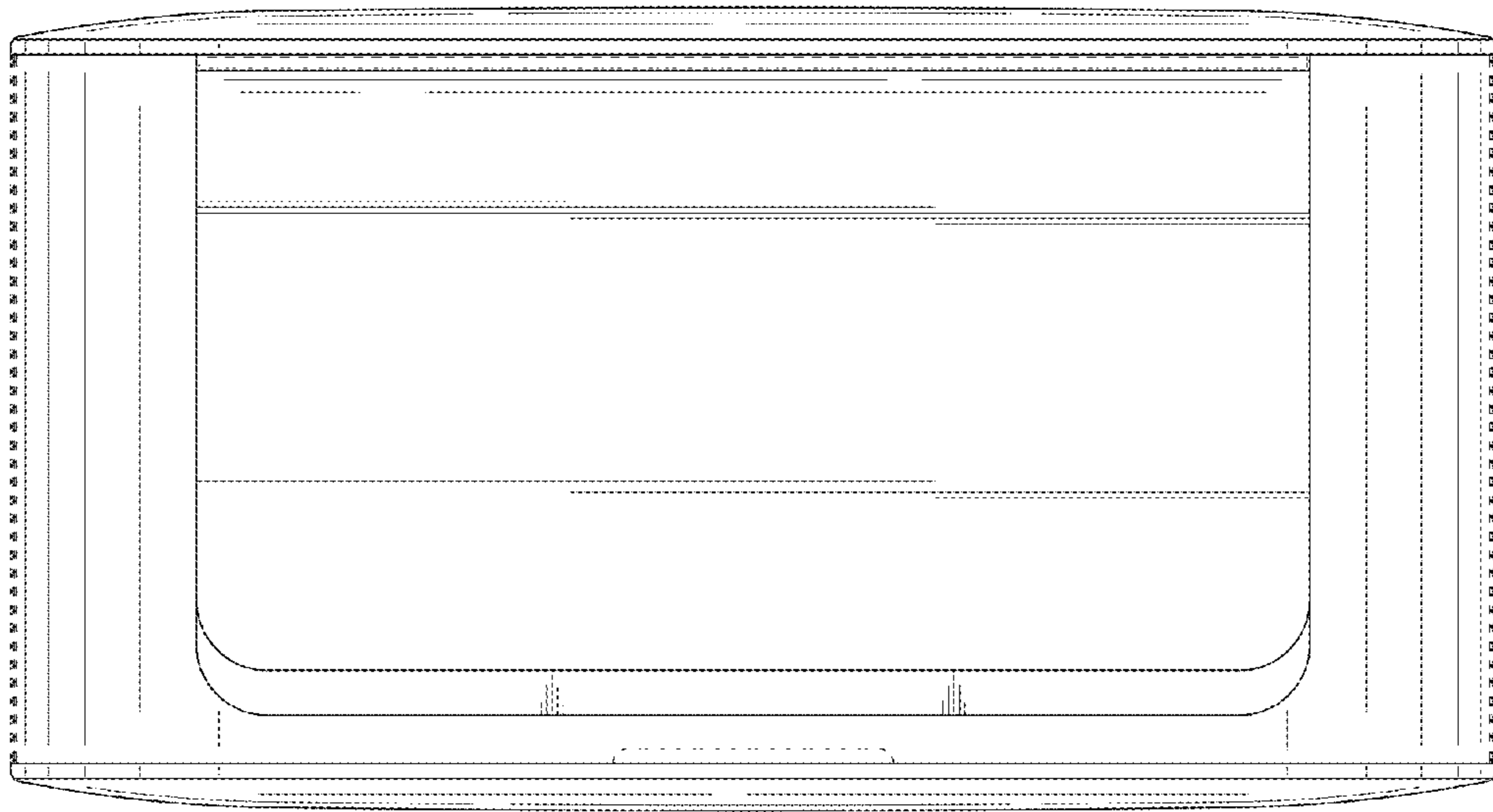


FIG.7

