



US00D751134S

(12) **United States Design Patent**
Suzuki

(10) **Patent No.:** **US D751,134 S**
(45) **Date of Patent:** **** Mar. 8, 2016**

(54) **ADAPTER FOR VIDEO CAMERA**

(71) Applicant: **Sony Corporation**, Tokyo (JP)

(72) Inventor: **Satoshi Suzuki**, Tokyo (JP)

(73) Assignee: **Sony Corporation**, Tokyo (JP)

(**) Term: **14 Years**

(21) Appl. No.: **29/452,904**

(22) Filed: **Apr. 23, 2013**

(30) **Foreign Application Priority Data**

Oct. 24, 2012 (JP) D2012-025864

(51) **LOC (10) Cl.** **16-05**

(52) **U.S. Cl.**
USPC **D16/237**

(58) **Field of Classification Search**

USPC D16/200, 202–205, 208, 209, 211, 212,
D16/216–220, 242; D8/300, 331, 333,
D8/336–339, 341, 343, 345; 348/373–376;
396/354, 176–178, 535, 538–541
CPC G03B 17/02; G03B 19/04; G03B 17/56;
G03B 17/04; G03B 15/03; G03B 15/05;
H04N 5/2251; H04N 5/2252; H04N 5/2253;
H04N 5/2254; H04N 2007/145; H04N 7/141;
H04N 7/142; H04N 7/147; H04N 7/148;
H04N 7/15; H04N 7/152

See application file for complete search history.

(56) **References Cited**

U.S. PATENT DOCUMENTS

D295,019	S	*	4/1988	Bocson	D8/337
D392,614	S		3/1998	Shimizu et al.		
D410,431	S		6/1999	Sasago et al.		
D532,675	S	*	11/2006	Weinerman et al.	D8/331
D620,340	S	*	7/2010	Liljeqvist et al.	D8/330
D635,435	S	*	4/2011	Yamaguchi	D8/330
D635,436	S	*	4/2011	Barton	D8/331
D690,578	S	*	10/2013	Smith	D8/331
D700,039	S	*	2/2014	Kim et al.	D8/331
D705,038	S	*	5/2014	Stevens	D8/333

* cited by examiner

Primary Examiner — Adir Aronovich

Assistant Examiner — Ramzi Almatrahi

(74) *Attorney, Agent, or Firm* — Michael Best & Friedrich LLP

(57) **CLAIM**

The ornamental design for an adapter for a video camera, as shown and described.

DESCRIPTION

FIG. 1 is a perspective view of an adapter for a video camera showing my new design;
FIG. 2 is a front elevational view thereof;
FIG. 3 is a right side elevational view thereof;
FIG. 4 is a top plan view thereof; and,
FIG. 5 is an enlarged cross sectional view thereof along the lines 5-5 and 5'-5' of FIG. 2.
The broken lines in the drawings are included for the purpose of illustrating environmental subject matter and form no part of the claimed design.

1 Claim, 5 Drawing Sheets

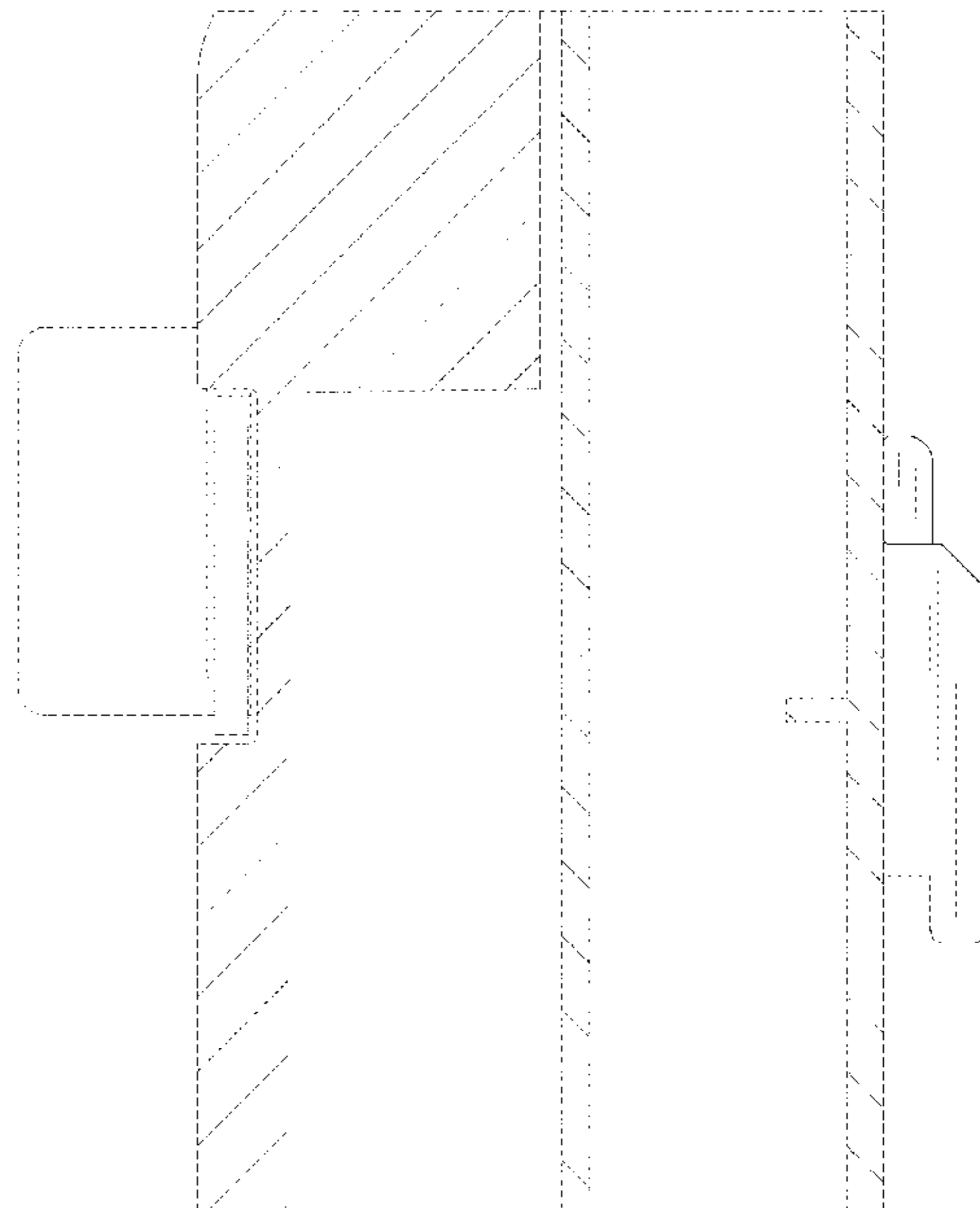
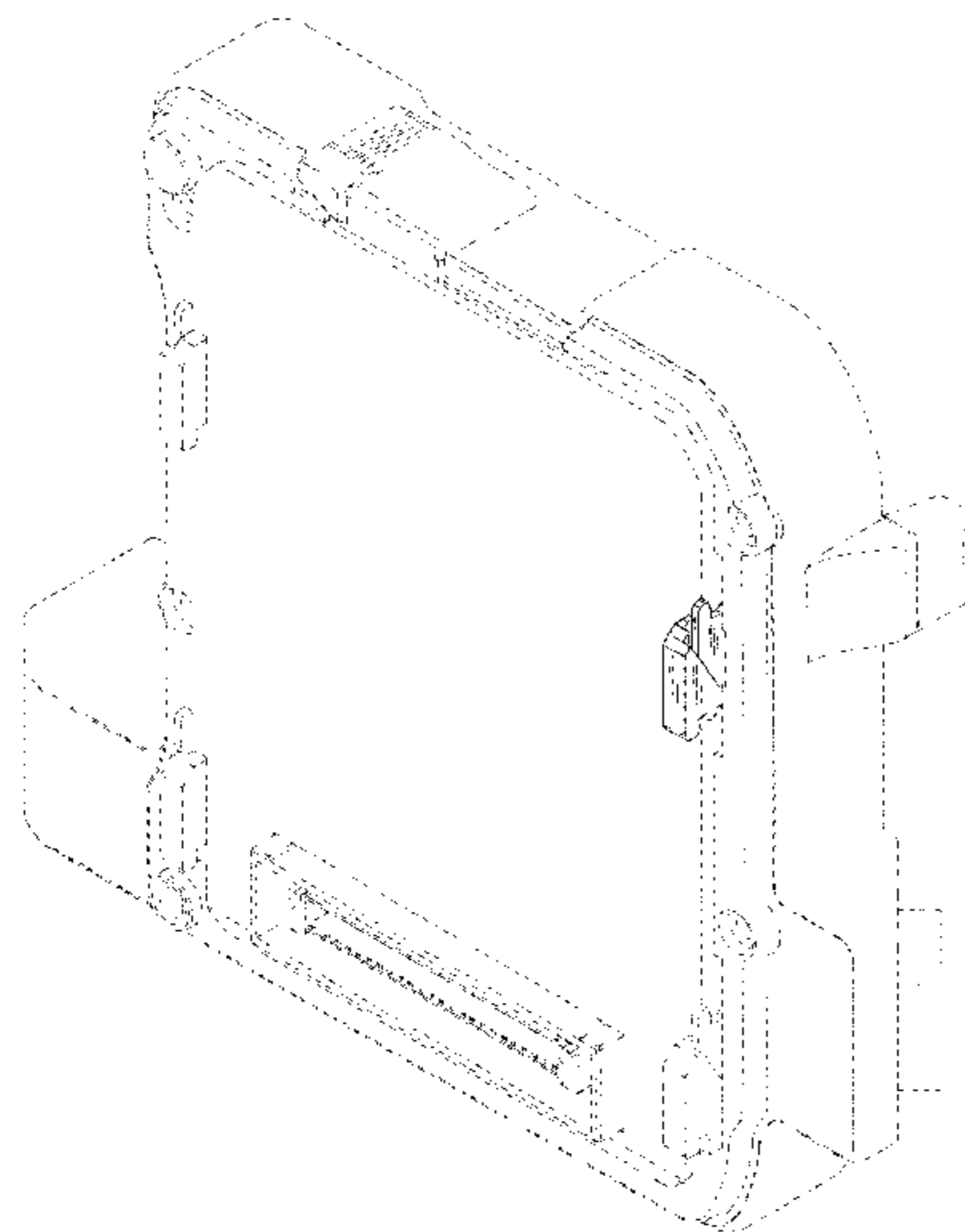


FIG. 1

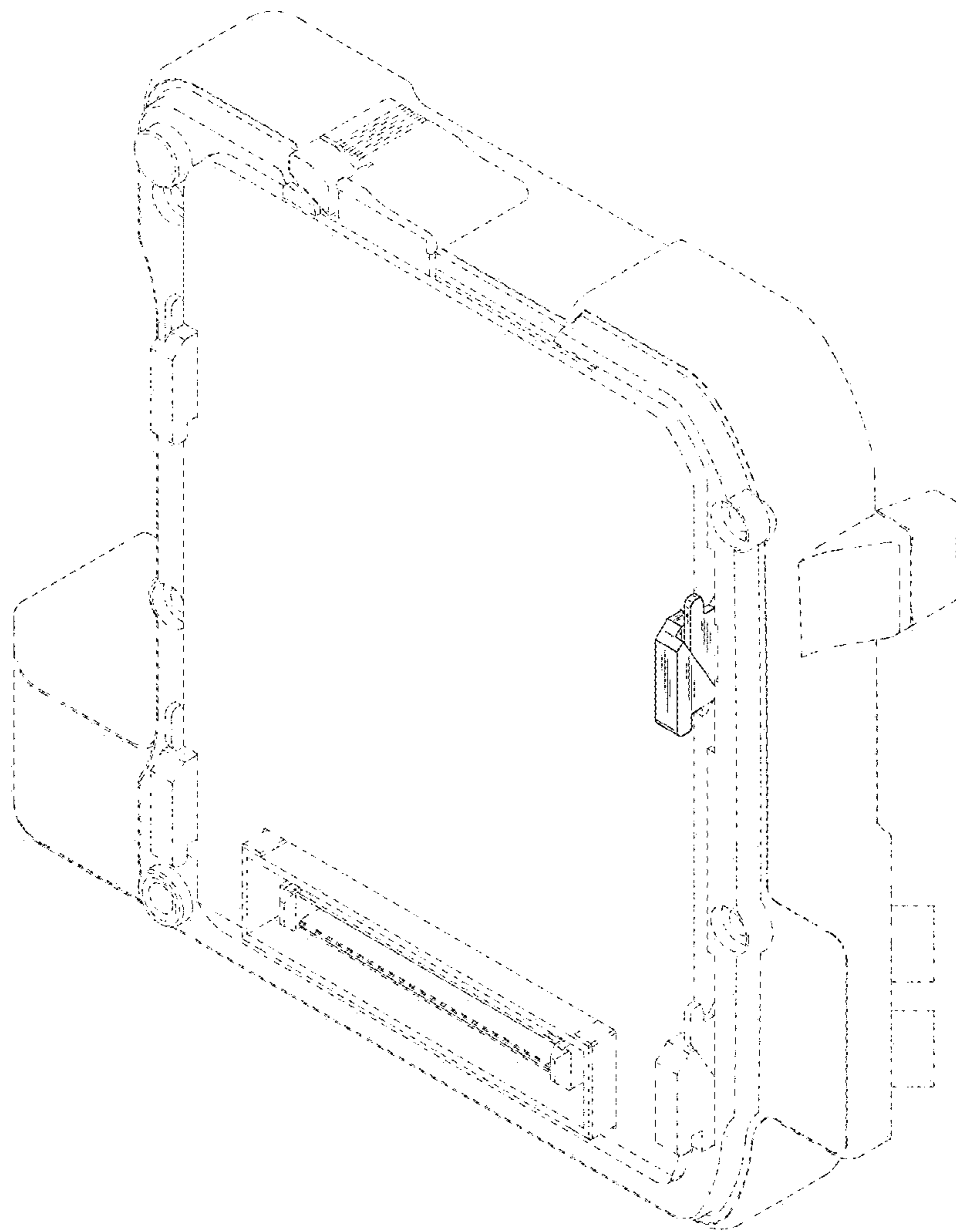


FIG.2

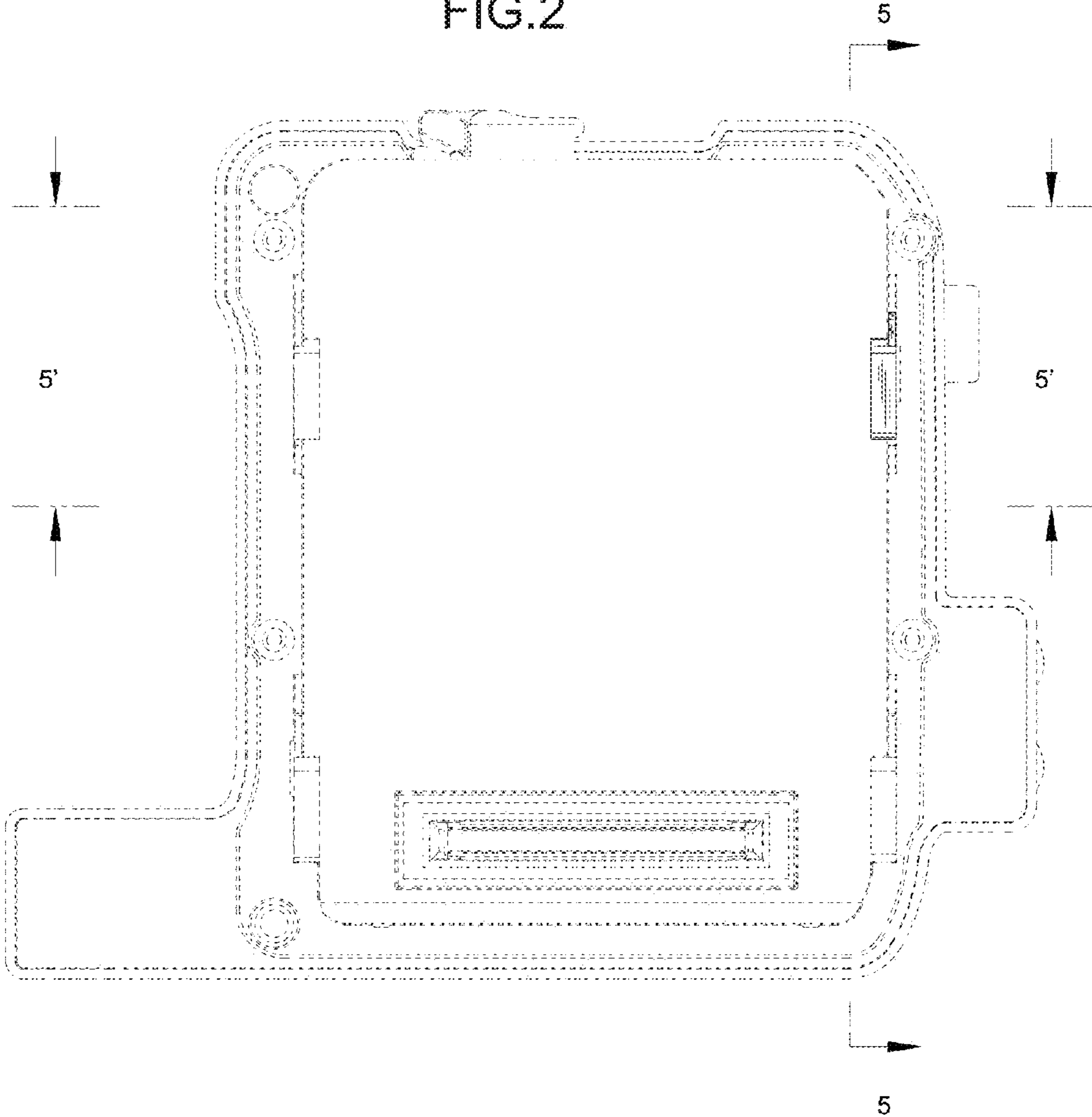


FIG.3

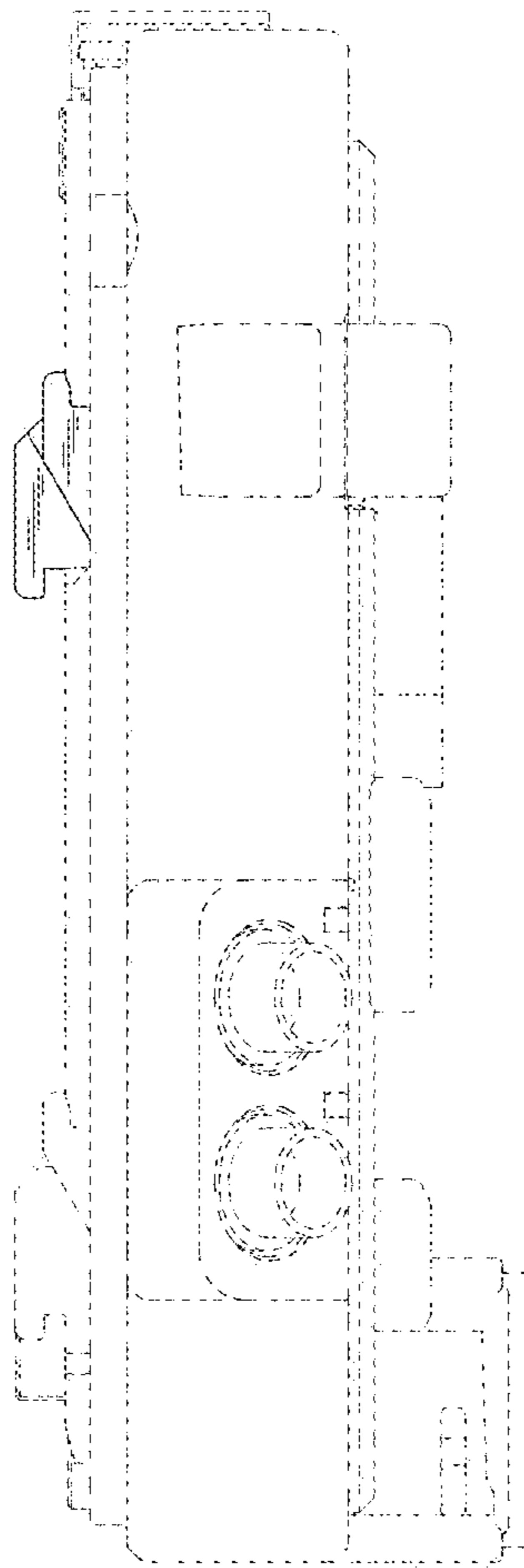


FIG.4

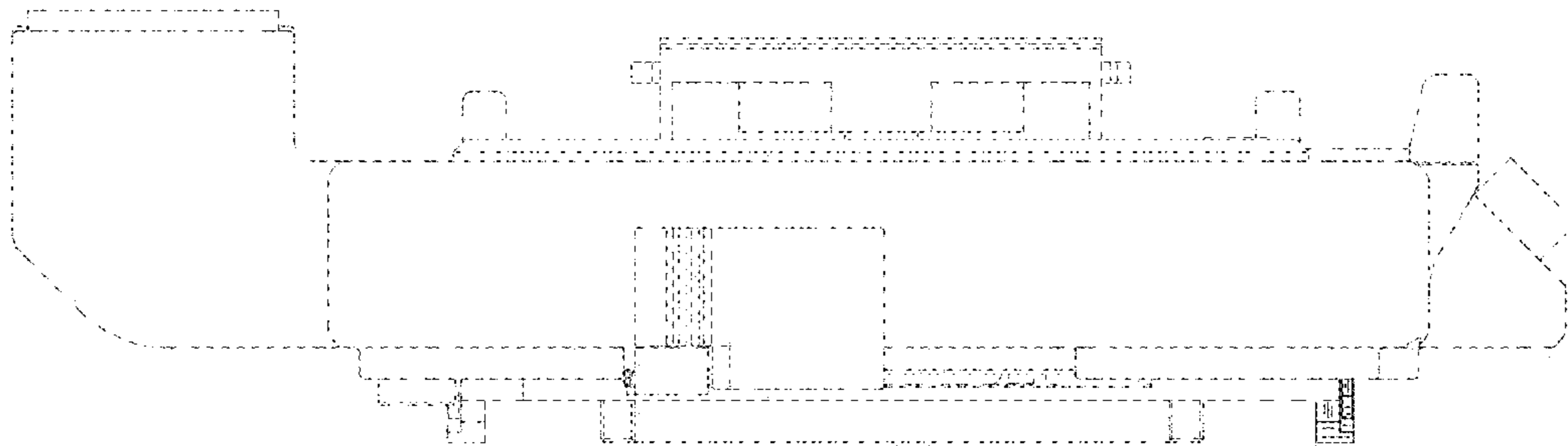


FIG.5

