



US00D751133S

(12) **United States Design Patent**
Gioscia et al.

(10) **Patent No.:** **US D751,133 S**
(45) **Date of Patent:** **** Mar. 8, 2016**

- (54) **CAMERA HOUSING**
- (71) Applicant: **GoPro, Inc.**, San Mateo, CA (US)
- (72) Inventors: **Richard Gioscia**, Santa Clara, CA (US);
Seungheon Lee, Cupertino, CA (US);
Derek Yap, San Carlos, CA (US); **Evan L. Coons**, San Mateo, CA (US); **Joshua P. Davies**, Fremont, CA (US)
- (73) Assignee: **GoPro, Inc.**, San Mateo, CA (US)
- (**) Term: **14 Years**
- (21) Appl. No.: **29/516,749**
- (22) Filed: **Feb. 5, 2015**

Related U.S. Application Data

- (63) Continuation of application No. 29/491,394, filed on May 20, 2014, now Pat. No. Des. 725,169, which is a continuation of application No. 29/461,140, filed on Jul. 18, 2013, now Pat. No. Des. 710,921.
- (51) **LOC (10) Cl.** **16-05**
- (52) **U.S. Cl.**
USPC **D16/219**
- (58) **Field of Classification Search**
USPC D16/200, 202–204, 208, 211, 218, 219,
D16/237, 242; 248/176.1, 187.1; 348/81,
348/360, 373–376, 835; 396/25, 27–29,
396/419, 535, 539–541
CPC G03B 15/03; G03B 17/02; G03B 17/04;
G03B 17/08; G03B 17/56; G03B 19/04;
H04N 5/2251; H04N 5/2252; H04N 5/2253;
H04N 5/2254; A45C 11/38
See application file for complete search history.

(56) **References Cited**

U.S. PATENT DOCUMENTS

- D321,704 S 11/1991 Leonard et al.
- D367,283 S 2/1996 Lyon et al.

- D419,296 S 1/2000 Shinano
- D425,092 S 5/2000 Eto et al.
- D453,177 S 1/2002 Uehara
- D540,669 S 4/2007 George et al.
- D550,742 S 9/2007 Ishii
- D616,479 S 5/2010 Ganahl, Jr.
- D621,432 S 8/2010 Yim
- D622,591 S 8/2010 Biesecker et al.
- D635,436 S 4/2011 Barton
- D635,437 S 4/2011 Barton
- D635,438 S 4/2011 Barton
- D635,439 S 4/2011 Barton
- D635,440 S 4/2011 Barton
- D642,054 S 7/2011 Samartgis
- D645,725 S 9/2011 Katz et al.
- 8,014,656 B2 9/2011 Woodman
- D646,313 S 10/2011 Woodman
- D647,554 S 10/2011 Yim

(Continued)

Primary Examiner — Adir Aronovich

Assistant Examiner — Ramzi Almatrahi

(74) *Attorney, Agent, or Firm* — Fenwick & West LLP

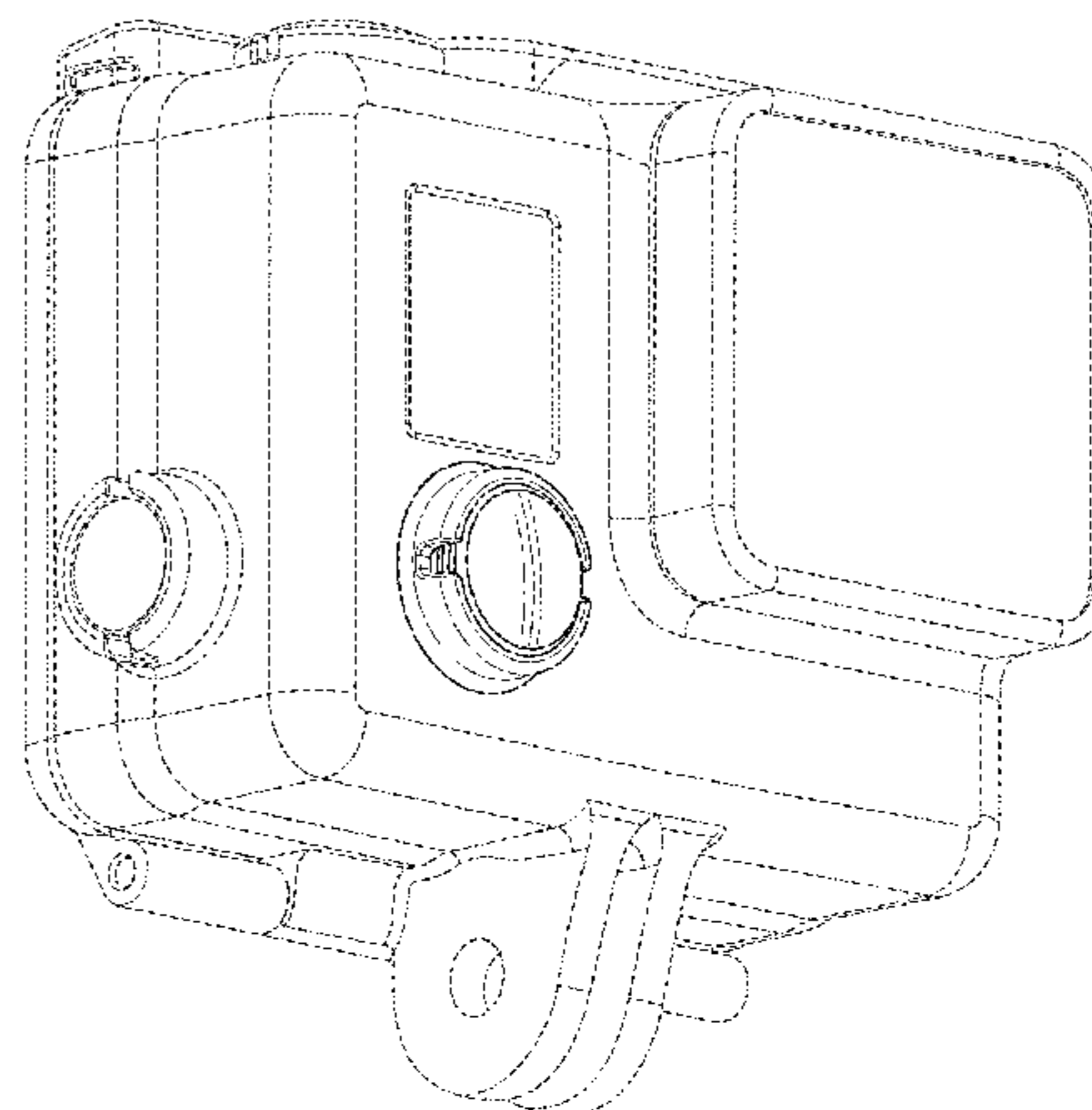
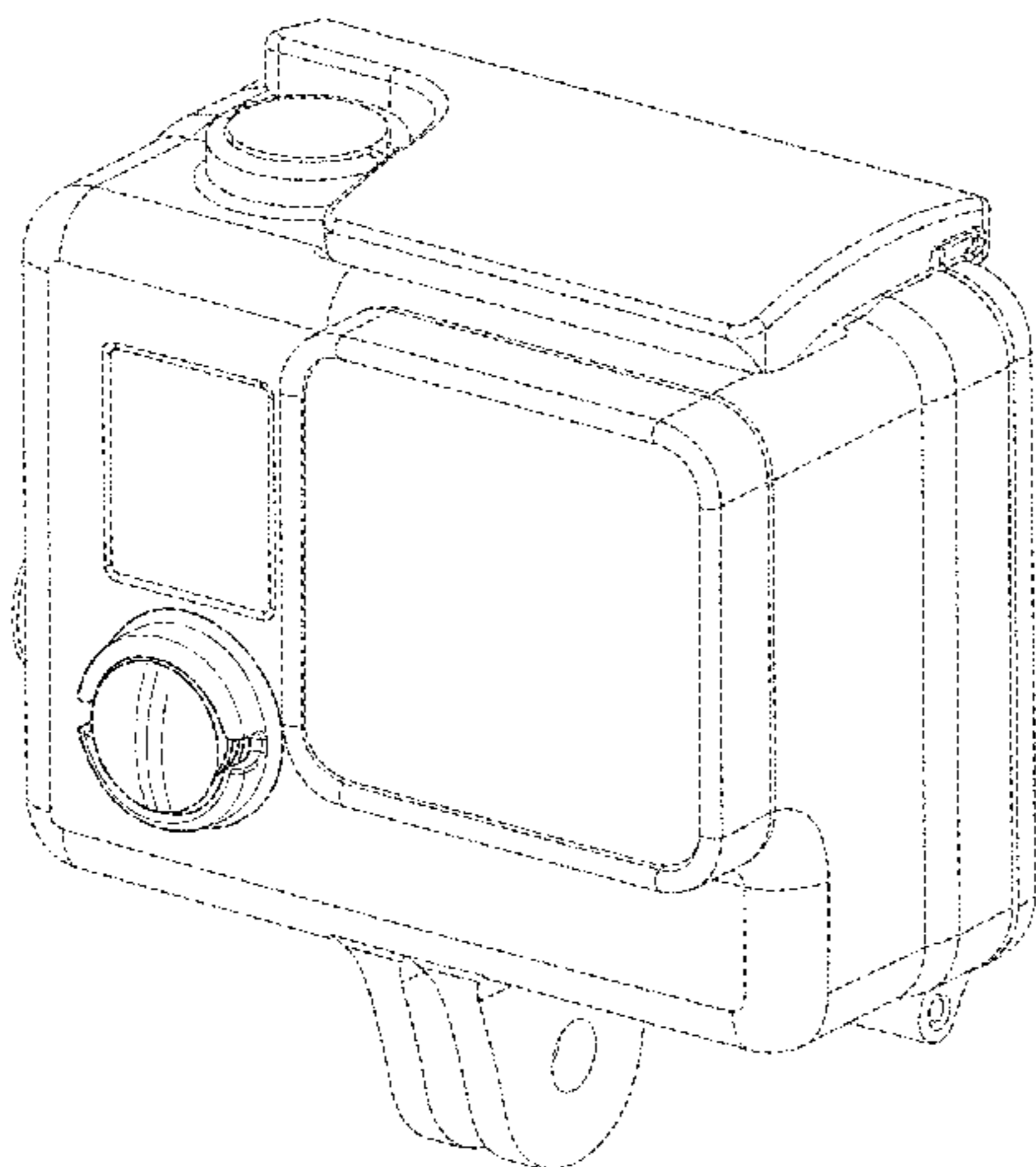
(57) **CLAIM**

The ornamental design for a camera housing, as shown and described.

DESCRIPTION

FIG. 1 is a front, top, and right side perspective view of a camera housing showing our new design;
 FIG. 2 is a front, bottom and left side perspective view thereof;
 FIG. 3 is a front elevational view thereof;
 FIG. 4 is a left side elevational view thereof;
 FIG. 5 is a right side elevational view thereof;
 FIG. 6 is a top plan view thereof; and,
 FIG. 7 is a bottom plan view thereof.
 The broken lines depict portions of a camera housing in which the design is embodied and form no part of the claimed design.

1 Claim, 7 Drawing Sheets



(56)

References Cited

U.S. PATENT DOCUMENTS

D657,808 S	4/2012	Woodman	D710,921 S *	8/2014	Gioscia	D16/200
D657,811 S	4/2012	Woodman	D710,922 S	8/2014	Gioscia et al.	
D674,428 S	1/2013	Woodman	8,870,475 B1	10/2014	Bennett et al.	
D674,429 S	1/2013	Woodman	D719,811 S	12/2014	Cooper et al.	
D684,569 S	6/2013	Willenborg	D724,638 S	3/2015	Samuels et al.	
8,544,643 B2	10/2013	Yim	D725,169 S	3/2015	Gioscia et al.	
8,596,890 B2	12/2013	Yim et al.	9,004,783 B1	4/2015	Woodman et al.	
D699,947 S	2/2014	To et al.	D733,787 S	7/2015	Baker et al.	
D700,778 S	3/2014	To et al.	D733,788 S	7/2015	Baker et al.	
D702,276 S	4/2014	Woodman	D734,799 S *	7/2015	Woodman	D16/200
D702,277 S	4/2014	Woodman	D739,451 S *	9/2015	Gioscia	D16/200
D702,747 S	4/2014	Woodman et al.	D740,876 S *	10/2015	Woodman	D16/200
D702,754 S	4/2014	Bould et al.	2003/0133206 A1	7/2003	Belefant	
			2007/0071423 A1	3/2007	Fantone et al.	
			2009/0317069 A1	12/2009	Yim	

* cited by examiner

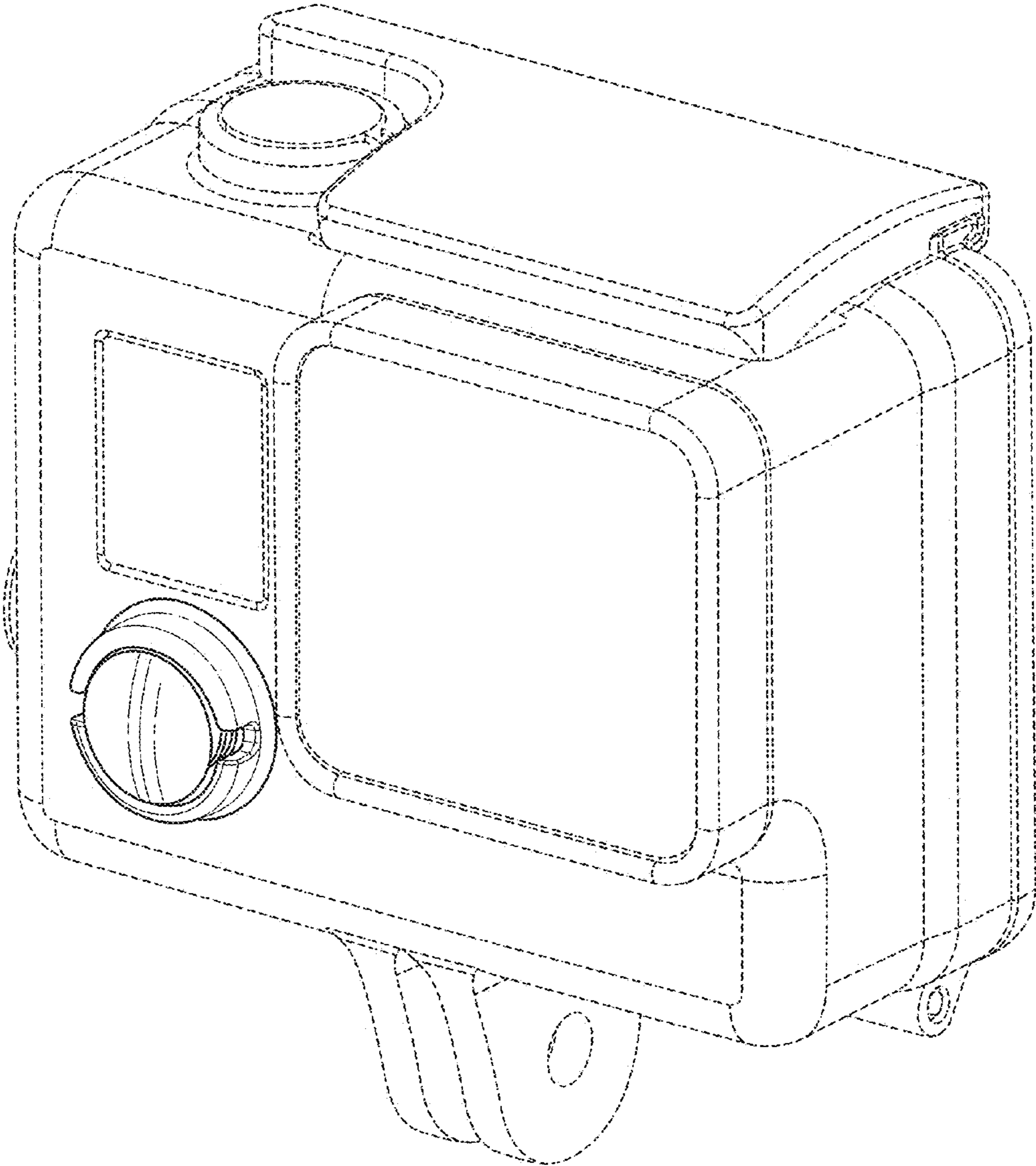


FIG. 1

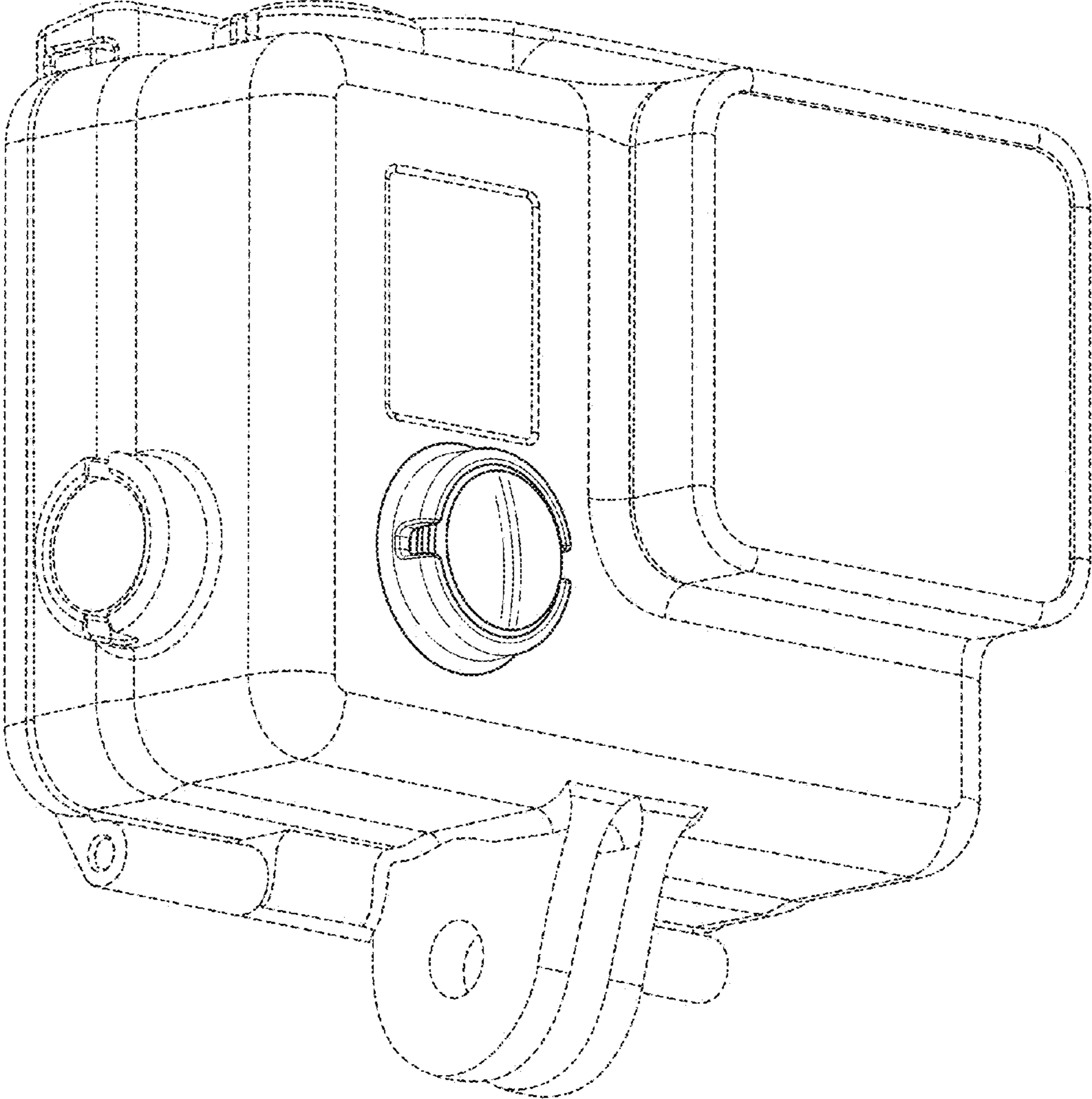


FIG. 2

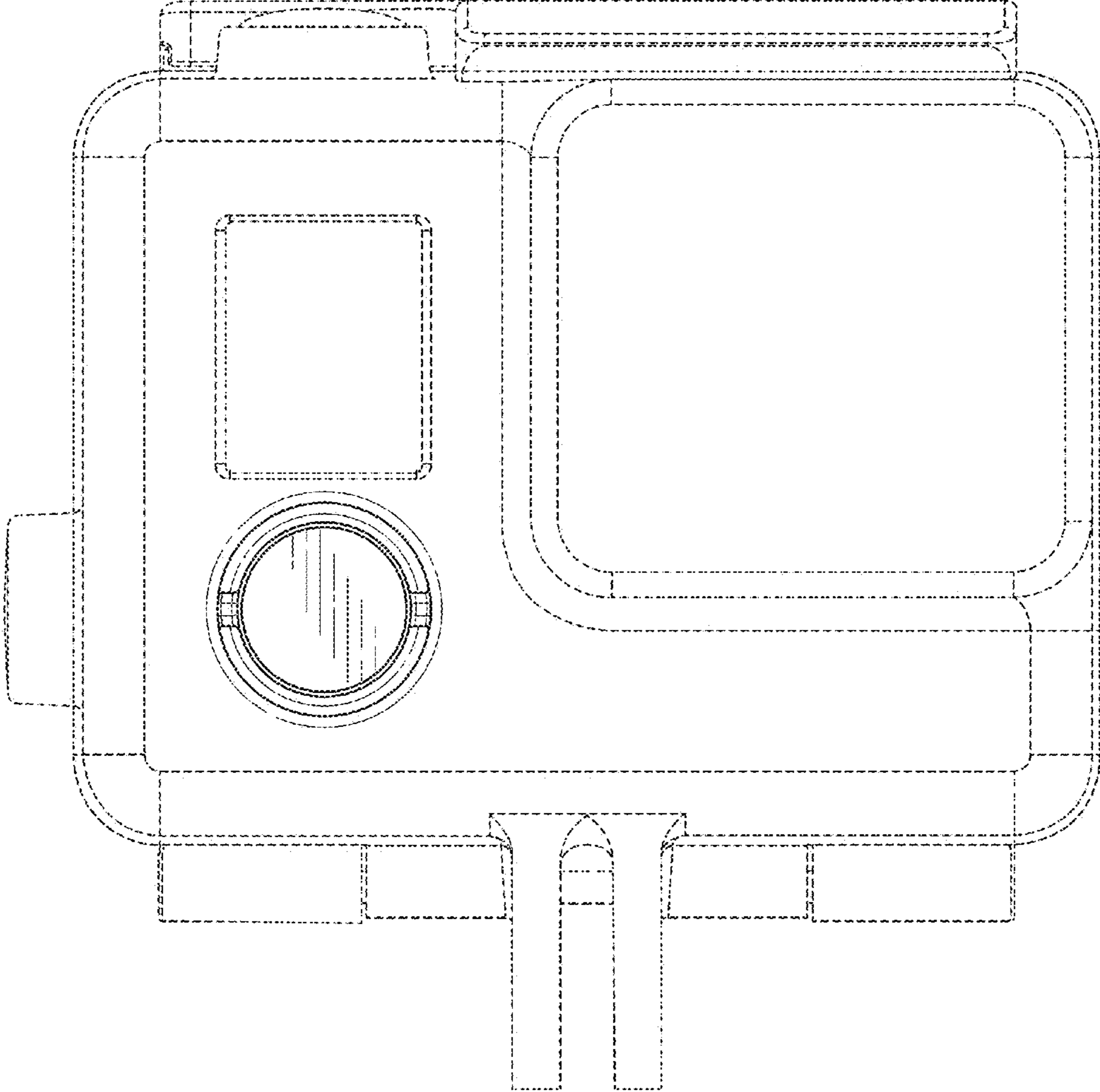


FIG. 3

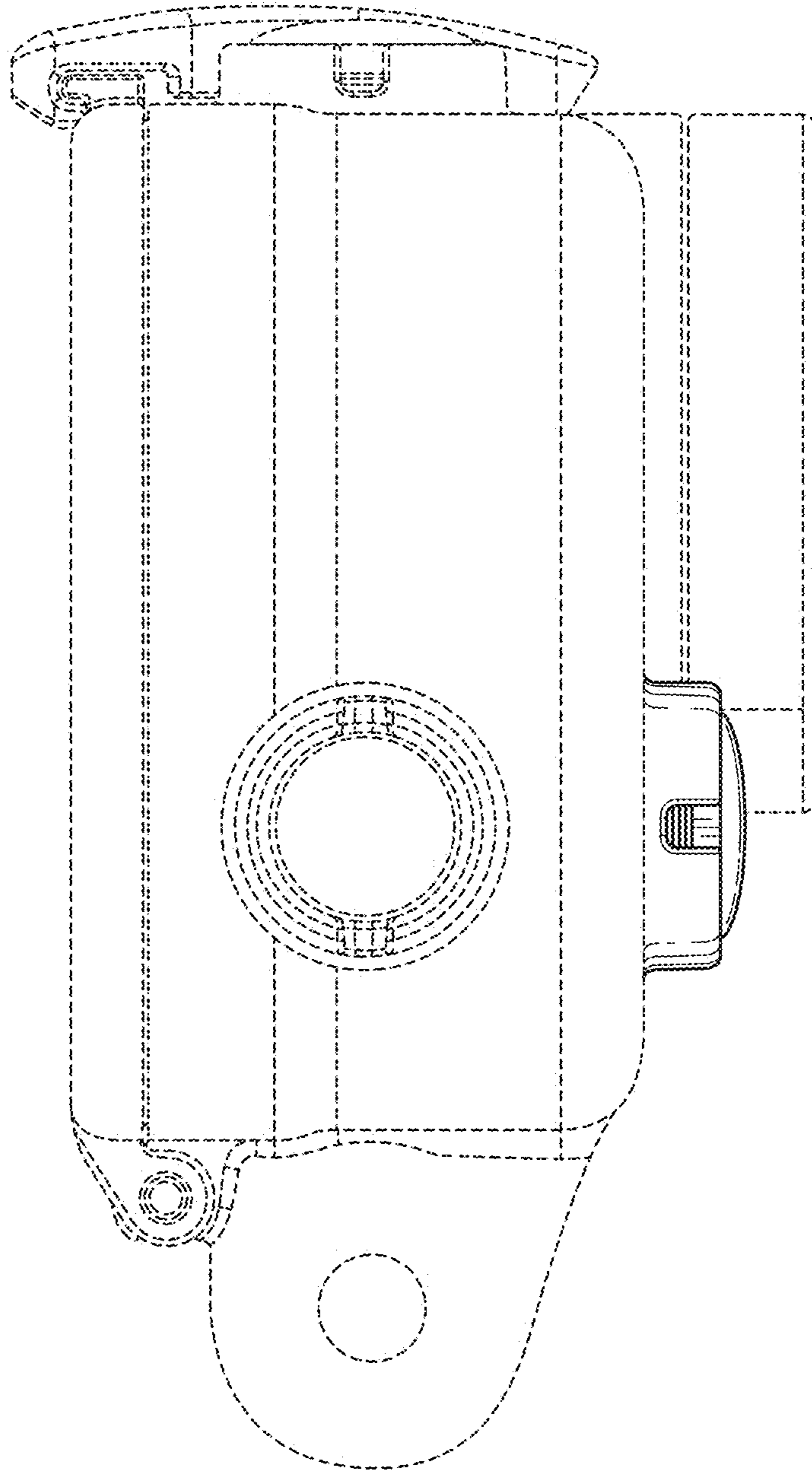


FIG. 4

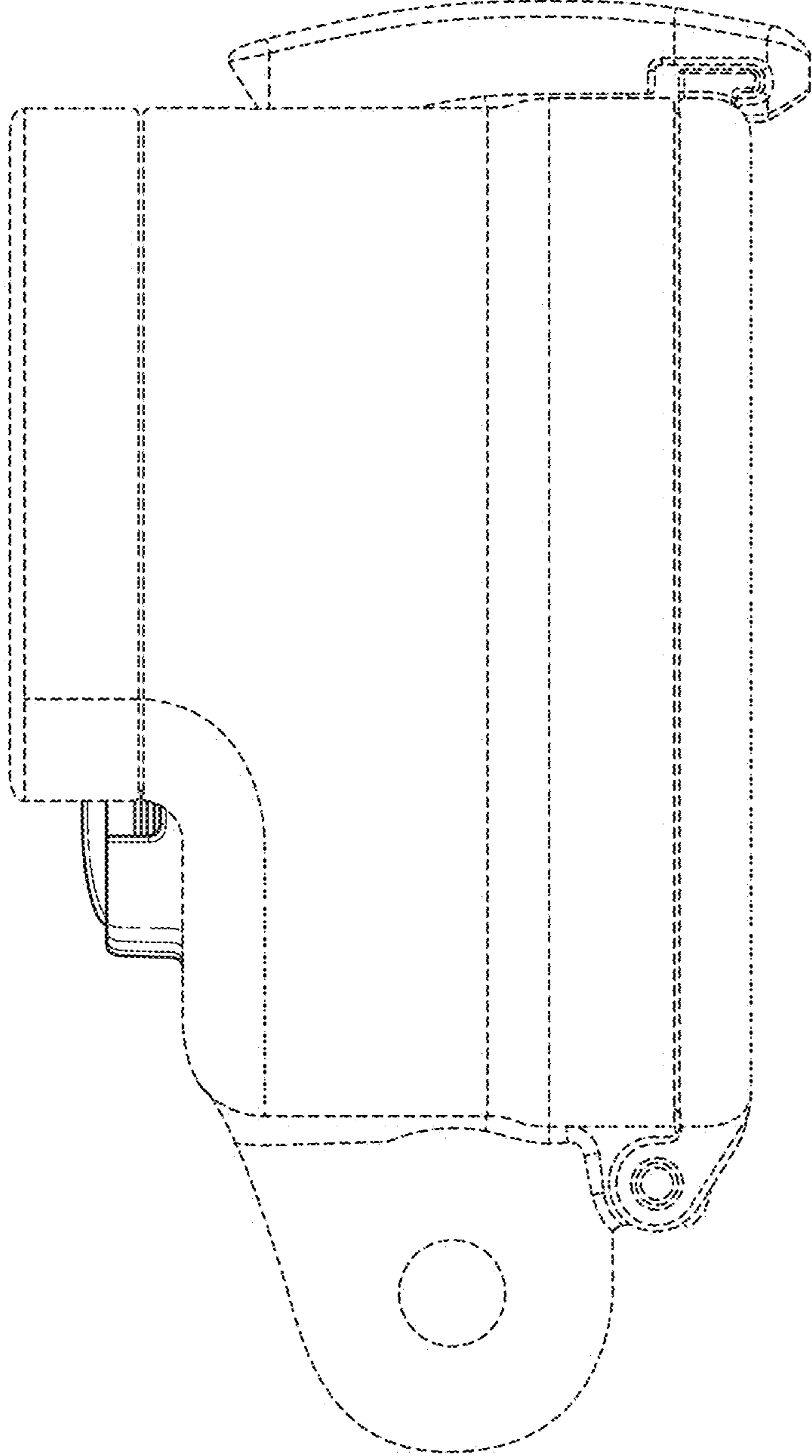


FIG. 5

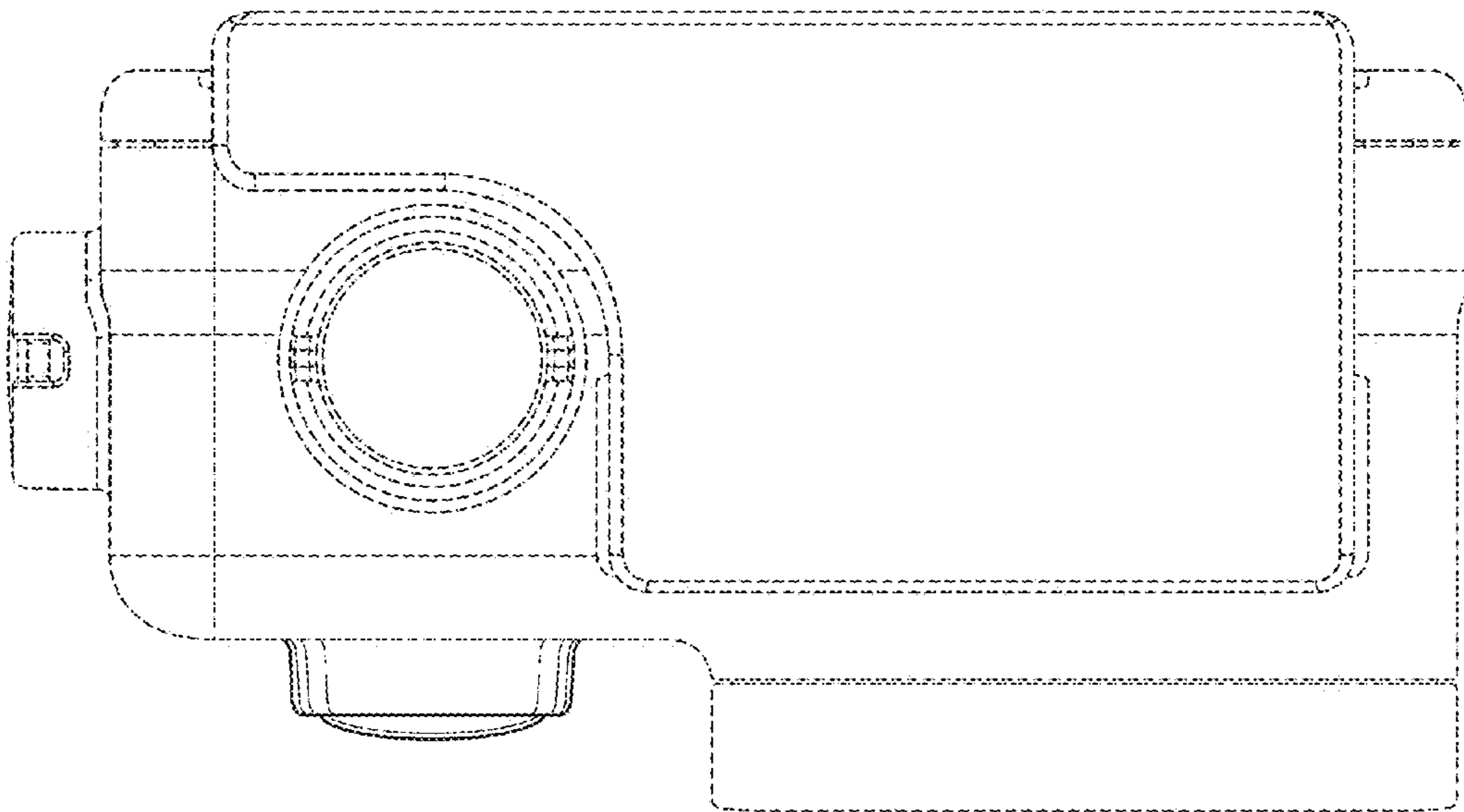


FIG. 6

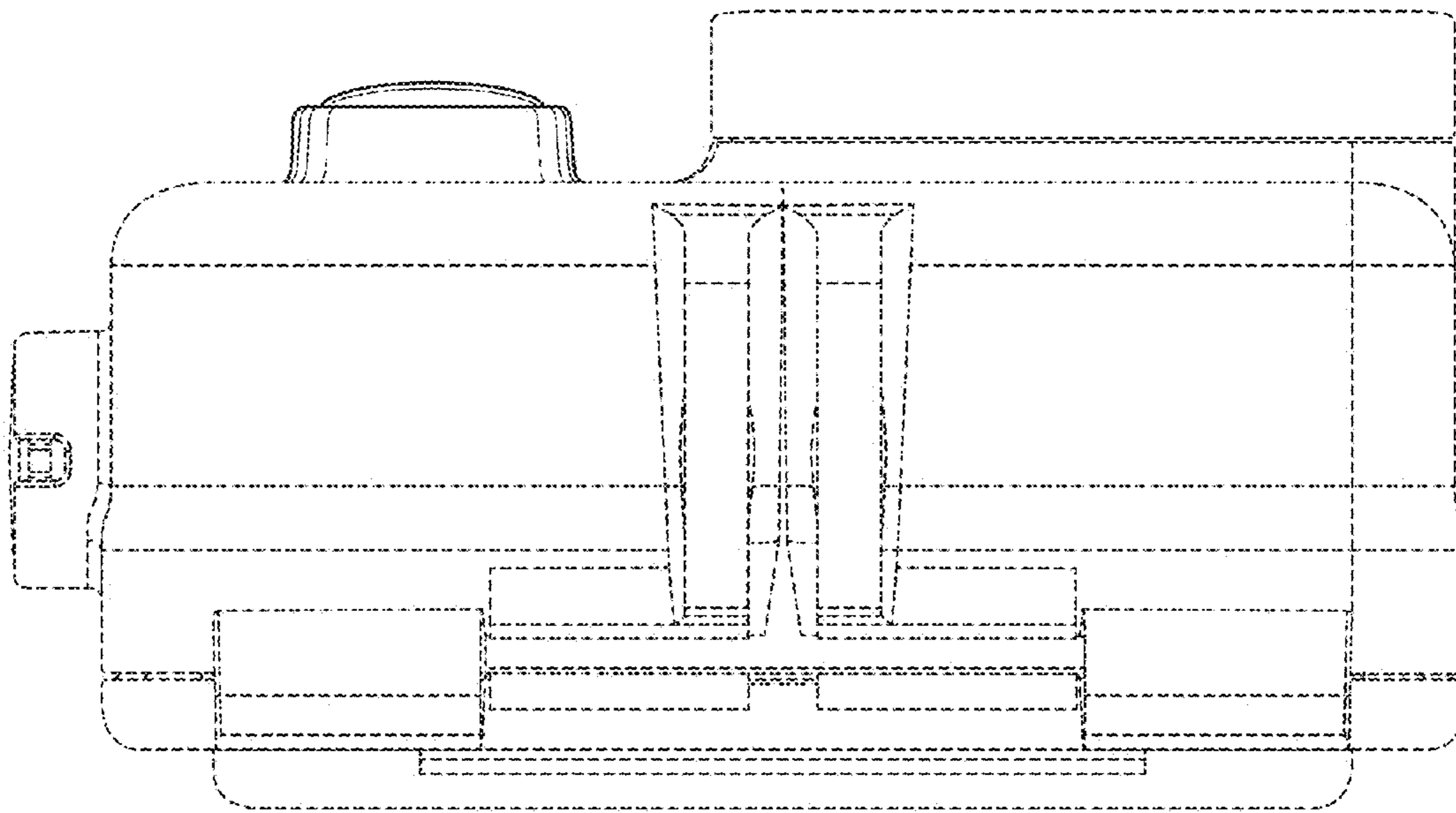


FIG. 7