



US00D751132S

(12) **United States Design Patent**
Sakai

(10) **Patent No.:** **US D751,132 S**
(45) **Date of Patent:** **** Mar. 8, 2016**

(54) **WIRELESS TRANSMISSION DIGITAL CAMERA OF LENS REPLACING TYPE**

(56) **References Cited**

U.S. PATENT DOCUMENTS

(71) Applicant: **OLYMPUS IMAGING CORP.**,
Shibuya-ku, Tokyo (JP)
(72) Inventor: **Koji Sakai**, Hachioji (JP)
(73) Assignee: **OLYMPUS CORPORATION**, Tokyo
(JP)

D516,108 S * 2/2006 Cheng D16/203
7,985,030 B1 * 7/2011 Chou G03B 37/02
396/428
D716,361 S * 10/2014 Tsuge D16/218
D728,661 S * 5/2015 Kim D16/219
D729,859 S * 5/2015 Shin D16/203
D730,422 S * 5/2015 Kim D16/218

* cited by examiner

(**) Term: **14 Years**
(21) Appl. No.: **29/514,164**
(22) Filed: **Jan. 8, 2015**

Primary Examiner — Adir Aronovich
(74) *Attorney, Agent, or Firm* — Holtz, Holtz & Volek PC

(57) **CLAIM**

The ornamental design for a wireless transmission digital camera of lens replacing type, as shown.

(30) **Foreign Application Priority Data**

DESCRIPTION

Sep. 5, 2014 (JP) 2014-019720

(51) **LOC (10) Cl.** **16-01**

(52) **U.S. Cl.**
USPC **D16/218**

(58) **Field of Classification Search**
USPC D16/200, 202, 203, 208, 218, 219;
348/373, 374; 396/427, 428, 529-532,
396/535
CPC G03B 17/00; G03B 17/02
See application file for complete search history.

FIG. 1 is a front, top and right side perspective view of a wireless transmission digital camera of lens replacing type showing my new design;
FIG. 2 is a front elevational view thereof;
FIG. 3 is a rear elevational view thereof;
FIG. 4 is a top plan view thereof;
FIG. 5 is a bottom plan view thereof;
FIG. 6 is a right side elevational view thereof; and,
FIG. 7 is a left side elevational view thereof.

1 Claim, 4 Drawing Sheets

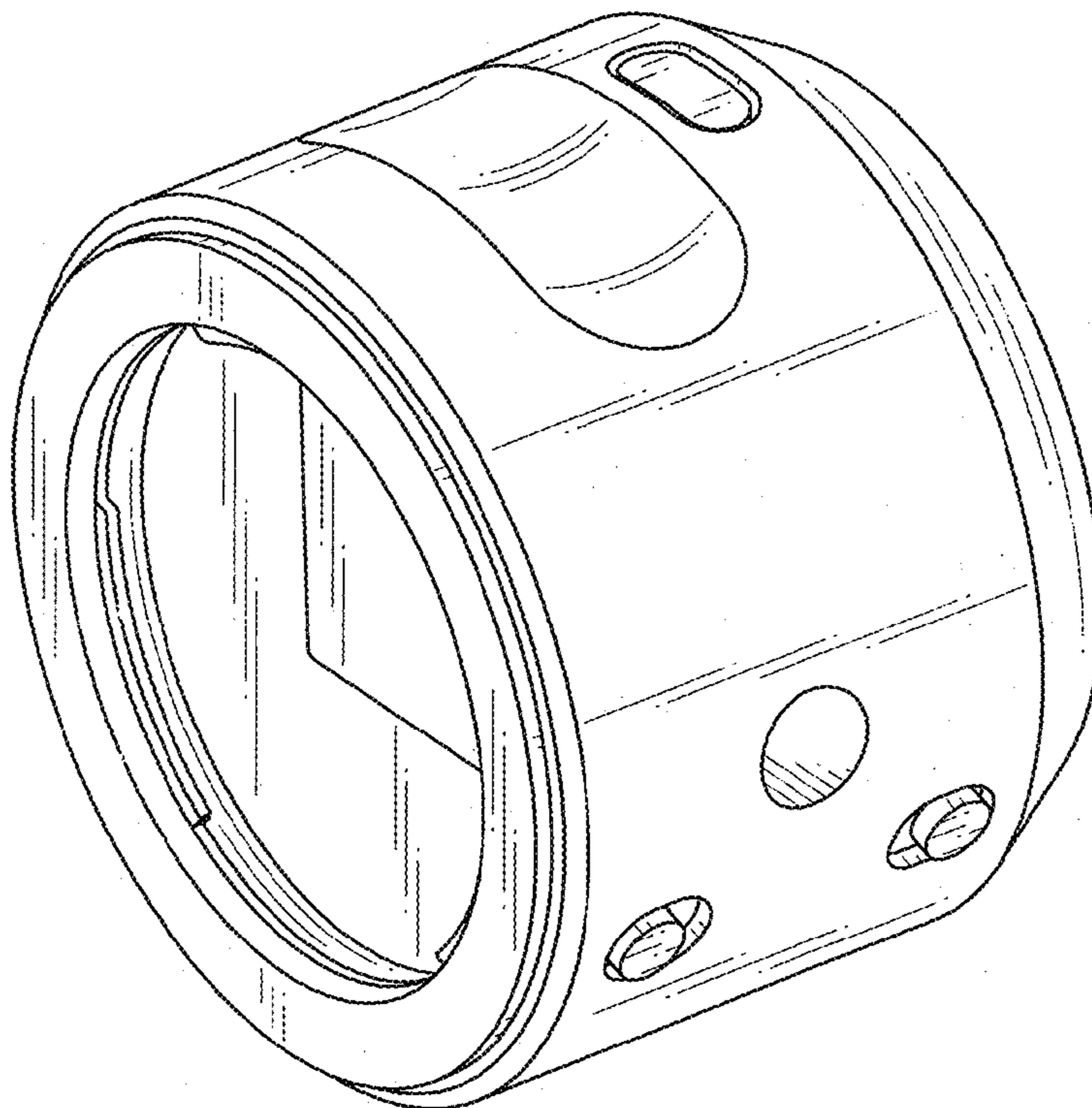


FIG.1

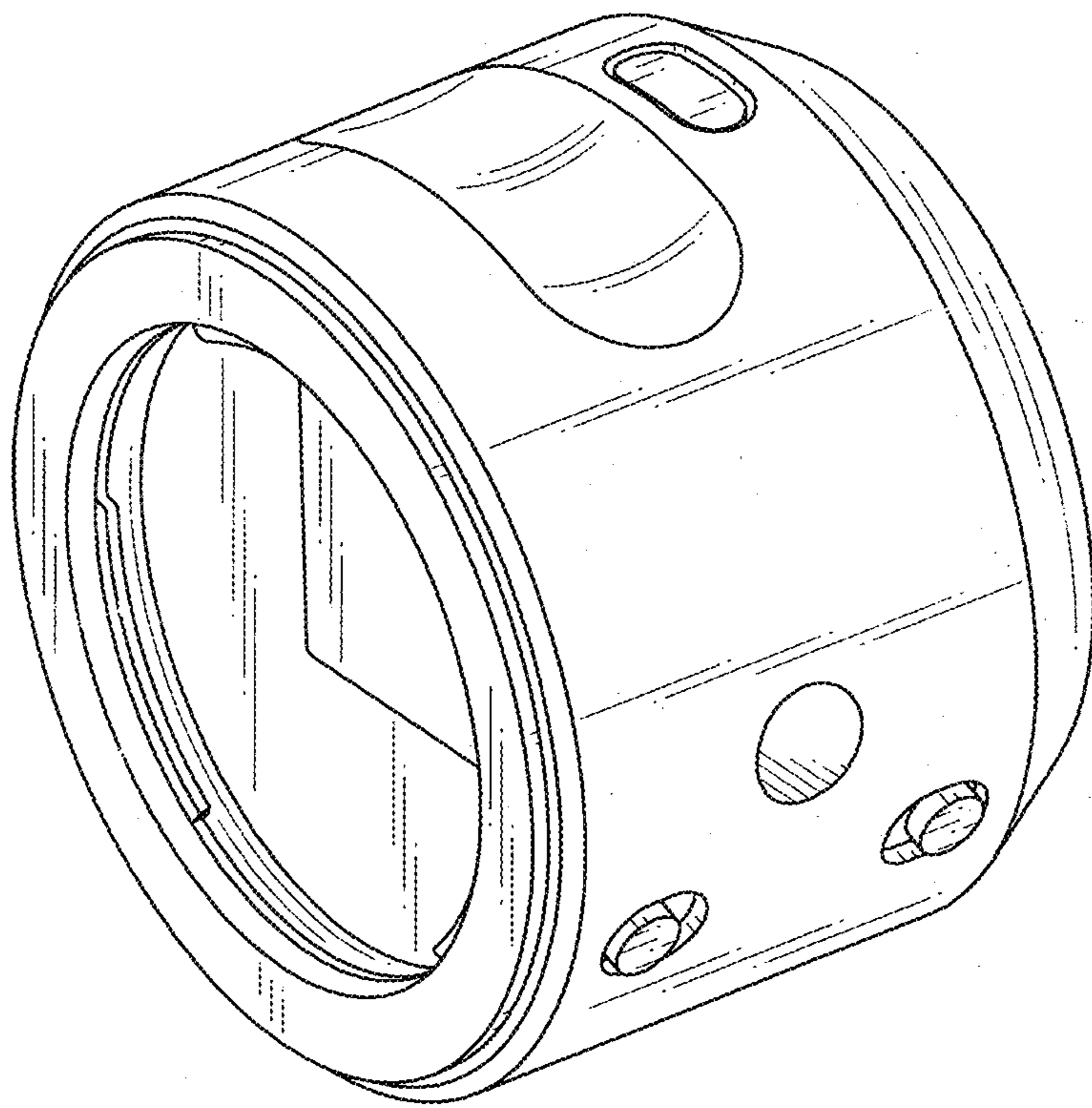


FIG.2

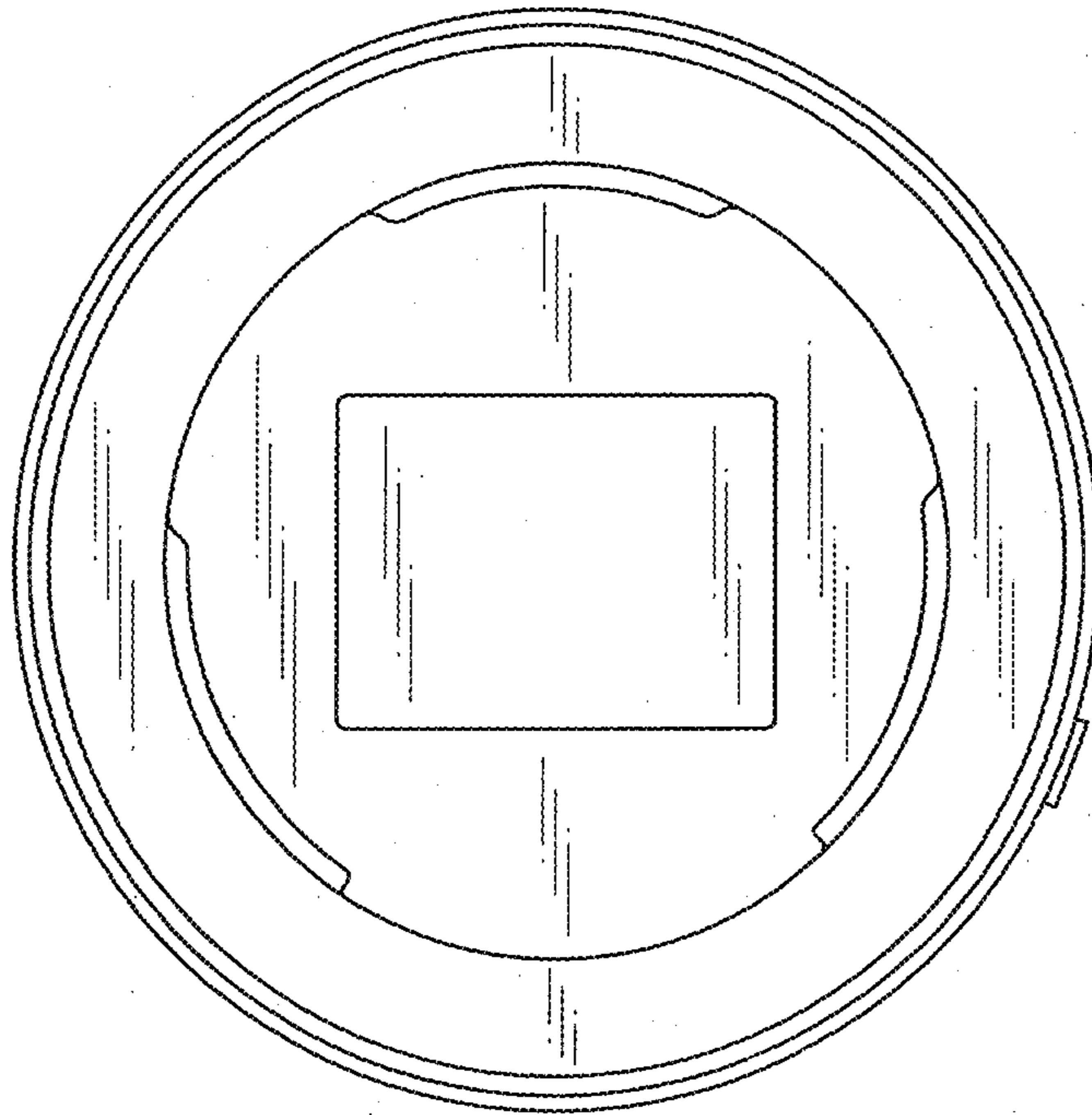


FIG.3

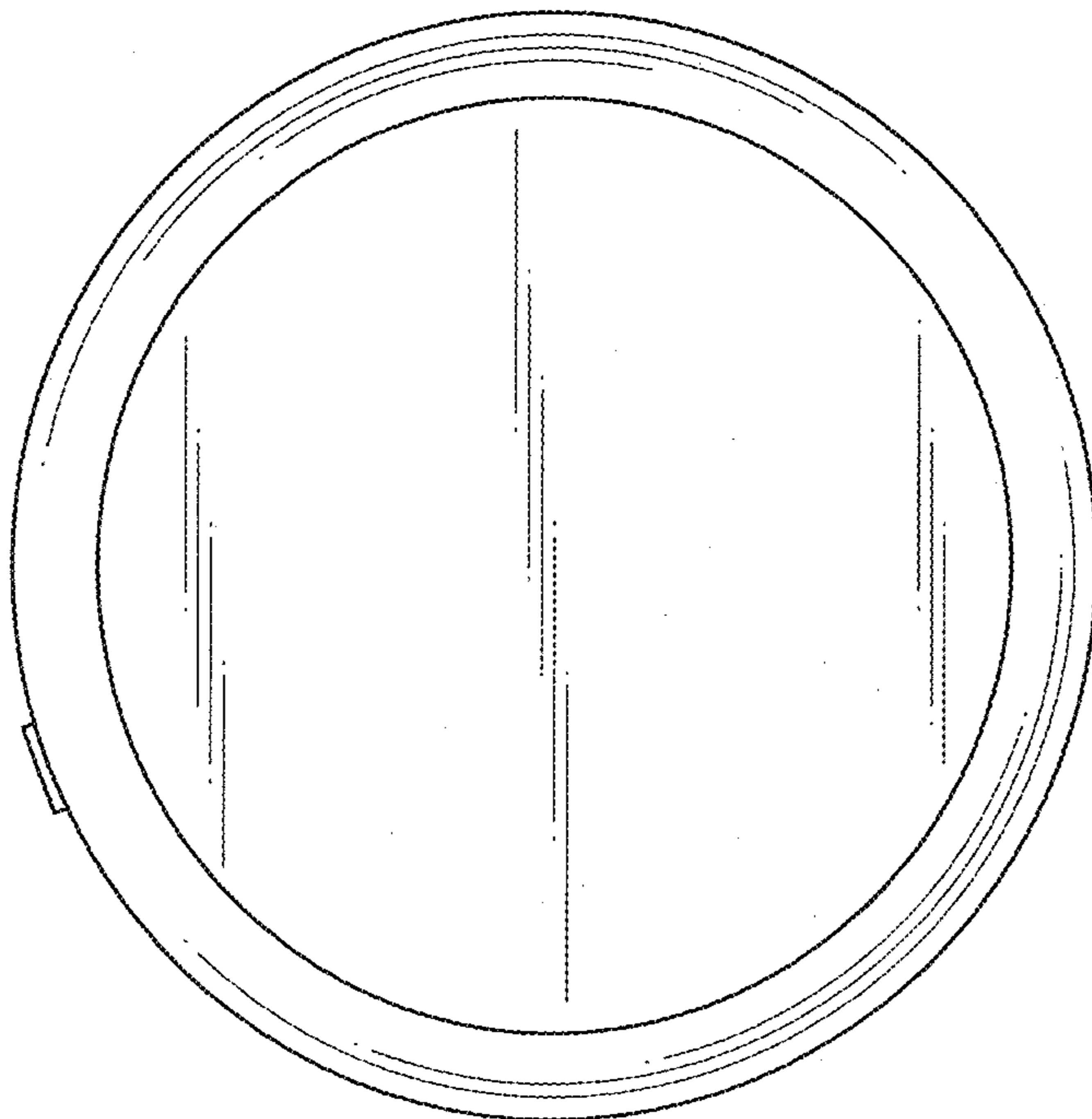


FIG.4

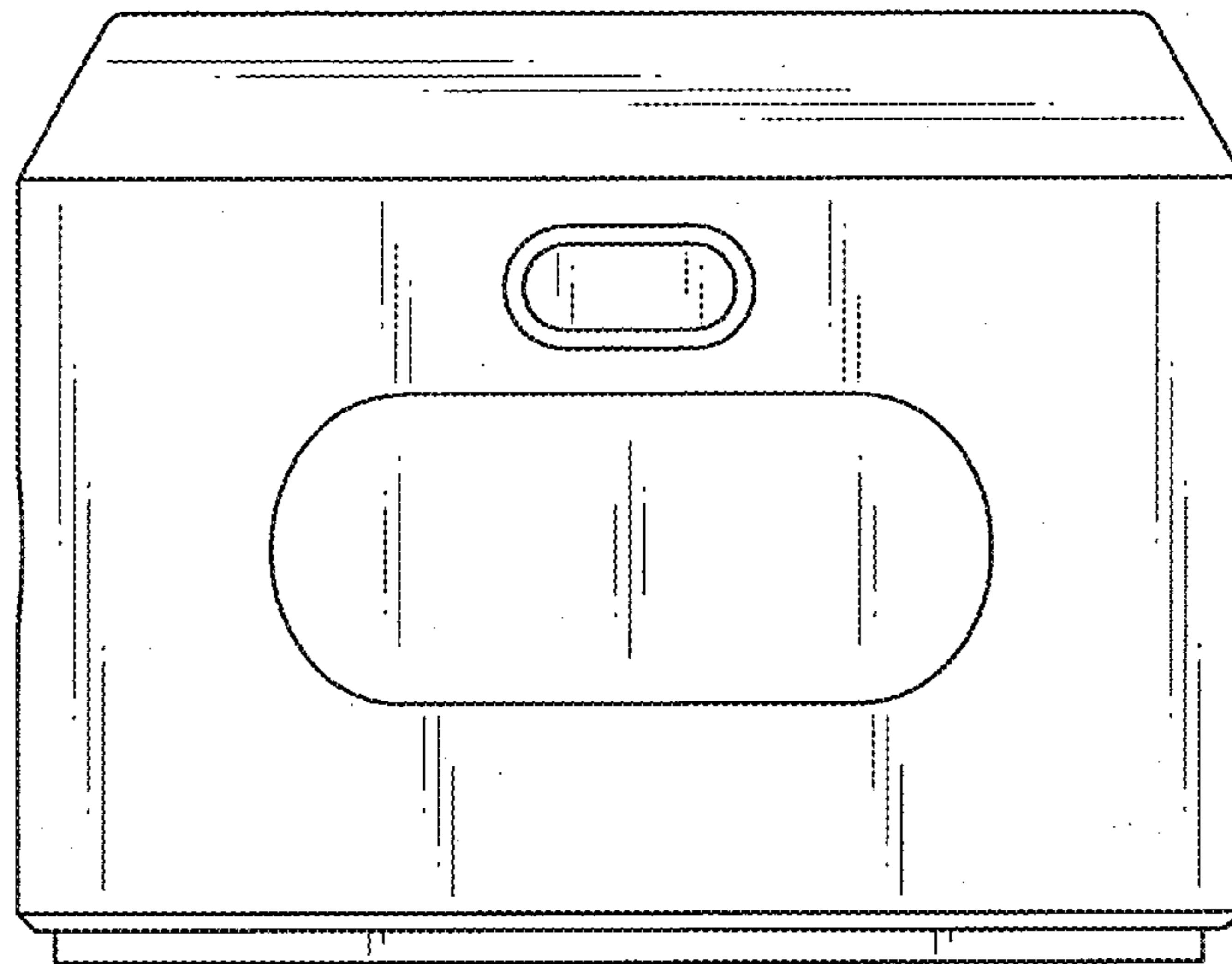


FIG.5

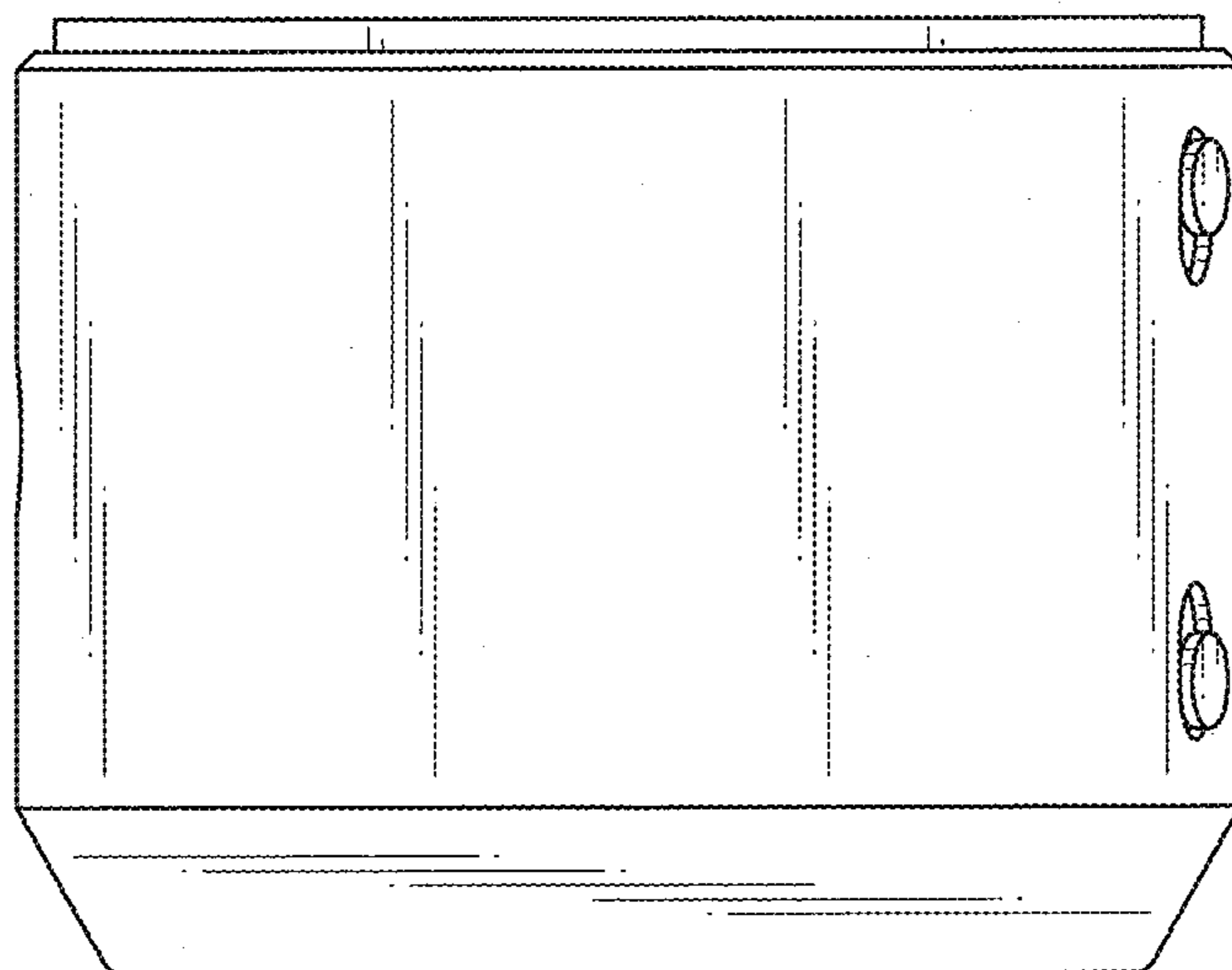


FIG.6

FIG.7

