



US00D751130S

(12) **United States Design Patent**
Burton

(10) **Patent No.:** **US D751,130 S**
(45) **Date of Patent:** **** Mar. 8, 2016**

(54) **CAMERA MOUNTED ON A PACIFIER**

(71) Applicant: **HYDEKKG, LLC**, Oxford, MS (US)

(72) Inventor: **Scott Jerald Burton**, Oxford, MS (US)

(73) Assignee: **Hydekg, LLC**, Oxford, MS (US)

(**) Term: **14 Years**

(21) Appl. No.: **29/518,330**

(22) Filed: **Feb. 23, 2015**

(51) **LOC (10) Cl.** **16-01**

(52) **U.S. Cl.**

USPC **D16/208**; D24/194

(58) **Field of Classification Search**

USPC D16/200, 202–206, 208, 218, 219, 242;
D21/514; D24/115, 117, 193–196,
D24/199, 200, 211, 214; 24/3.1, 3.4, 3.13,
24/301; 606/234–236; 348/373–376;
396/535, 539–541

CPC G03B 15/03; G03B 17/02; G03B 17/04;
G03B 17/56; G03B 19/04; H04N 5/2251;
H04N 5/2252; H04N 5/2253; H04N 5/2254;
H04N 2101/00

See application file for complete search history.

(56) **References Cited**

U.S. PATENT DOCUMENTS

4,554,919 A * 11/1985 Hubert A61J 17/00
606/234
D471,927 S * 3/2003 Kim D14/240
D476,085 S * 6/2003 Dumont D24/194

6,776,157 B2 * 8/2004 Williams A61B 1/00154
128/200.26
D593,203 S * 5/2009 Kliegman D24/194
D610,691 S * 2/2010 Benedetto D24/194
RE43,730 E * 10/2012 Pils D24/194
D679,406 S * 4/2013 Del Solar D24/194
D686,331 S * 7/2013 Dussere D24/194
D690,427 S * 9/2013 Granillo D24/194
D732,675 S * 6/2015 Granillo D24/194
D740,341 S * 10/2015 Wada D16/203
2012/0203277 A1 * 8/2012 Forestieri A61J 17/02
606/235

* cited by examiner

Primary Examiner — Adir Aronovich

Assistant Examiner — Ramzi Almatrahi

(74) *Attorney, Agent, or Firm* — Harris, Shelton, Hanover & Walsh; Susan B. Fentress

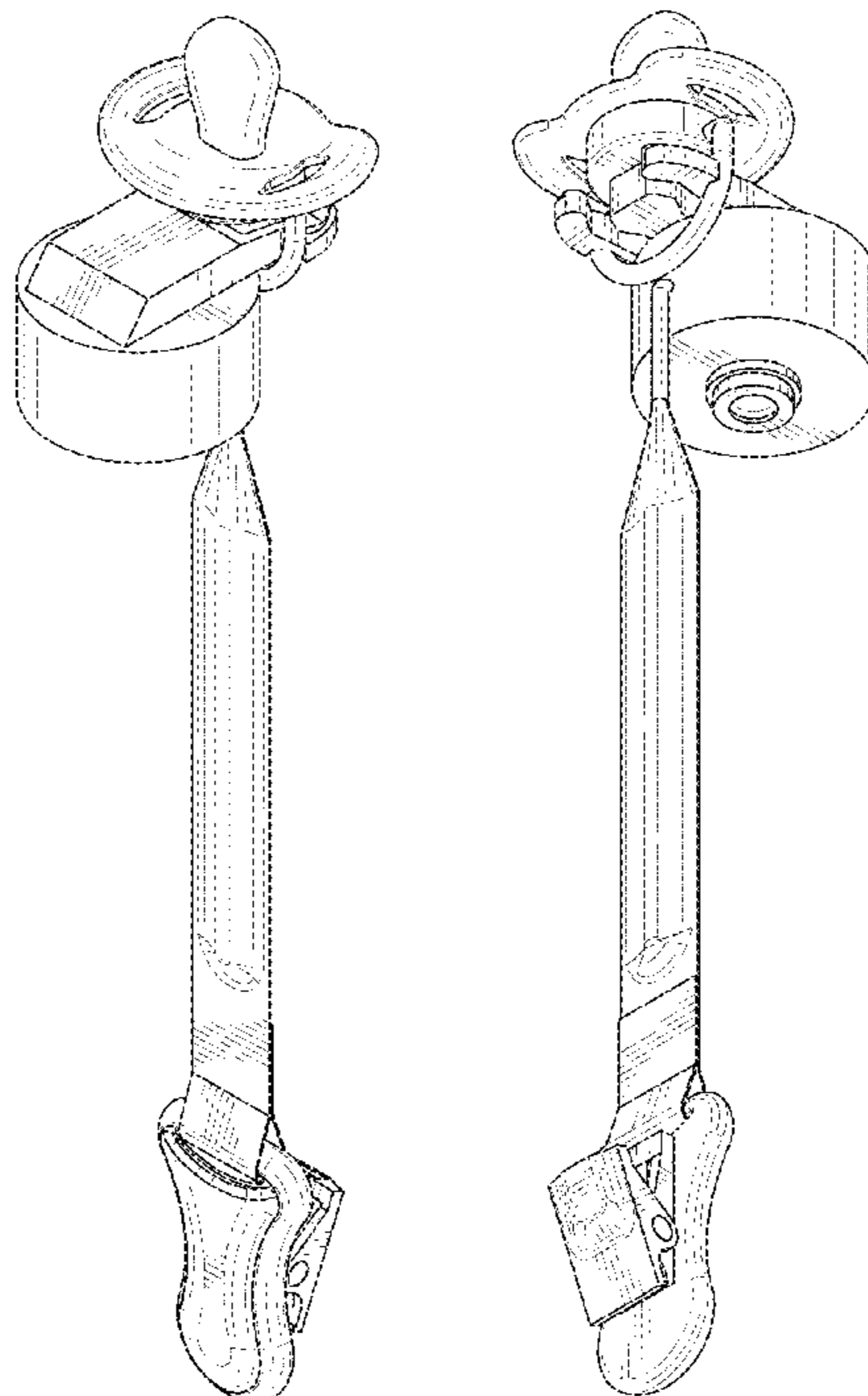
(57) **CLAIM**

The ornamental design for a camera mounted on a pacifier, as shown and described.

DESCRIPTION

FIG. 1 is a top, front and right side isometric view of a camera mounted on a pacifier showing my new design;
FIG. 2 is a bottom, rear and left side isometric view thereof;
FIG. 3 is a front elevation view thereof;
FIG. 4 is a right side elevation view thereof, the undisclosed left side elevation view being a mirror image thereof;
FIG. 5 is a rear elevation view thereof;
FIG. 6 is a top plan view thereof; and,
FIG. 7 is a bottom plan view thereof.

1 Claim, 3 Drawing Sheets



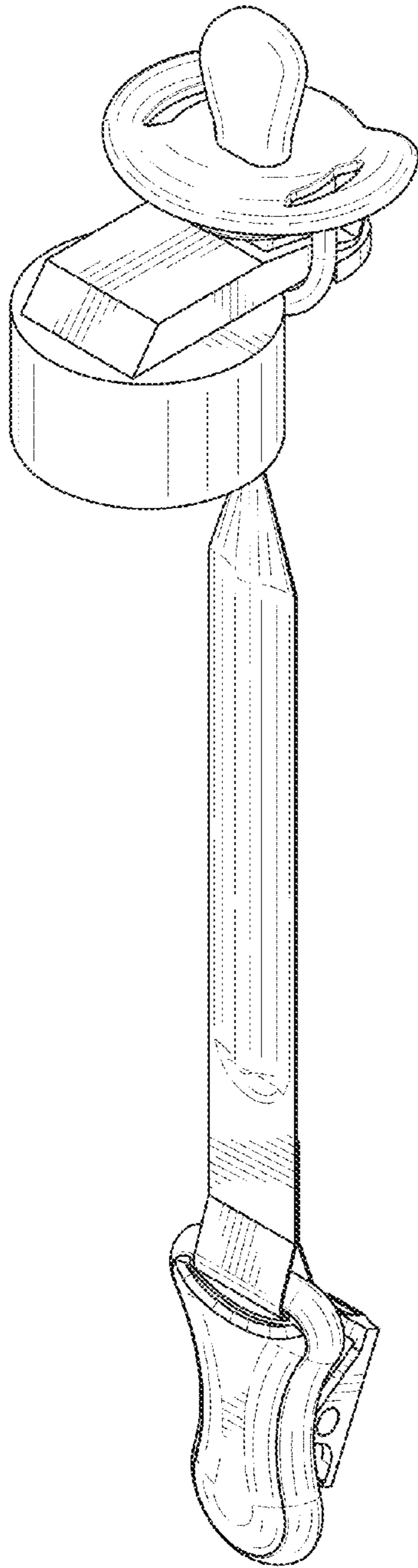


FIG. 1

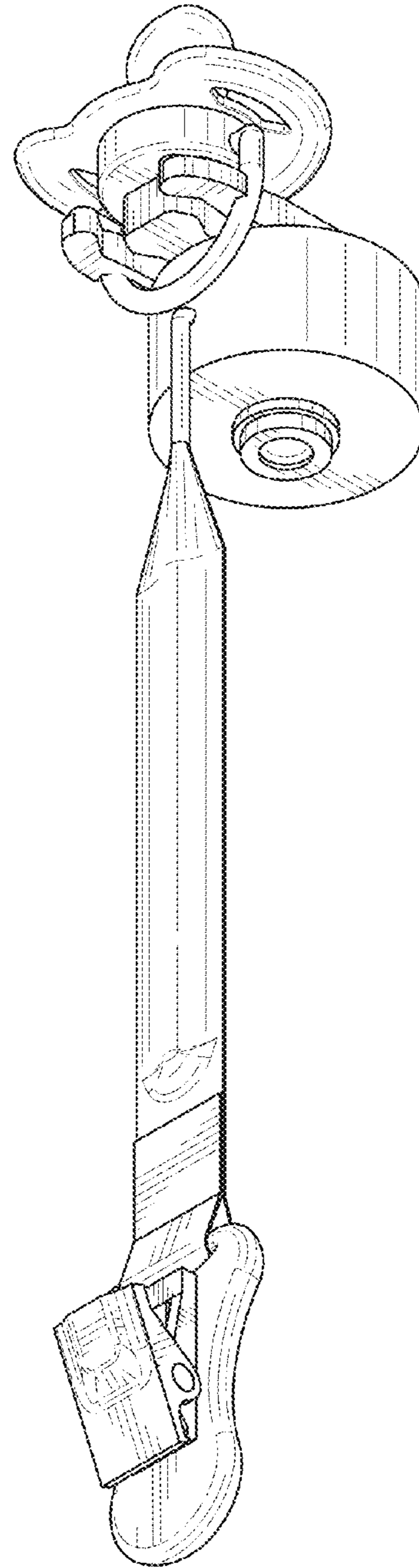


FIG. 2

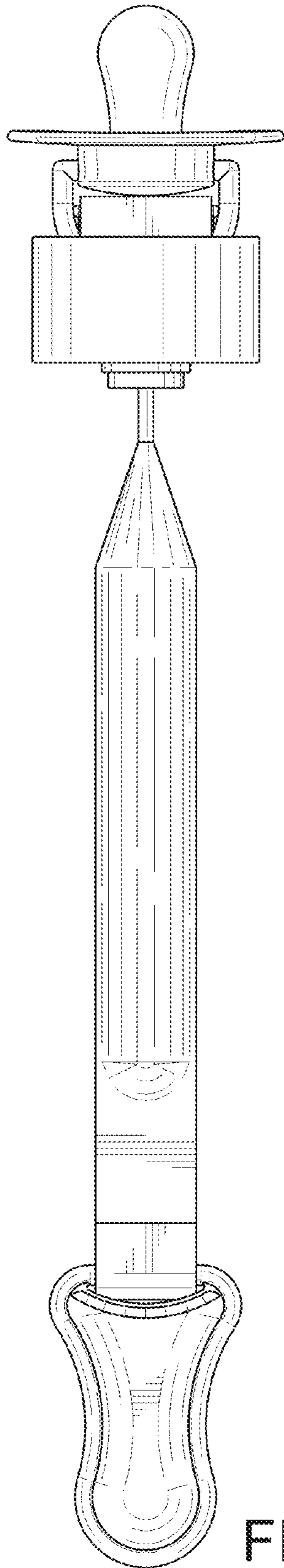


FIG. 3

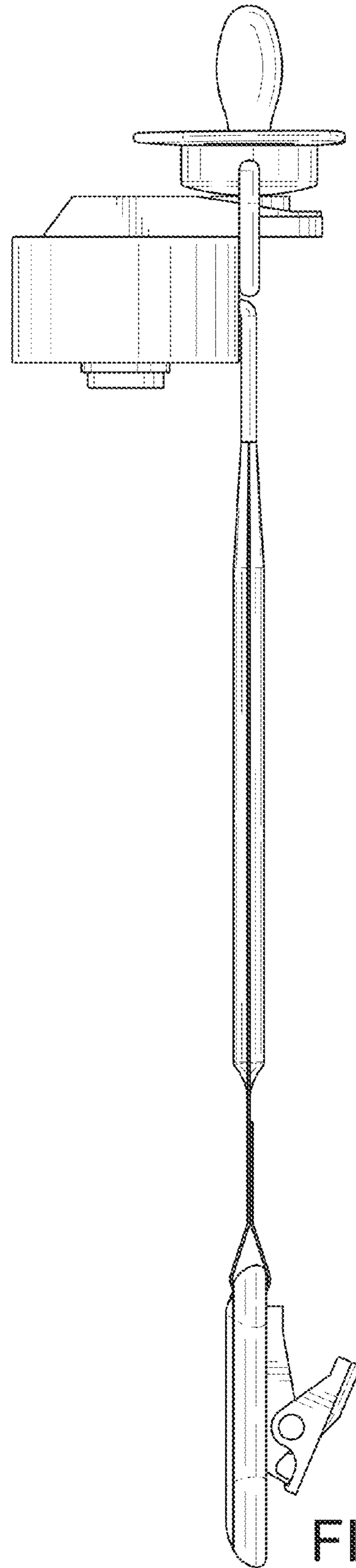


FIG. 4

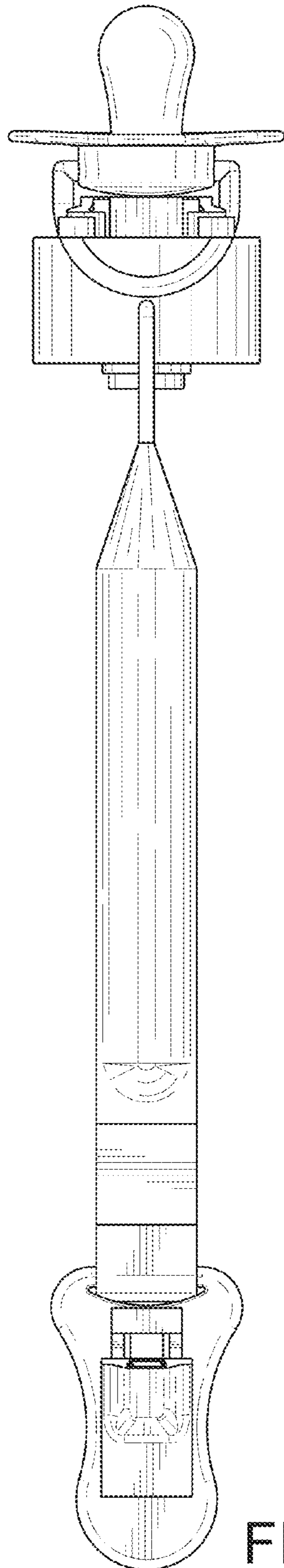


FIG. 5

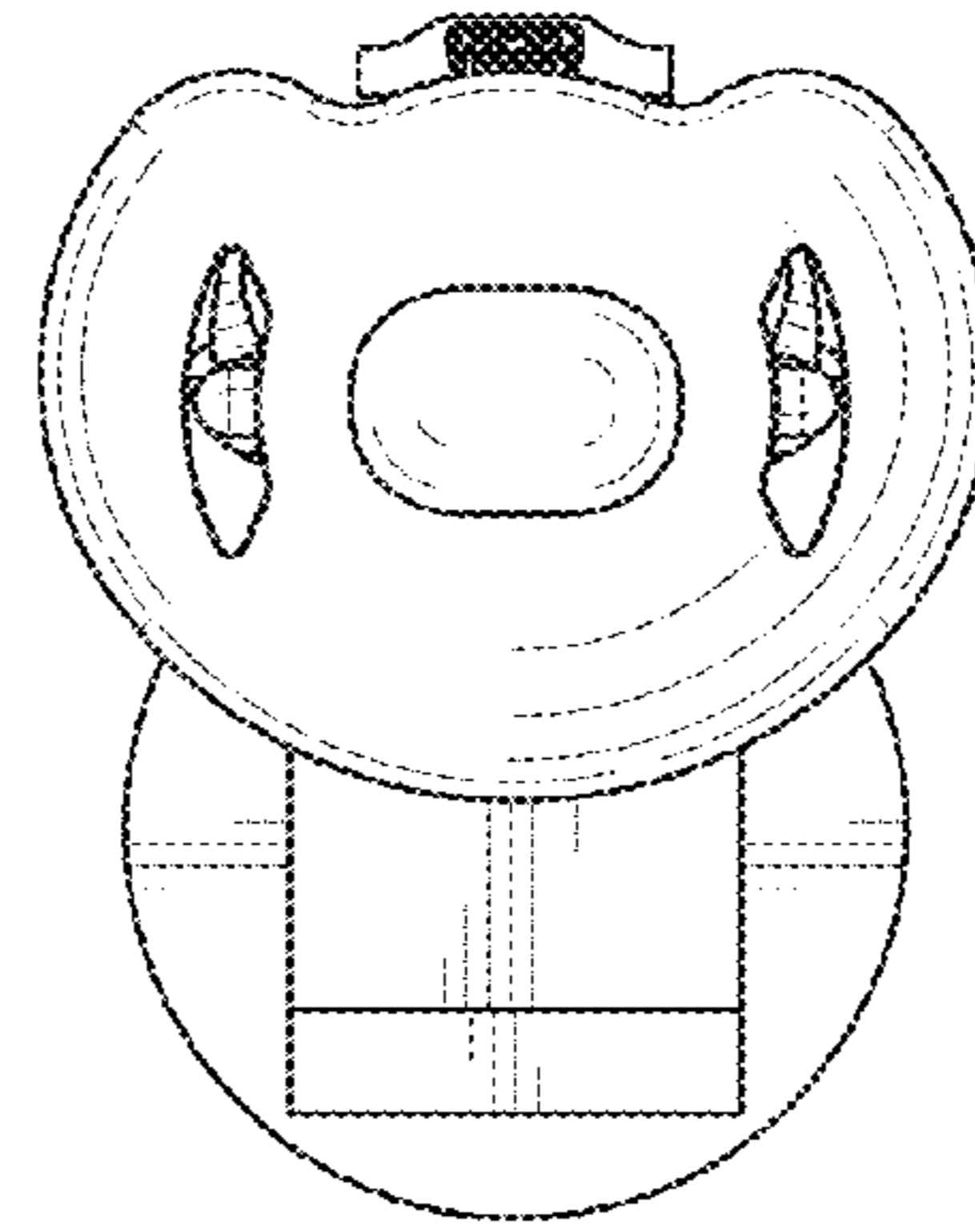


FIG. 6

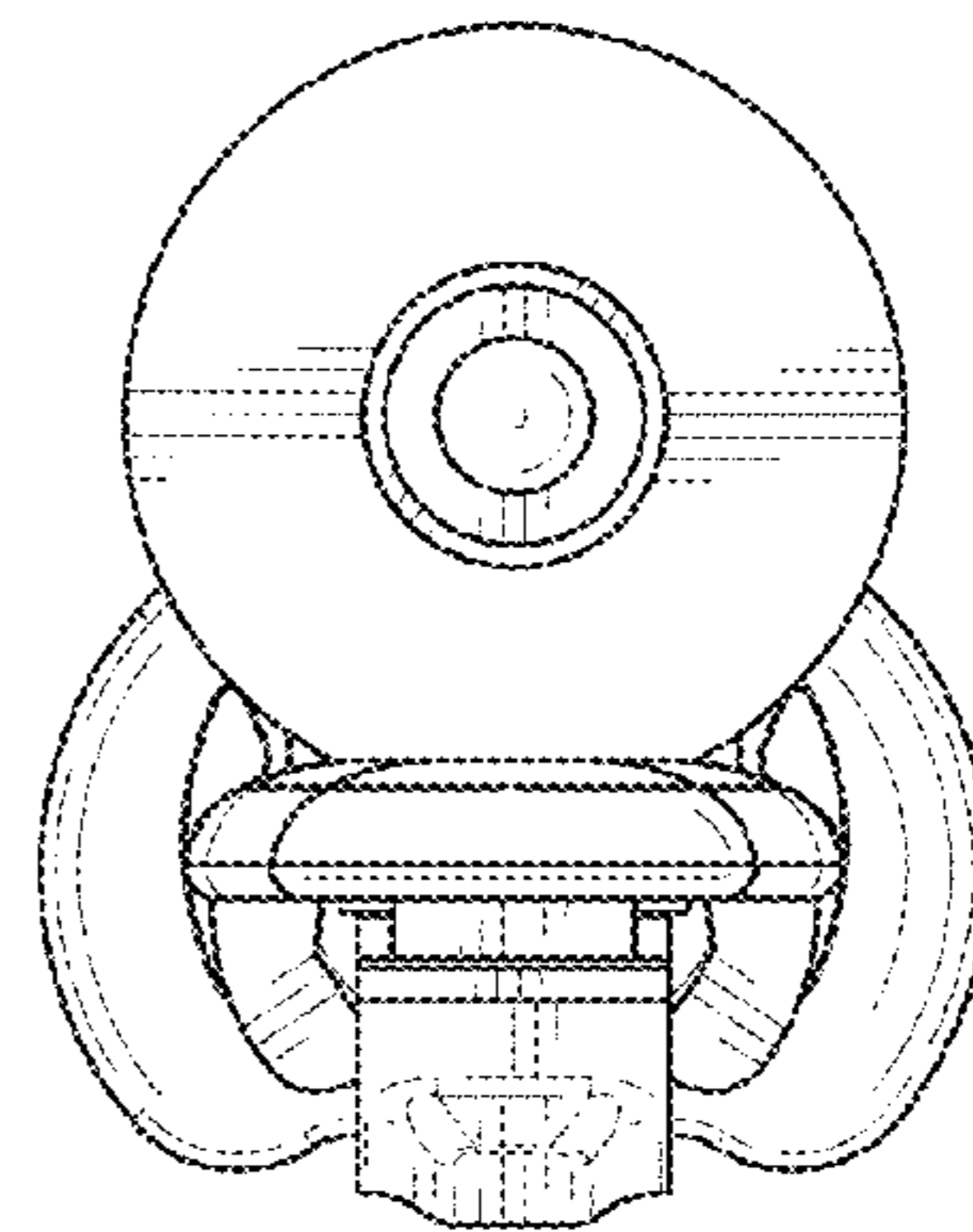


FIG. 7