



US00D751129S

(12) **United States Design Patent**
Lellky et al.

(10) **Patent No.:** **US D751,129 S**
(45) **Date of Patent:** **** Mar. 8, 2016**

(54) **MONITORING CAMERA**

(71) Applicant: **AXIS AB**, Lund (SE)

(72) Inventors: **Jonas Lellky**, Veberod (SE); **Morten Bergstrom**, Bjarred (SE); **Daniel Ahman**, Lomma (SE)

(73) Assignee: **AXIS AB**, Lund (SE)

(**) Term: **14 Years**

(21) Appl. No.: **29/511,631**

(22) Filed: **Dec. 12, 2014**

(30) **Foreign Application Priority Data**

Jun. 13, 2014 (WO) 002482281-0002

(51) **LOC (10) Cl.** **16-01**

(52) **U.S. Cl.**
USPC **D16/203**

(58) **Field of Classification Search**
USPC D16/200, 202-206, 218, 219, 242;
348/143, 148, 151, 373-376; 396/419,
396/427, 535, 539-541
CPC G03B 17/02; G03B 19/04; G03B 17/56;
G03B 17/04; G03B 15/03; H04N 5/2251;
H04N 5/2252; H04N 5/2253; H04N 5/2254;
H04N 7/181; H04N 7/183; H04N 7/18;
G08B 13/1963; G08B 13/19619; G08B
13/19632; F16M 11/04; F16M 13/00
See application file for complete search history.

(56) **References Cited**

U.S. PATENT DOCUMENTS

3,732,368 A * 5/1973 Mahlab G08B 13/19632
348/151
D282,068 S * 1/1986 Claggett D14/239
D450,075 S * 11/2001 Uehara D16/202
D455,166 S * 4/2002 Raad D10/104.1

D561,220 S * 2/2008 Alm D16/203
D606,105 S * 12/2009 Hinkel D16/203
D643,455 S * 8/2011 Raa et al.
D677,297 S * 3/2013 Bart D16/203
D689,536 S * 9/2013 Li D16/203
D694,305 S * 11/2013 Katori D16/203
D694,306 S * 11/2013 Katori D16/203
D719,994 S * 12/2014 Wang D16/203
D729,859 S * 5/2015 Shin D16/203
D729,861 S * 5/2015 Huang D16/203

FOREIGN PATENT DOCUMENTS

TW D122079 3/2008
TW D138370 12/2010

OTHER PUBLICATIONS

Bosch Flexidome IP Corner 9000 MP, Jan. 9, 2014.
(Continued)

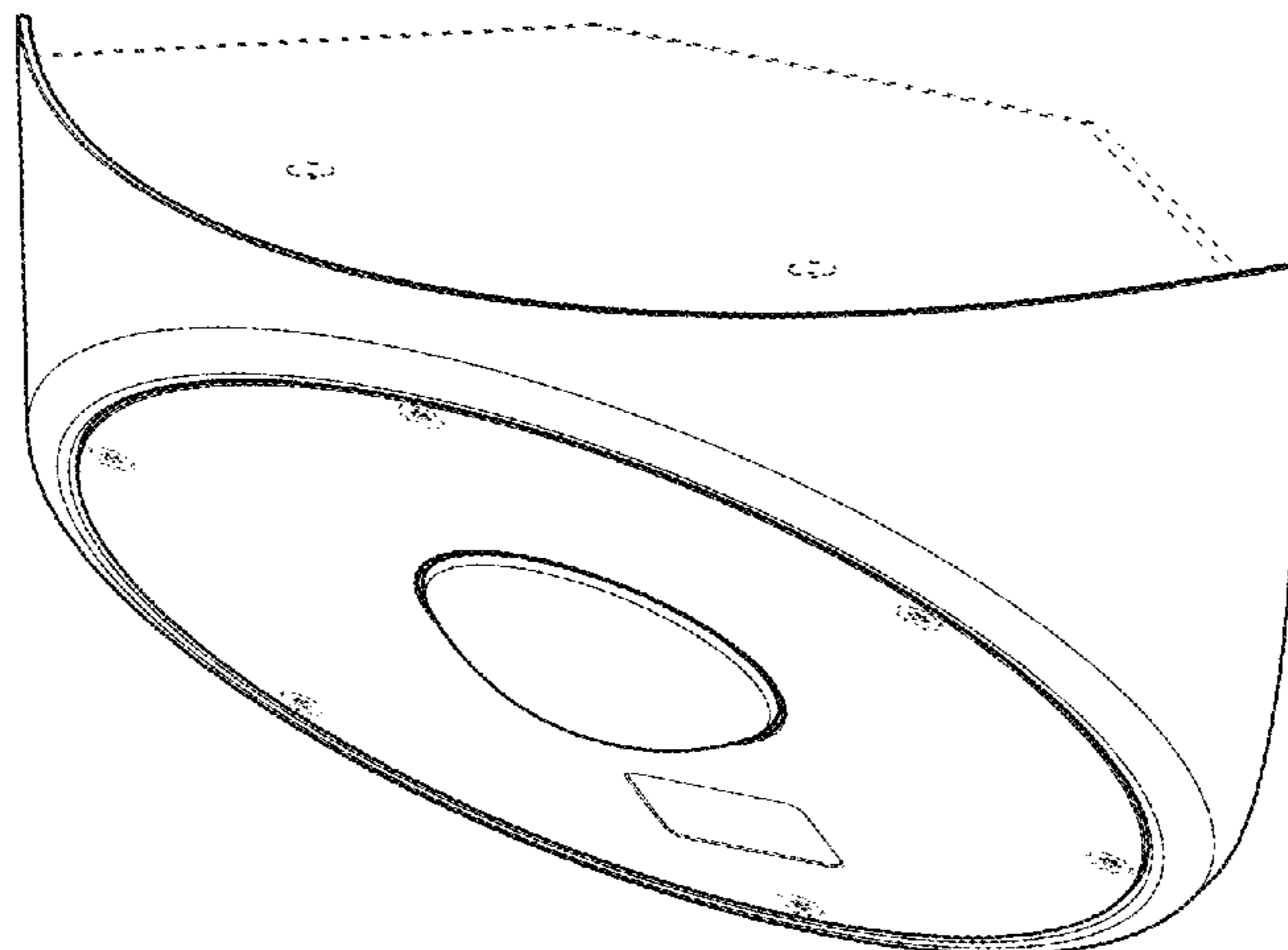
Primary Examiner — Adir Aronovich
Assistant Examiner — Ramzi Almatrahi
(74) *Attorney, Agent, or Firm* — Volpe and Koenig, P.C.

(57) **CLAIM**
The ornamental design for a monitoring camera, as shown and described.

DESCRIPTION

FIG. 1 is a top, front and right side perspective view of a monitoring camera showing our new design;
FIG. 2 is a front elevational view thereof;
FIG. 3 is a bottom plan view thereof;
FIG. 4 is a right side elevational view thereof;
FIG. 5 is a left side elevational view thereof;
FIG. 6 is a rear elevational view thereof; and,
FIG. 7 is a top plan view thereof.
The broken lines depict portions of a monitoring camera in which the design is embodied and form no part of the claimed design.

1 Claim, 4 Drawing Sheets



(56)

References Cited

OTHER PUBLICATIONS

Aventura 600 TVL, DWDE Elevator Corner Camera, known prior to Jan. 1, 2013.

Bosch EX36, May 13, 2014.

SpySonic Corner-Mount 1/3" Sony CCD 4mm Lens, May 13, 2014.

EyeSpyPro Videolarm W6S 50NF Stainless Steel Corner Mount Video Surveillance Camera, May 13, 2014.

Dsc Technology, 1/3" Sony EX-View CCD, 700 TVL Corner Hidden Camera, May 13, 2014.

SpySonic, Infrared Camera—Color “Corner” 20IR LED, May 13, 2014.

* cited by examiner

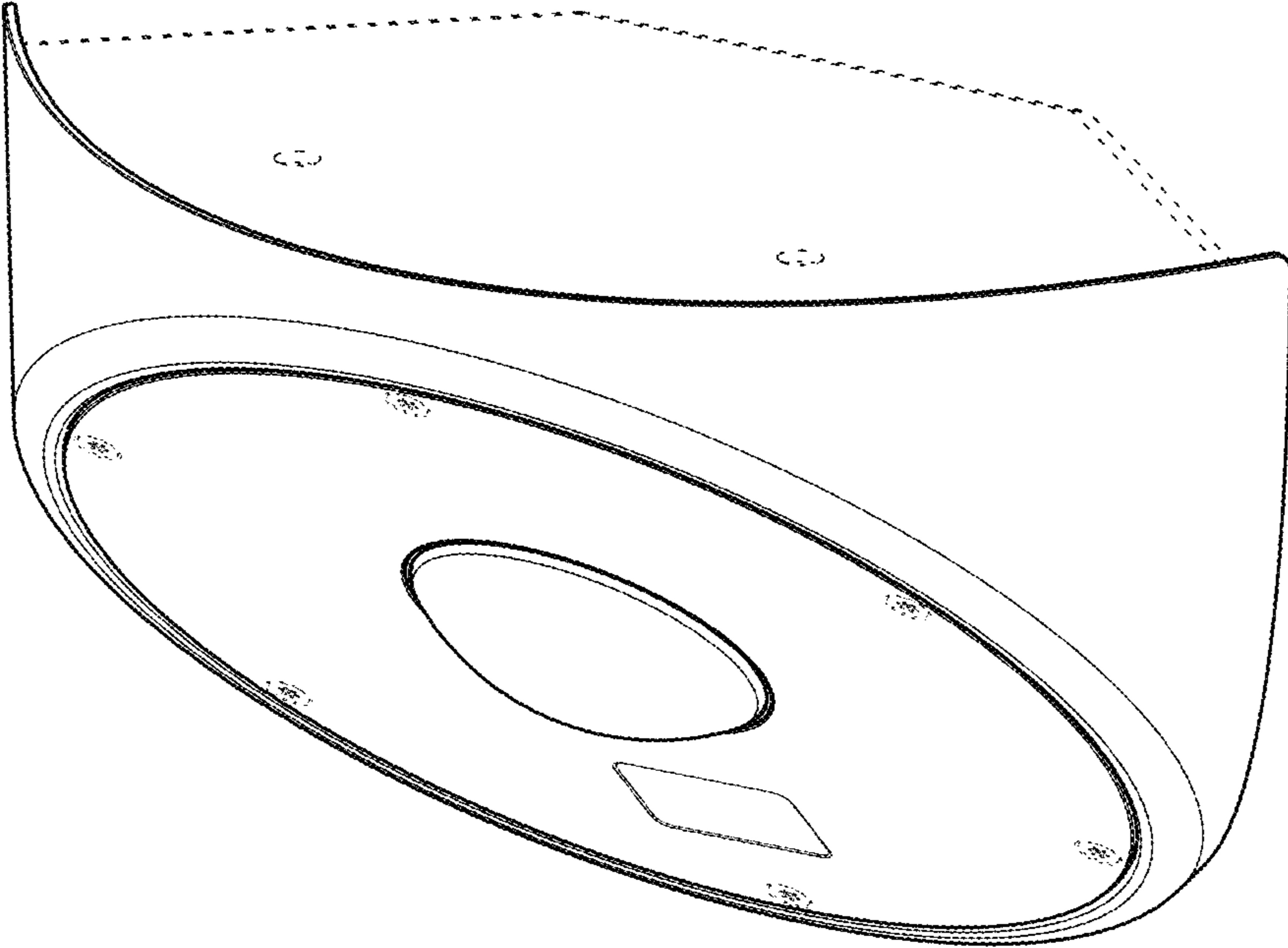


Figure 1

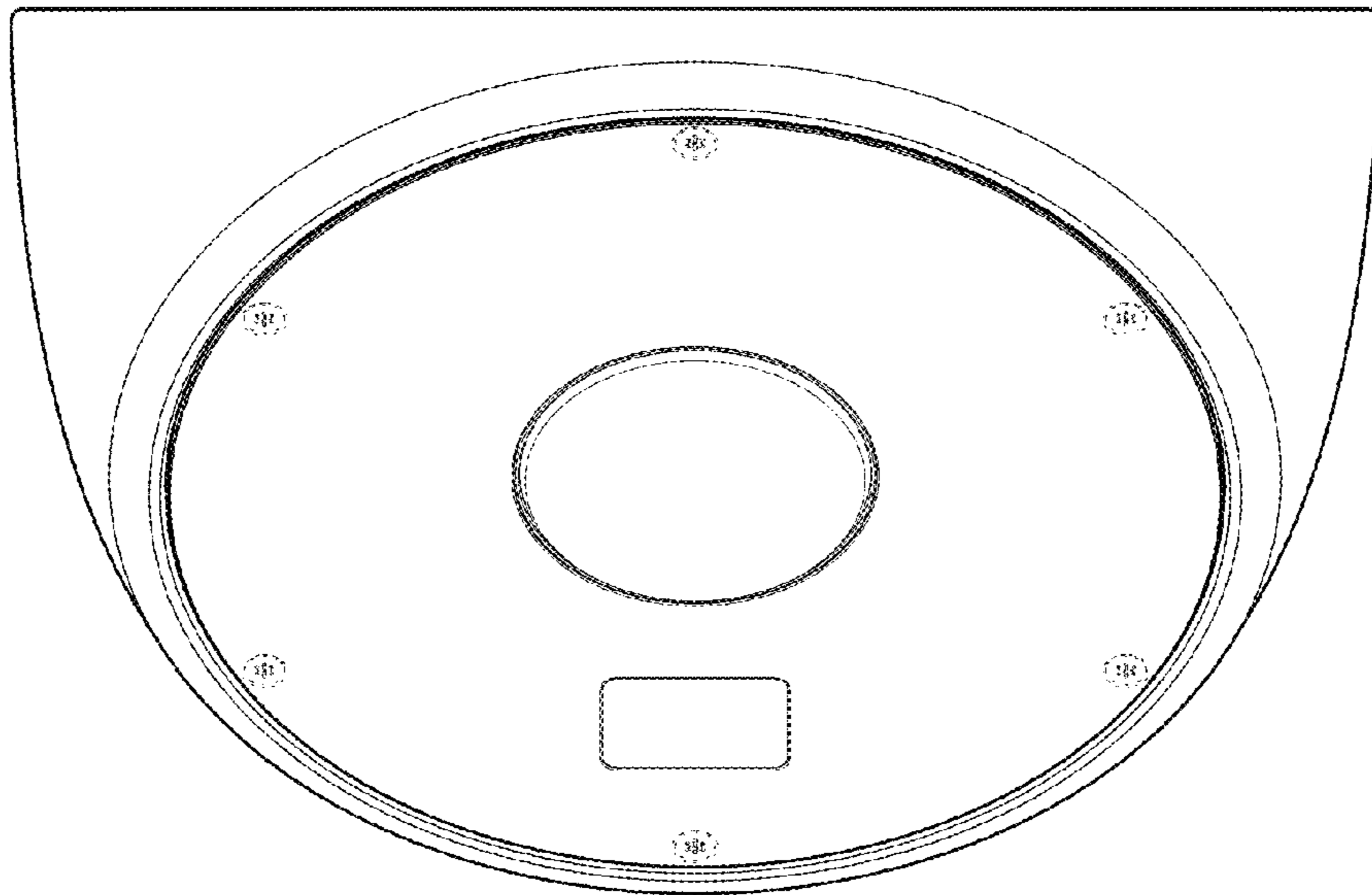


Figure 2

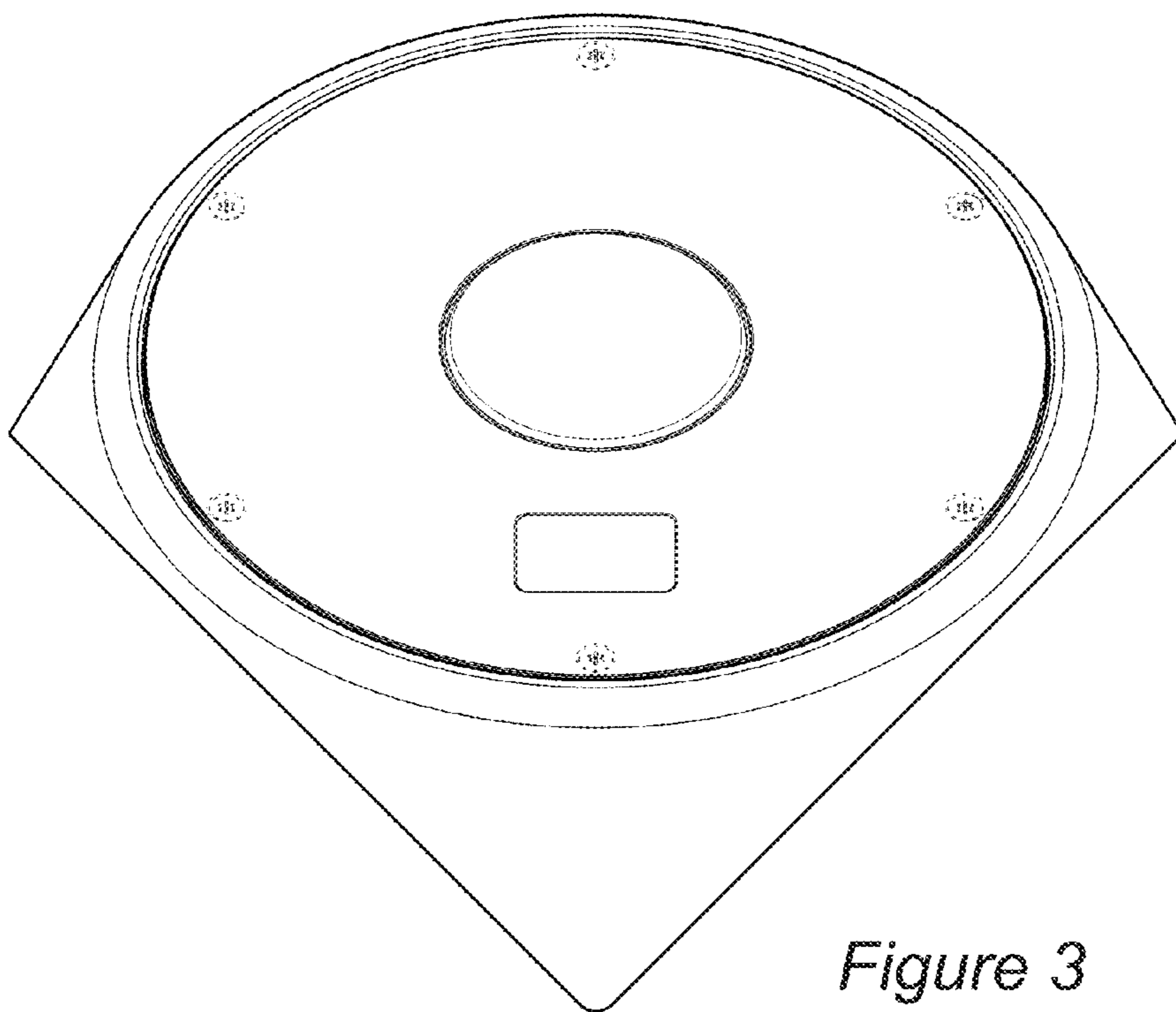


Figure 3

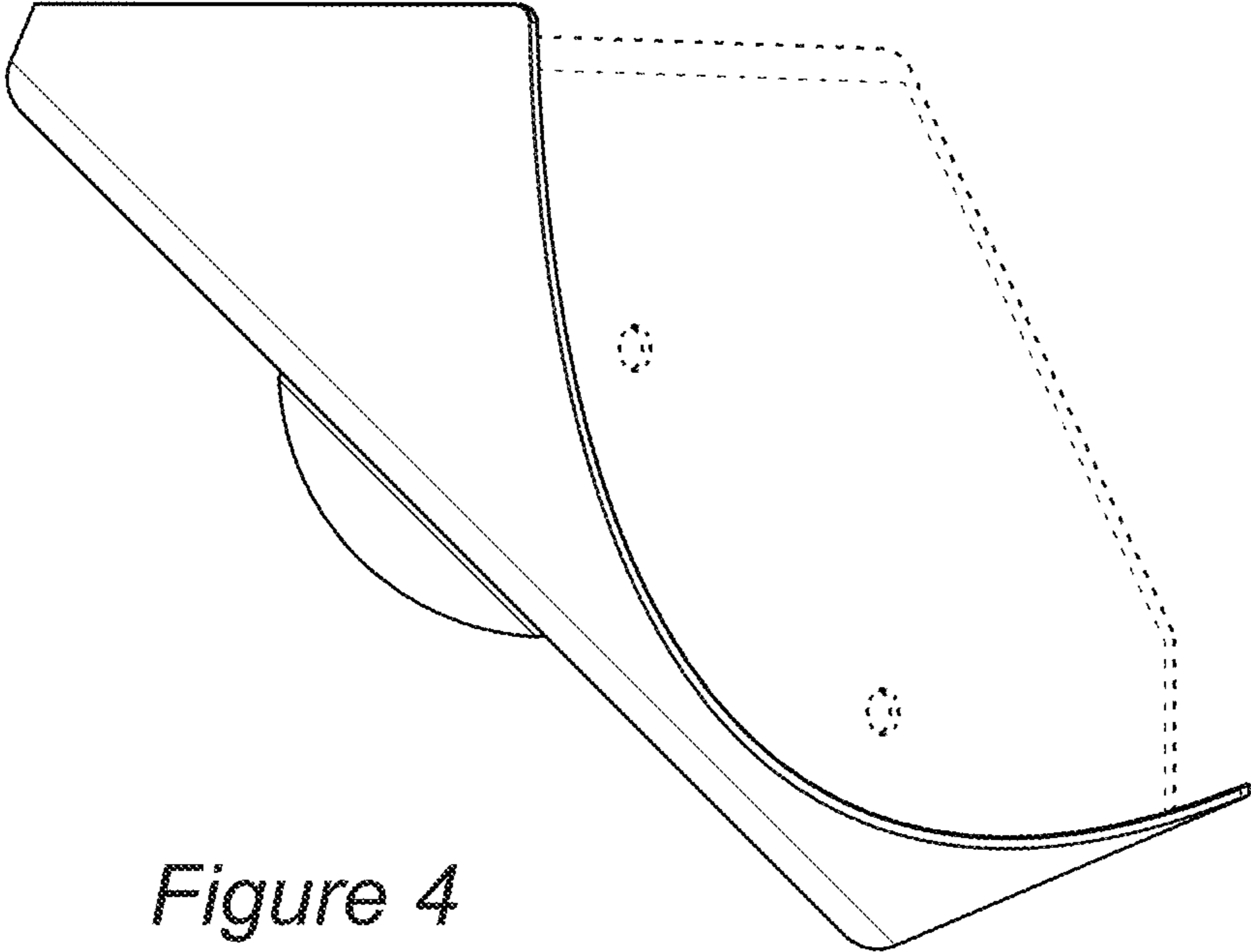


Figure 4

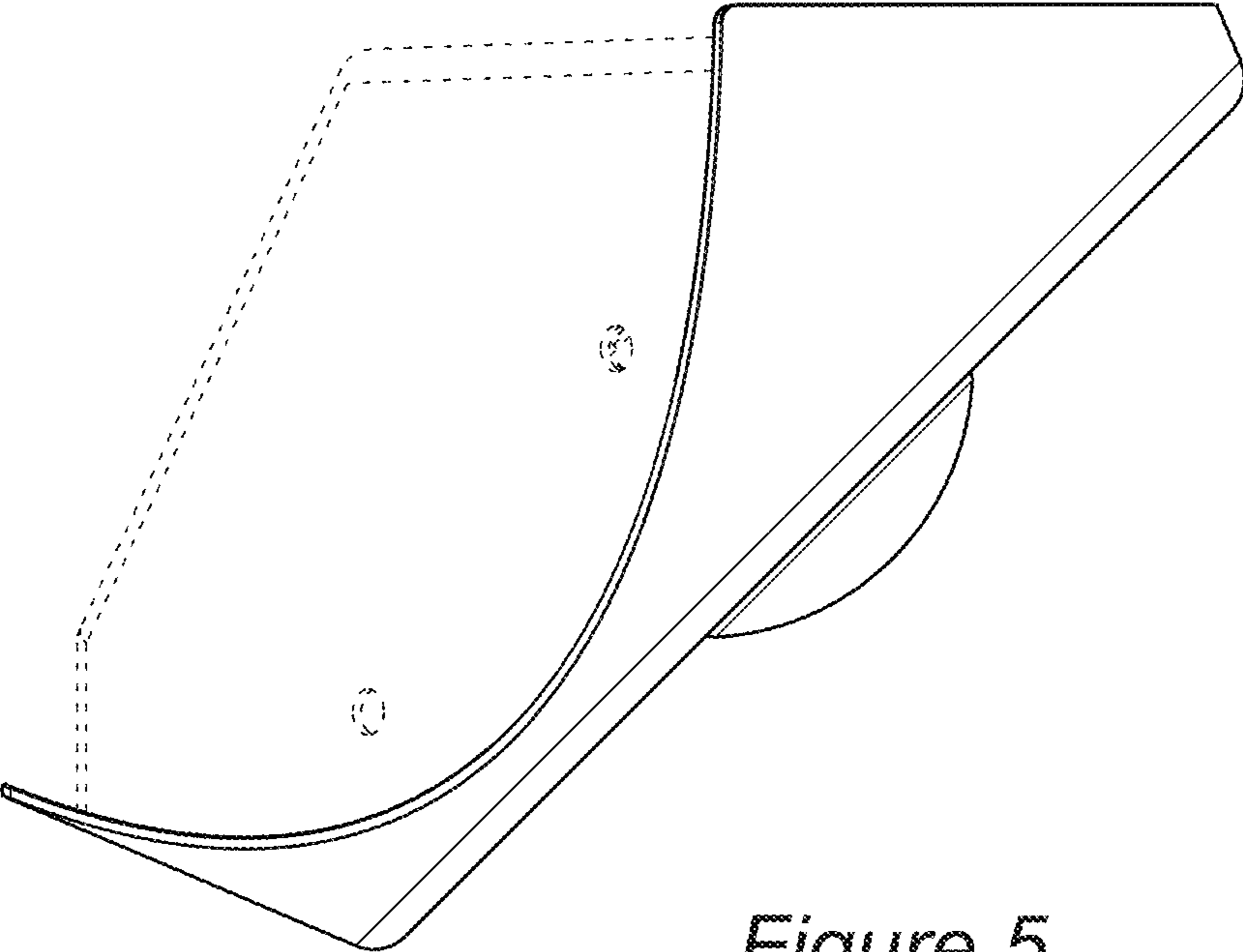


Figure 5

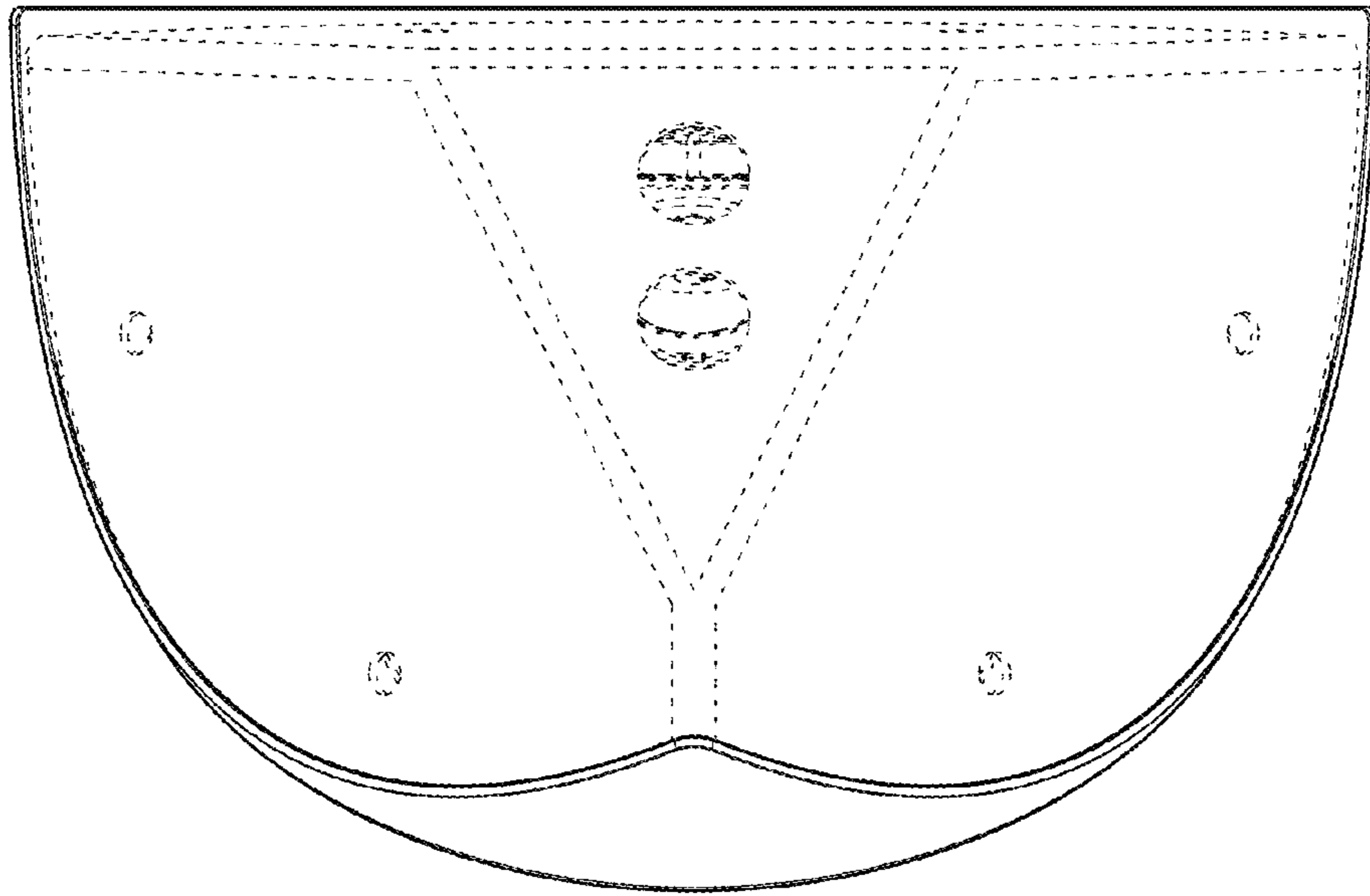


Figure 6

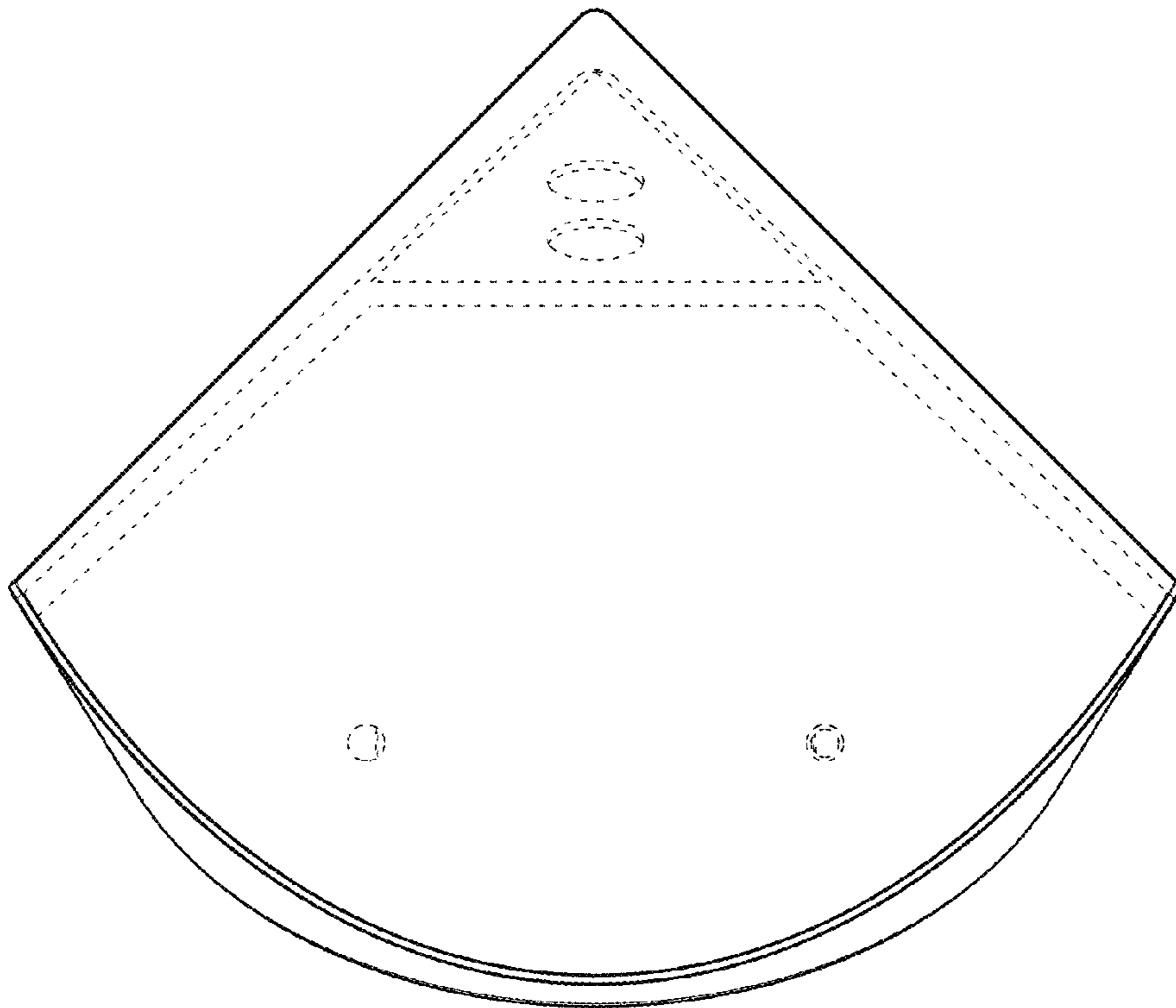


Figure 7