



US00D751127S

(12) **United States Design Patent**
Erickson

(10) **Patent No.:** **US D751,127 S**
(45) **Date of Patent:** **** Mar. 8, 2016**

- (54) **CHILLER**
- (71) Applicant: **INNOVATIVE CAPITAL PARTNERS**,
East Longmeadow, MA (US)
- (72) Inventor: **Jamie Erickson**, East Longmeadow, MA
(US)
- (73) Assignee: **Innovative Capital Partners**, East
Longmeadow, MA (US)
- (**) Term: **14 Years**
- (21) Appl. No.: **29/497,145**
- (22) Filed: **Jul. 21, 2014**
- (51) **LOC (10) Cl.** **15-07**
- (52) **U.S. Cl.**
USPC **D15/90**
- (58) **Field of Classification Search**
USPC D7/603, 605, 619.1, 62; D15/90;
62/457.1-457.9, 371, 372, 530, 1,
62/3.6-3.64; 220/23.4, 751-756;
248/213.2, 311.2
CPC B65D 81/3883; B65D 67/02; F25D 3/08;
A45F 3/16; A47G 19/22; A01G 9/022
See application file for complete search history.

4,751,119 A	6/1988	Yukawa	
4,811,858 A	3/1989	Augur	
4,831,842 A	5/1989	Kelley et al.	
4,910,977 A	3/1990	Hilton	
4,917,076 A	4/1990	Nadolph et al.	
5,129,238 A	7/1992	Schwartz et al.	
5,361,604 A	11/1994	Pier et al.	
D381,847 S *	8/1997	Shingles	D6/513
6,076,700 A *	6/2000	Manges	B65D 67/02 248/213.2
D473,572 S *	4/2003	Linberg	D15/90
6,584,800 B1 *	7/2003	Roth	A45F 3/16 62/457.3
2004/0065565 A1	4/2004	Buesching et al.	
2011/0084087 A1 *	4/2011	Scribner	A01G 9/022 220/751

* cited by examiner

Primary Examiner — Terry Wallace

(74) *Attorney, Agent, or Firm* — Grogan, Tuccillo & Vanderleeden, LLP

(57) **CLAIM**

The ornamental design for a chiller, as shown and described.

DESCRIPTION

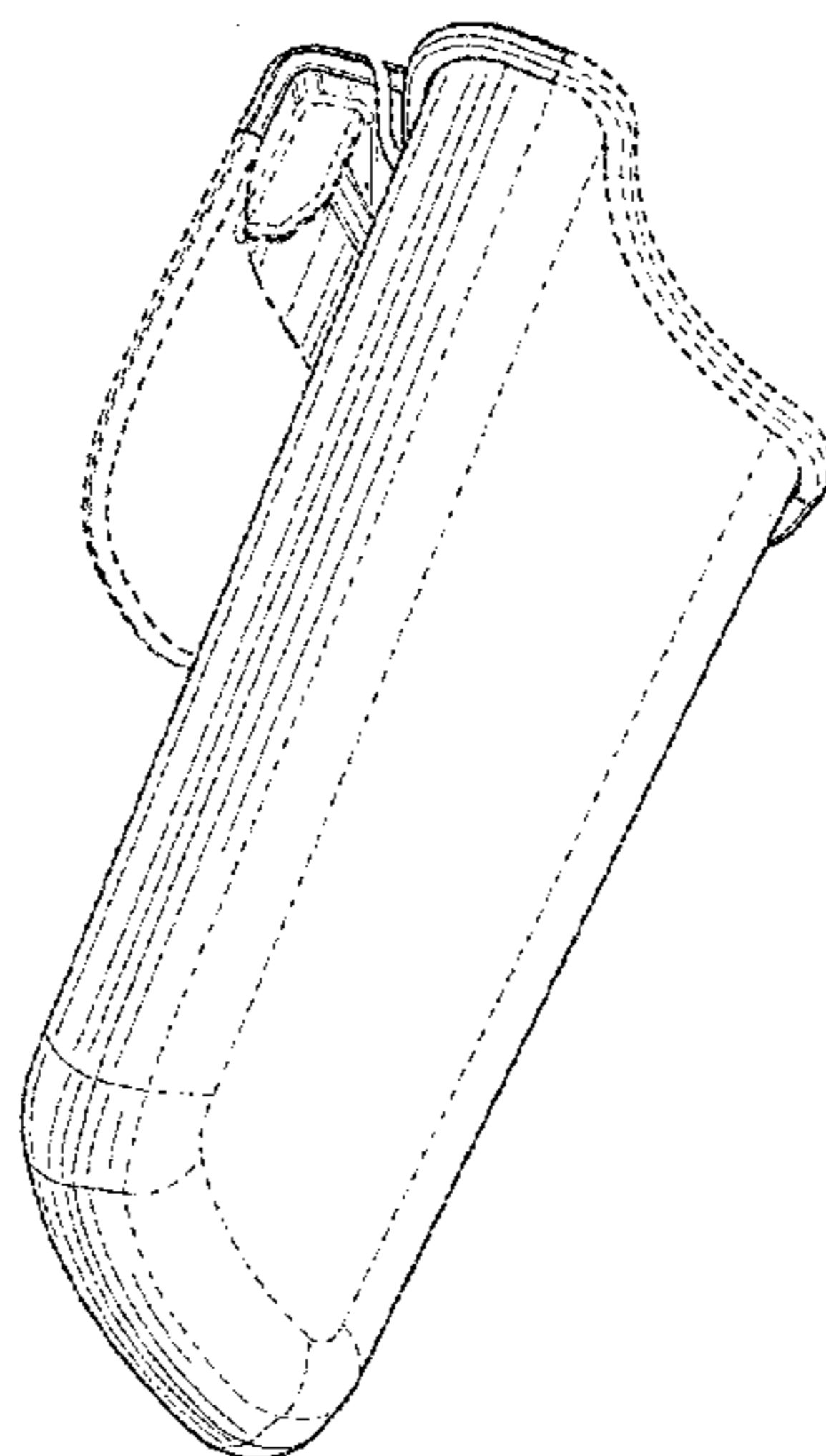
FIG. 1 is a bottom, front, right side perspective view of a chiller showing our new design;
 FIG. 2 is a front elevational view thereof;
 FIG. 3 is rear elevational view thereof;
 FIG. 4 is a left elevational view thereof;
 FIG. 5 is a right elevational view thereof;
 FIG. 6 is a top plan view thereof;
 FIG. 7 is a bottom plan view thereof; and,
 FIG. 8 is a rear elevational view of an embodiment thereof.
 The broken lines of FIGS. 1-8 represent unclaimed portions of the chiller and form no part of the claimed design. The dash-dot-dash broken lines of FIGS. 1-8 represent unclaimed portions of the chiller and form no part of the claimed design, and define boundaries of the claimed design.

1 Claim, 7 Drawing Sheets

(56) **References Cited**

U.S. PATENT DOCUMENTS

1,948,932 A *	2/1934	McMickle	A47G 19/22 220/575
3,302,247 A	2/1967	Stoner et al.	
3,365,911 A	1/1968	Stoner et al.	
4,163,374 A	8/1979	Moore et al.	
4,183,226 A	1/1980	Moore	
4,383,422 A	5/1983	Gordon et al.	
4,399,668 A	8/1983	Williamson	
4,554,189 A	11/1985	Marshall	
4,638,645 A	1/1987	Simila	



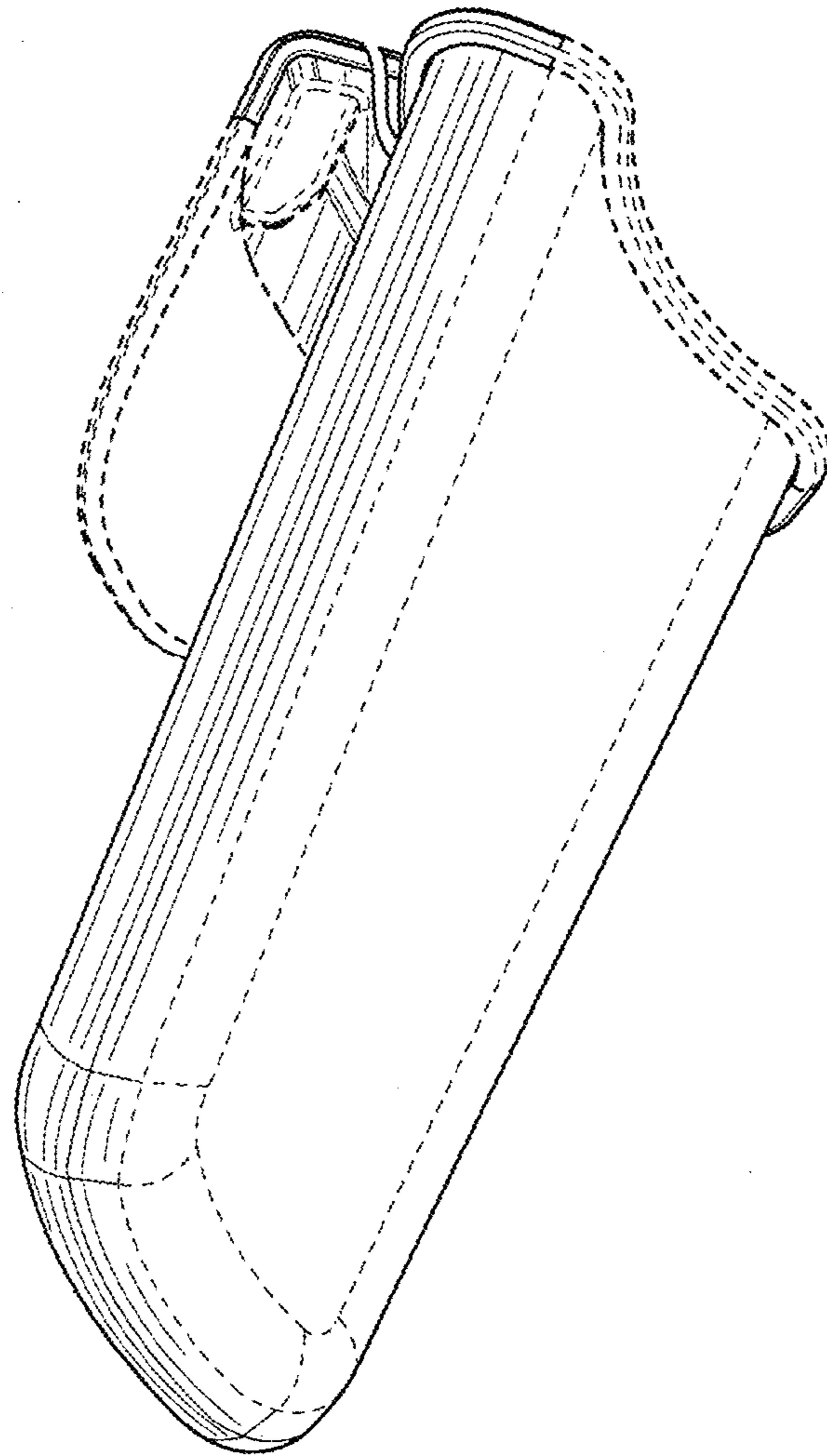


FIG. 1

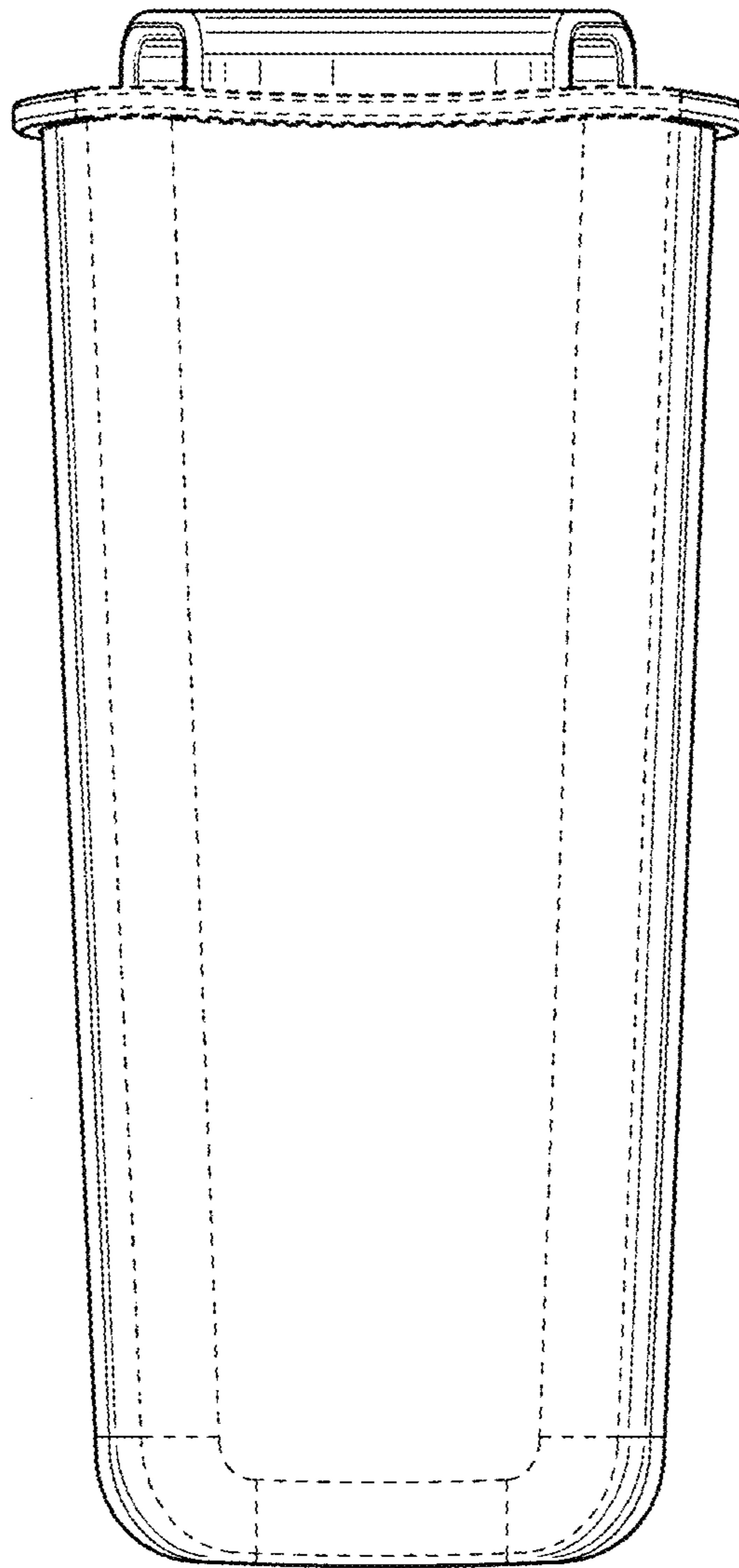


FIG. 2

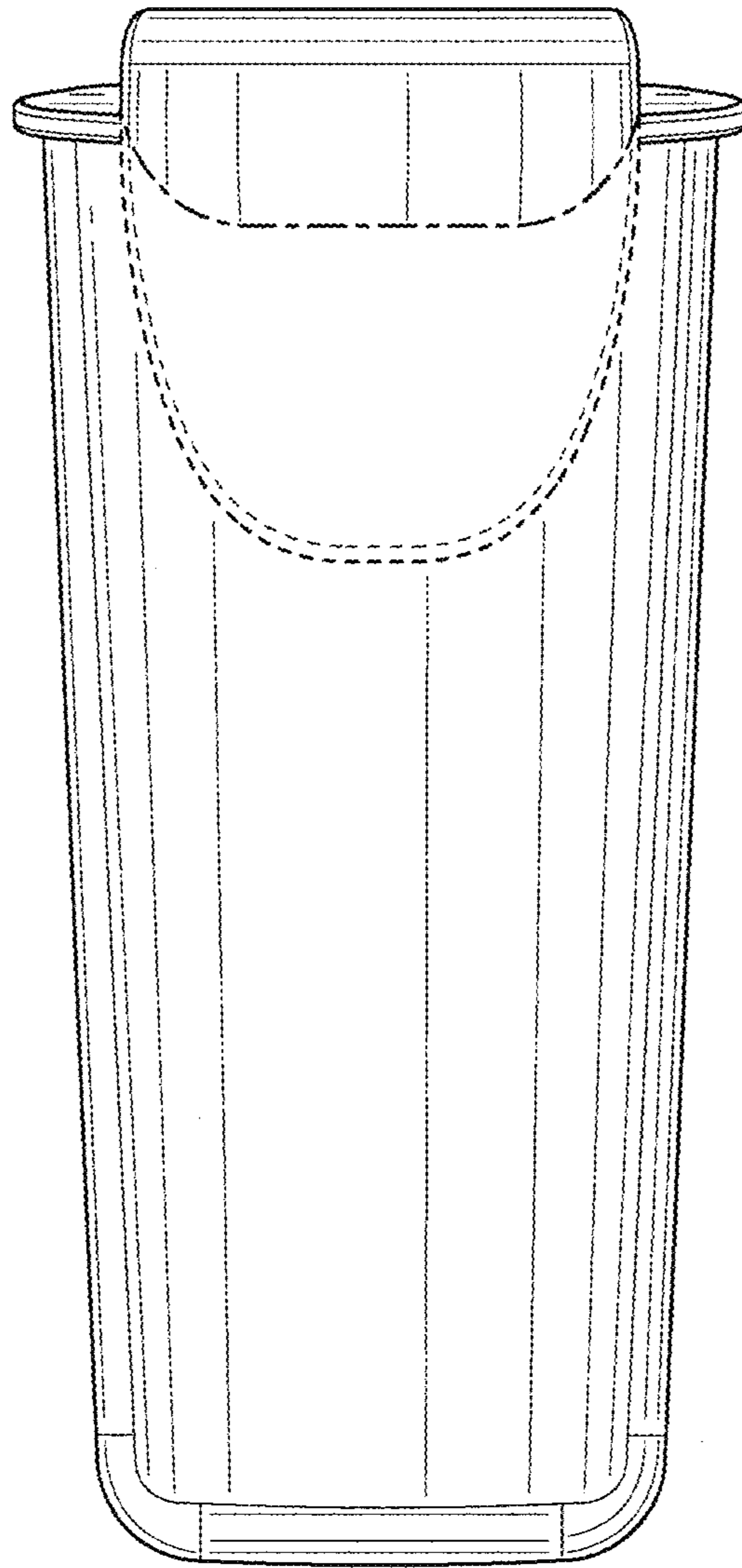


FIG. 3

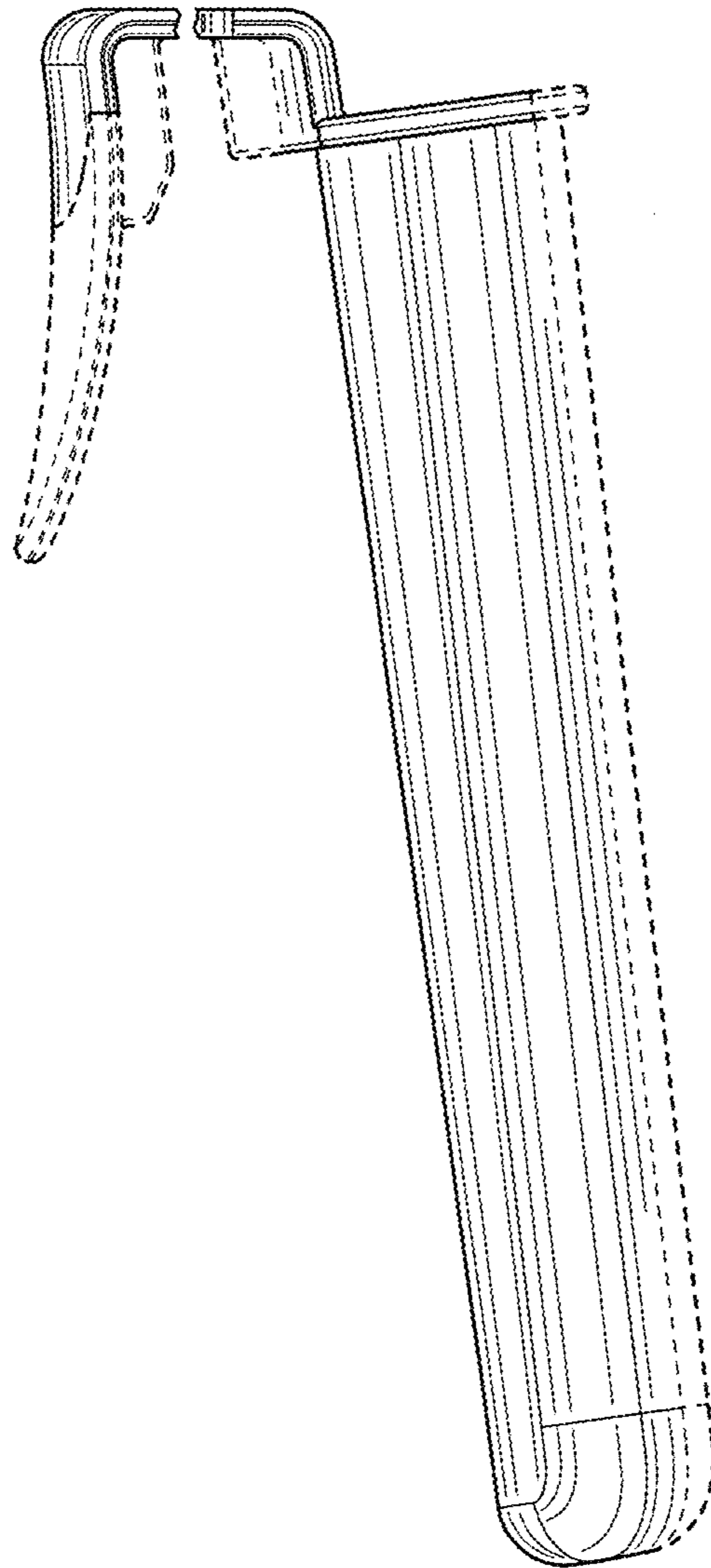


FIG. 4

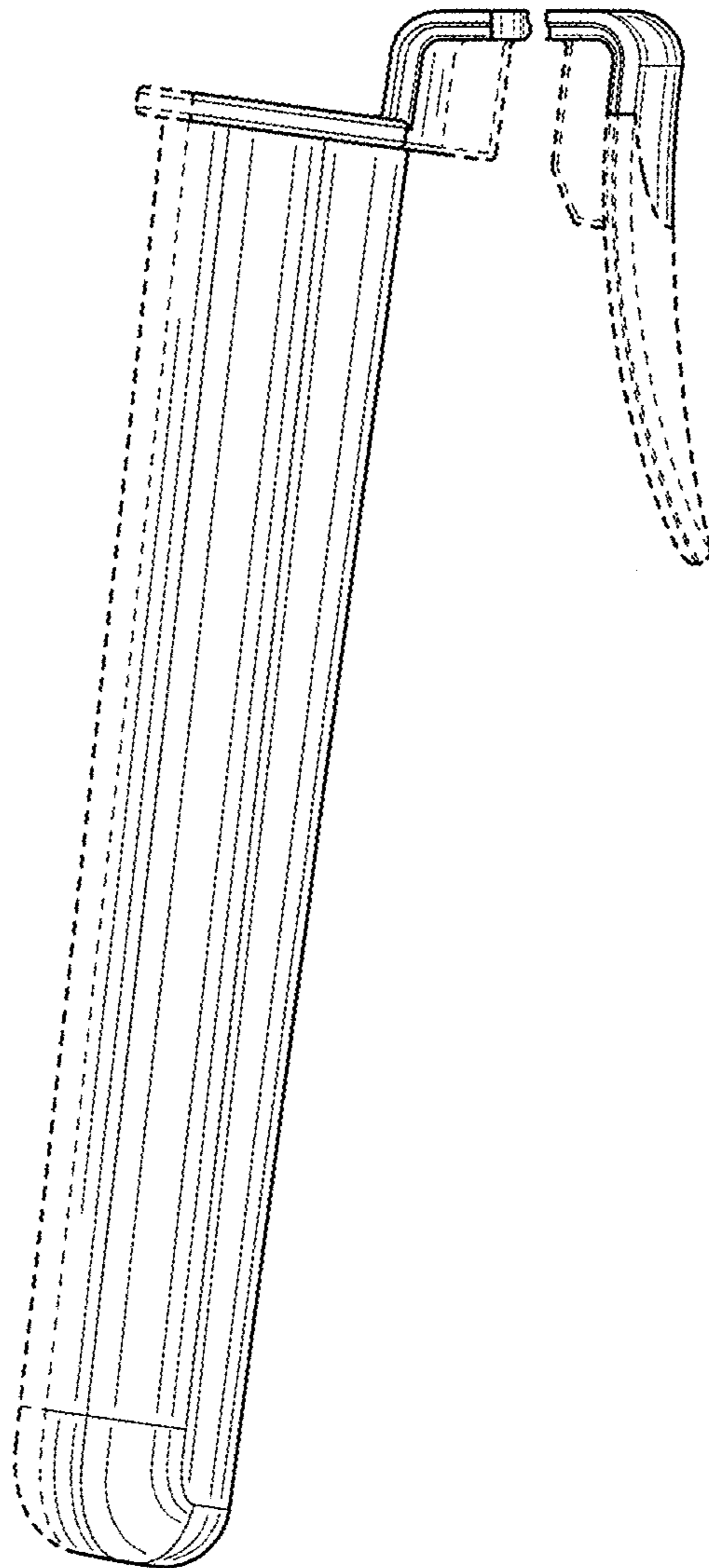


FIG. 5

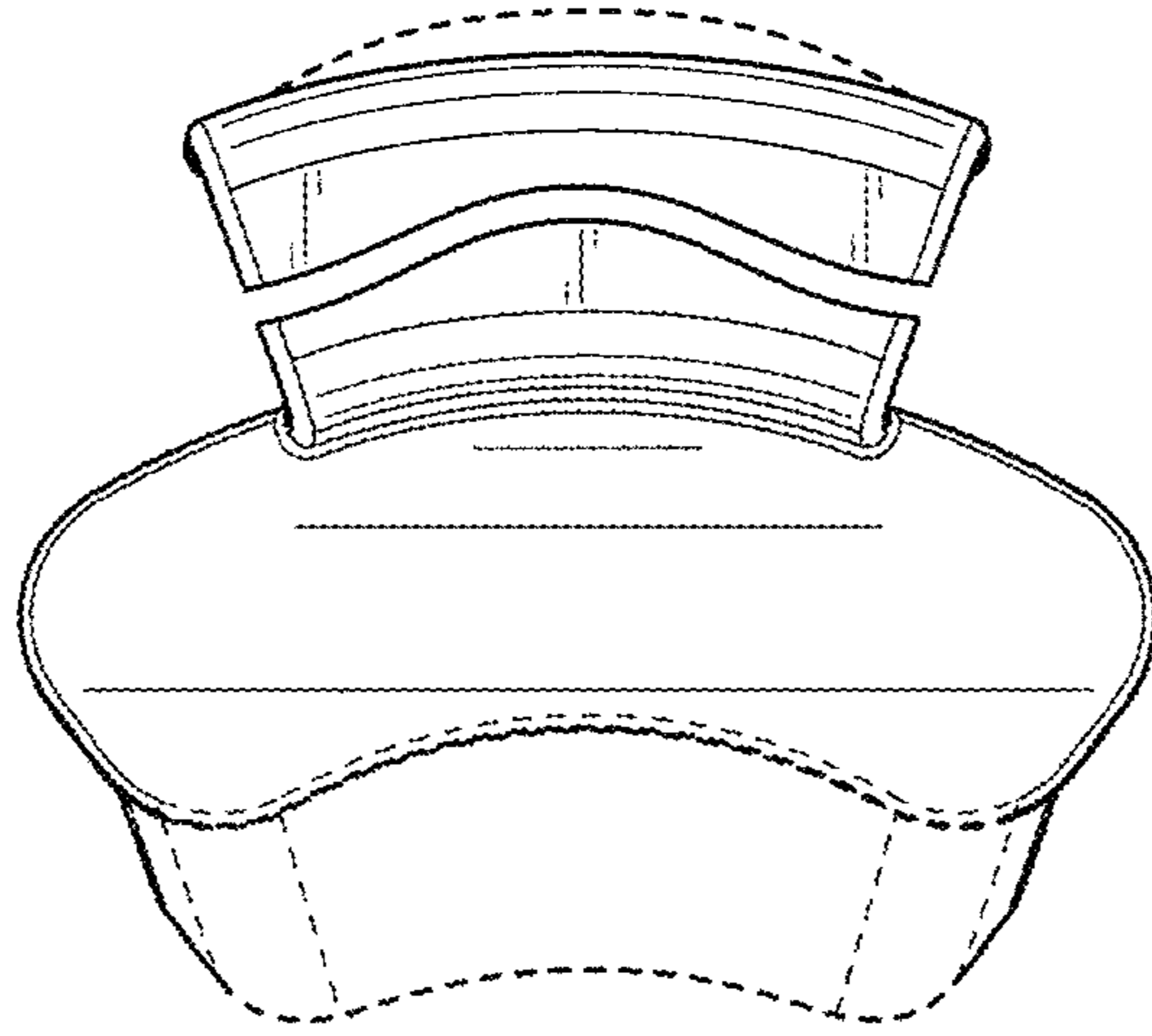


FIG. 6

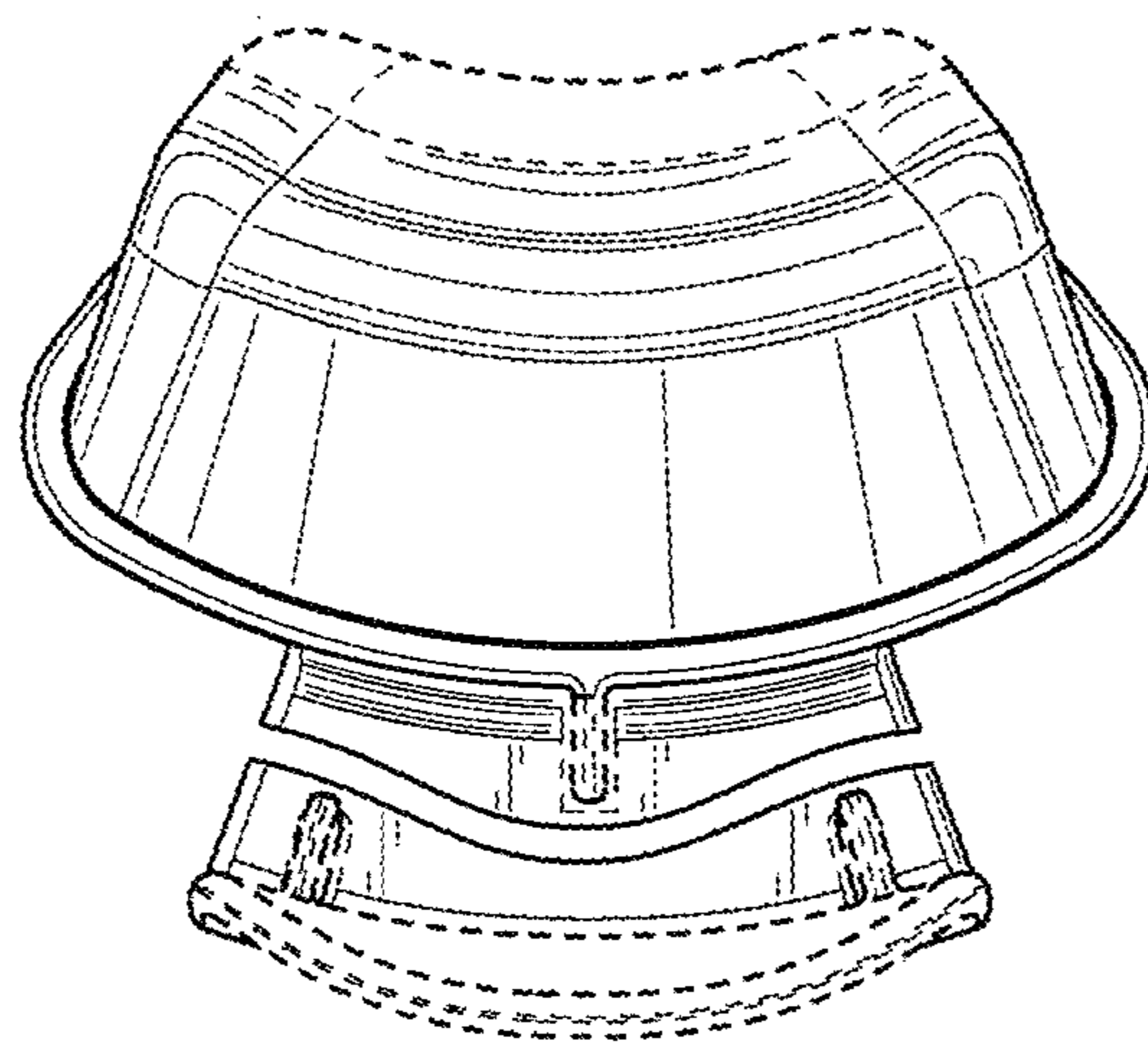


FIG. 7

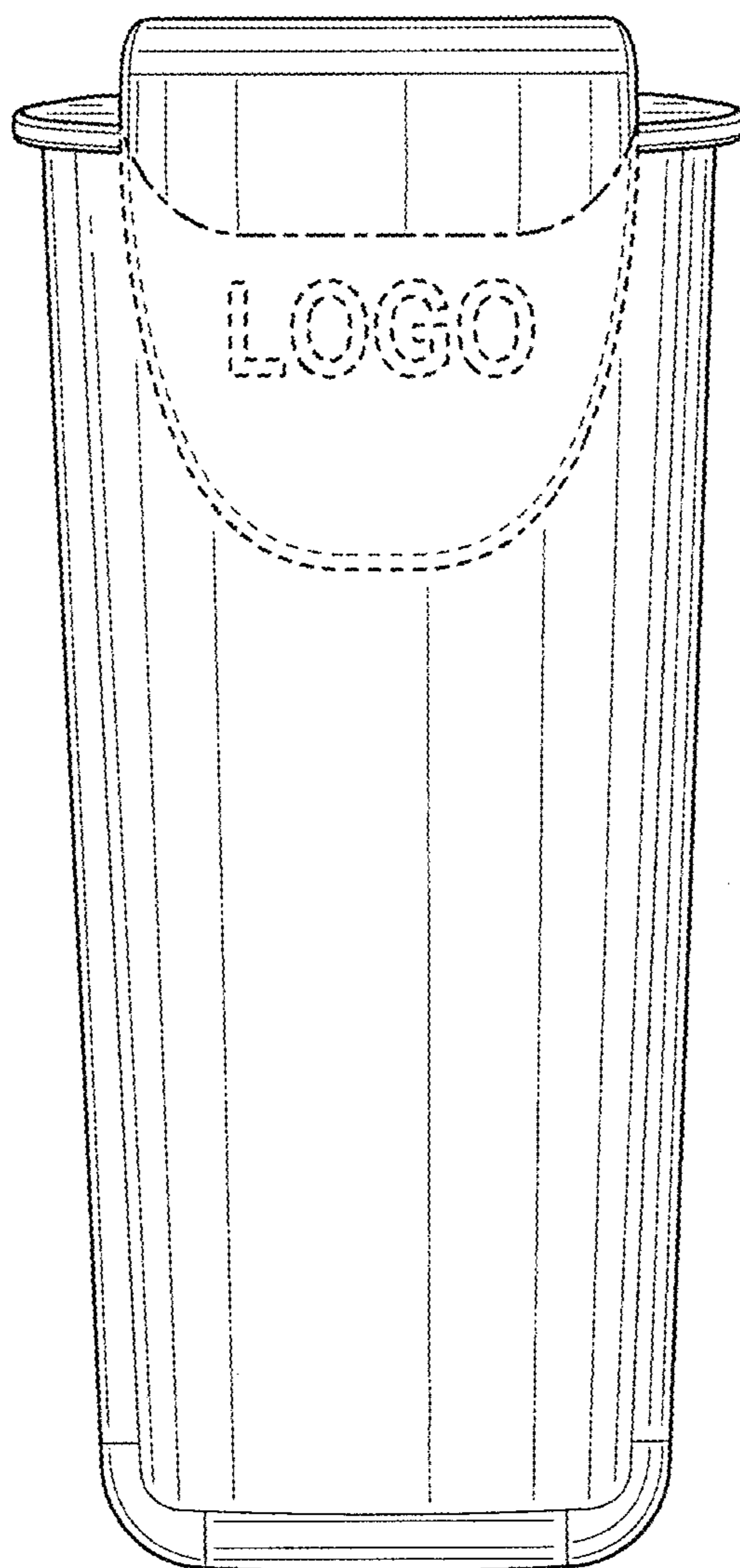


FIG. 8