



US00D751125S

(12) **United States Design Patent**
Kim et al.

(10) **Patent No.:** **US D751,125 S**
(45) **Date of Patent:** **** Mar. 8, 2016**

(54) **WINE CRADLE FOR REFRIGERATOR**

F25D 23/12; F25D 29/005; F25D 17/042;
F25D 2325/021

(71) Applicant: **SAMSUNG ELECTRONICS CO., LTD.**, Suwon-si (KR)

See application file for complete search history.

(72) Inventors: **Kyung Tae Kim**, Seoul (KR); **Kim Hyun Soo**, Sungnam-si (KR); **Park Youngmin**, Seoul (KR); **Jong Hyub Lee**, Seoul (KR)

(56) **References Cited**

U.S. PATENT DOCUMENTS

D98,417 S *	2/1936	Daum	D15/89
D261,891 S *	11/1981	Thompson et al.	D15/89
D588,615 S *	3/2009	Lavy	D15/89
D660,327 S *	5/2012	Doberstein et al.	D15/89
D700,221 S *	2/2014	Ringemann et al.	D15/89

* cited by examiner

Primary Examiner — Daniel Bui

Assistant Examiner — Khawaja Anwar

(74) *Attorney, Agent, or Firm* — Cantor Colburn LLP

(73) Assignee: **SAMSUNG ELECTRONICS CO., LTD.** (KR)

(**) Term: **14 Years**

(21) Appl. No.: **29/470,654**

(22) Filed: **Oct. 23, 2013**

(57) **CLAIM**

We claim, the ornamental design for a wine cradle for refrigerator, as shown and described.

(30) **Foreign Application Priority Data**

Apr. 25, 2013 (KR) 30-2013-0021917

(51) **LOC (10) Cl.** **15-07**

(52) **U.S. Cl.**
USPC **D15/89**

(58) **Field of Classification Search**
USPC D15/79, 81, 83, 84, 85, 86, 87, 88, 89,
D15/90

CPC F25B 21/02; F25B 2321/02; F25B 1/005;
F25B 2321/0252; F25B 1/00; F25B 1/10;
F25B 21/04; F25B 2339/047; F25B 5/02;
F25B 7/00; F25B 13/00; F25B 1/053; F25B
2309/06; F25B 2321/021; F25B 2321/023;
F25D 23/028; F25D 23/02; F25D 25/025;
F25D 23/00; F25D 2323/021; F25D 11/00;
F25D 2323/024; F25D 23/04; F25D 29/00;
F25D 25/02; F25D 25/024; F25D 27/005;

DESCRIPTION

FIG. 1 is a front perspective view of a wine cradle for refrigerator showing our new design;

FIG. 2 is a front view thereof;

FIG. 3 is a rear view thereof;

FIG. 4 is a side view thereof;

FIG. 5 is another side view thereof;

FIG. 6 is a top view thereof;

FIG. 7 is a bottom view thereof;

FIG. 8 is a front perspective view thereof in a refrigerator shelf environment; and,

FIG. 9 is a front perspective view thereof in another configuration.

The broken lines are for environmental purposes only and form no part of the claimed design.

1 Claim, 9 Drawing Sheets

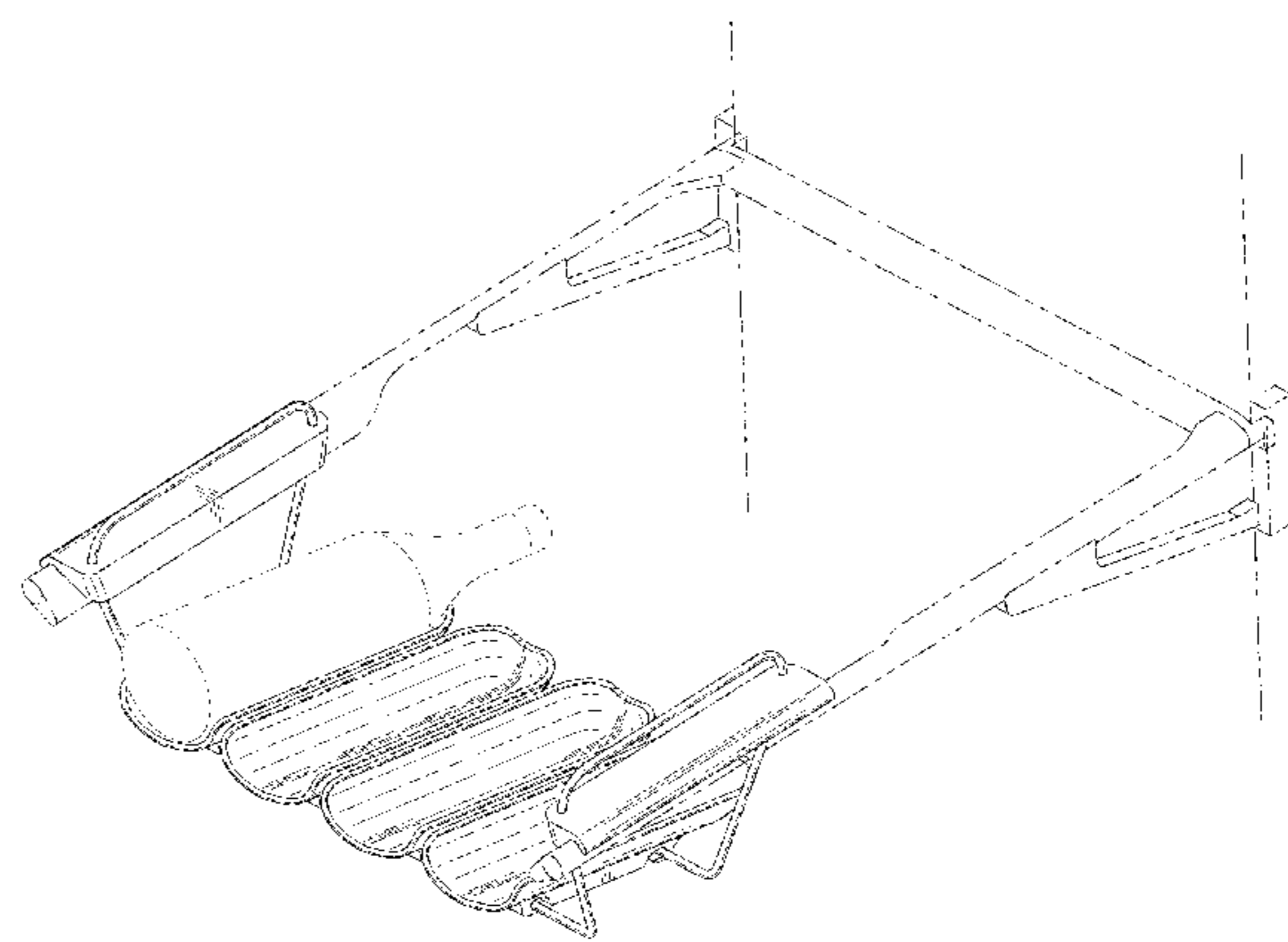
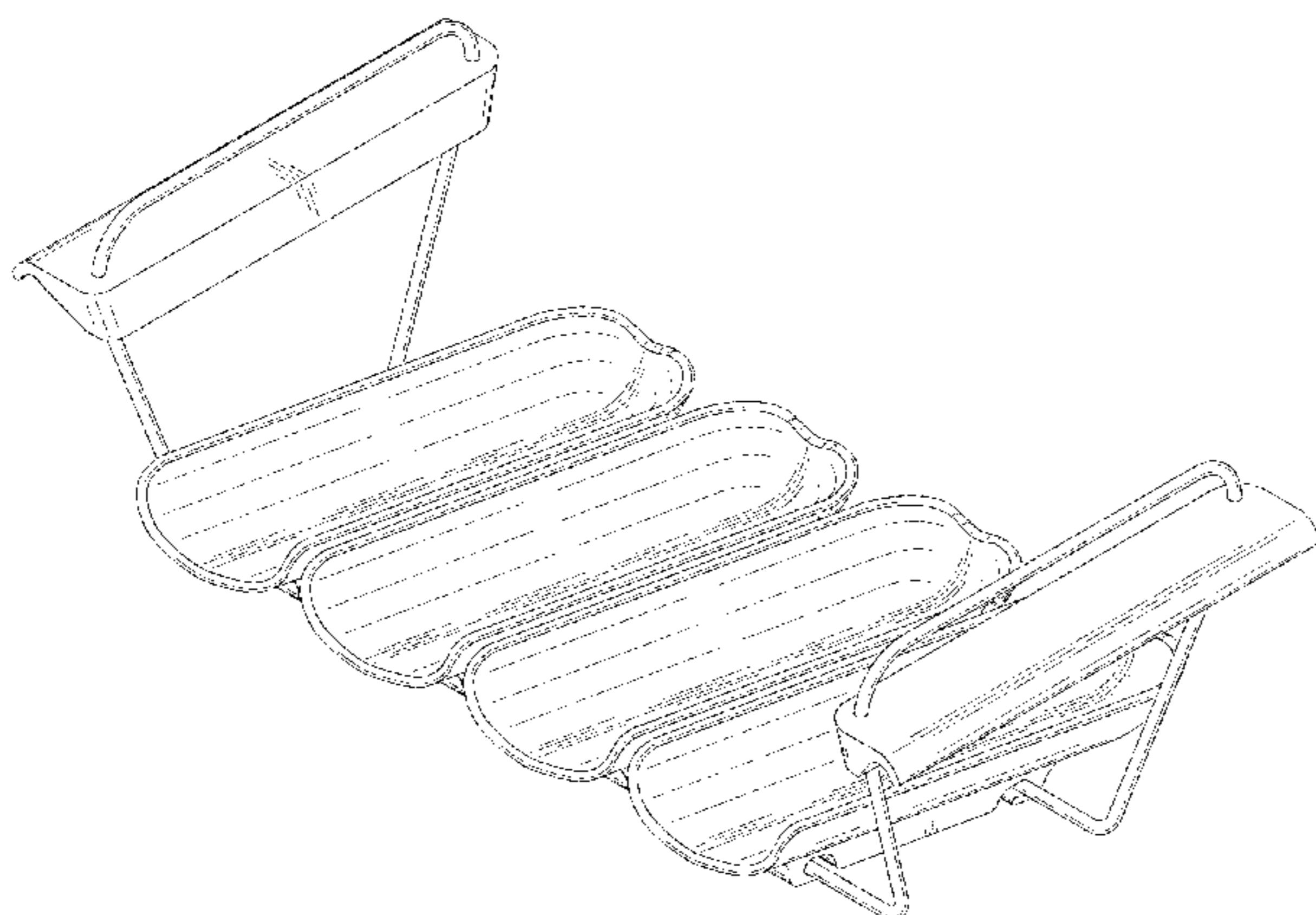


FIG. 1

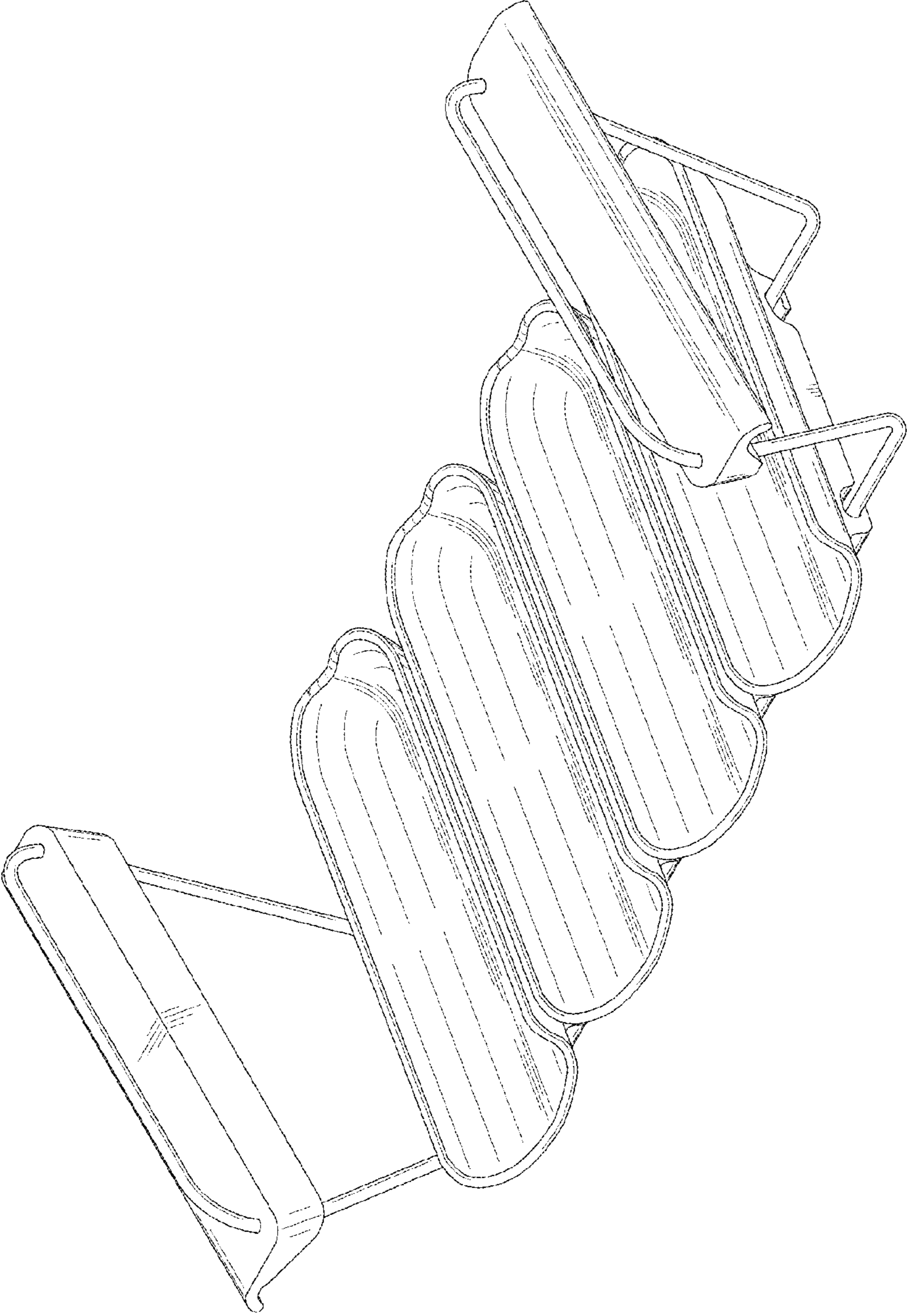


FIG. 2

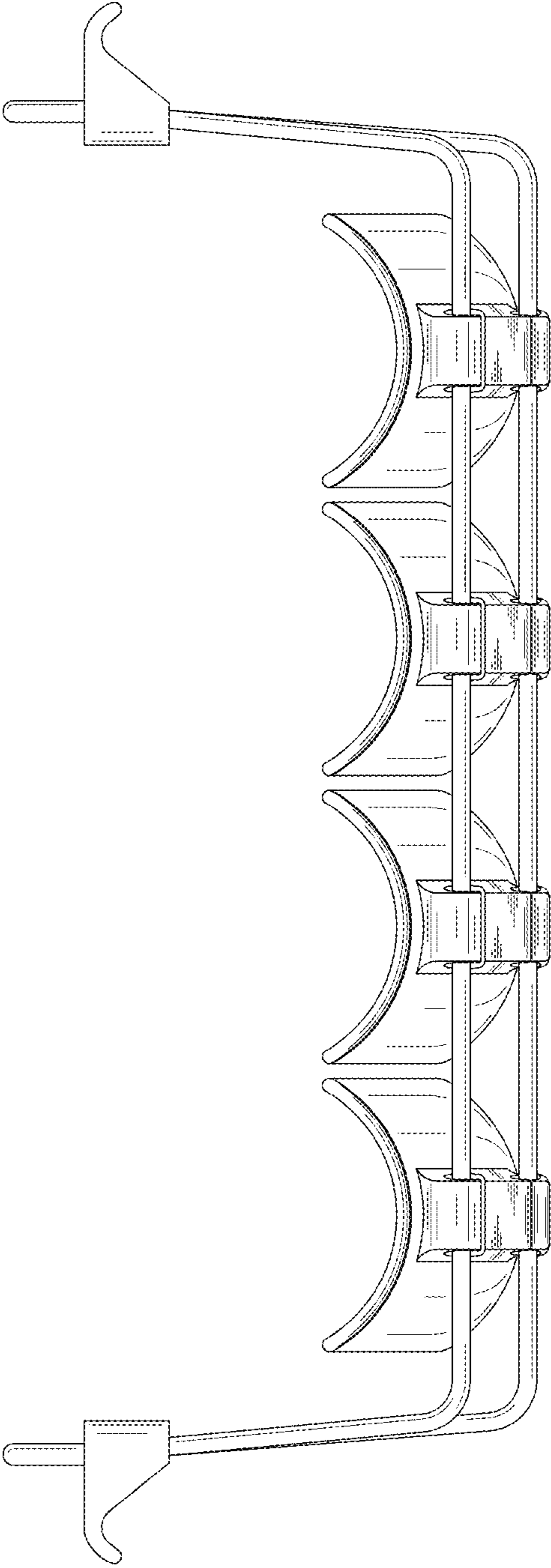


FIG. 3

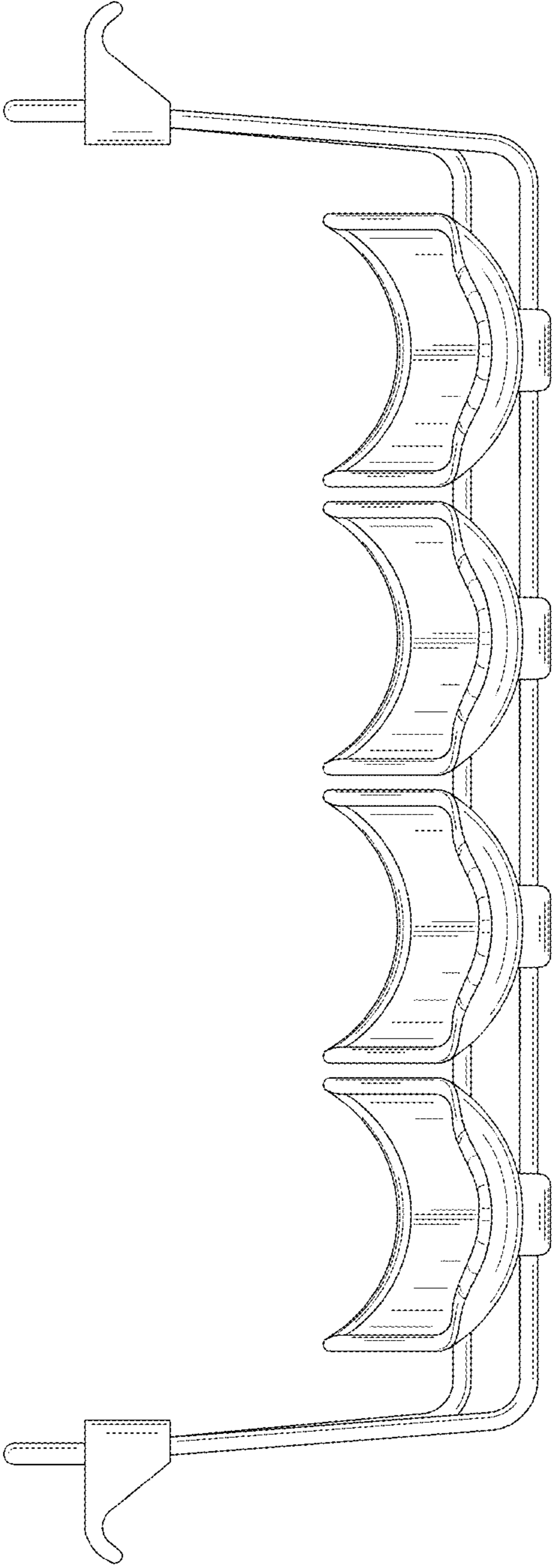


FIG. 4

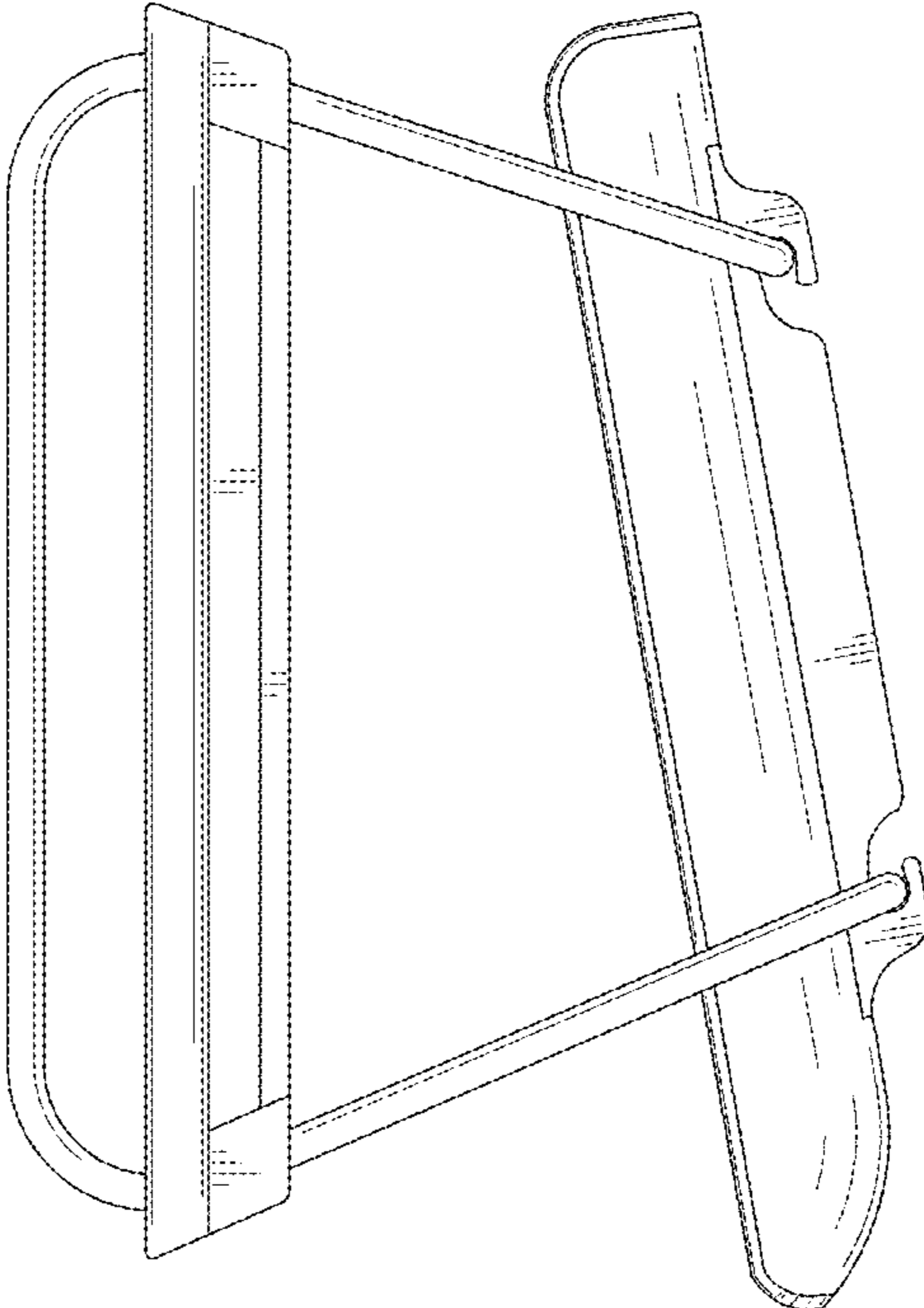


FIG. 5

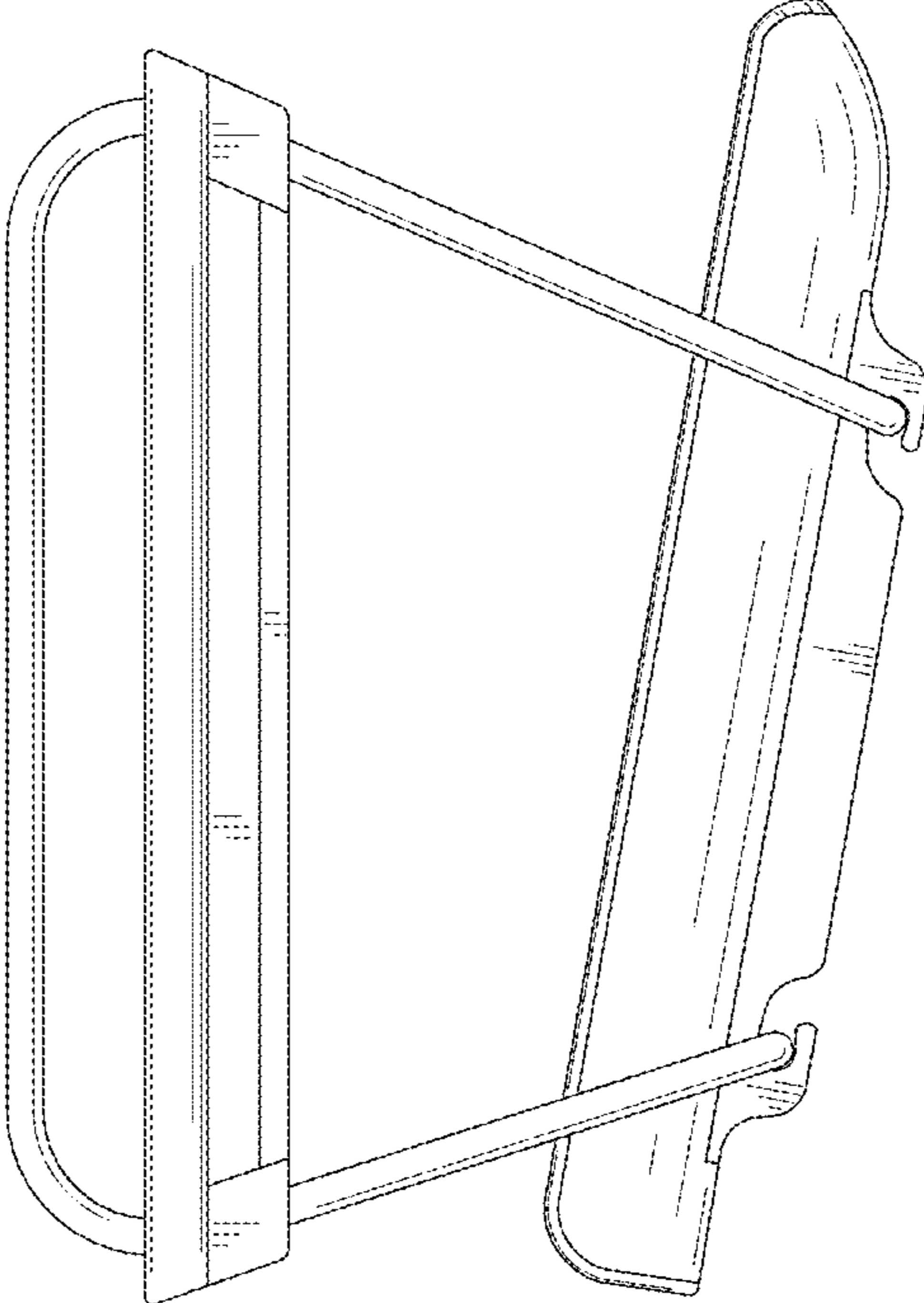


FIG. 6

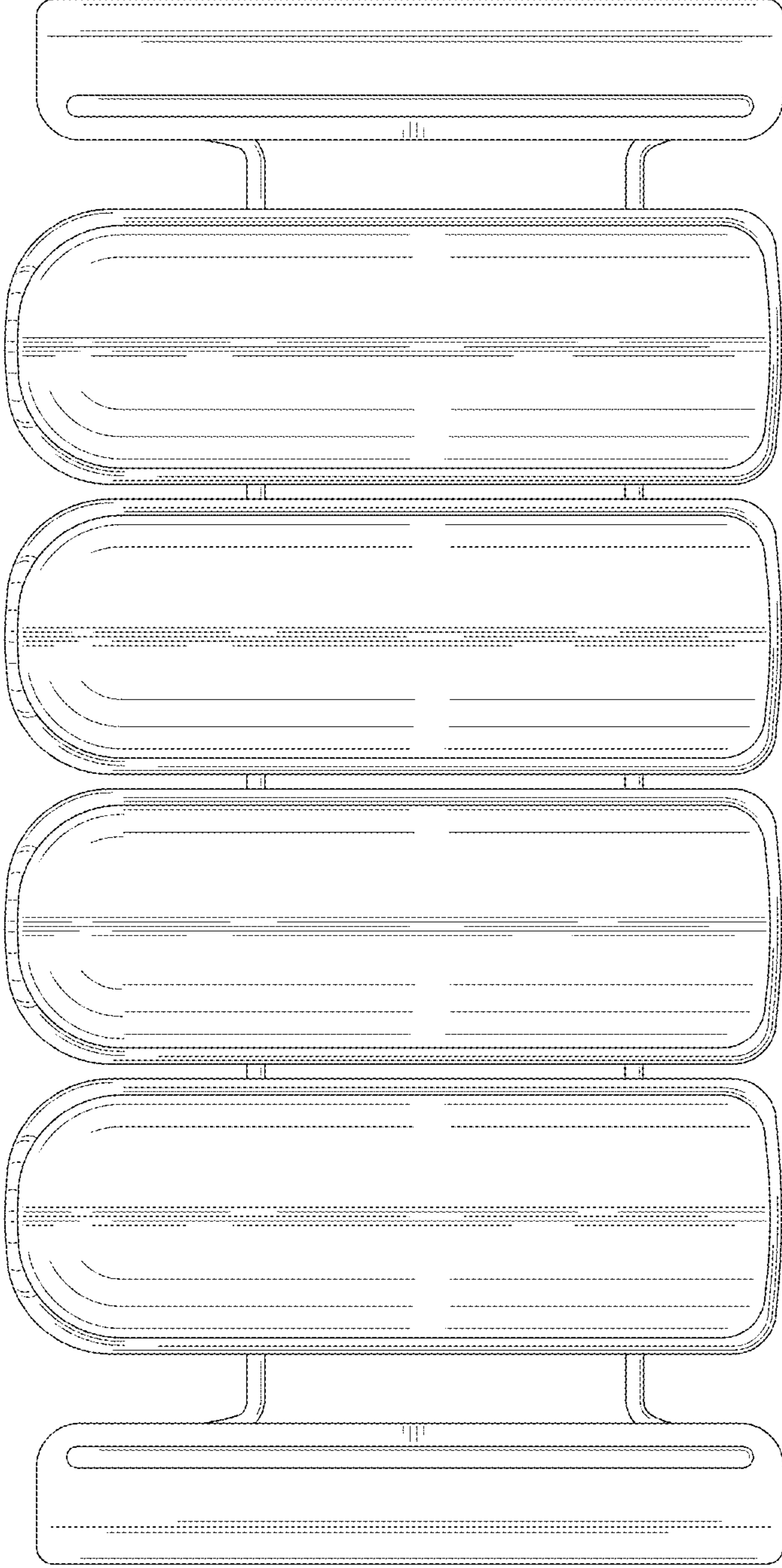


FIG. 7

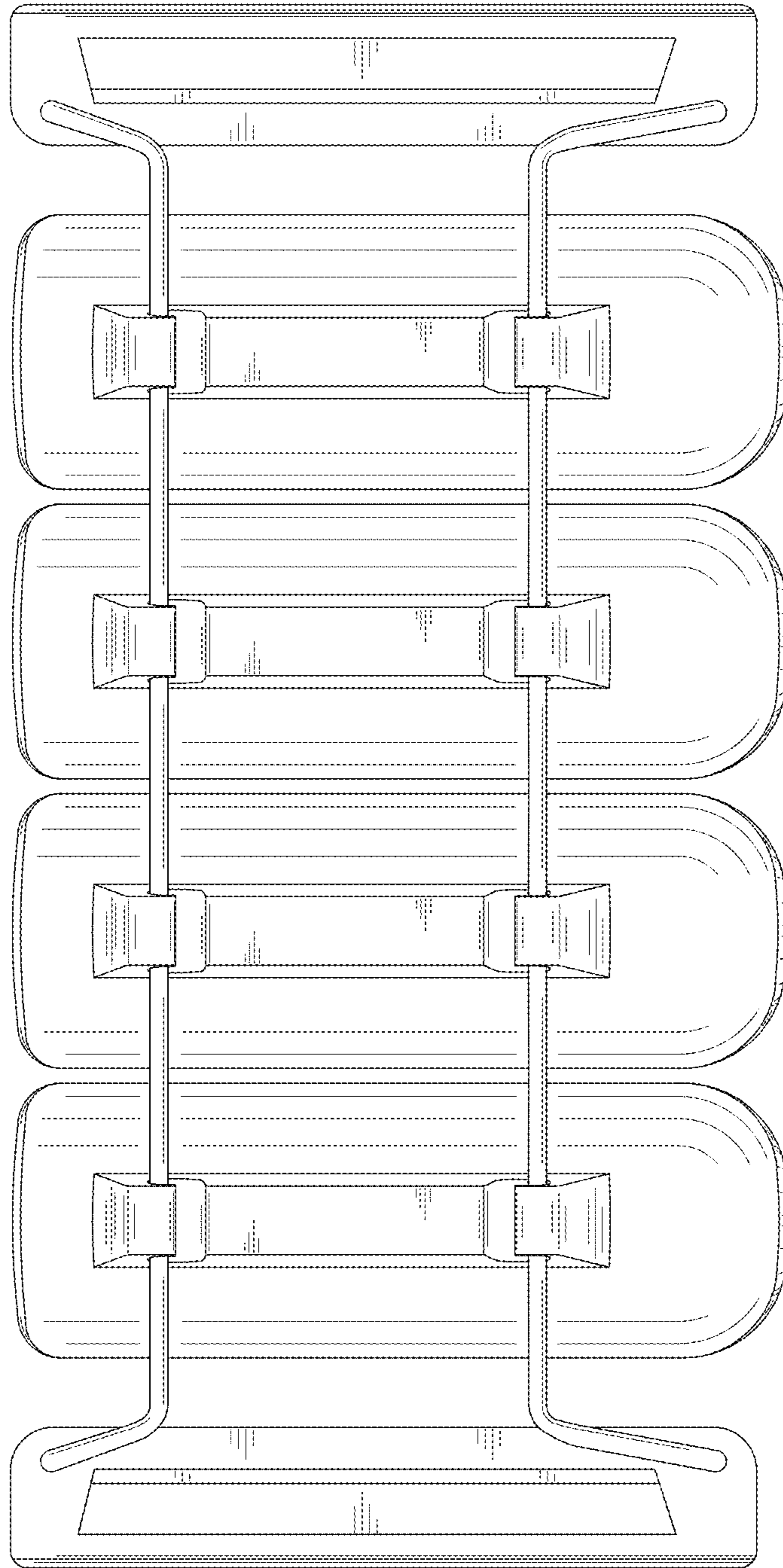


FIG. 8

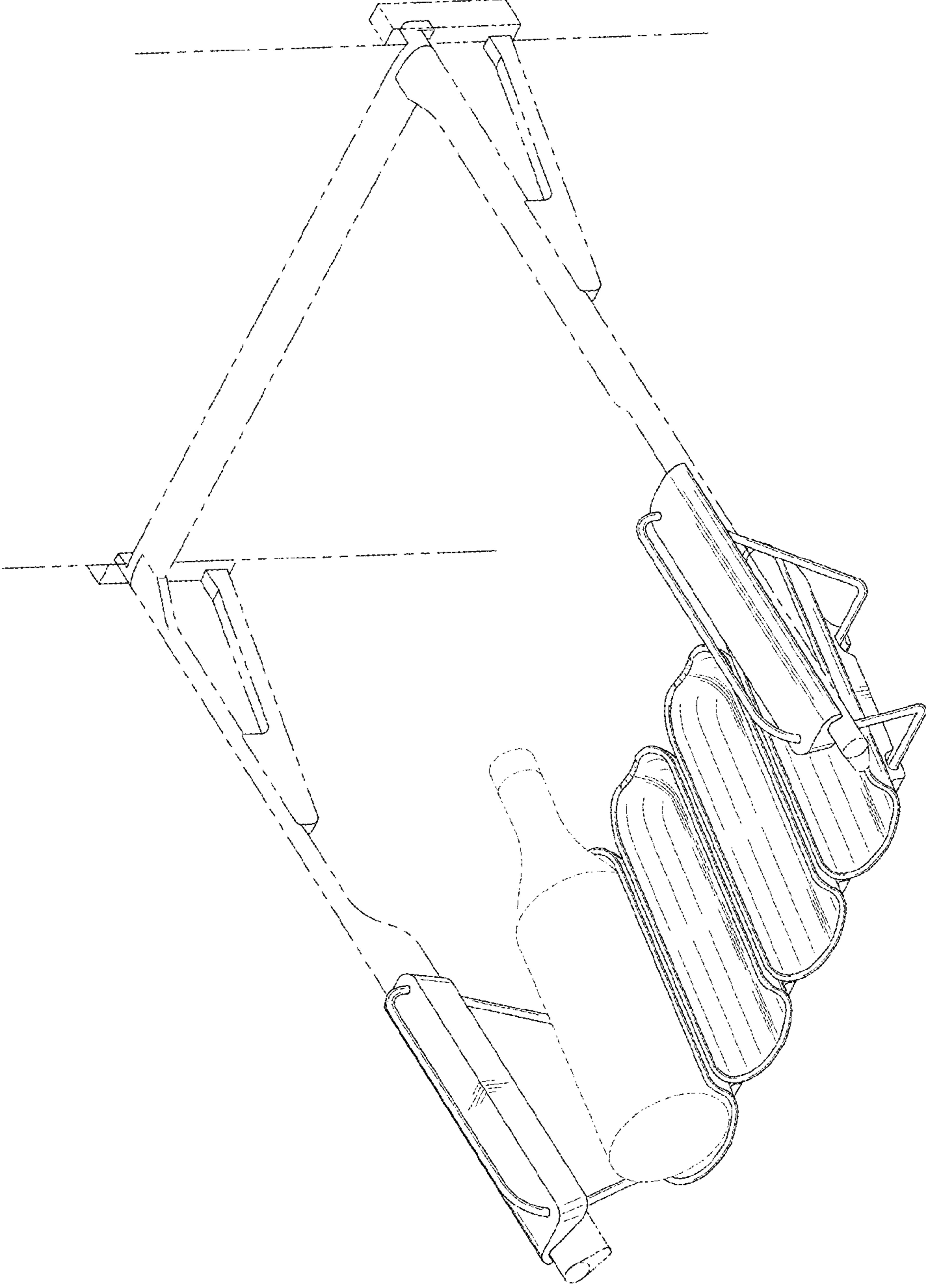


FIG. 9

