



US00D751119S

(12) **United States Design Patent**
Murakami

(10) **Patent No.:** **US D751,119 S**
(45) **Date of Patent:** **** Mar. 8, 2016**

(54) **EXHAUST GAS PURIFIER**

(71) Applicant: **YANMAR CO., LTD.**, Osaka-shi (JP)

(72) Inventor: **Ryuichiro Murakami**, Osaka (JP)

(73) Assignee: **YANMAR CO., LTD.**, Osaka-Shi,
Osaka (JP)

(**) Term: **14 Years**

(21) Appl. No.: **29/497,562**

(22) Filed: **Jul. 25, 2014**

(30) **Foreign Application Priority Data**

Jan. 31, 2014 (JP) 2014-001984
Jan. 31, 2014 (JP) 2014-001985

(51) **LOC (10) Cl.** **15-01**

(52) **U.S. Cl.**
USPC **D15/5**

(58) **Field of Classification Search**
USPC D15/1-5; 422/179, 177, 211, 213;
136/253; 60/302, 299; D12/400, 194
CPC .. F01N 3/08; B01D 46/0043; F02M 25/0703;
F02M 25/0772
See application file for complete search history.

(56) **References Cited**

U.S. PATENT DOCUMENTS

6,213,105 B1 * 4/2001 Banzhaf et al. 123/568.12
6,976,480 B2 * 12/2005 Miyoshi et al. 123/568.12
7,743,816 B2 * 6/2010 Mercz et al. 165/11.1
D702,735 S * 4/2014 Sandou et al. D15/5

* cited by examiner

Primary Examiner — T. Chase Nelson

Assistant Examiner — Ania Aman

(74) *Attorney, Agent, or Firm* — Buchanan, Ingersoll &
Rooney PC

(57) **CLAIM**

The ornamental design for an exhaust gas purifier, as shown
and described.

DESCRIPTION

FIG. 1 is a perspective view of a first embodiment of an
exhaust gas purifier;
FIG. 2 is a front elevational view thereof;
FIG. 3 is a rear elevational view thereof;
FIG. 4 is a left side view thereof;
FIG. 5 is a right side view thereof;
FIG. 6 is a top plan view thereof;
FIG. 7 is a bottom plan view thereof;
FIG. 8 is a perspective view of a second embodiment of an
exhaust gas purifier;
FIG. 9 is a front elevational view thereof;
FIG. 10 is a rear elevational view thereof;
FIG. 11 is a left side view thereof;
FIG. 12 is a right side view thereof;
FIG. 13 is a top plan view thereof; and,
FIG. 14 is a bottom plan view thereof.
The broken lines depict environmental subject matter only
and form no part of the claimed design.

1 Claim, 8 Drawing Sheets

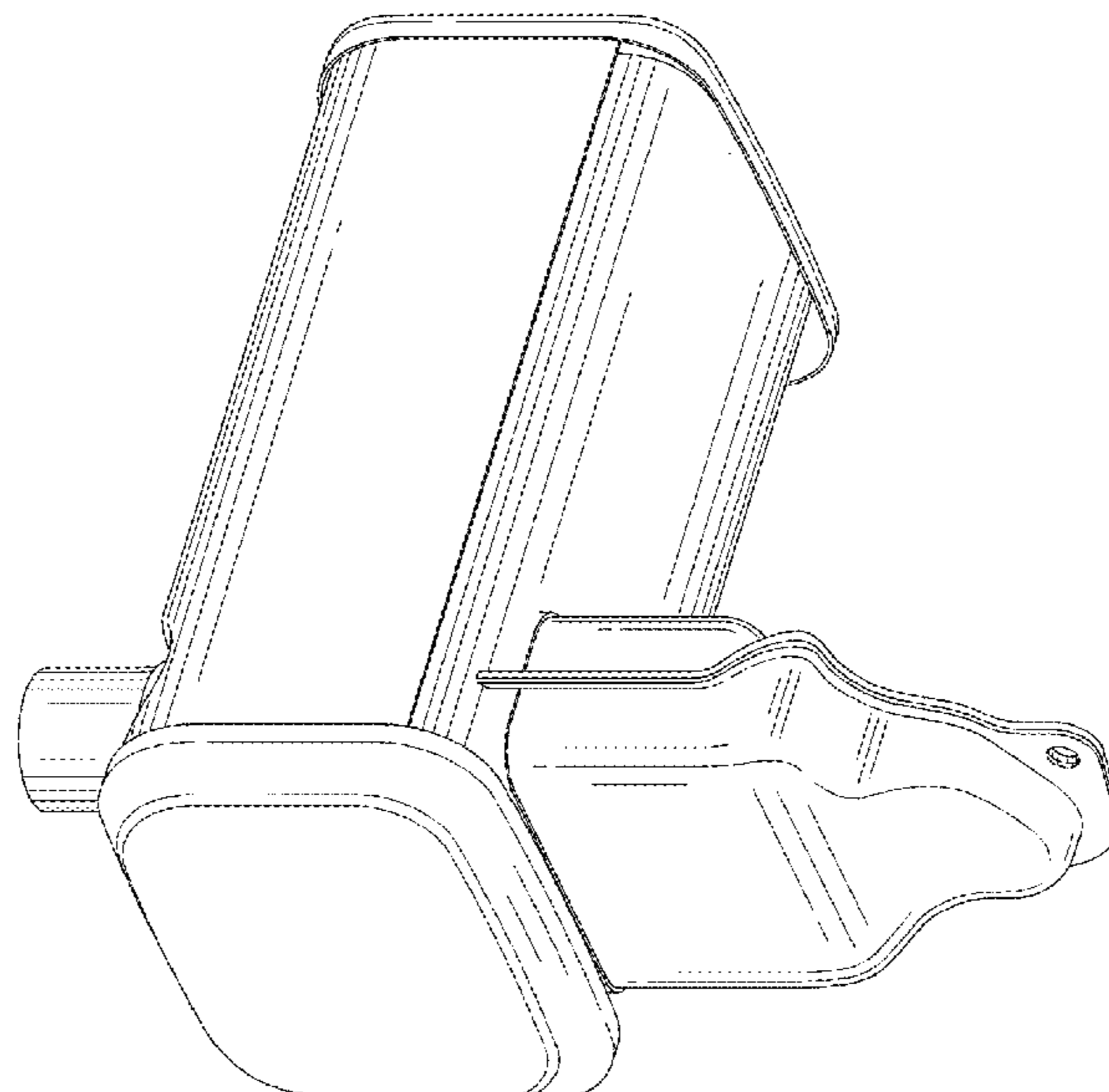


Fig. 1

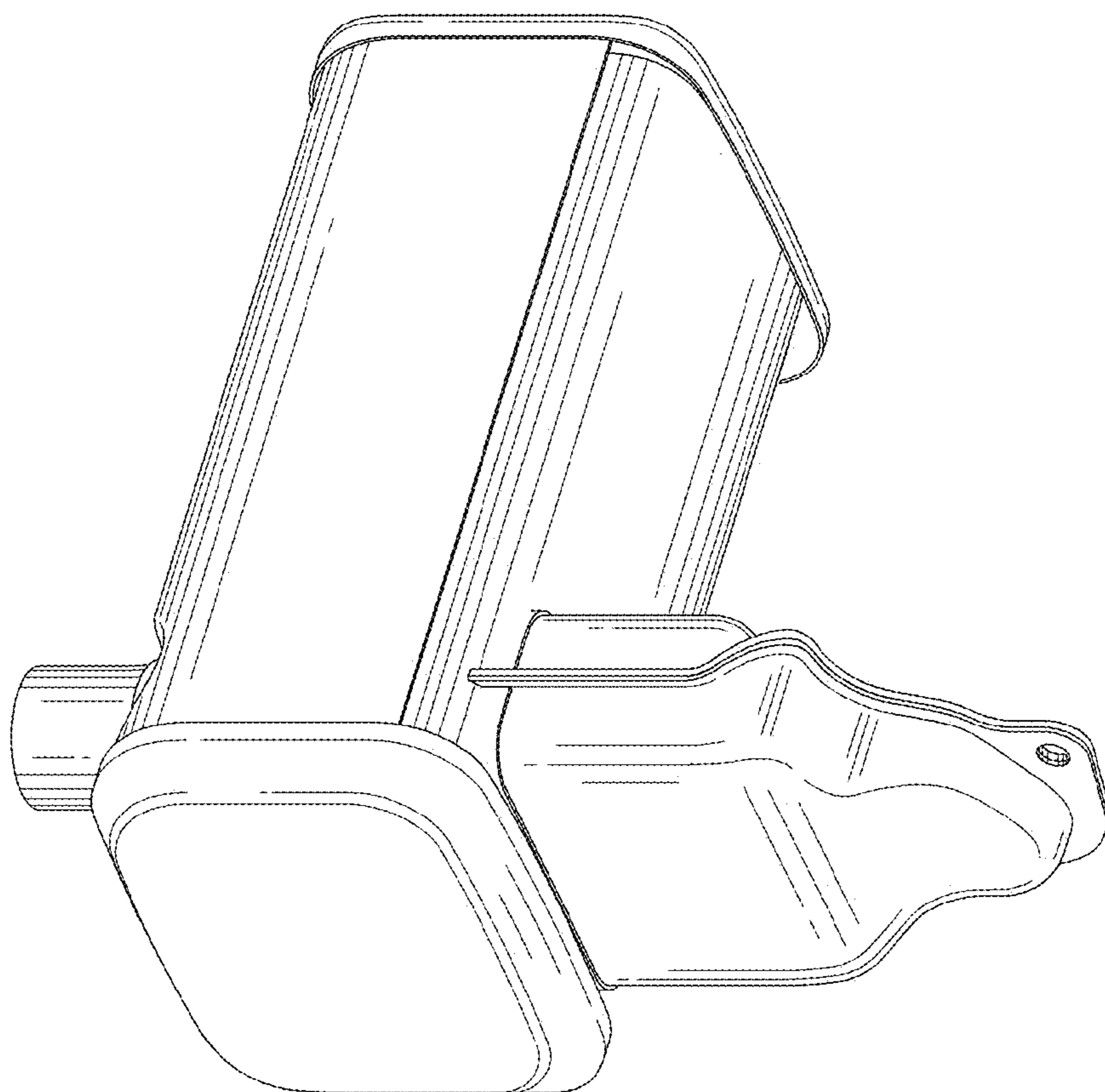


Fig. 2

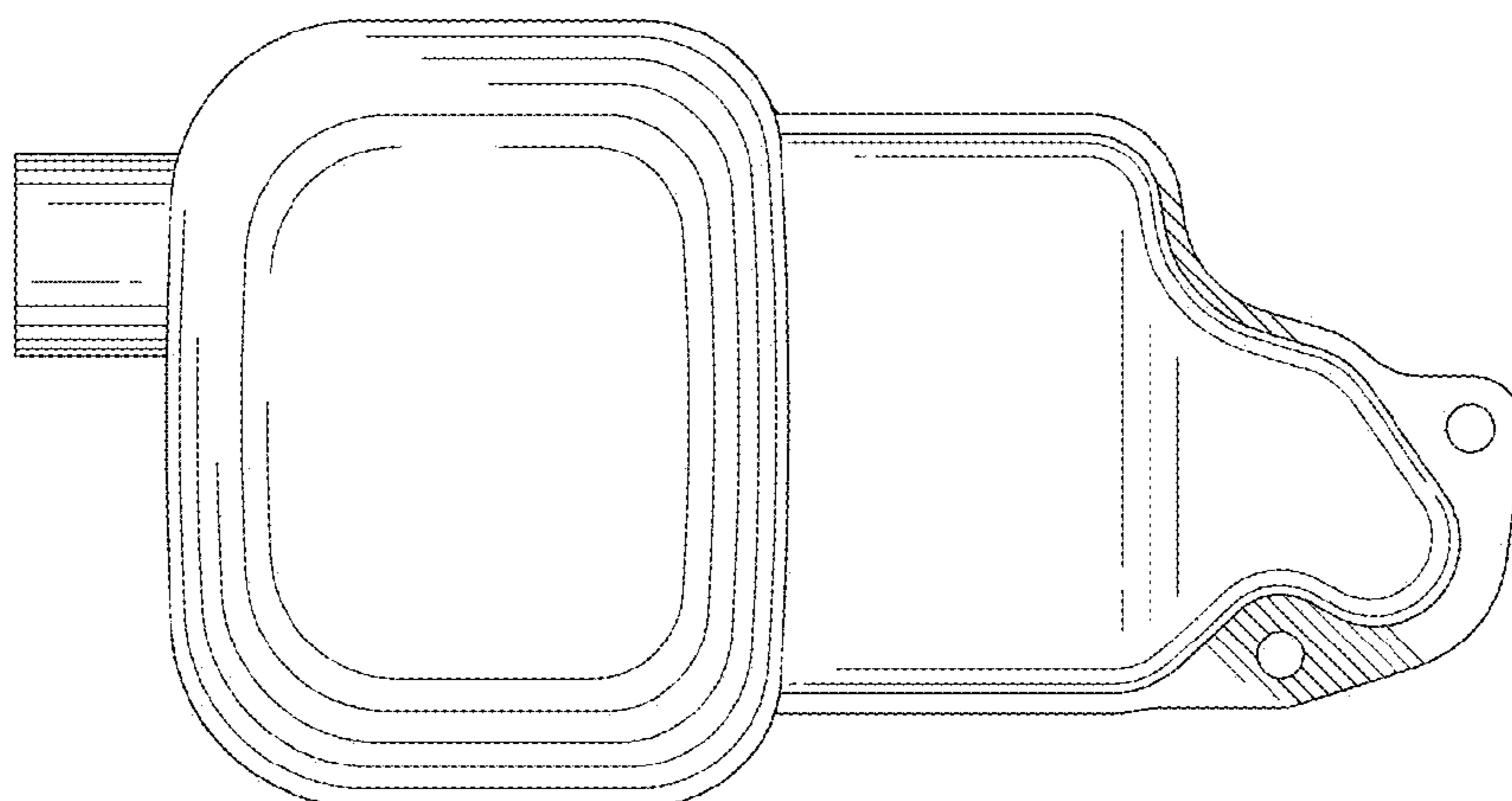


Fig. 3

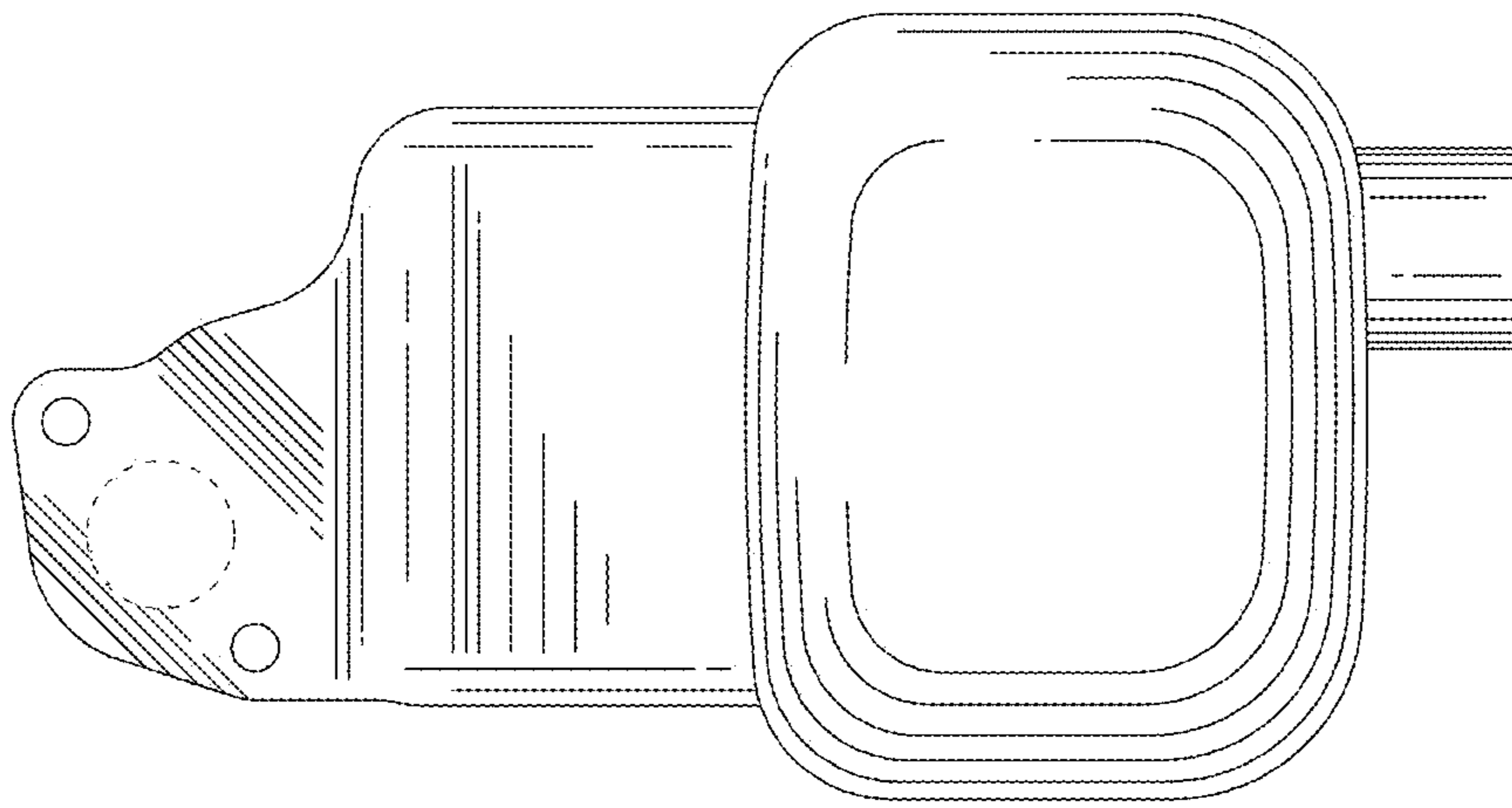


Fig. 4

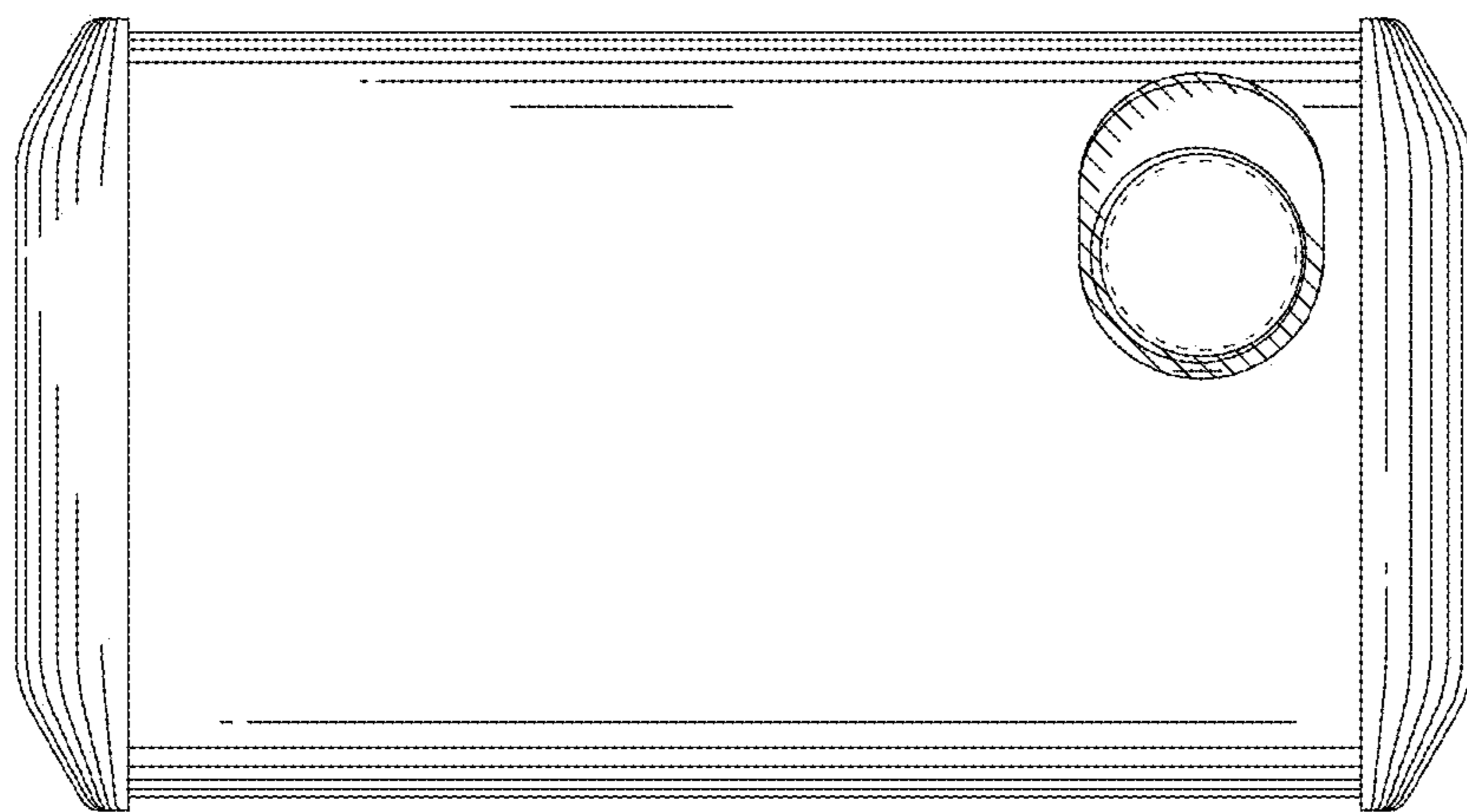


Fig. 5

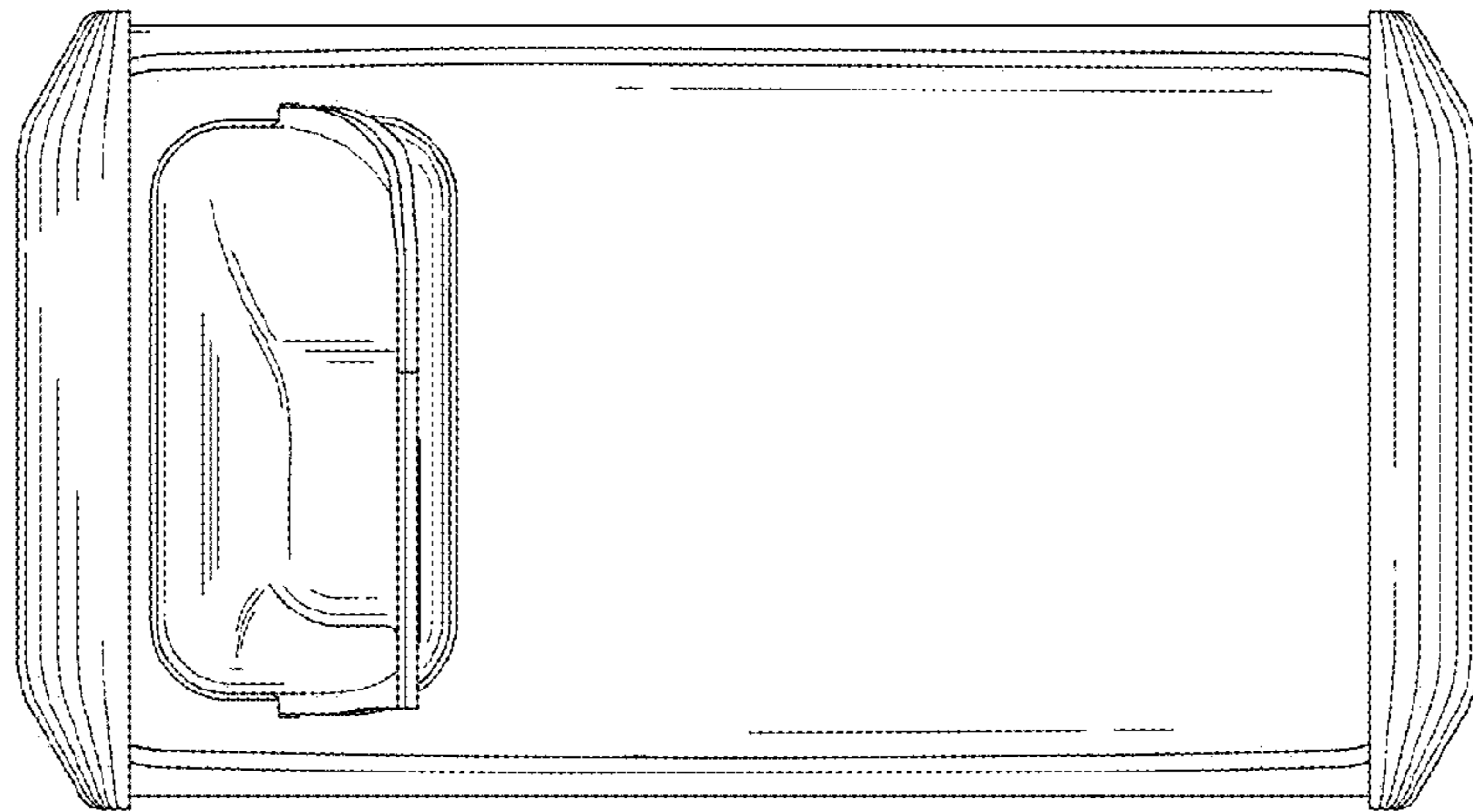


Fig. 6

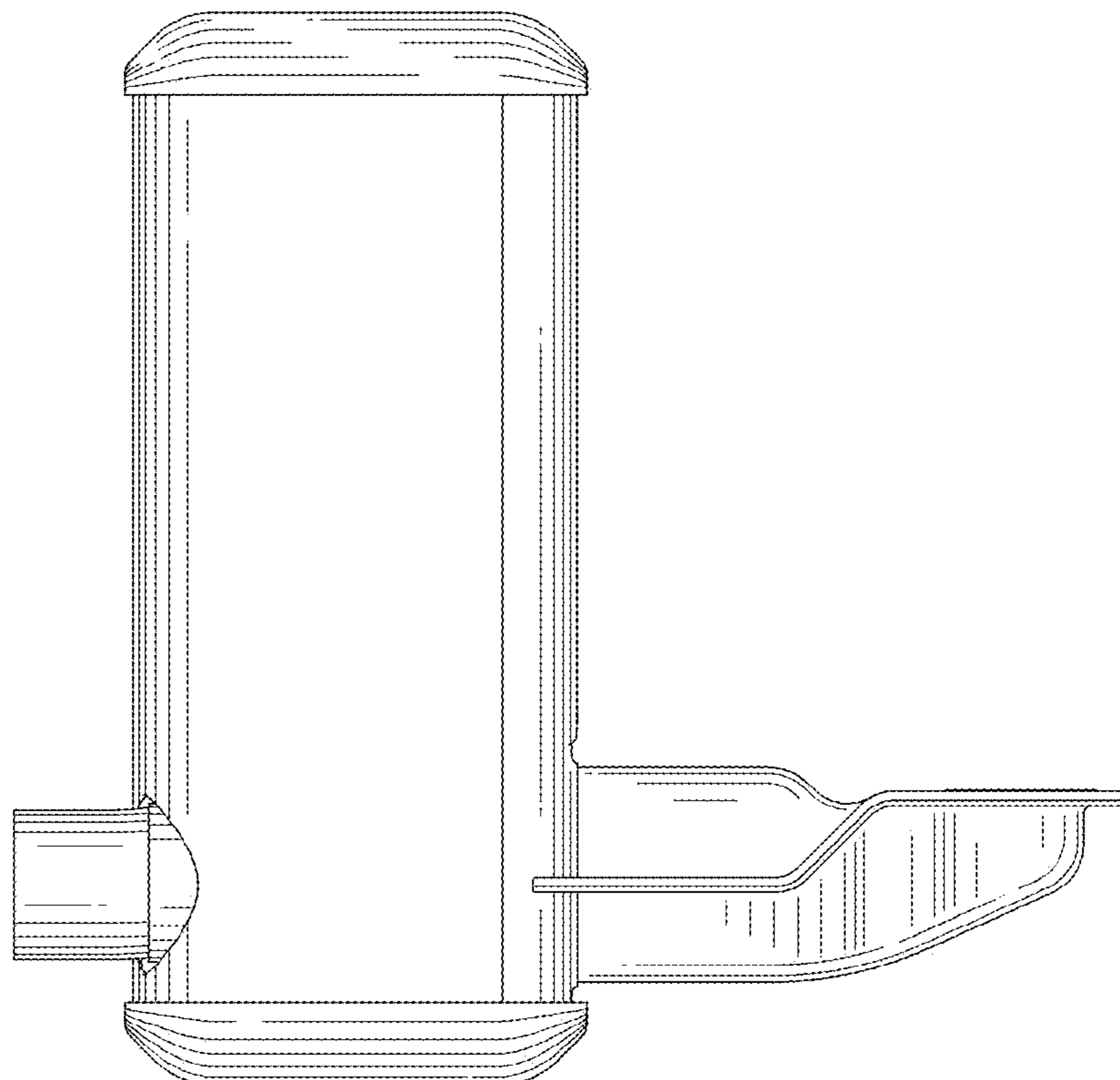


Fig. 7

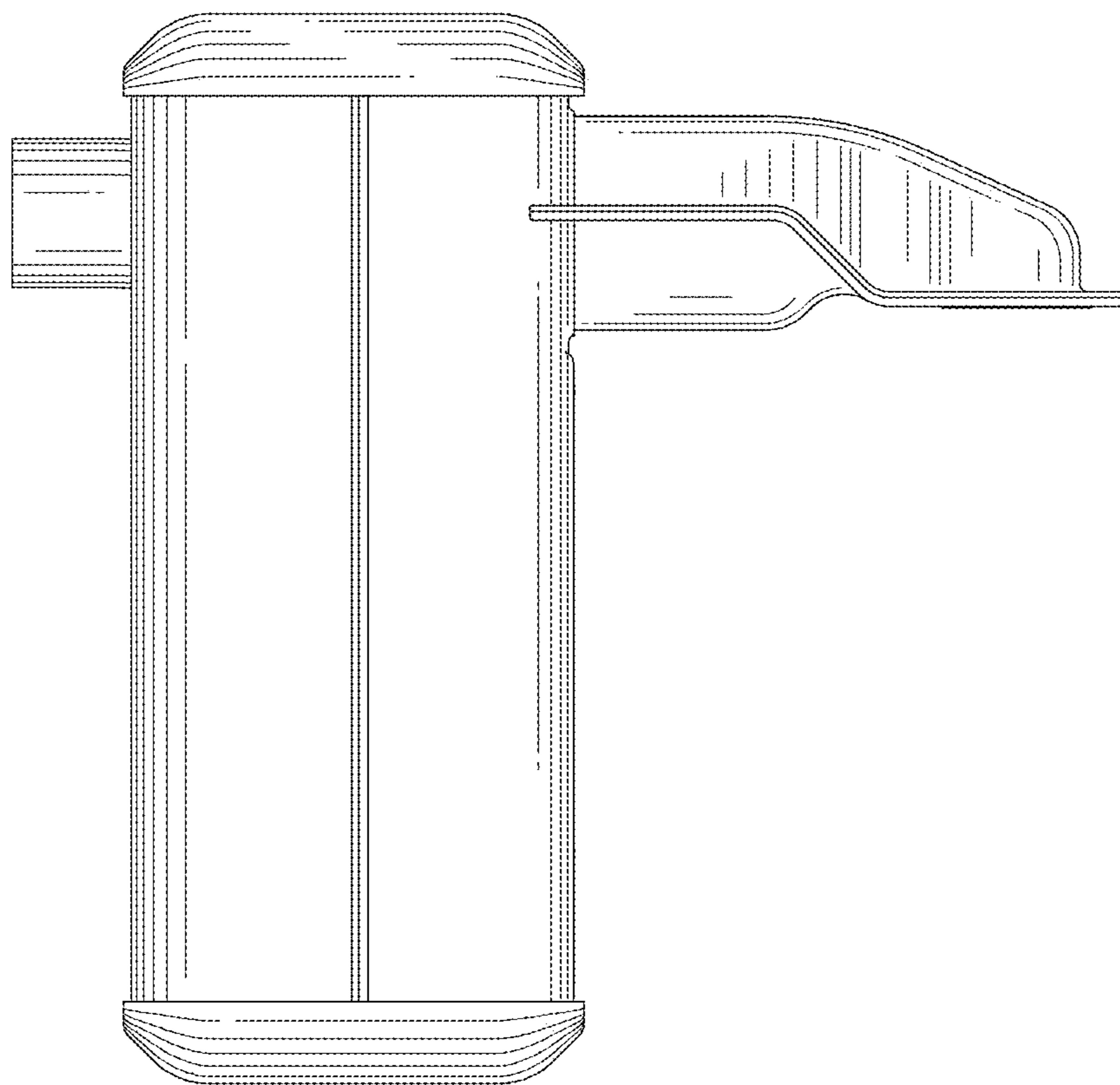


Fig. 8

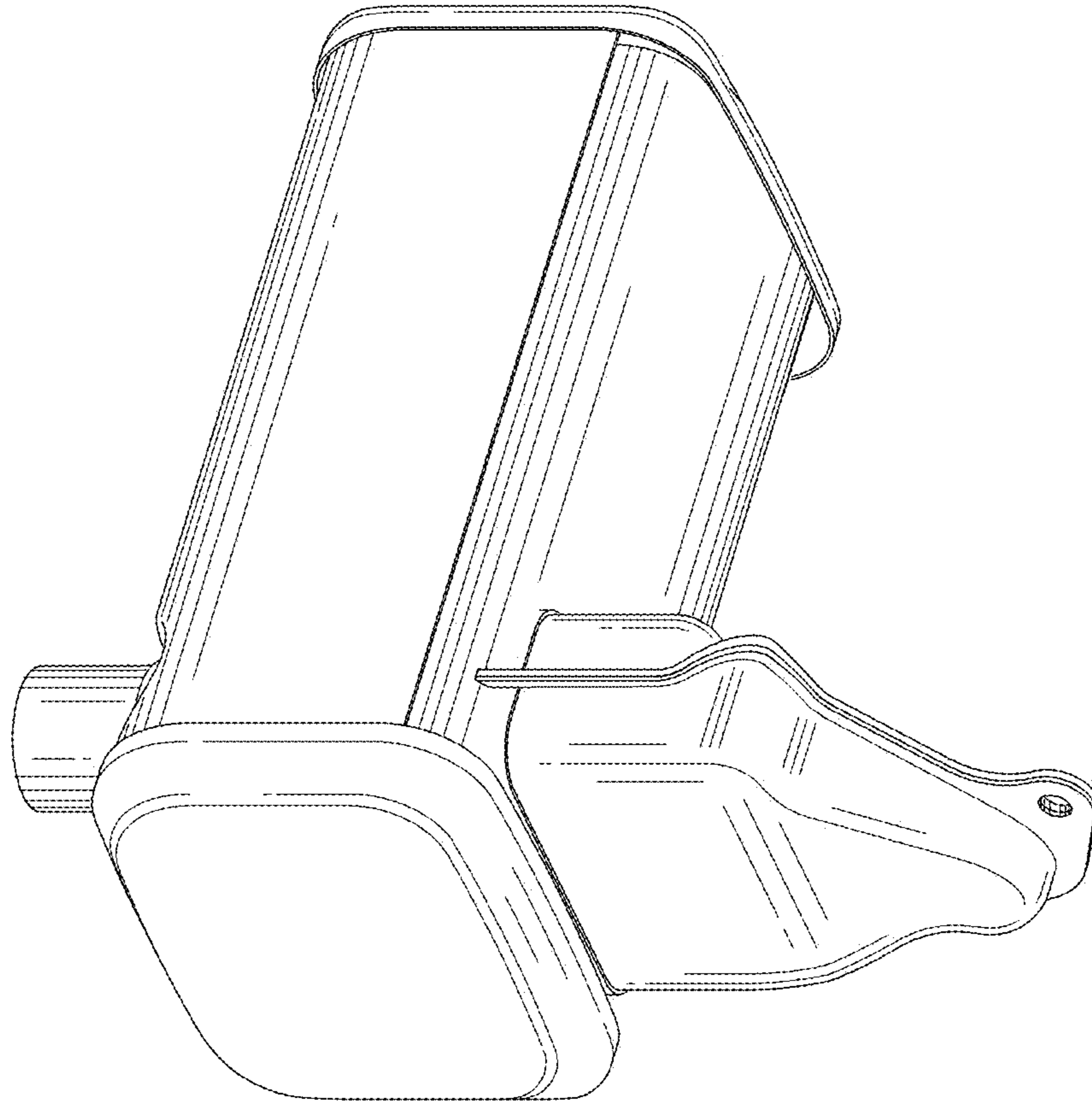


Fig. 9

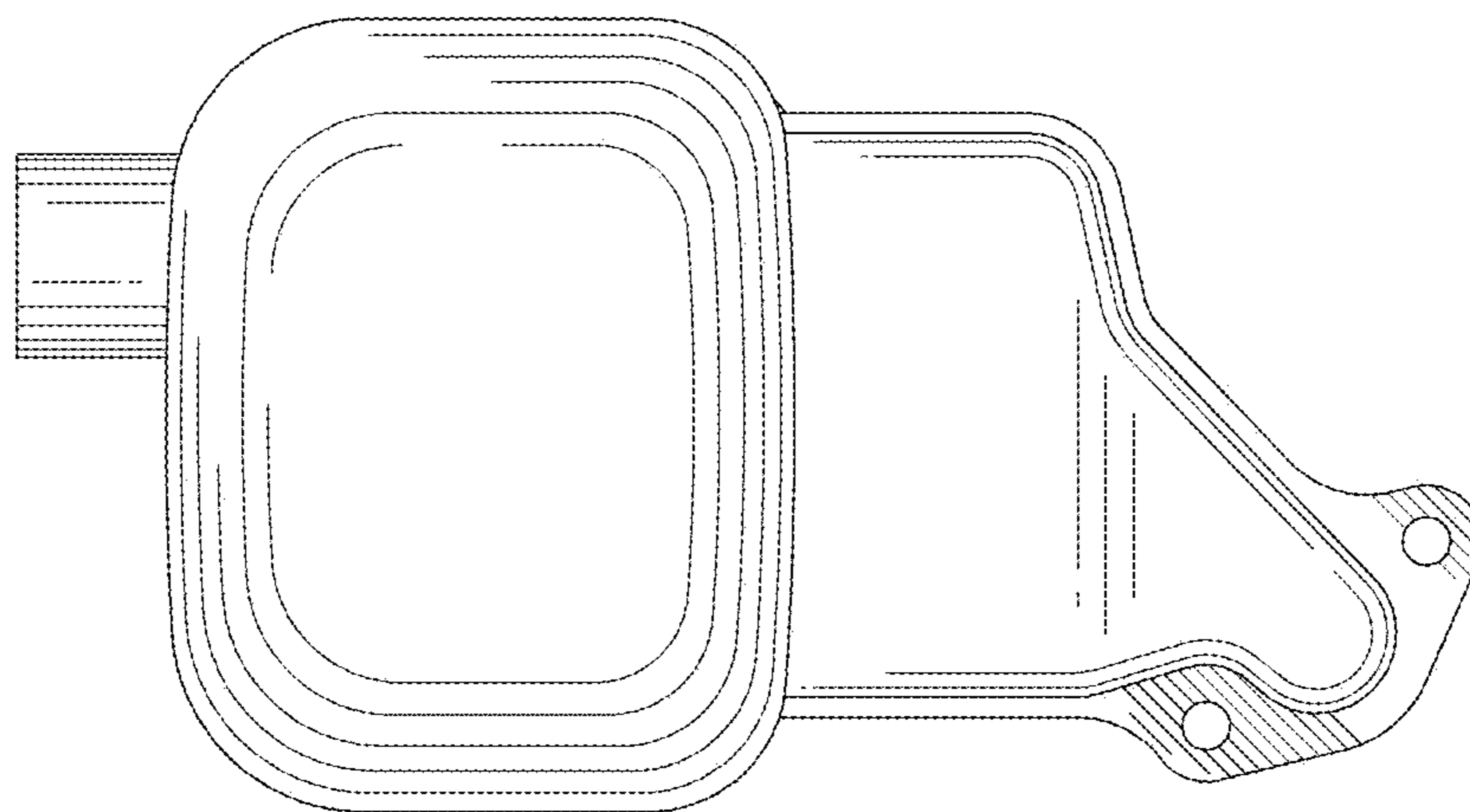


Fig. 10

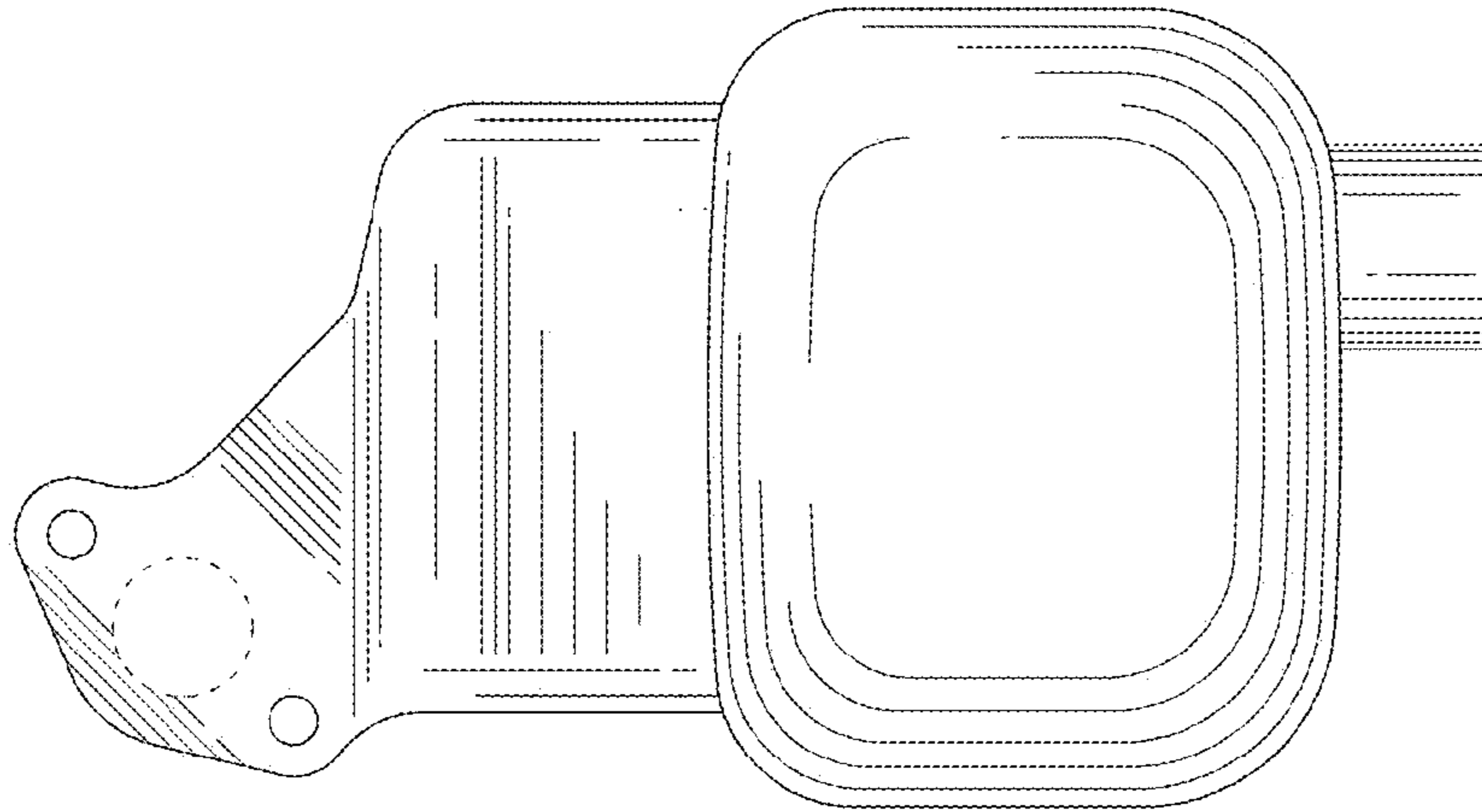


Fig. 11

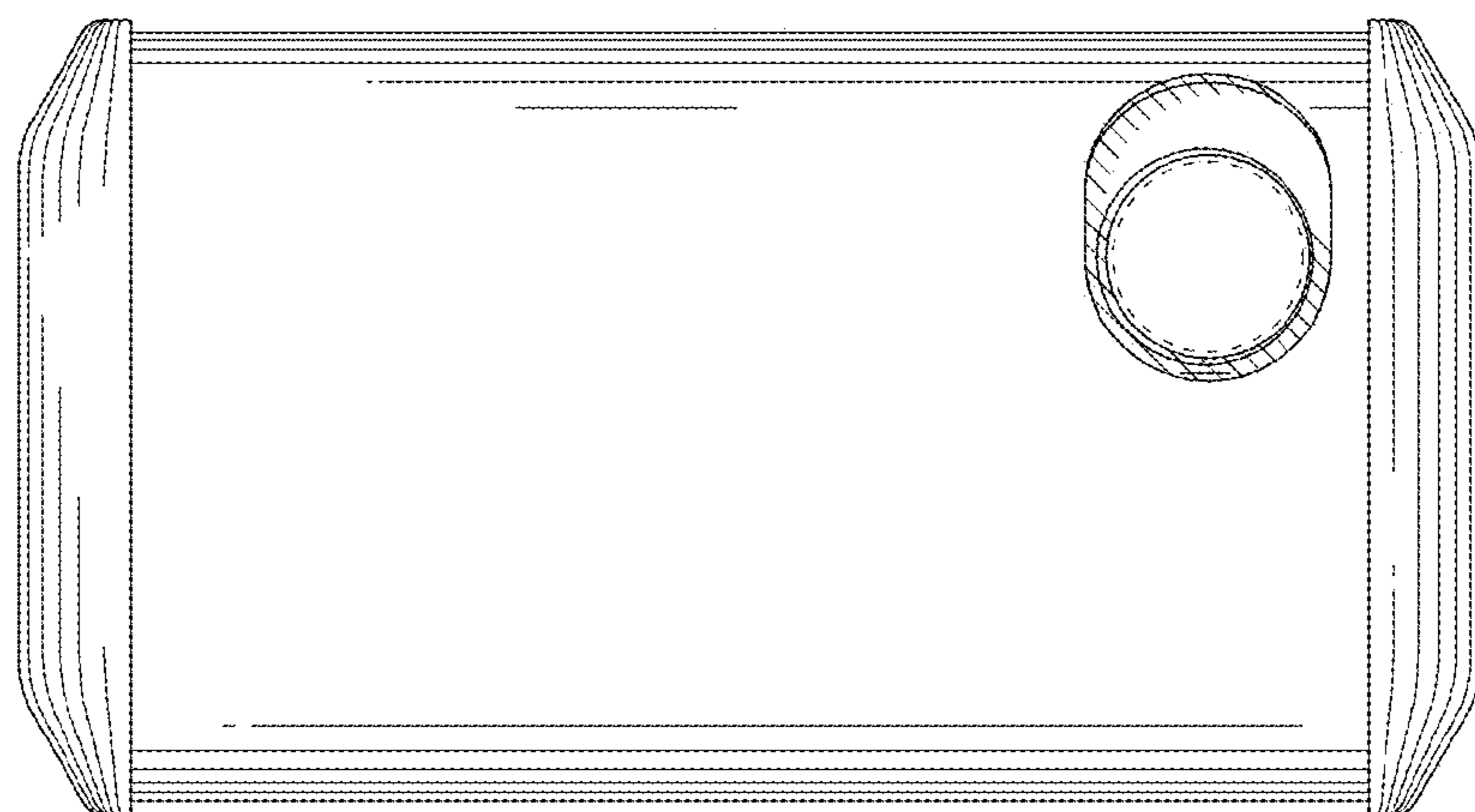


Fig. 12

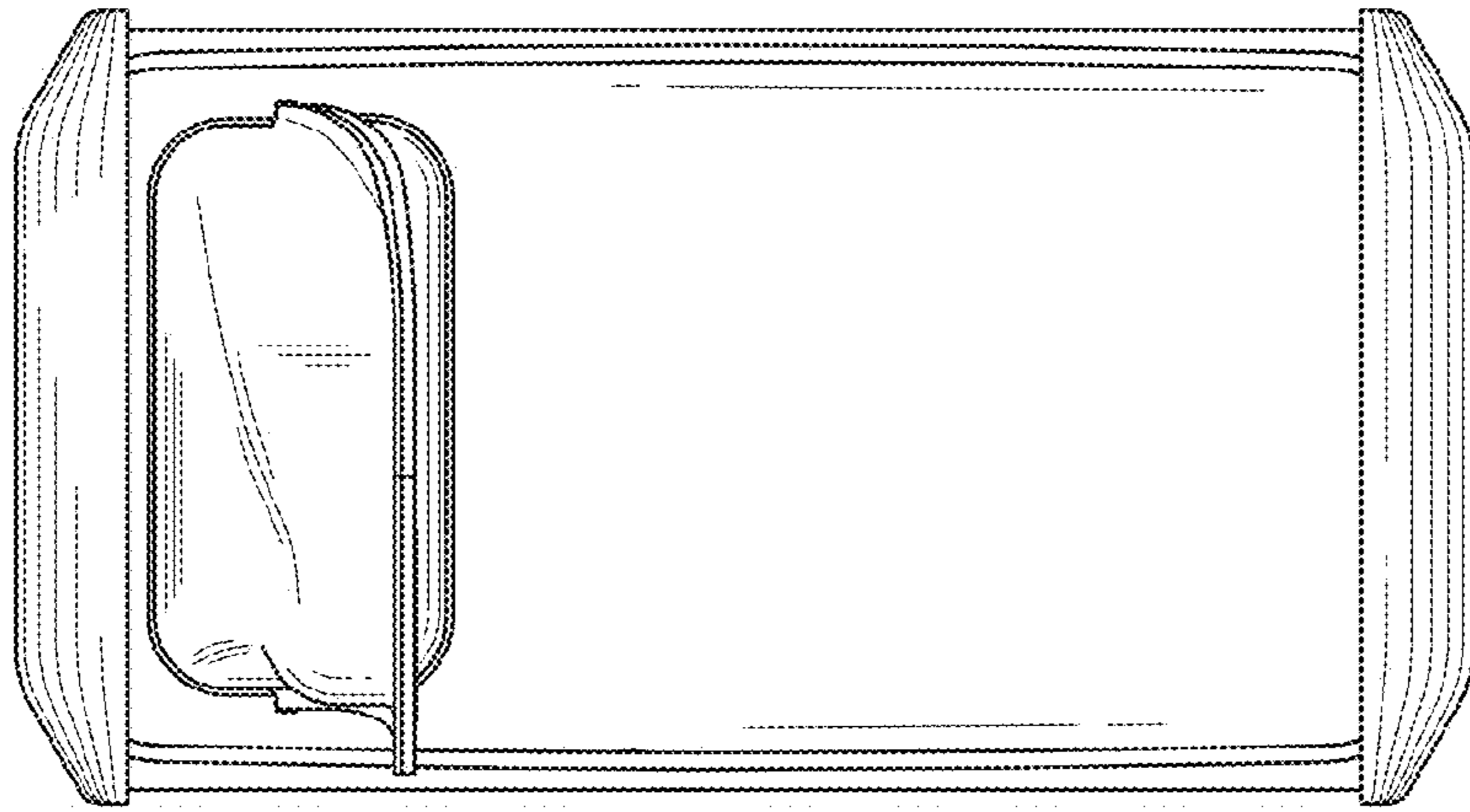


Fig. 13

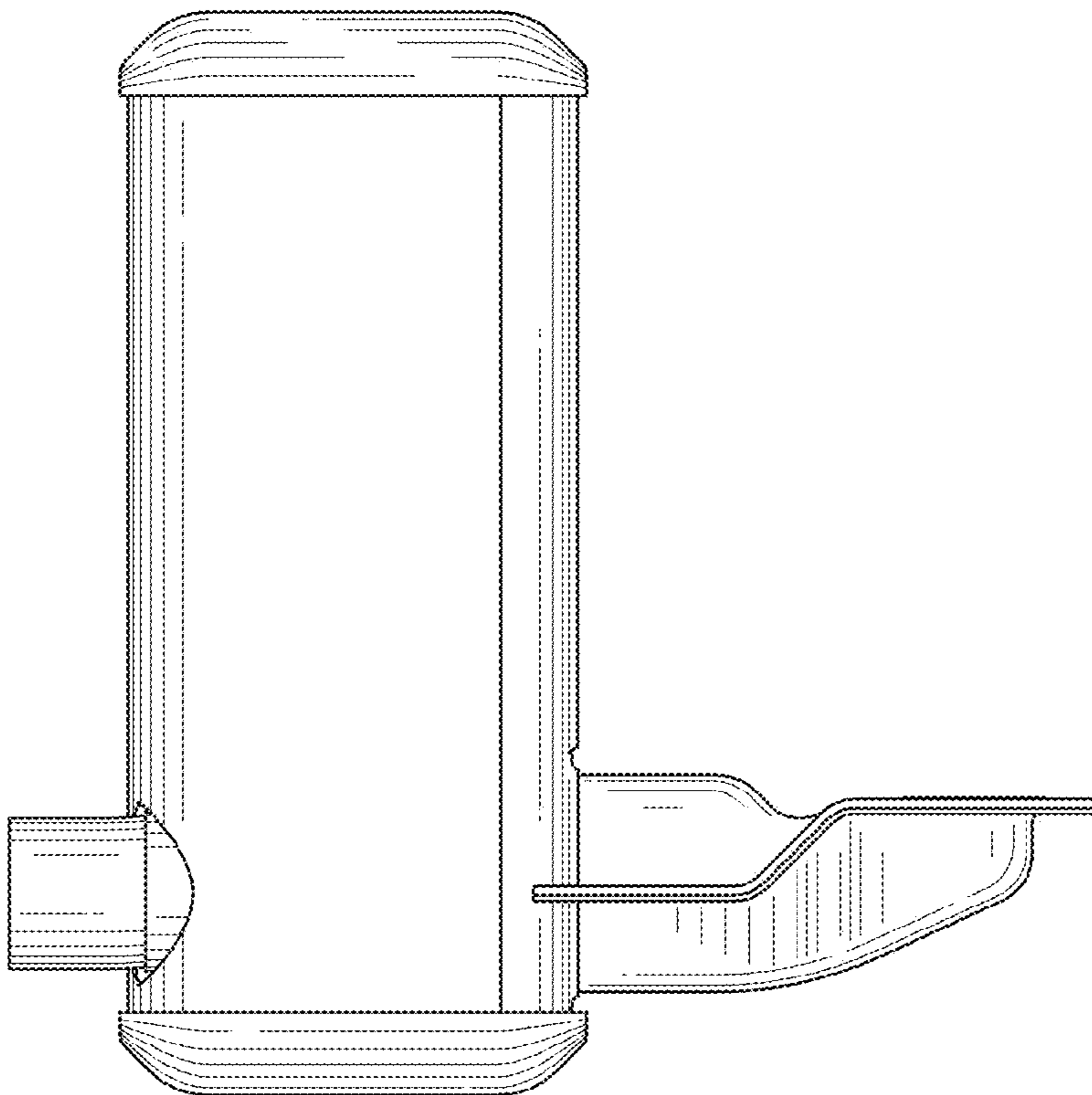


Fig. 14

