



US00D751118S

(12) **United States Design Patent**  
**Suzuki et al.**

(10) **Patent No.:** **US D751,118 S**  
(45) **Date of Patent:** **\*\* Mar. 8, 2016**

(54) **MULTIPURPOSE ENGINE**

(71) Applicants: **Osamu Suzuki**, Shizuoka-ken (JP);  
**Kiyoshi Hashimoto**, Shizuoka-ken (JP);  
**Takashi Fujii**, Shizuoka-ken (JP)

(72) Inventors: **Osamu Suzuki**, Shizuoka-ken (JP);  
**Kiyoshi Hashimoto**, Shizuoka-ken (JP);  
**Takashi Fujii**, Shizuoka-ken (JP)

(73) Assignee: **YAMAHA MOTOR POWER PRODUCTS KABUSHIKI KAISHA**  
(JP)

(\*\*) Term: **14 Years**

(21) Appl. No.: **29/507,839**

(22) Filed: **Oct. 31, 2014**

(51) **LOC (10) Cl.** ..... **15-01**

(52) **U.S. Cl.**  
USPC ..... **D15/1**

(58) **Field of Classification Search**  
USPC ..... D15/1, 2, 3, 5, 6, 14, 17, 149; 123/22,  
123/41.34, 51 A, 606 R, 52.1, 50 A, 50 B,  
123/54.1, 54.2, 54.4, 54.5, 65 R, 195 R,  
123/195 HC, 657, 311  
CPC ..... F01P 5/02; F01P 1/02; F02B 75/007  
See application file for complete search history.

(56) **References Cited**

**U.S. PATENT DOCUMENTS**

D579,026 S \* 10/2008 Busschaert ..... D15/1  
D583,829 S \* 12/2008 Fan ..... D15/1

D584,745 S \* 1/2009 Wei ..... D15/1  
D634,333 S \* 3/2011 Johnson ..... D15/1  
D671,958 S \* 12/2012 Wu ..... D15/1  
D689,522 S \* 9/2013 Johnson ..... D15/1  
D695,317 S \* 12/2013 Yano ..... D15/1  
D709,522 S \* 7/2014 Yano ..... D15/1  
D709,523 S \* 7/2014 Nonaka ..... D15/1  
2014/0338634 A1 \* 11/2014 Mitchell ..... F02D 17/04  
123/332

\* cited by examiner

*Primary Examiner* — T. Chase Nelson

*Assistant Examiner* — Ania Aman

(74) *Attorney, Agent, or Firm* — Ostrolenk Faber LLP

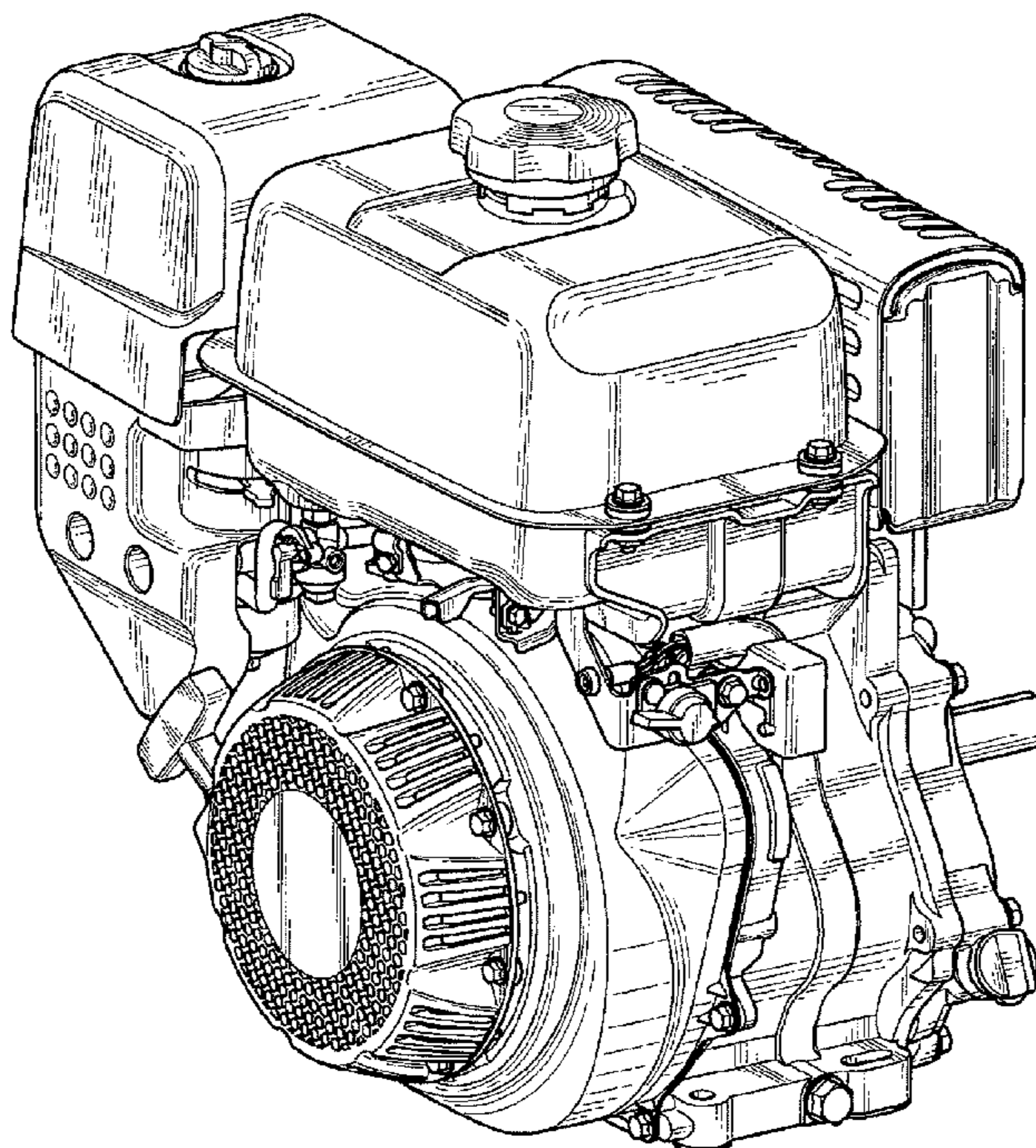
(57) **CLAIM**

The ornamental design for a multipurpose engine, as shown.

**DESCRIPTION**

FIG. 1 is a right side, front, perspective view of a multipurpose engine showing our new design;  
FIG. 2 is a left side, rear perspective view thereof;  
FIG. 3 is a front view thereof;  
FIG. 4 is a rear view thereof;  
FIG. 5 is a left side view thereof;  
FIG. 6 is a right side view thereof;  
FIG. 7 is a top view thereof; and,  
FIG. 8 is a bottom view thereof.  
The broken line shown in the drawings are for the purpose of illustrating portions of the article that form no part of the claimed design.

**1 Claim, 8 Drawing Sheets**



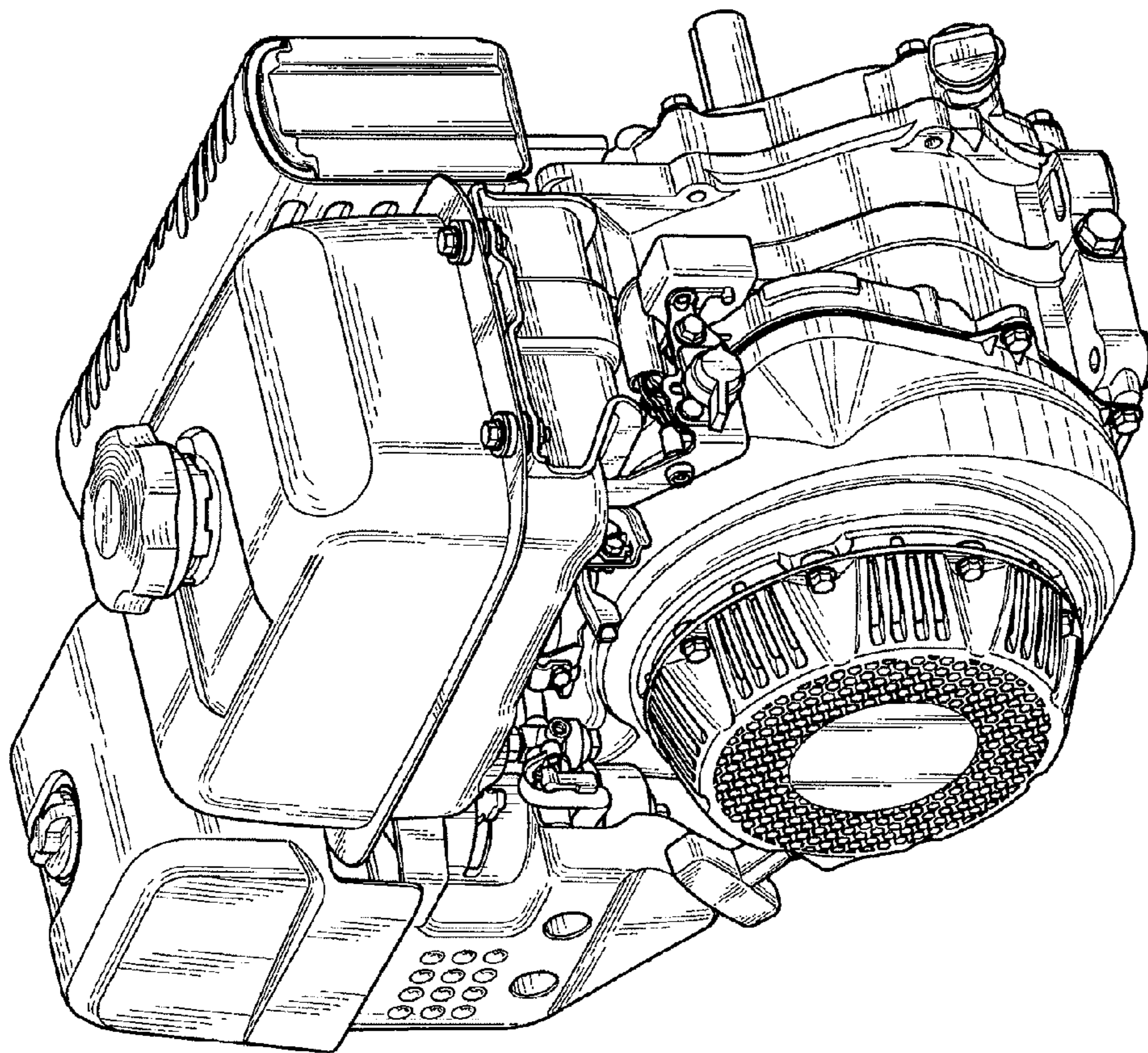


FIG. 1

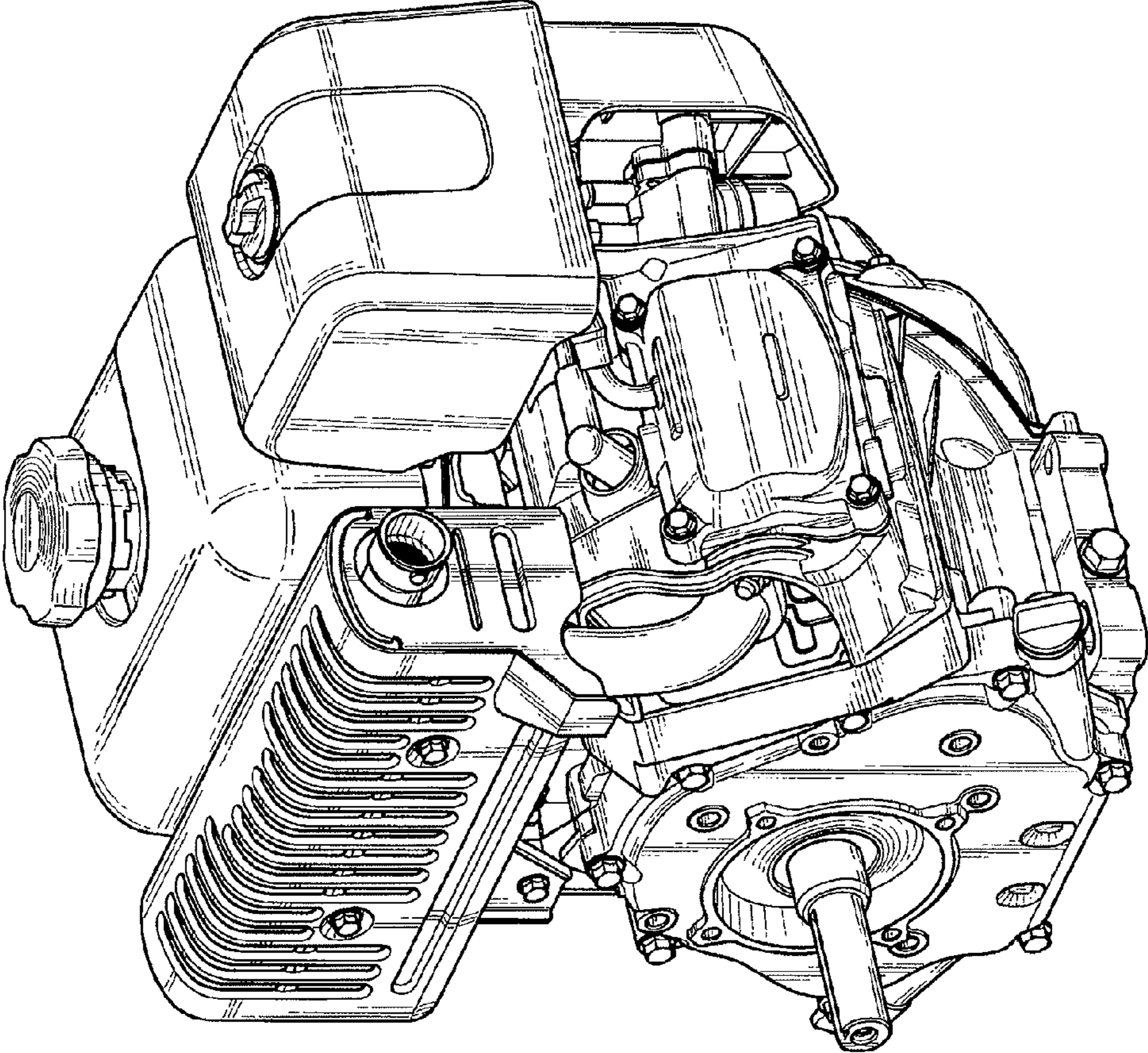


FIG. 2

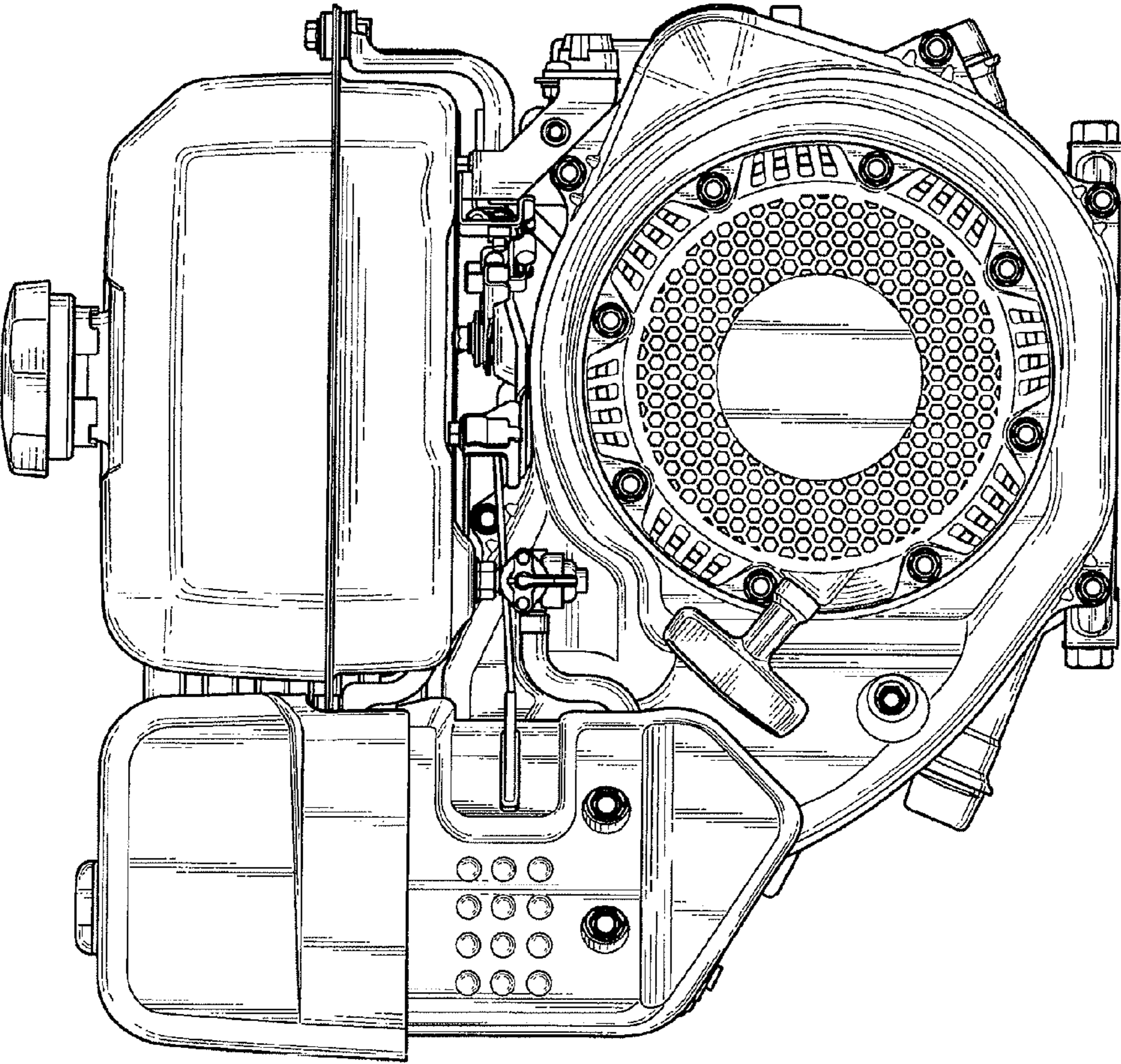


FIG. 3

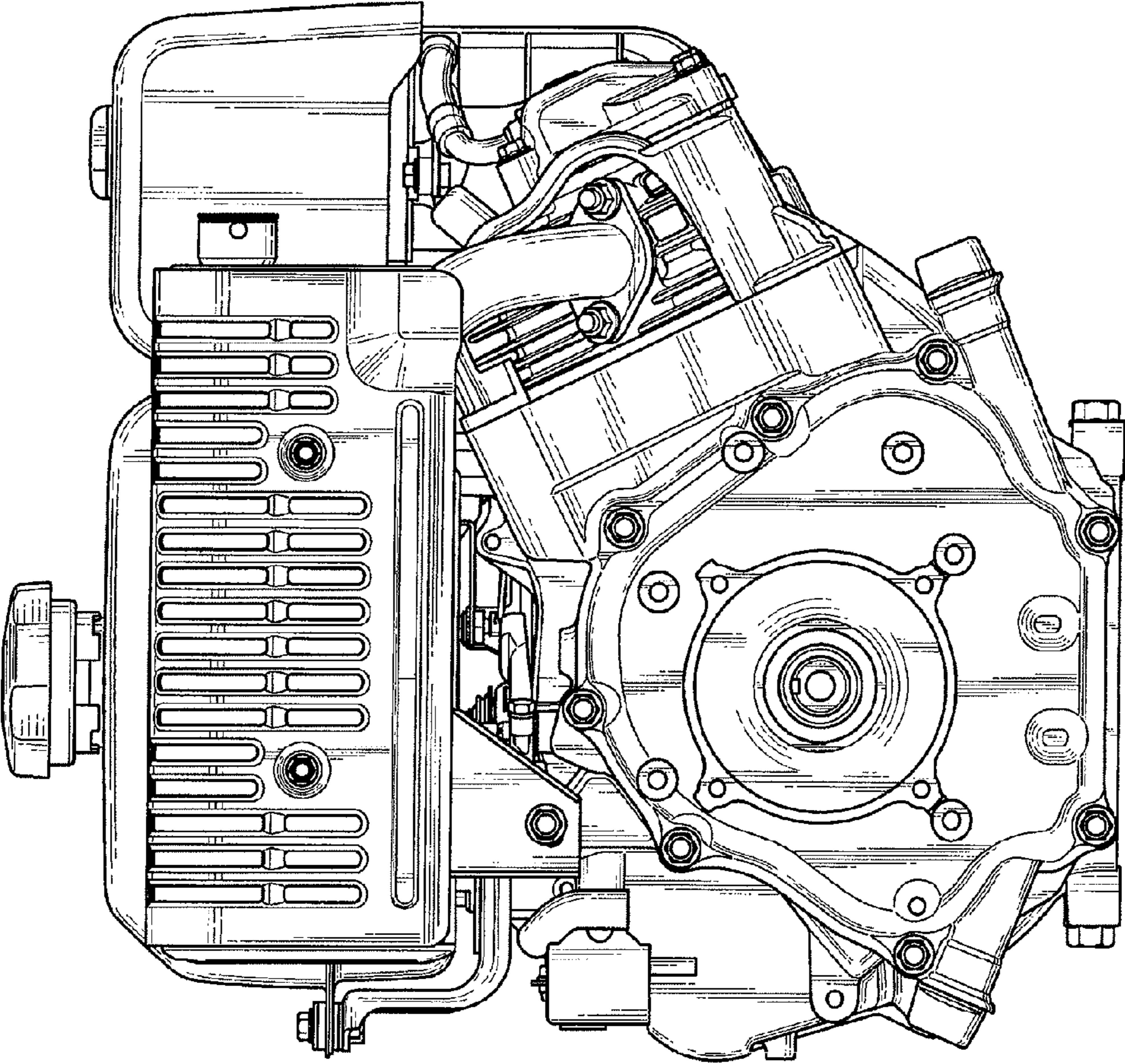


FIG. 4

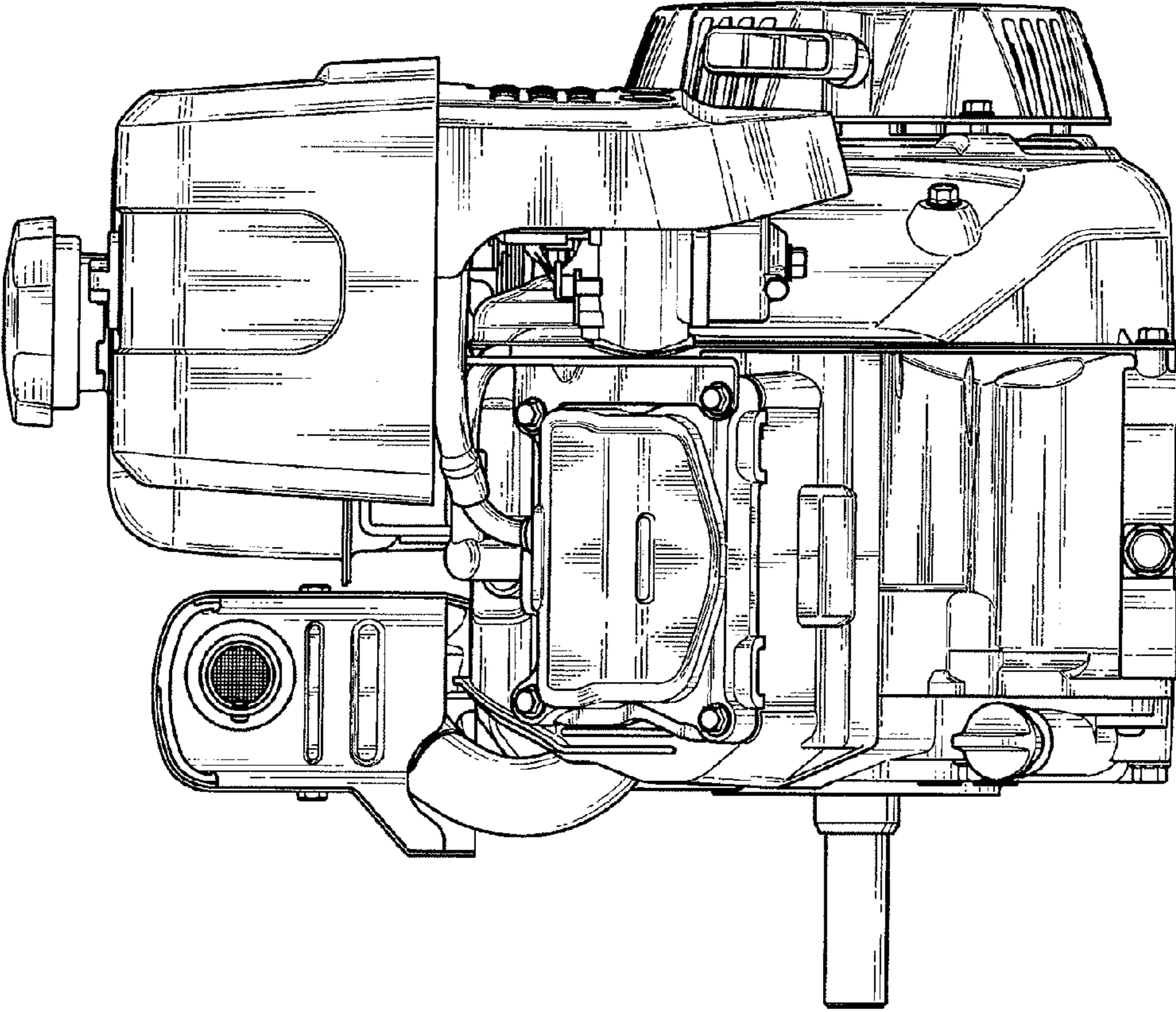


FIG. 5

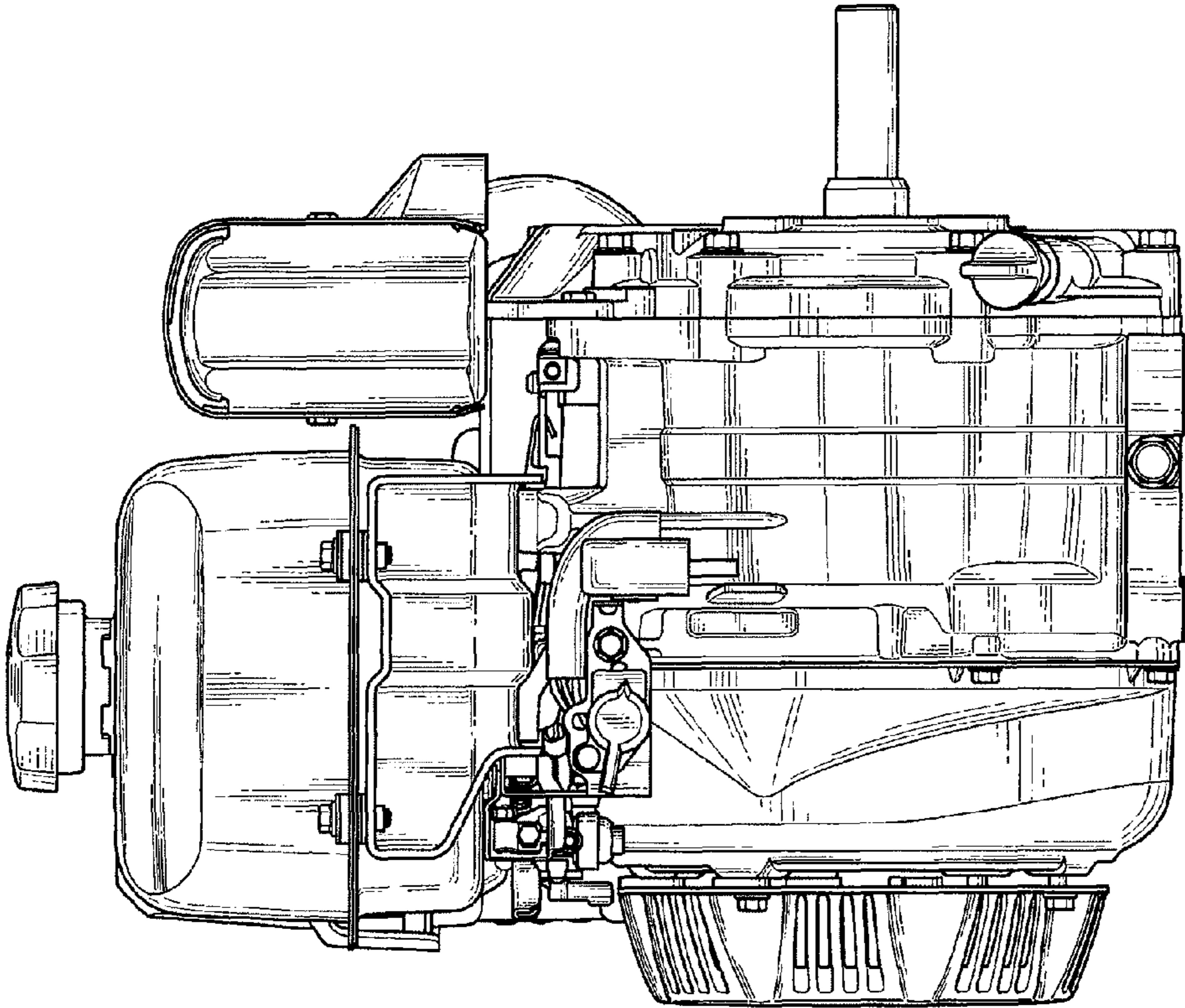


FIG. 6

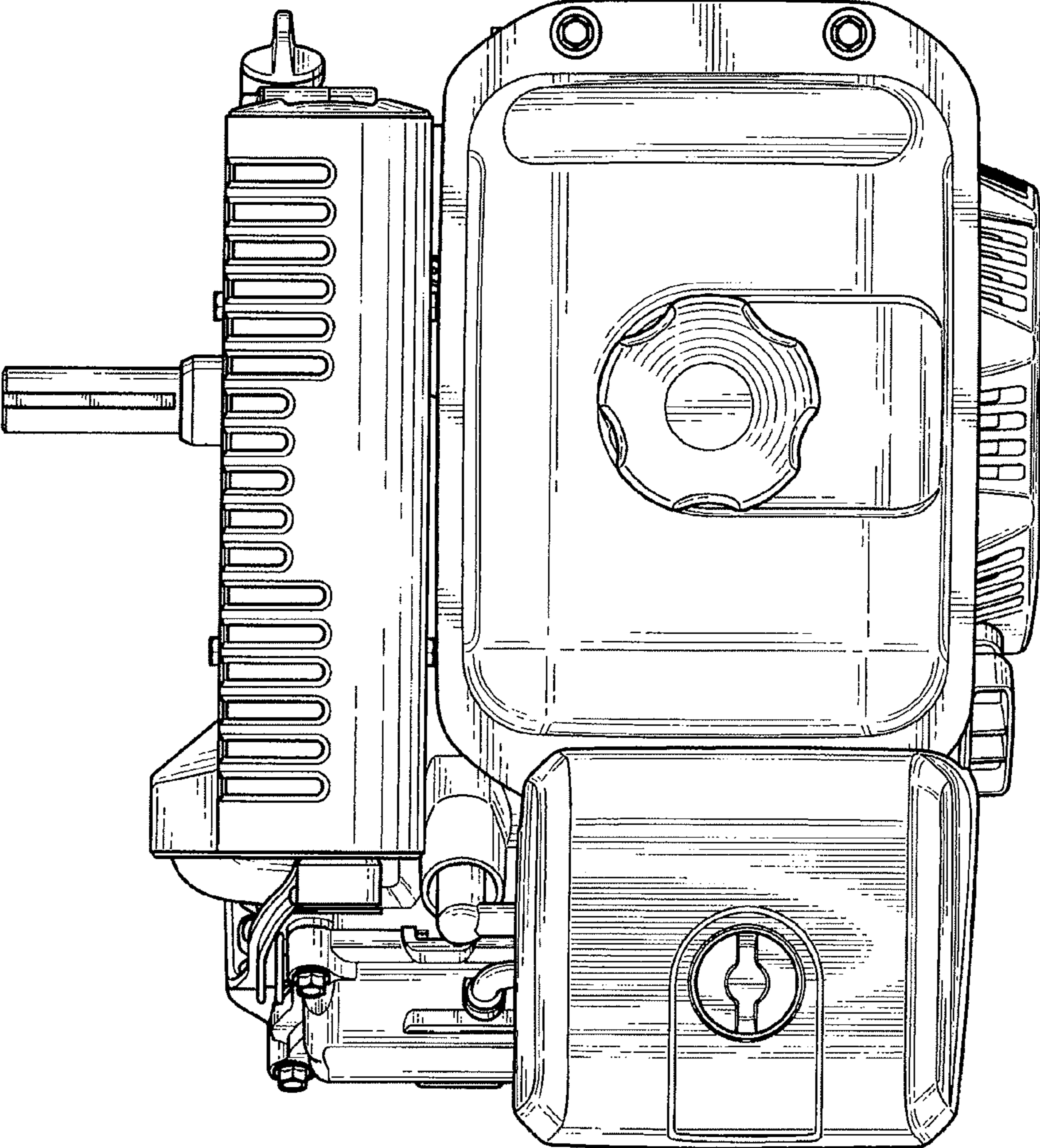


FIG. 7



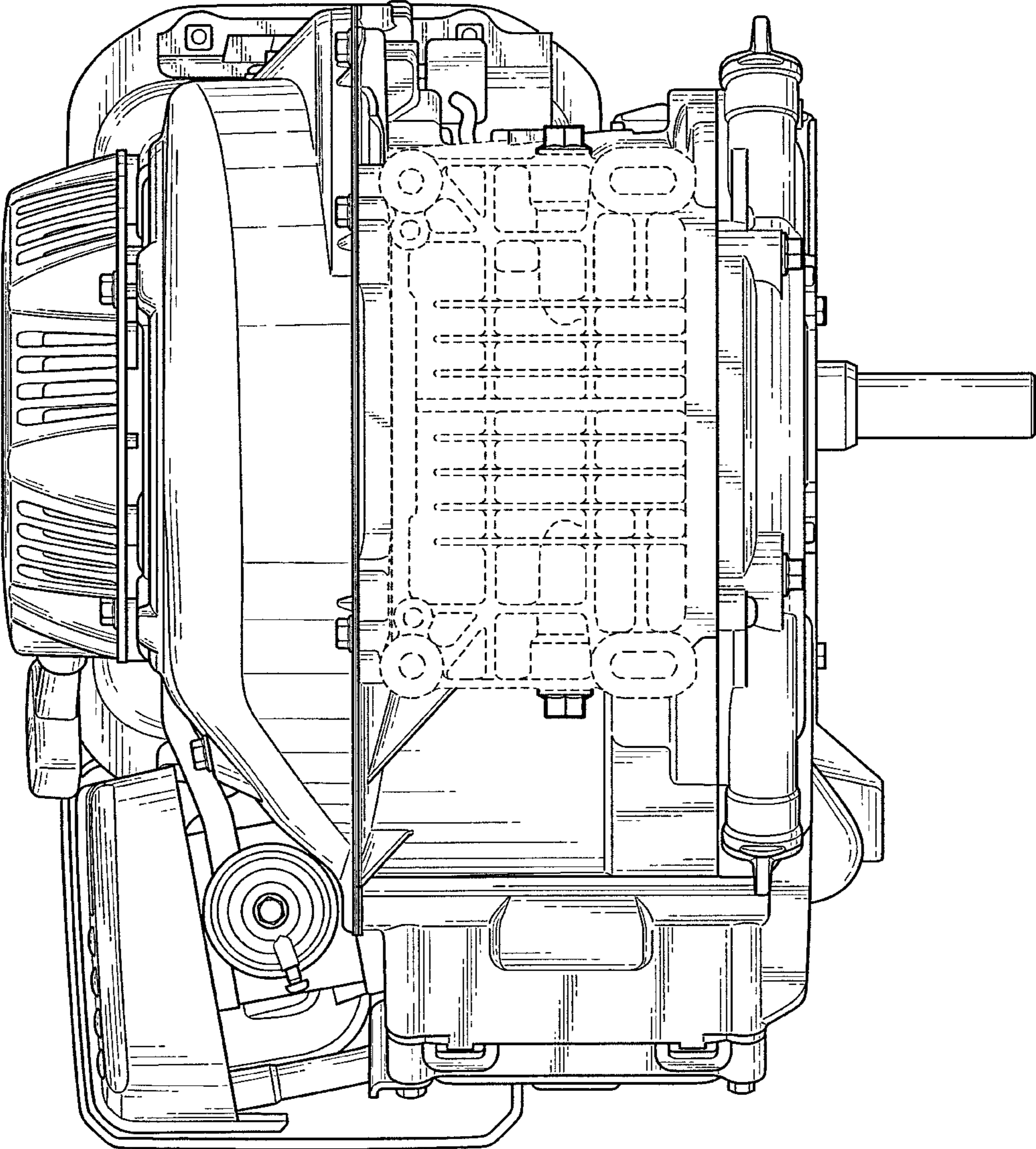


FIG. 8