



US00D751101S

(12) **United States Design Patent**
Ito et al.

(10) **Patent No.:** **US D751,101 S**
(45) **Date of Patent:** **** Mar. 8, 2016**

(54) **DIGITAL CAMERA DISPLAY SCREEN WITH TRANSITIONAL GRAPHICAL USER INTERFACE**

(71) Applicant: **OLYMPUS IMAGING CORP.**, Tokyo (JP)

(72) Inventors: **Kensei Ito**, Sagamihara (JP); **Maki Kawakami**, Tokyo (JP); **Keiji Okada**, Hino (JP)

(73) Assignee: **OLYMPUS CORPORATION**, Tokyo (JP)

(**) Term: **14 Years**

(21) Appl. No.: **29/466,141**

(22) Filed: **Sep. 4, 2013**

(30) **Foreign Application Priority Data**

May 23, 2013 (JP) 2013-011346

(51) **LOC (10) Cl.** **14-04**

(52) **U.S. Cl.**
USPC **D14/486**

(58) **Field of Classification Search**
USPC D14/485–495
CPC G06F 3/0482; G06F 3/04842; G06F 3/04817; G06F 3/048; G06F 17/211; G06F 17/212

See application file for complete search history.

(56) **References Cited**

U.S. PATENT DOCUMENTS

6,002,408	A *	12/1999	Long	345/592
6,549,203	B2 *	4/2003	Randel	345/426
7,180,524	B1 *	2/2007	Axelrod	345/593
D602,945	S *	10/2009	Watanabe et al.	D14/489
D608,786	S *	1/2010	Jasinski	D14/485
D683,743	S *	6/2013	Oshima et al.	D14/486
D704,220	S *	5/2014	Lim et al.	D14/492
D728,616	S *	5/2015	Gomez et al.	D14/491
D733,715	S *	7/2015	Sakata et al.	D14/447

(Continued)

Primary Examiner — Kevin Rudzinski

Assistant Examiner — John Reickel

(74) *Attorney, Agent, or Firm* — Holtz, Holtz & Volek PC

(57) **CLAIM**

The ornamental design for a digital camera display screen with transitional graphical user interface, as shown and described.

DESCRIPTION

FIG. 1 is a front, top and right side perspective view of a digital camera display screen with transitional graphical user interface showing our new design;

FIG. 2 is a front elevational view thereof;

FIG. 3 is a rear elevational view thereof showing a first image of the digital camera display screen with transitional graphical user interface;

FIG. 4 is a top plan view thereof;

FIG. 5 is a bottom plan view thereof;

FIG. 6 is a right side elevational view thereof;

FIG. 7 is a left side elevational view thereof;

FIG. 8 is a rear elevational view thereof showing a second transitional image of the digital camera display screen with transitional graphical user interface, transitioning from FIG. 3, constituting a first embodiment of the invention;

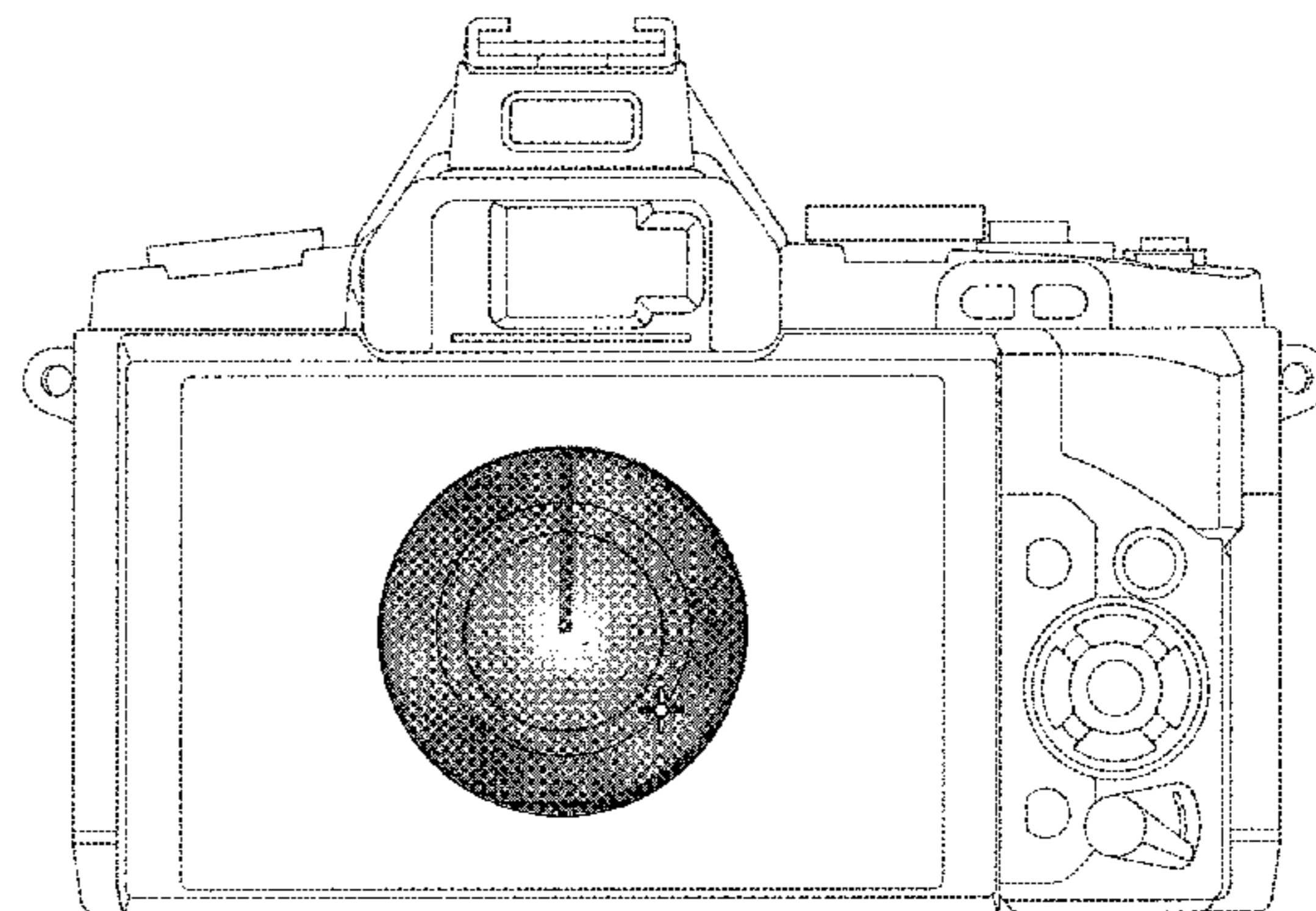
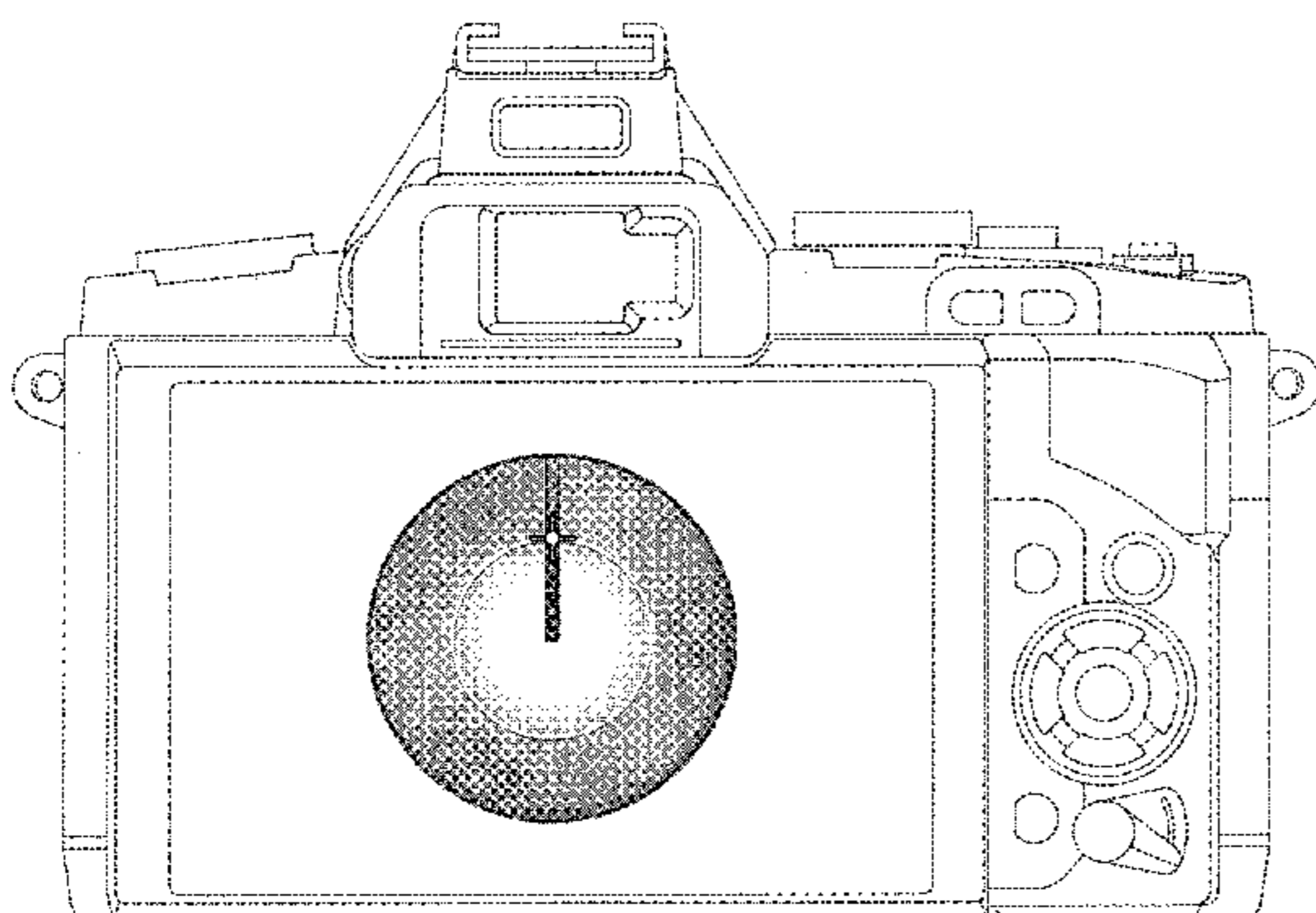
FIG. 9 is a rear elevational view thereof showing a second image of the digital camera display screen with transitional graphical user interface, transitioning from FIG. 3, constituting a second embodiment of the invention; and,

FIG. 10 is a rear elevational view thereof showing a second image of the digital camera display screen with transitional graphical user interface, transitioning from FIG. 3, constituting a third embodiment of the invention.

The process or period in which one image transitions to another image forms no part of the claimed design.

The broken line showing of the digital camera is for the purpose of illustrating environmental subject matter and forms no part of the claimed design.

1 Claim, 8 Drawing Sheets



US D751,101 S

Page 2

(56)

References Cited

U.S. PATENT DOCUMENTS

2009/0293014	A1*	11/2009	Meuninck et al.	715/810
2014/0181716	A1*	6/2014	Merritt et al.	715/771
2015/0106753	A1*	4/2015	Tran et al.	715/765

2005/0183027 A1* 8/2005 Jaeger 715/767 * cited by examiner

FIG.1

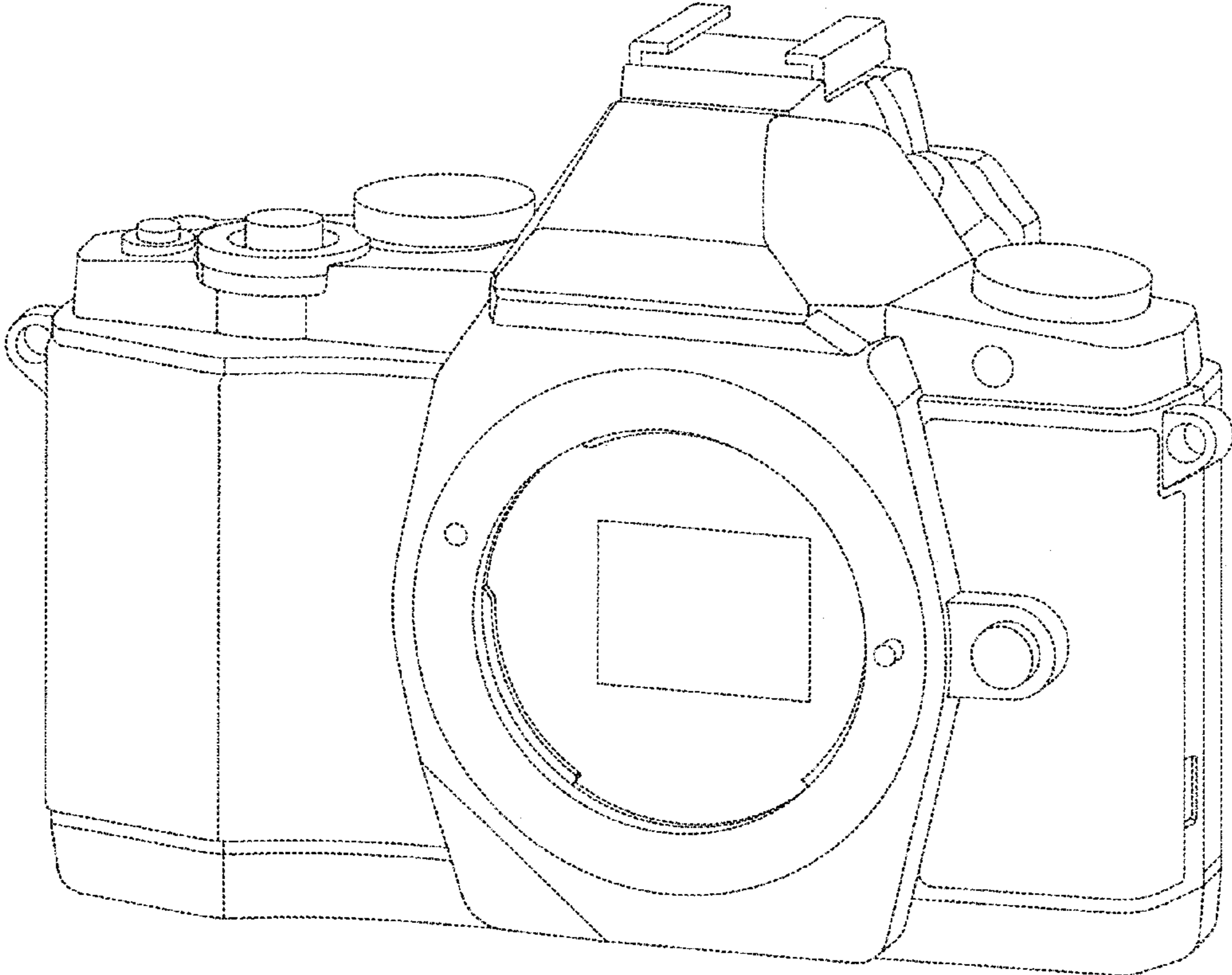


FIG.2

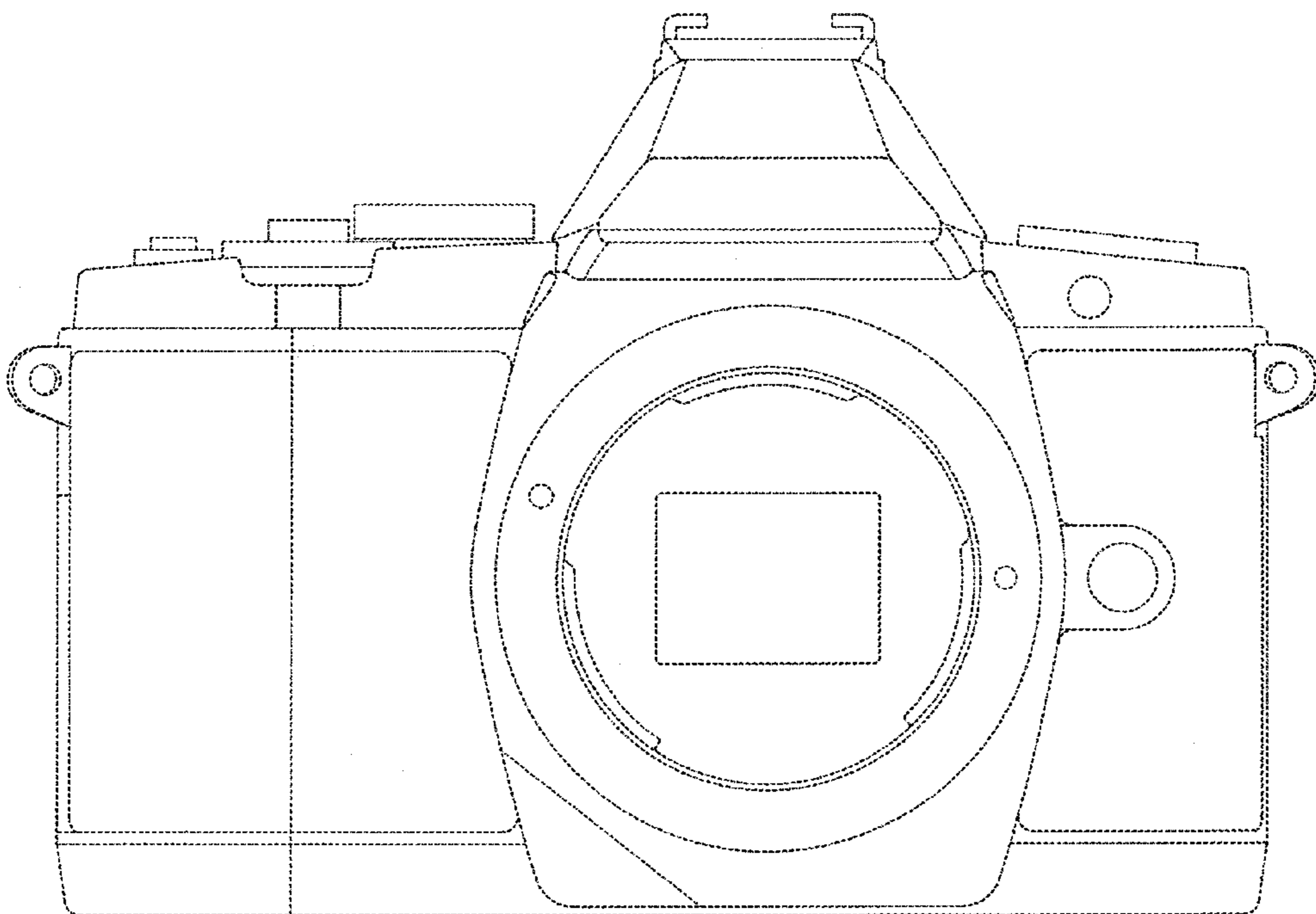


FIG.3

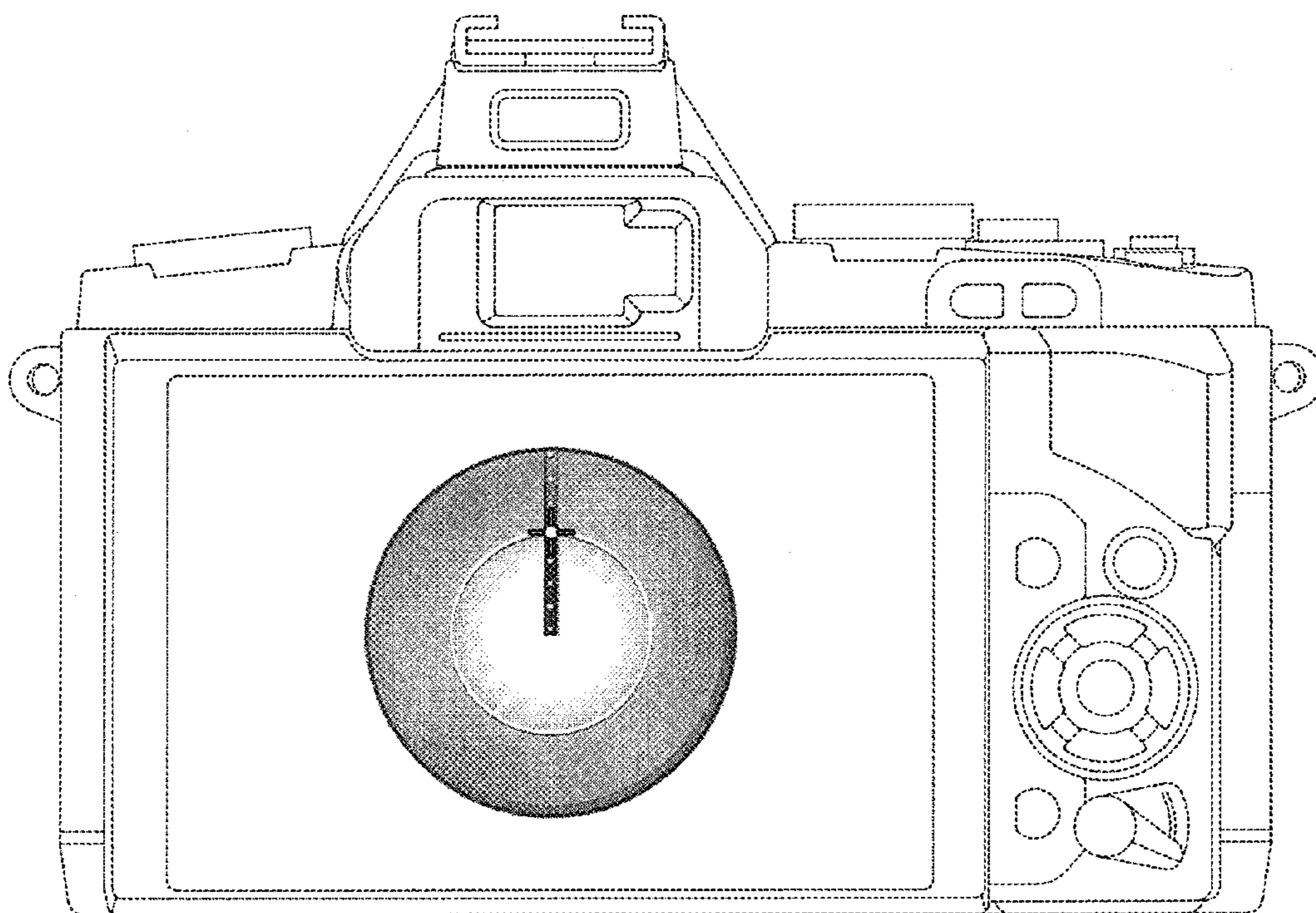


FIG.4

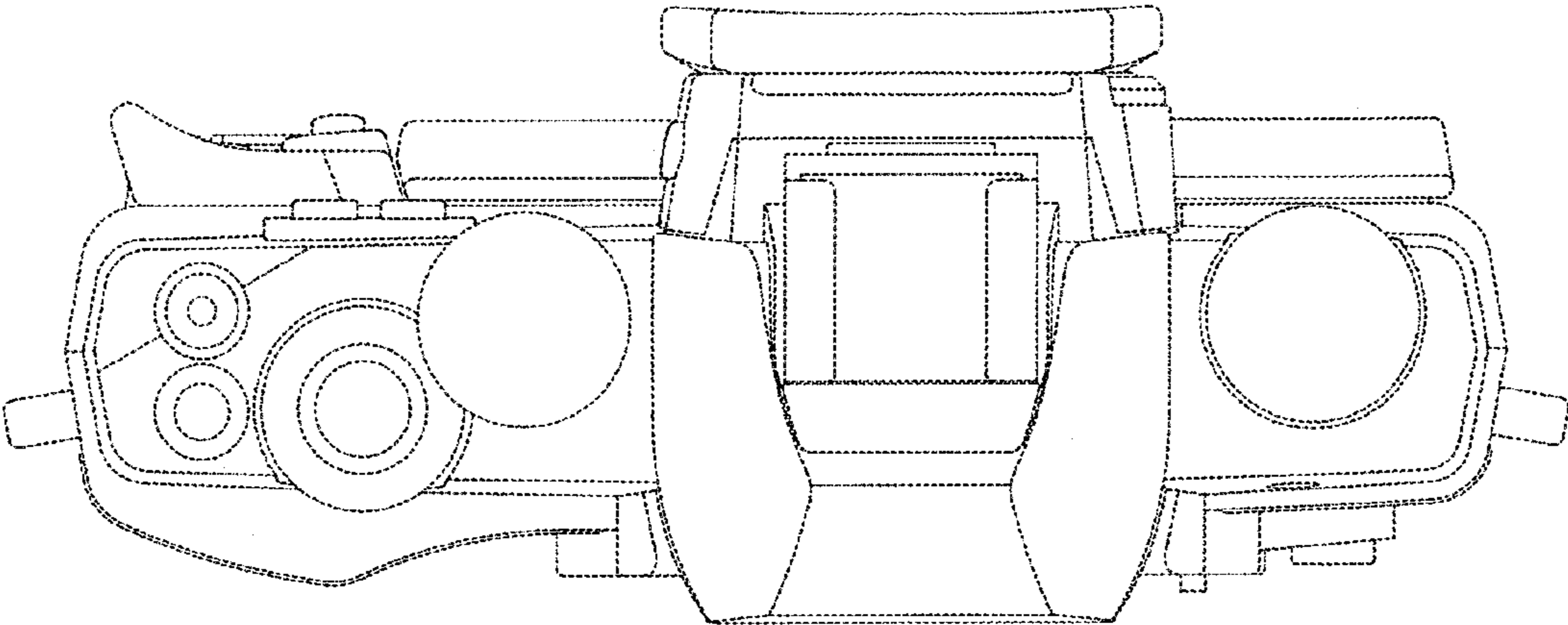


FIG.5

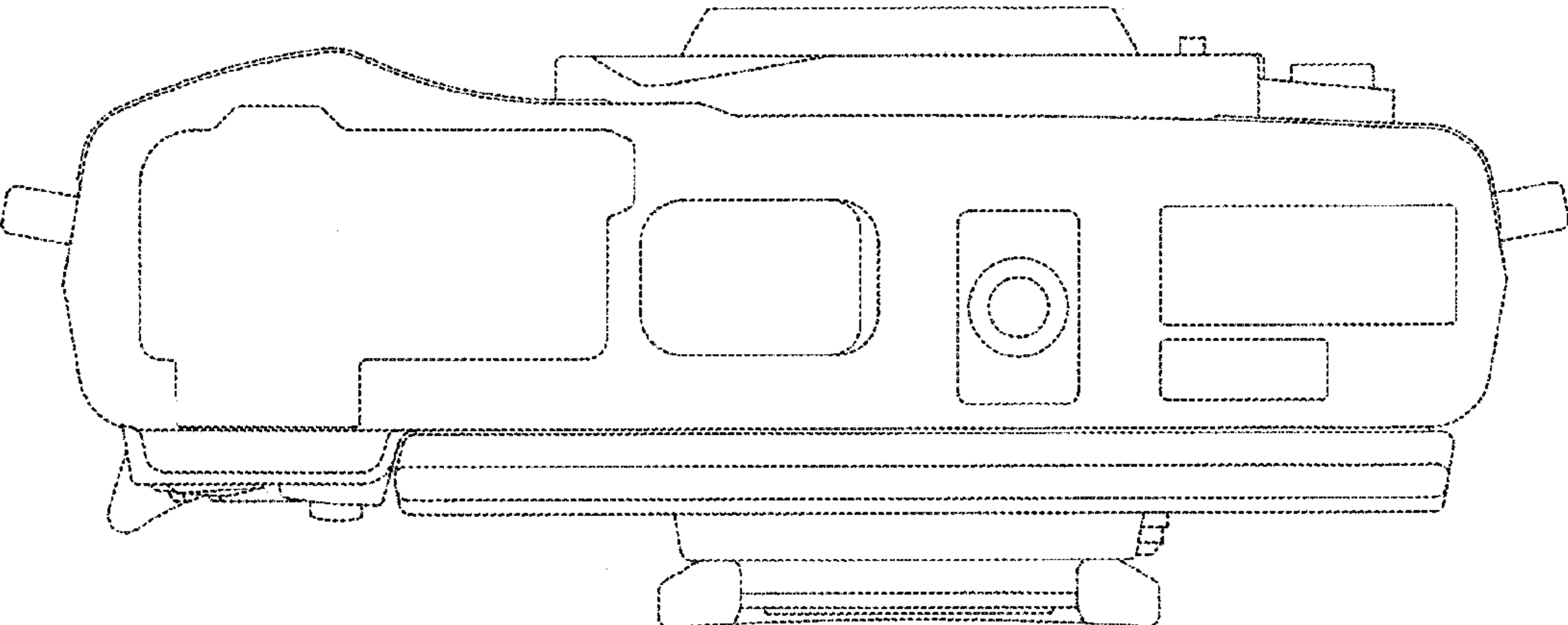


FIG.6

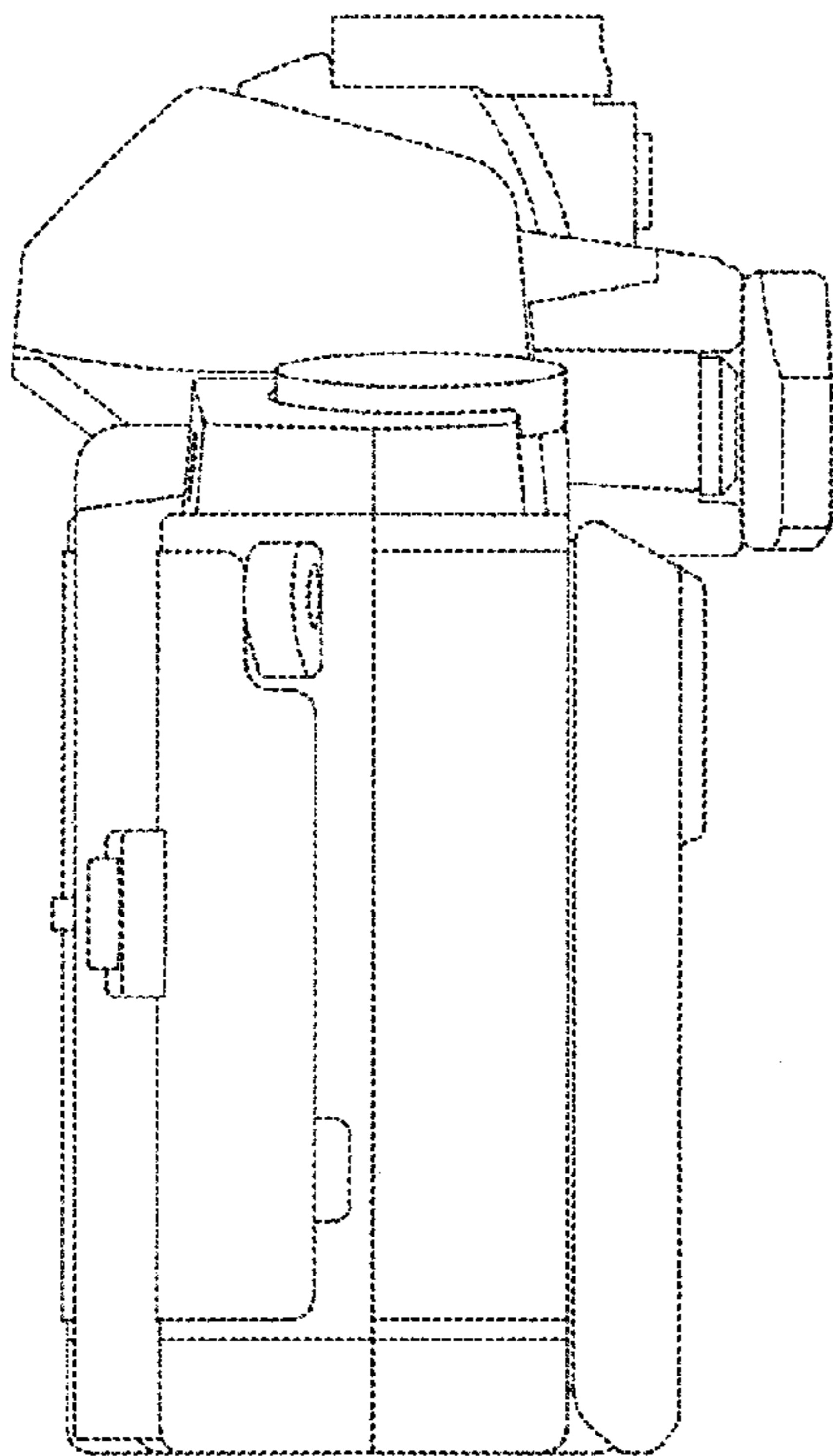


FIG.7

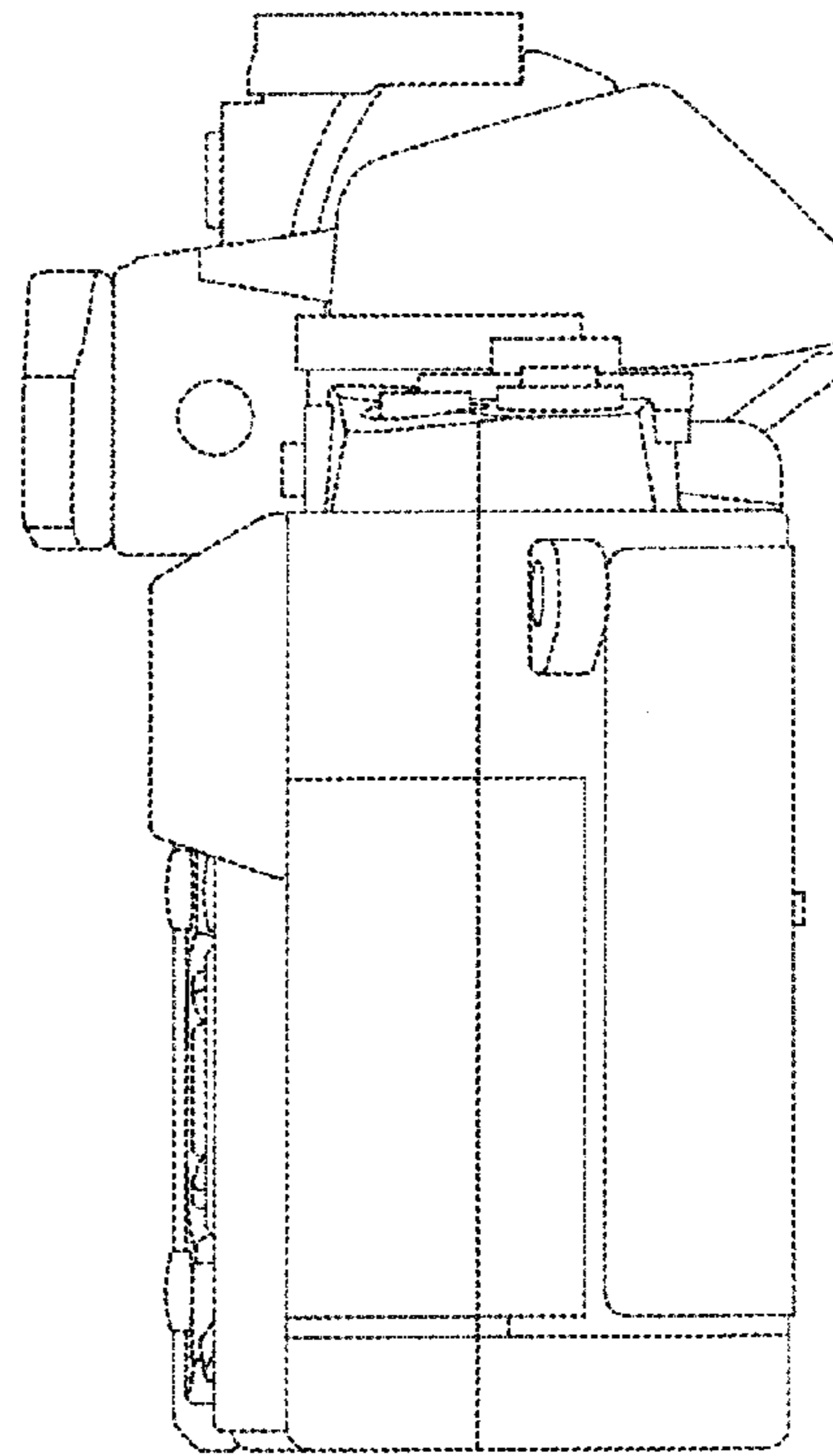


FIG. 8

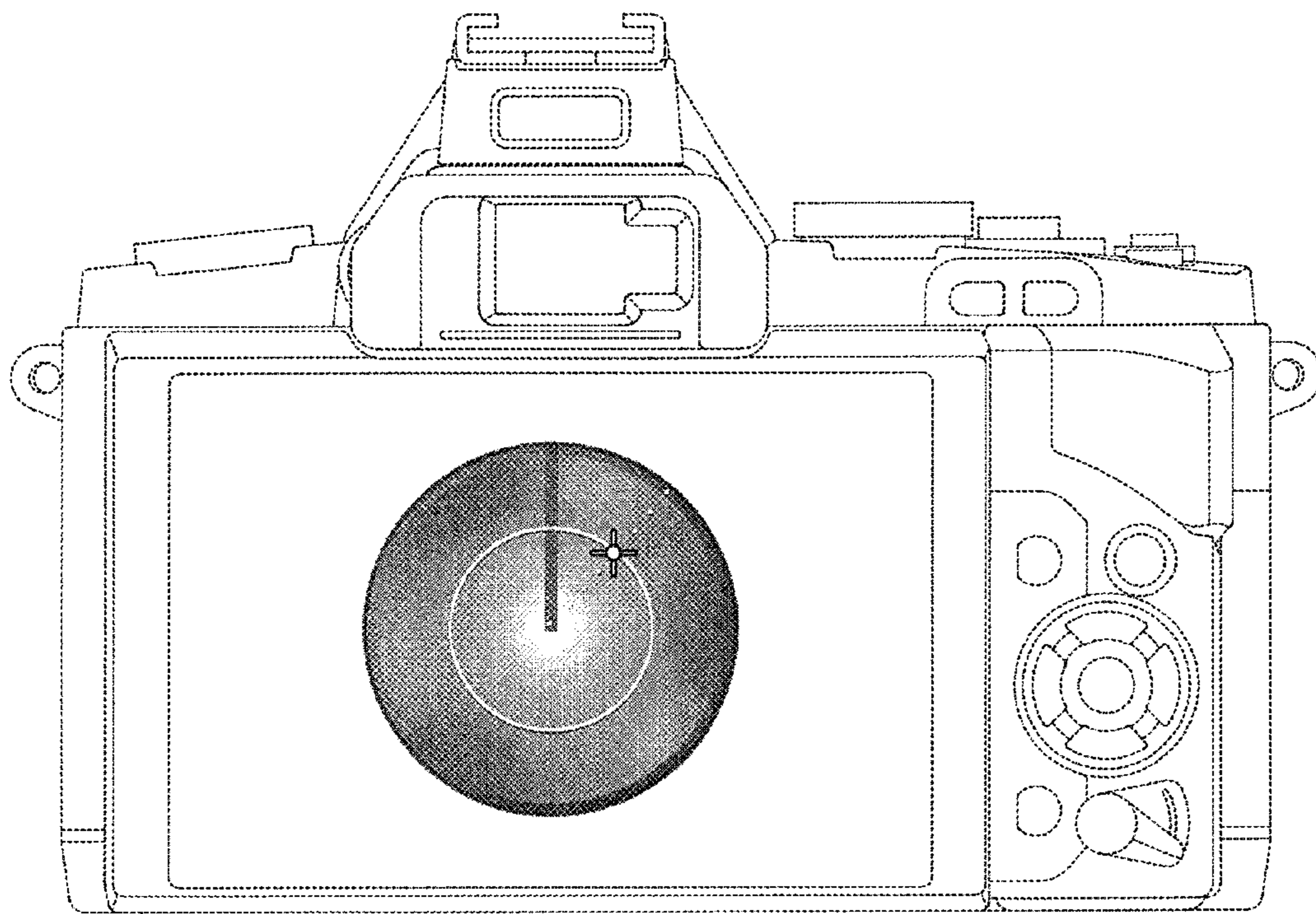


FIG.9

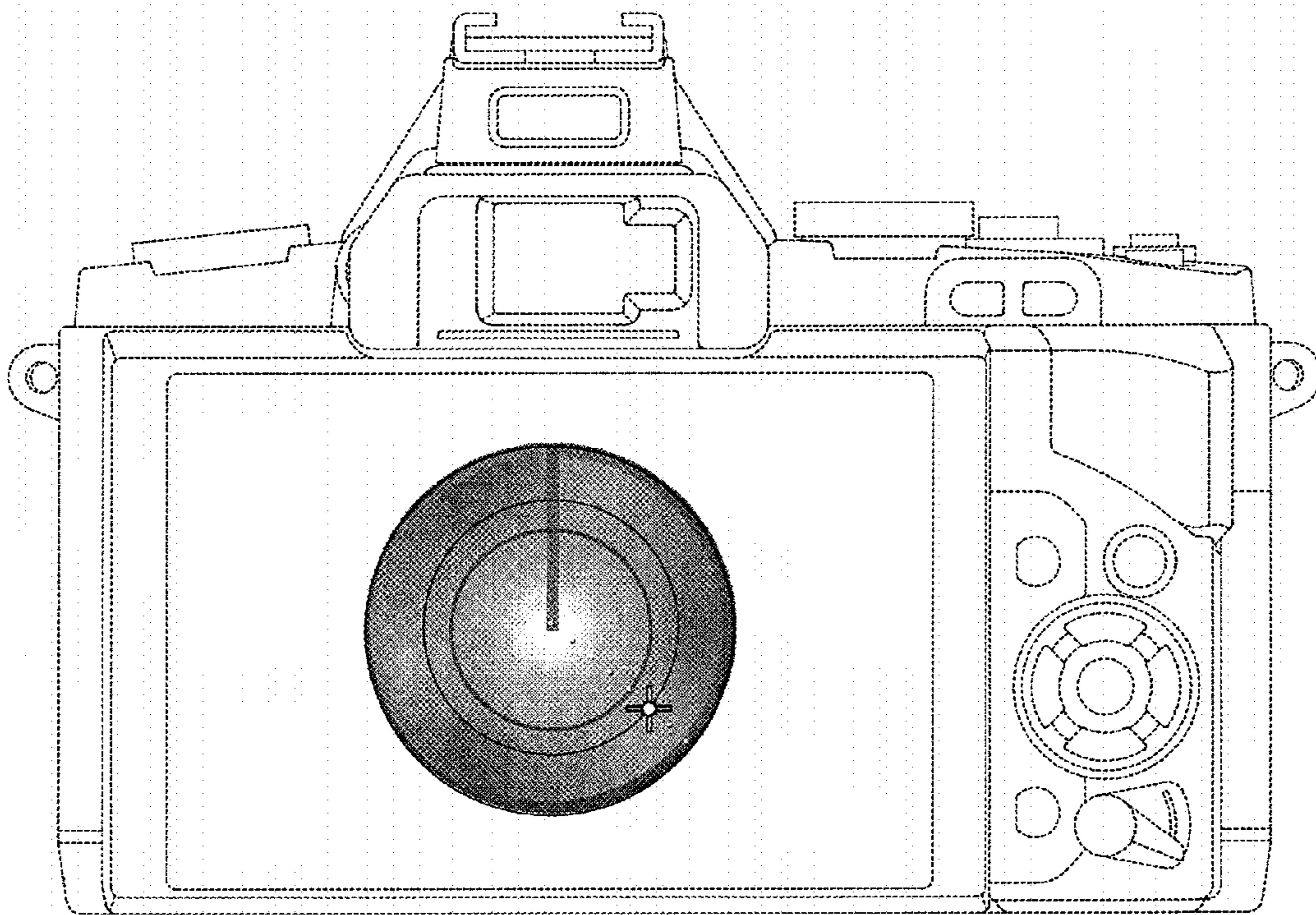


FIG.10

