



US00D751080S

(12) **United States Design Patent**  
**Kelly**

(10) **Patent No.:** **US D751,080 S**  
(45) **Date of Patent:** **\*\* Mar. 8, 2016**

- (54) **END PORT COVER**
- (71) Applicant: **Andrew Kelly**, Loughborough (GB)
- (72) Inventor: **Andrew Kelly**, Loughborough (GB)
- (73) Assignee: **Intelligent Energy Limited**,  
Loughborough (GB)
- (\*\*) Term: **14 Years**
- (21) Appl. No.: **29/462,700**
- (22) Filed: **Aug. 7, 2013**
- (51) **LOC (10) Cl.** ..... **14-02**
- (52) **U.S. Cl.**  
USPC ..... **D14/439**
- (58) **Field of Classification Search**  
USPC ..... D14/356, 432-434, 453, 454, 511,  
D14/203.8, 209.1, 238.1, 240, 125, 435.1;  
439/638, 928, 105, 502; 710/303, 304,  
710/305; 361/679.41, 679.55, 679.56;  
D13/110, 133, 146, 108; 320/111  
CPC ..... G06K 19/005; G06K 19/07732; H05K  
5/0278; G09F 23/10  
See application file for complete search history.

D714,293 S \* 9/2014 Kelly et al. .... D14/433  
D716,729 S \* 11/2014 Kelly et al. .... D13/110  
D721,037 S \* 1/2015 Kelly ..... D13/137.1  
2003/0225954 A1\* 12/2003 Wu ..... 710/305

**FOREIGN PATENT DOCUMENTS**

TW D133182 2/2010  
TW D154227 6/2012

**OTHER PUBLICATIONS**

Notice of Allowance dated Nov. 27, 2014, issued in Taiwan Design Application No. 103300711.

\* cited by examiner

*Primary Examiner* — Austin Murphy  
(74) *Attorney, Agent, or Firm* — Baker & Hostetler LLP

(57) **CLAIM**

The ornamental design for an end port cover, as shown and described.

**DESCRIPTION**

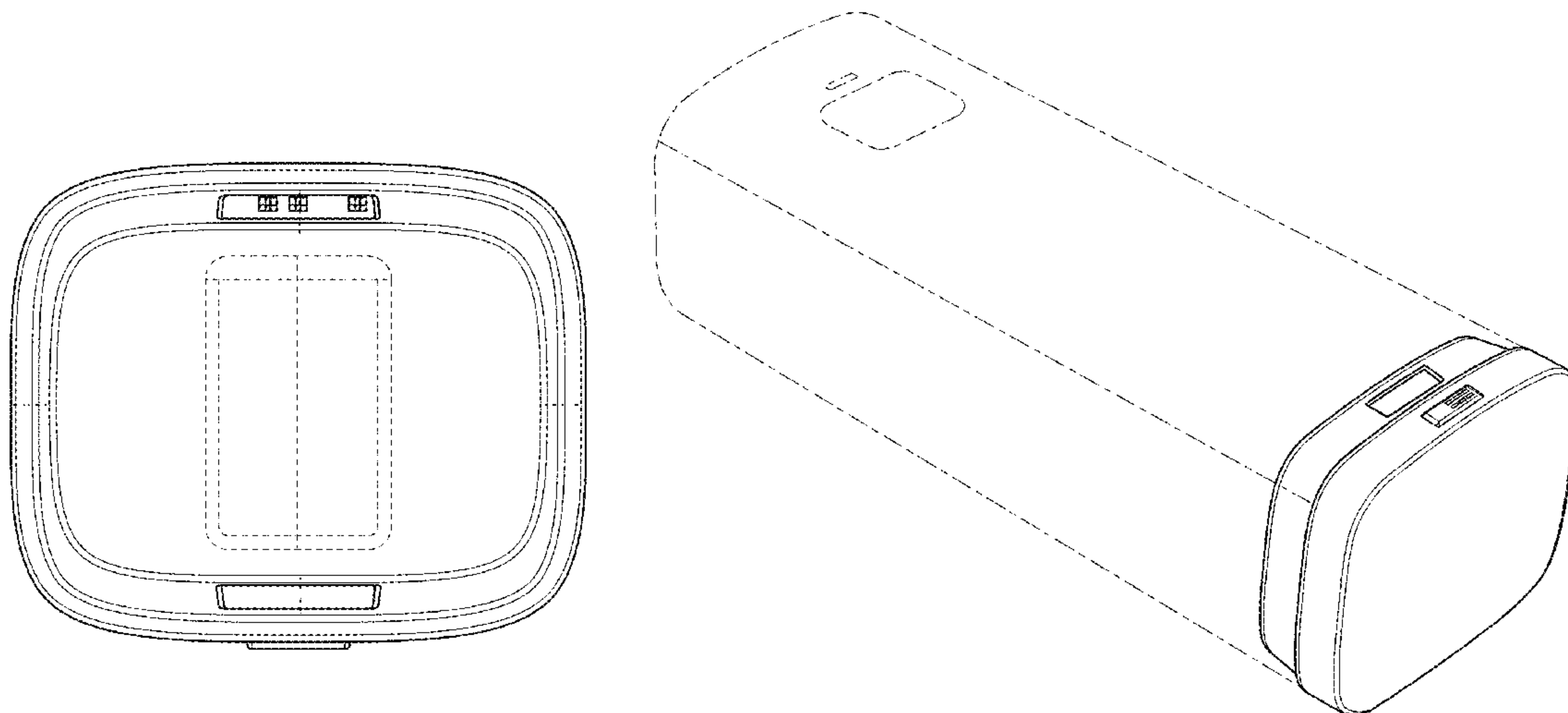
FIG. 1 is a top view of an end port cover showing my new design;  
FIG. 2 is a side view of an end port cover showing my new design;  
FIG. 3 is a side view of an end port cover showing my new design;  
FIG. 4 is a side view of an end port cover showing my new design; and,  
FIG. 5 is a perspective view bottom towards bottom of my new design.  
The broken lines shown represent unclaimed subject matter and form no part of the claimed design.

(56) **References Cited**

**U.S. PATENT DOCUMENTS**

5,179,501 A \* 1/1993 Ocken et al. .... 361/709  
5,568,006 A \* 10/1996 Luff et al. .... 310/348  
D504,109 S 4/2005 Hagman et al.  
D658,580 S 5/2012 Gebski  
D673,497 S \* 1/2013 Rosenzweig et al. .... D13/101  
D678,191 S \* 3/2013 Fitch et al. .... D13/108  
D702,182 S \* 4/2014 Druker et al. .... D13/110

**1 Claim, 2 Drawing Sheets**



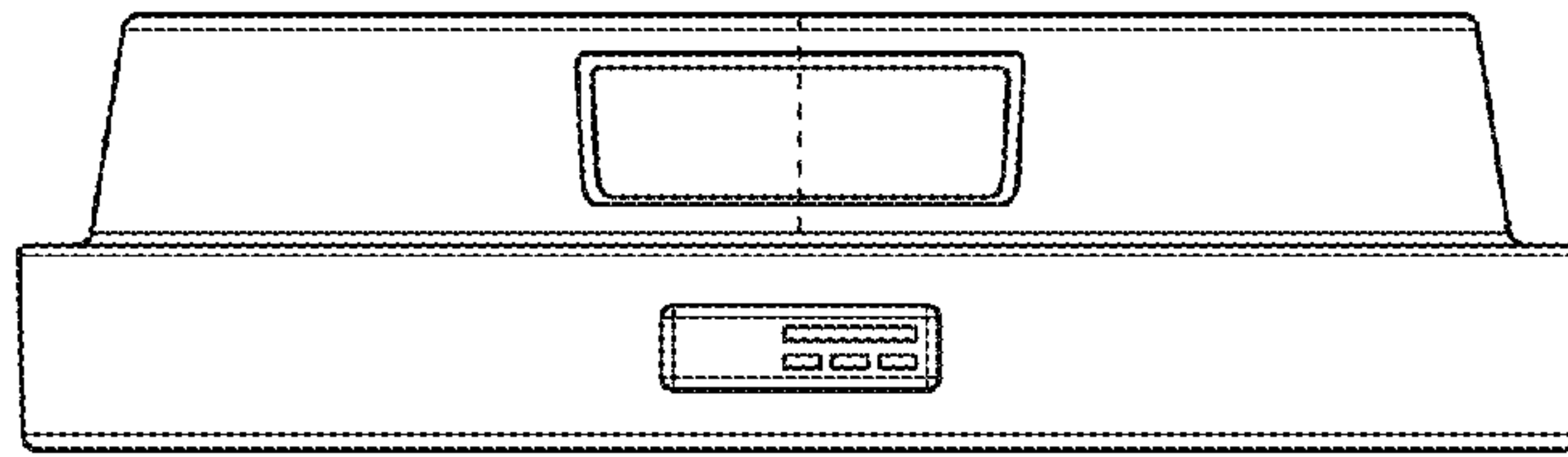


FIG. 2

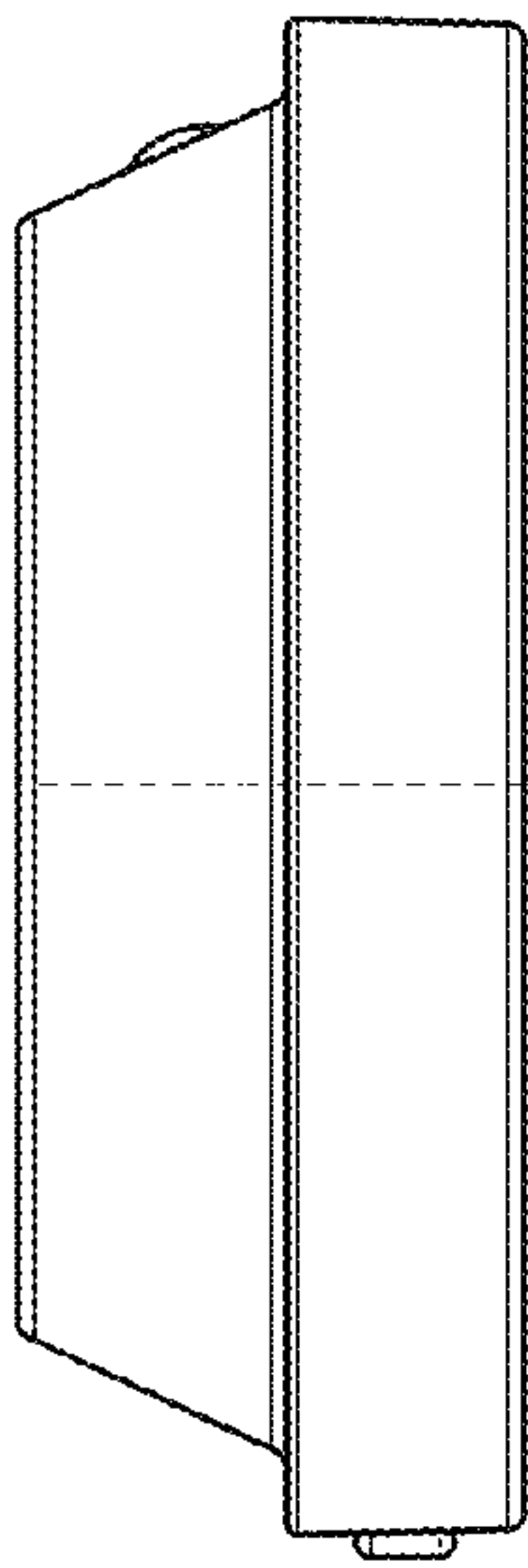


FIG. 3

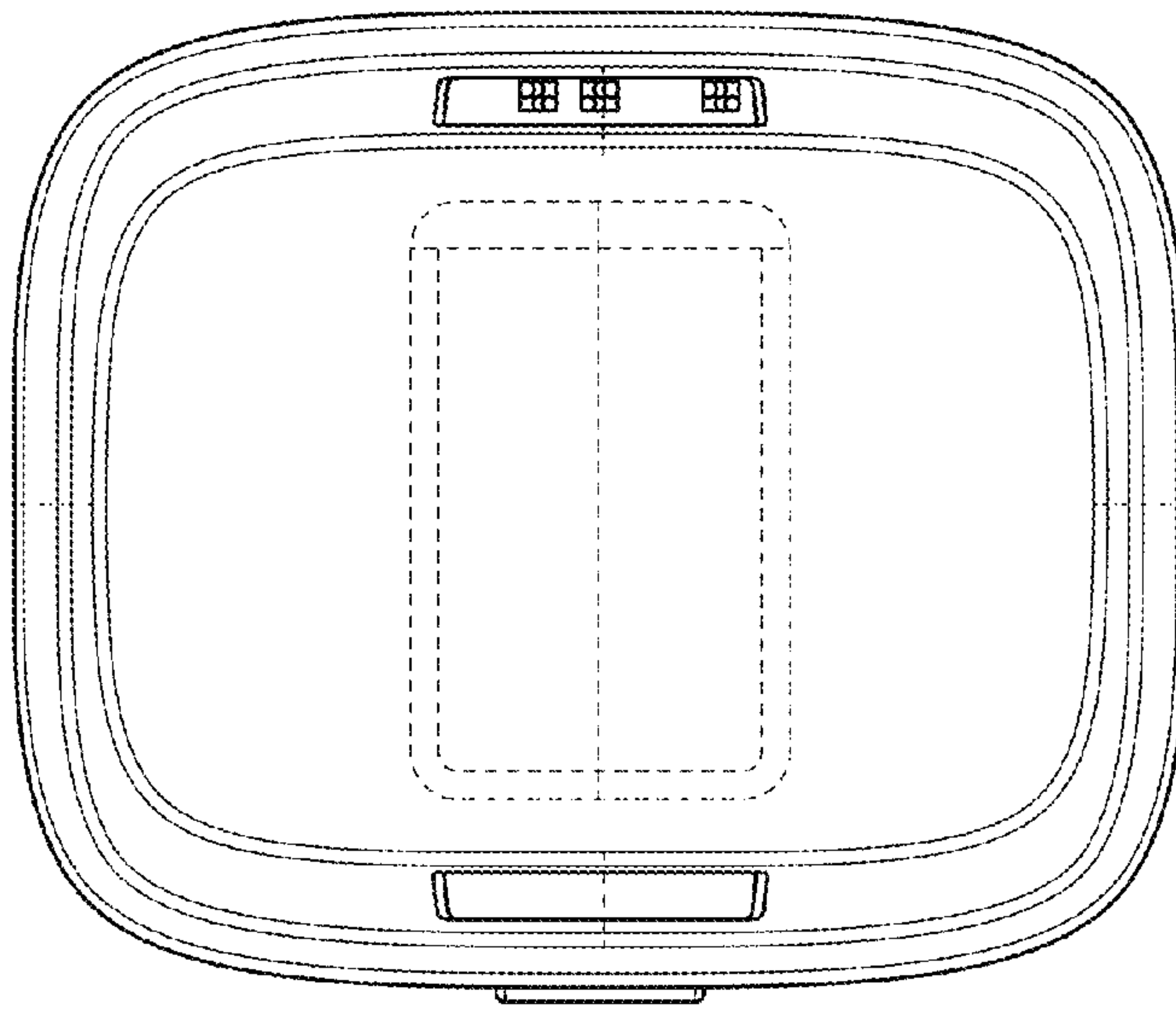


FIG. 1

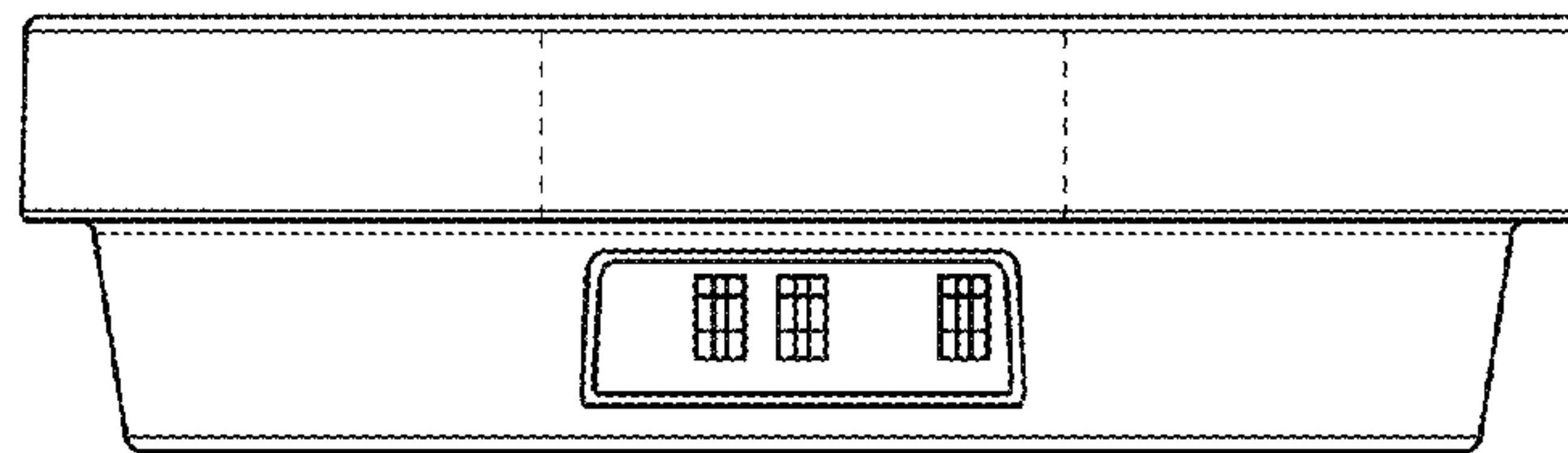


FIG. 4

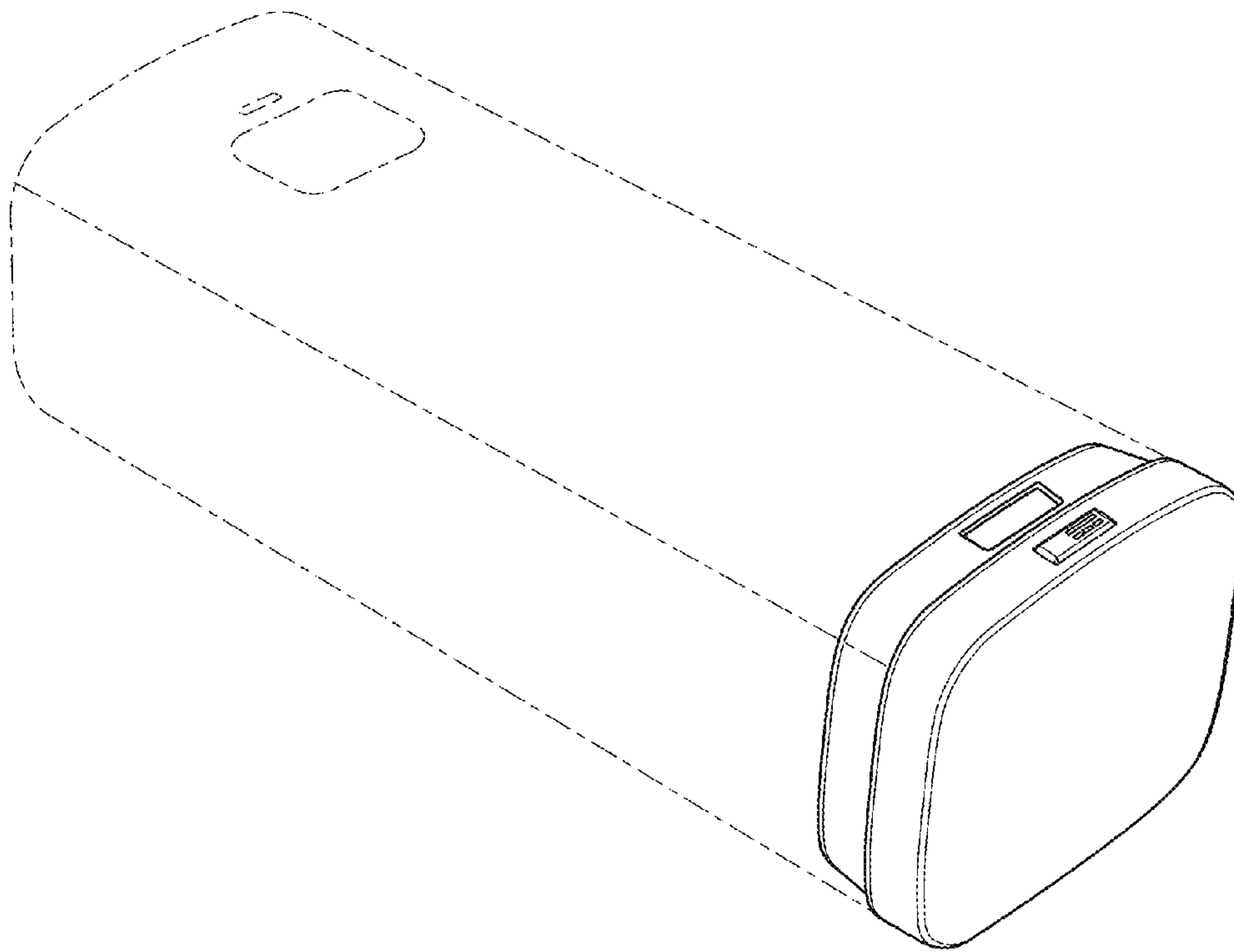


FIG. 5