



US00D751078S

(12) **United States Design Patent**  
**Hatzav et al.**

(10) **Patent No.:** **US D751,078 S**  
(45) **Date of Patent:** **\*\* Mar. 8, 2016**

- (54) **SCANNER**
- (71) Applicant: **ACTUANT Corporation**, Culver City, CA (US)
- (72) Inventors: **Iuval Hatzav**, Culver City, CA (US); **Ilan Ben-Shahar**, Savion (IL); **Giyora Sharaby**, Moshav Neve Yarak (IL); **Daniel Hatzav**, Hod Hasharon (IL)
- (\*\*) Term: **14 Years**
- (21) Appl. No.: **29/509,954**
- (22) Filed: **Nov. 24, 2014**
- (51) **LOC (10) Cl.** ..... **14-02**
- (52) **U.S. Cl.**  
USPC ..... **D14/420**; D14/421; D14/425
- (58) **Field of Classification Search**  
USPC ..... D14/420–425; D18/55, 49, 46, 40, D18/36–39, 41, 44, 45, 47, 48, 50–54, 56; 235/462, 455, 470, 462.43, 482, 483; 358/474, 486, 488, 496, 497, 498, 452, 358/449, 451, 453, 1.13; 318/685, 696; 355/81, 75; 399/405, 367, 379, 380; 382/217; 715/209, 222, 226, 274; 400/613, 613.1–613.4, 690.1–690.4, 400/691–694  
CPC ..... H04N 1/0049; H04N 1/00718; H04N 1/00734; H04N 1/00771; H04N 1/00901; H04N 1/203; H04N 1/00888; H04N 2201/0096; H04N 2201/0081; G06K 7/10544–7/10871; G06K 9/20–9/2036; G06K 9/2054–9/209; G06K 9/46; G06K 9/4671–9/469; G06K 9/48–9/482; G06K 9/50–9/58; G06K 9/62; G06K 19/077  
See application file for complete search history.

- D484,183 S \* 12/2003 Hattori ..... D18/50
- D491,272 S \* 6/2004 Alden ..... D24/216
- D494,723 S \* 8/2004 Lin ..... D34/9
- D535,403 S \* 1/2007 Isozaki ..... D24/232
- D537,601 S \* 2/2007 Lin ..... D34/9
- 7,195,162 B2 \* 3/2007 Mazzone ..... G06K 7/10881  
235/454
- D584,417 S \* 1/2009 Masee ..... D24/217
- D595,917 S \* 7/2009 Liao ..... D34/9
- D607,575 S \* 1/2010 Walsh ..... D24/216
- D629,529 S \* 12/2010 Russell, II ..... D24/217
- D653,764 S \* 2/2012 Macemon ..... D24/216
- D670,059 S \* 10/2012 Katechis ..... D34/9
- D689,864 S \* 9/2013 Vaughan ..... D14/421
- 8,559,068 B2 \* 10/2013 Hatzav ..... H04N 1/0288  
348/262
- D693,939 S \* 11/2013 Iseki ..... D24/216
- 8,652,848 B2 \* 2/2014 Nagai ..... G01N 15/12  
377/12
- D705,943 S \* 5/2014 Chang ..... D24/216
- 8,830,328 B2 \* 9/2014 Hatzav ..... H04N 1/19594  
348/159
- D720,859 S \* 1/2015 Chang ..... D10/57
- D736,402 S \* 8/2015 Gutmann ..... D24/216
- D737,459 S \* 8/2015 Kurihara ..... D24/232
- 2009/0057044 A1 \* 3/2009 Oudelaar ..... B62D 33/07  
180/89.15
- 2013/0057664 A1 \* 3/2013 Hatzav ..... H04N 1/387  
348/61

\* cited by examiner

*Primary Examiner* — Susan Moon Lee

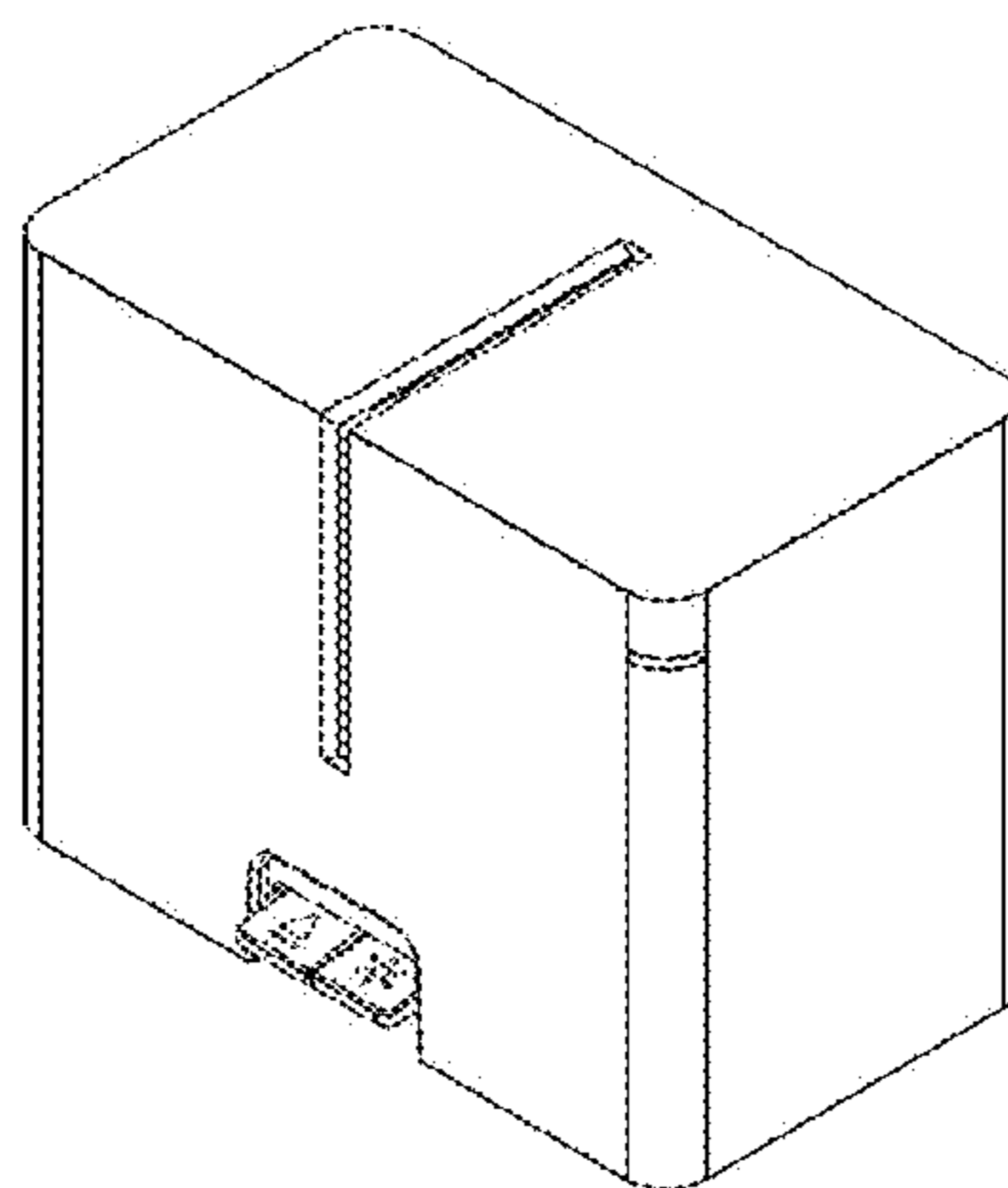
(57) **CLAIM**  
The ornamental design for a scanner, as shown and described herein.

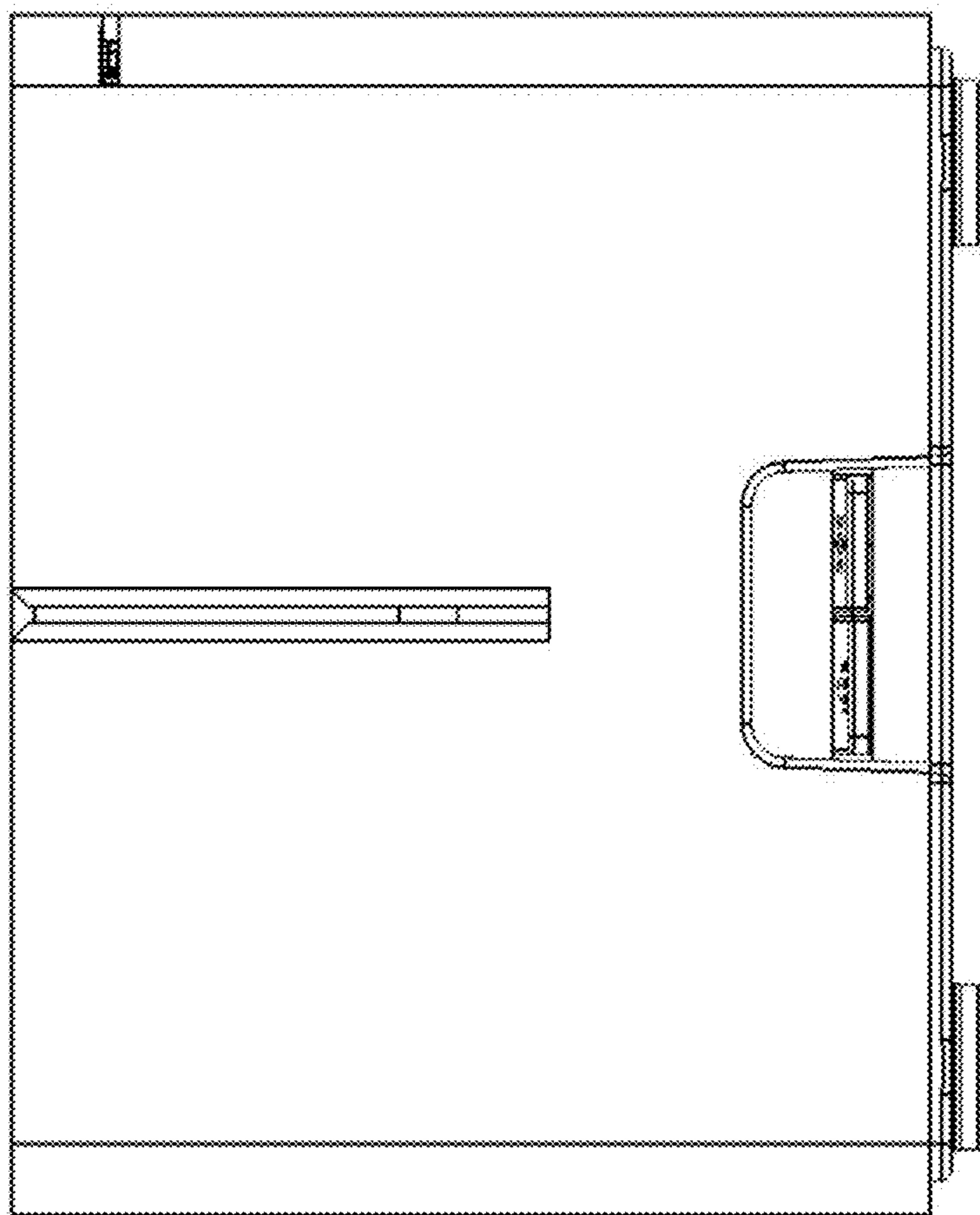
**DESCRIPTION**

FIG. 1 is a front view of a scanner embodying our new design; FIG. 2 is a rear view thereof; FIG. 3 is a right side view thereof; FIG. 4 is a left side view thereof; FIG. 5 is a top plan view thereof; FIG. 6 is a bottom view thereof; and, FIG. 7 is a top, front and right side isometric view thereof. Elements shown in broken lines are not claimed.

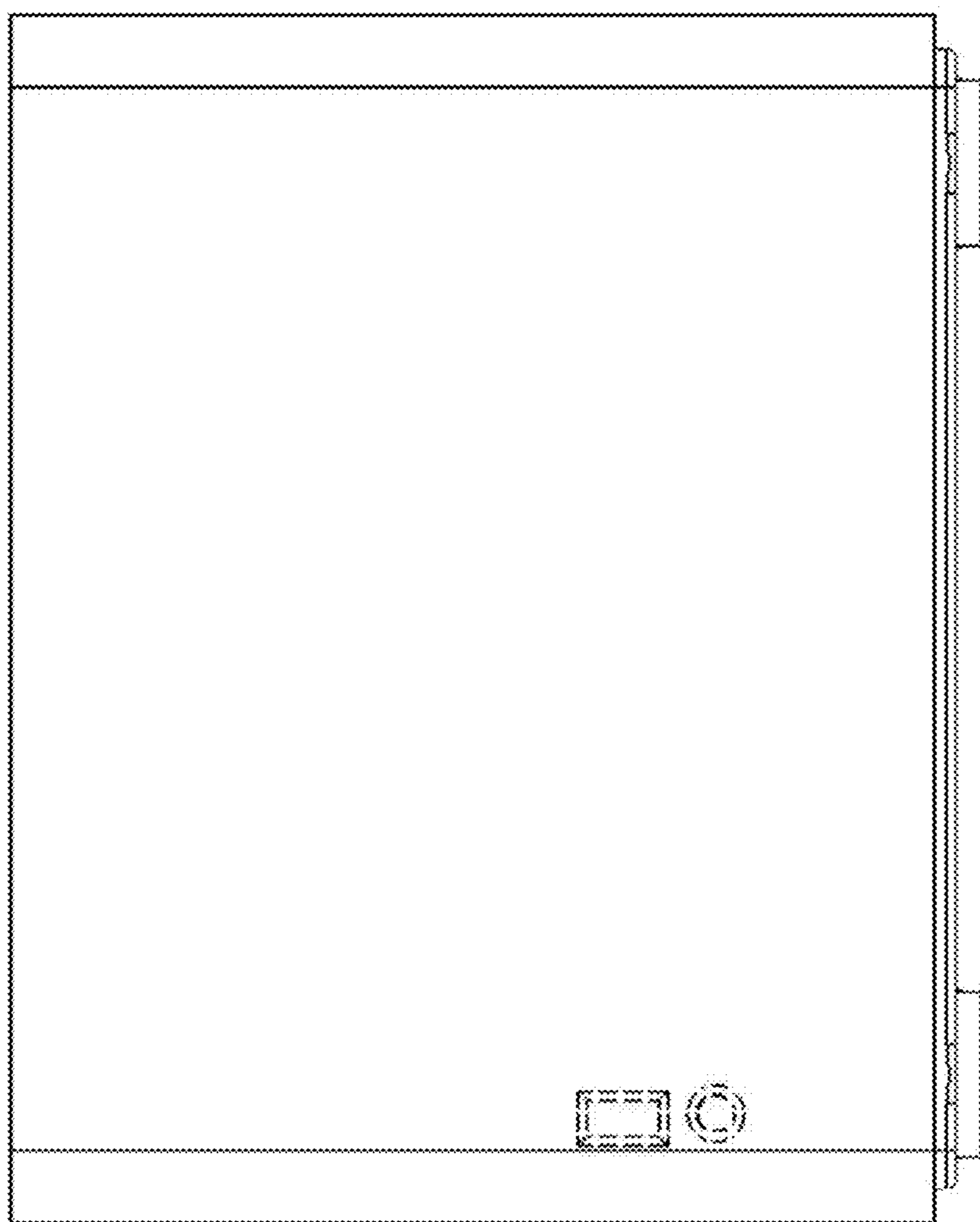
**1 Claim, 7 Drawing Sheets**

- (56) **References Cited**  
U.S. PATENT DOCUMENTS  
D326,922 S \* 6/1992 Conrad ..... D24/217  
D353,465 S \* 12/1994 Arioka ..... D24/217  
D407,973 S \* 4/1999 Miller ..... D9/243





*Fig 1*



*Fig 2*

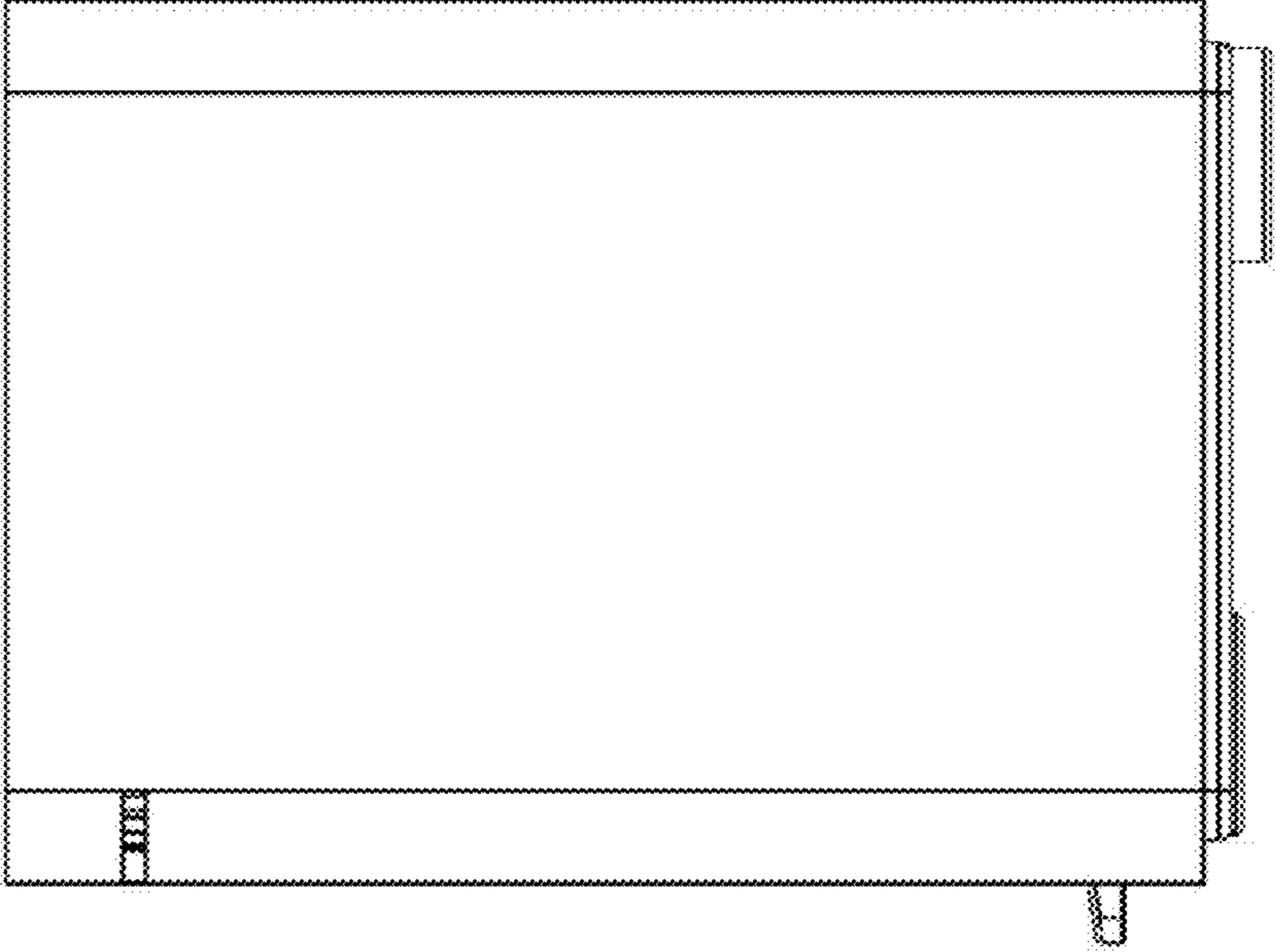


Fig 3

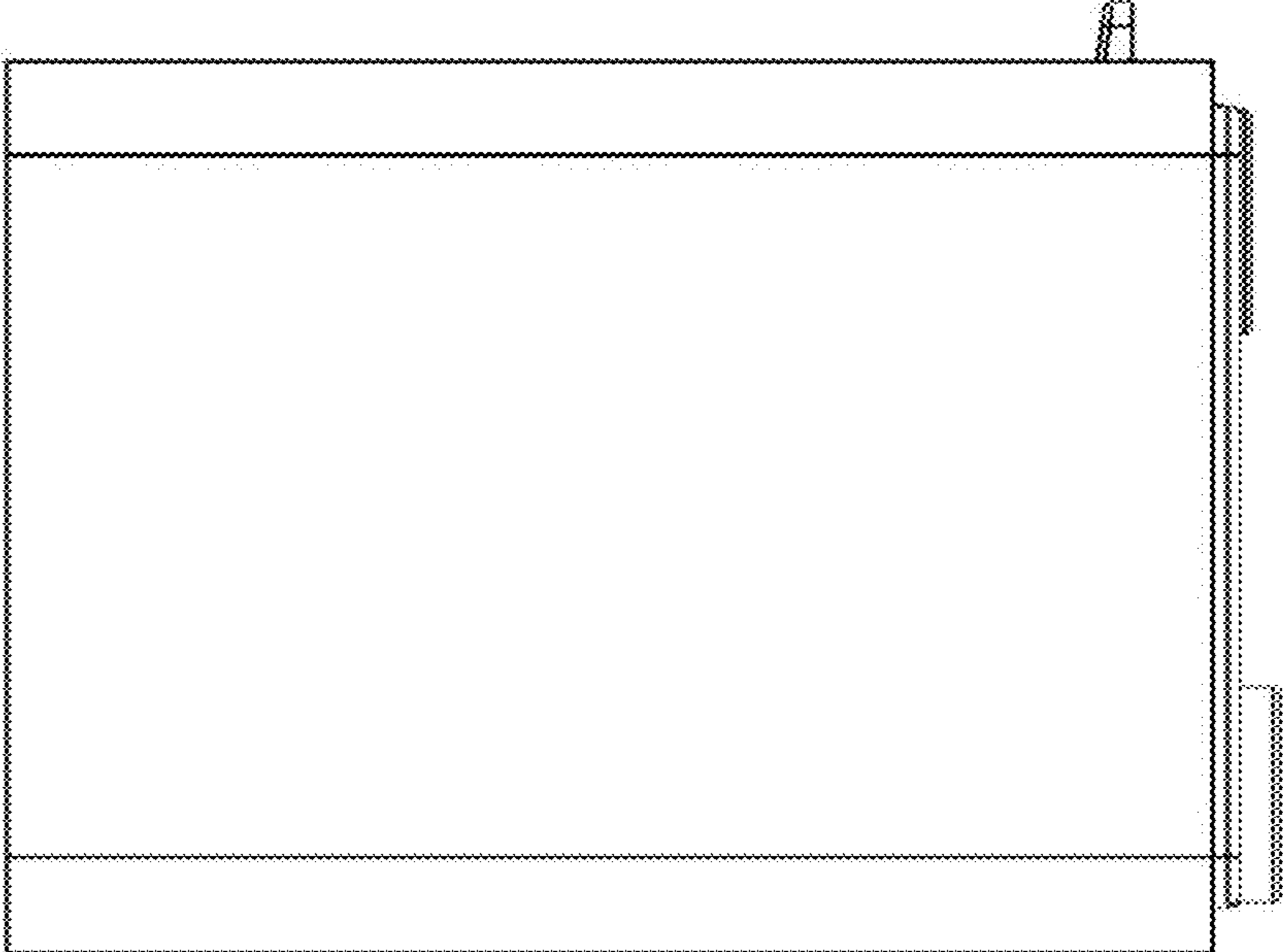


Fig 4

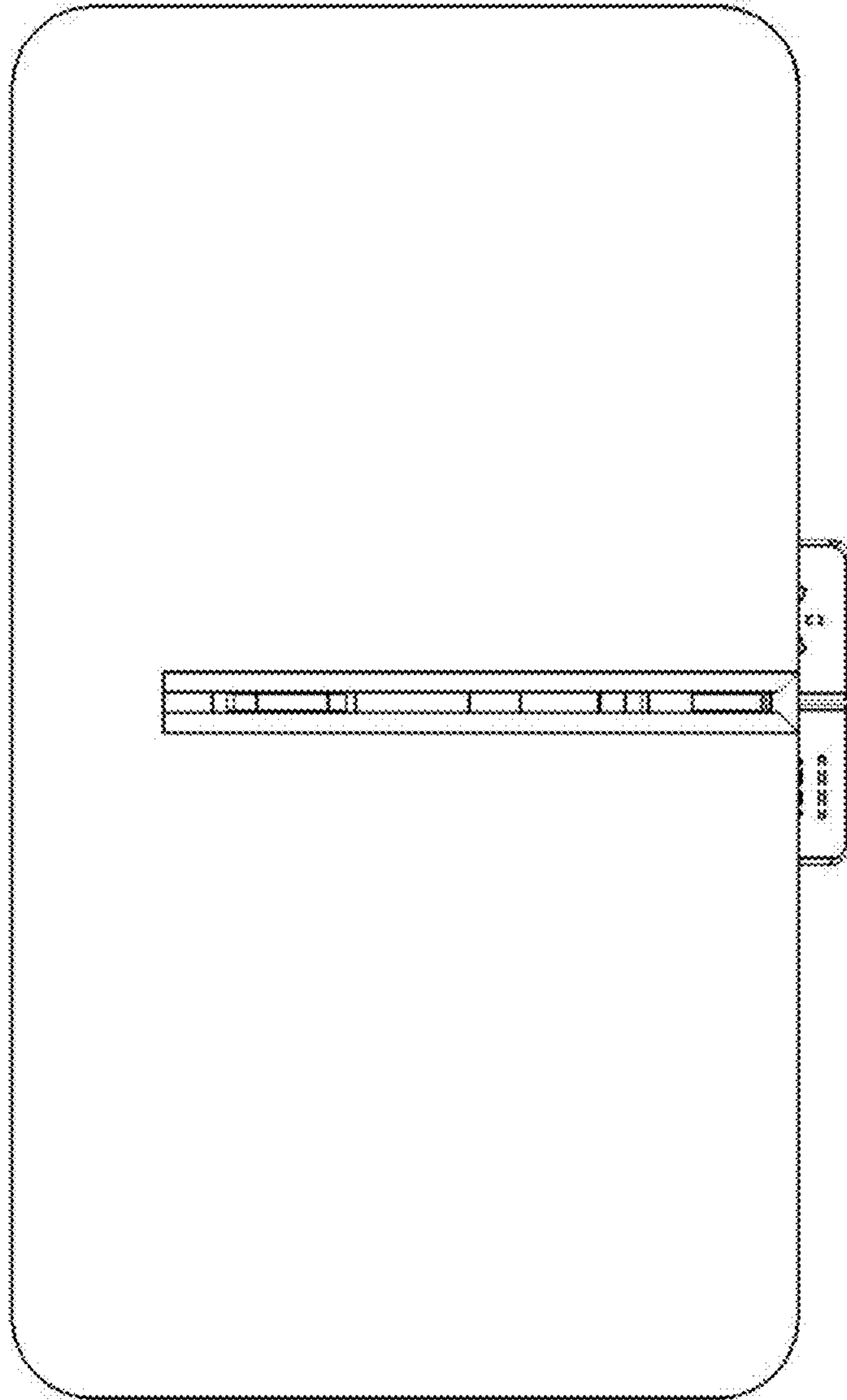


Fig 5

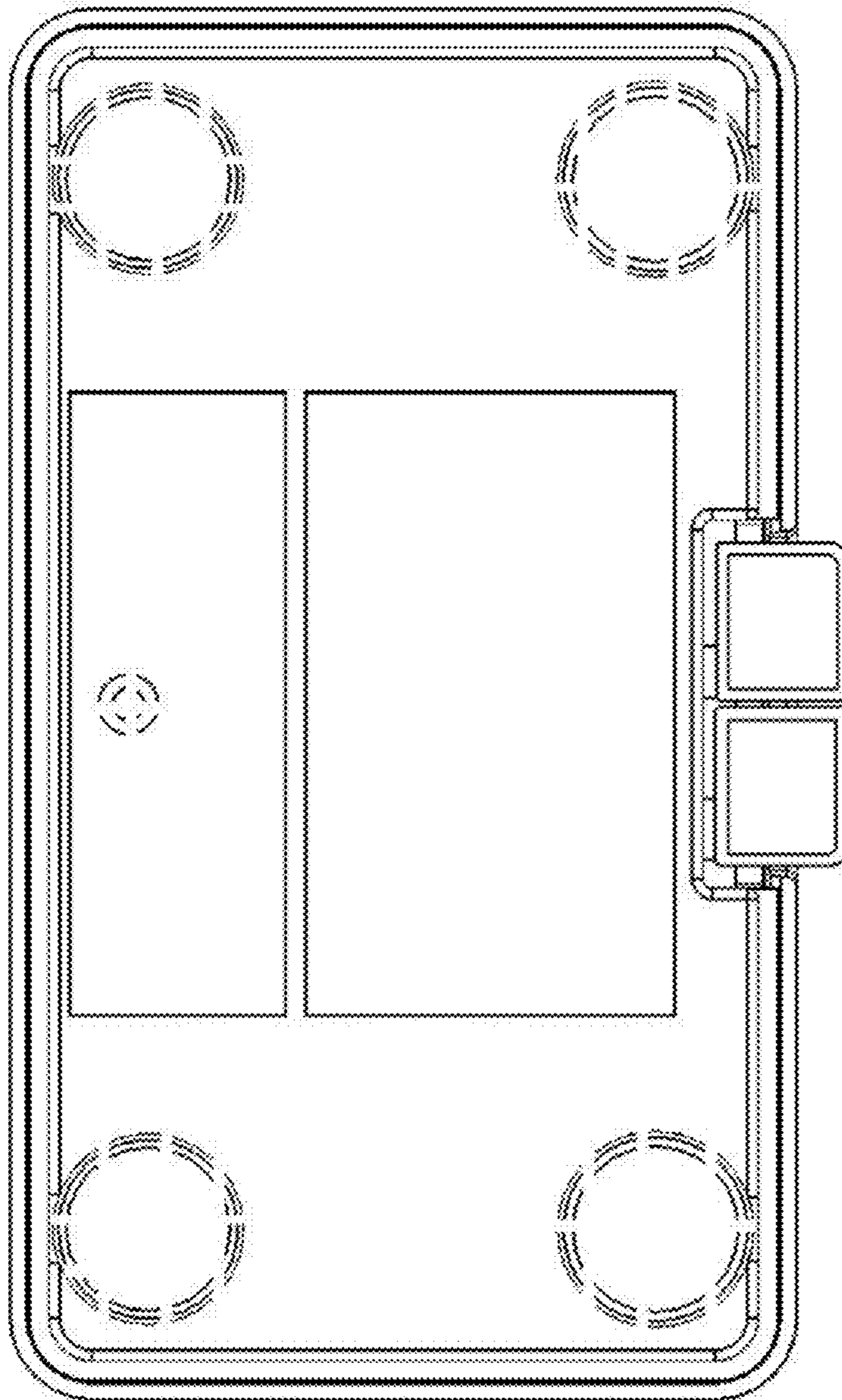


Fig 6

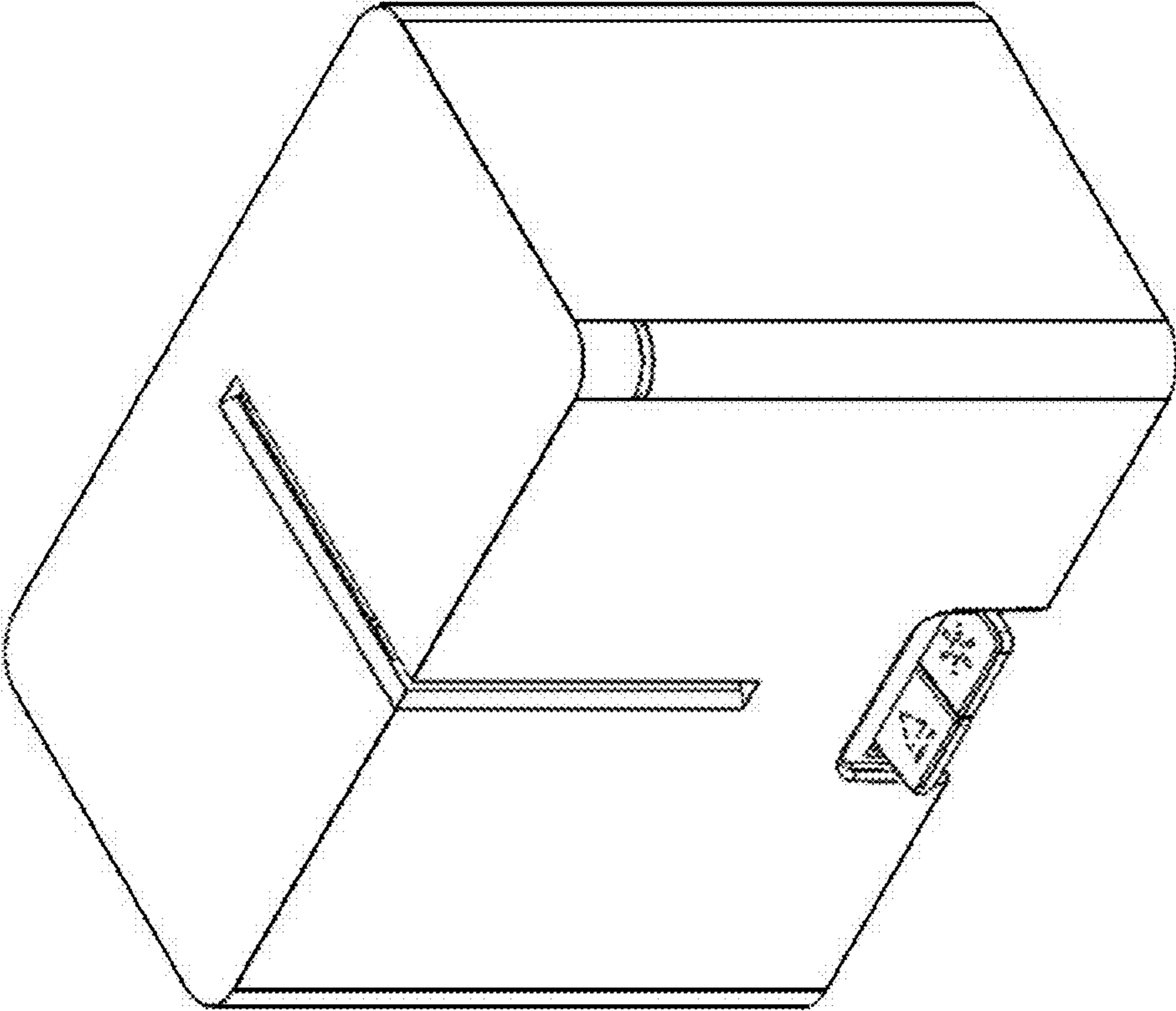


Fig 7



UNITED STATES PATENT AND TRADEMARK OFFICE  
**CERTIFICATE OF CORRECTION**

PATENT NO. : D751,078 S  
APPLICATION NO. : 29/509954  
DATED : March 8, 2016  
INVENTOR(S) : Hatzav et al.

Page 1 of 1

It is certified that error appears in the above-identified patent and that said Letters Patent is hereby corrected as shown below:

On the Title Page

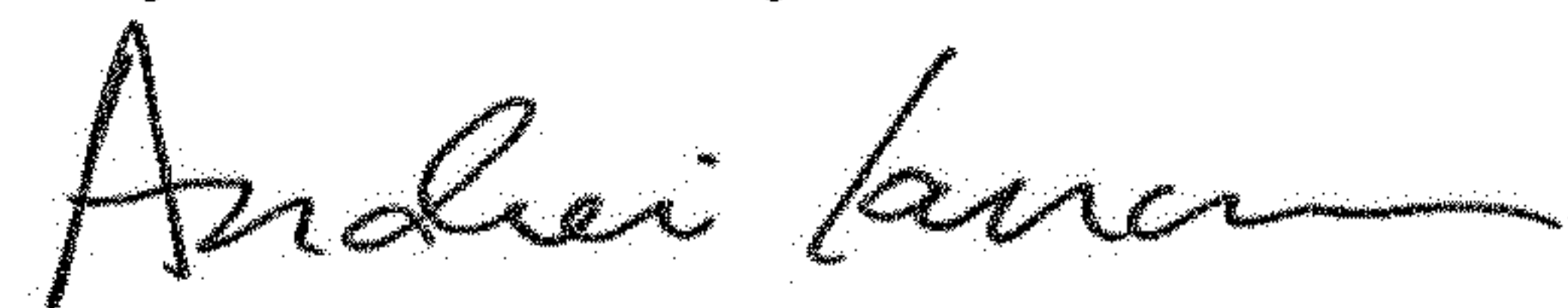
Item (71) please correct the Applicant name from:

ACTUANT Corporation

To:

-ACUANT, INC.-

Signed and Sealed this  
Twenty-seventh Day of November, 2018



Andrei Iancu  
*Director of the United States Patent and Trademark Office*