



US00D751076S

(12) **United States Design Patent**
Buesseler et al.

(10) **Patent No.:** **US D751,076 S**
(45) **Date of Patent:** **** Mar. 8, 2016**

(54) **COMBINED CARD AND FINGERPRINT READER**

D580,438 S * 11/2008 Kuchler D14/385
D624,077 S * 9/2010 Maeda D14/385
D637,189 S * 5/2011 Hemming D14/385

(71) Applicant: **LUMIDIGM, INC.**, Albuquerque, NM (US)

(Continued)

Primary Examiner — Austin Murphy

(72) Inventors: **Joshua R. Buessler**, Seattle, WA (US);
Raymond Louis Nicoli, Seattle, WA (US)

(74) *Attorney, Agent, or Firm* — Marsh Fischmann & Breyfogle LLP; Daniel J. Sherwinter

(57) **CLAIM**

The ornamental design for a combined card and fingerprint reader, as shown and described.

DESCRIPTION

(73) Assignee: **HID GLOBAL CORPORATION**, Austin, TX (US)

FIG. 1 is a perspective view of a first embodiment of a combined card reader and fingerprint reader;

(**) Term: **14 Years**

FIG. 2 is front view of the combined card and fingerprint reader of FIG. 1;

(21) Appl. No.: **29/507,532**

FIG. 3 is a back view of the combined card and fingerprint reader of FIG. 1;

(22) Filed: **Oct. 28, 2014**

FIG. 4 is a right side view of the combined card and fingerprint reader of FIG. 1;

(51) **LOC (10) Cl.** **14-02**

FIG. 5 is a left side view of the combined card and fingerprint reader of FIG. 1;

(52) **U.S. Cl.**

USPC **D14/385**

FIG. 6 is a top view of the combined card and fingerprint reader of FIG. 1;

(58) **Field of Classification Search**

USPC D14/356–358, 383–385, 420, 426, 427, D14/432–439, 447, 453, 454, 217, 253, 299, D14/307; D13/107, 108, 133, 146, 147, D13/152, 154, 156, 158, 162, 162.1, 168, D13/173, 177, 102; 235/441, 451, 492, 380, 235/439, 375; 361/679.31, 600, 679.01, 361/679.02

FIG. 7 is a bottom view of the combined card and fingerprint reader of FIG. 1;

CPC G07C 9/00103; G07C 9/00039; G07C 9/00904; G06K 5/00; G06K 7/01

FIG. 8 is a perspective view of a second embodiment of the combined card and fingerprint reader;

See application file for complete search history.

FIG. 9 is front view of the combined card and fingerprint reader of FIG. 8;

FIG. 10 is a back view of the combined card and fingerprint reader of FIG. 8;

(56) **References Cited**

U.S. PATENT DOCUMENTS

D425,881 S * 5/2000 Borza D14/384
D522,511 S * 6/2006 Sekou D14/384
D535,994 S * 1/2007 Leibenguth D14/385
7,306,144 B2 * 12/2007 Moore G06F 3/03547
235/375
D560,219 S * 1/2008 Yamakawa D14/385

FIG. 11 is a right side view of the combined card and fingerprint reader of FIG. 8;

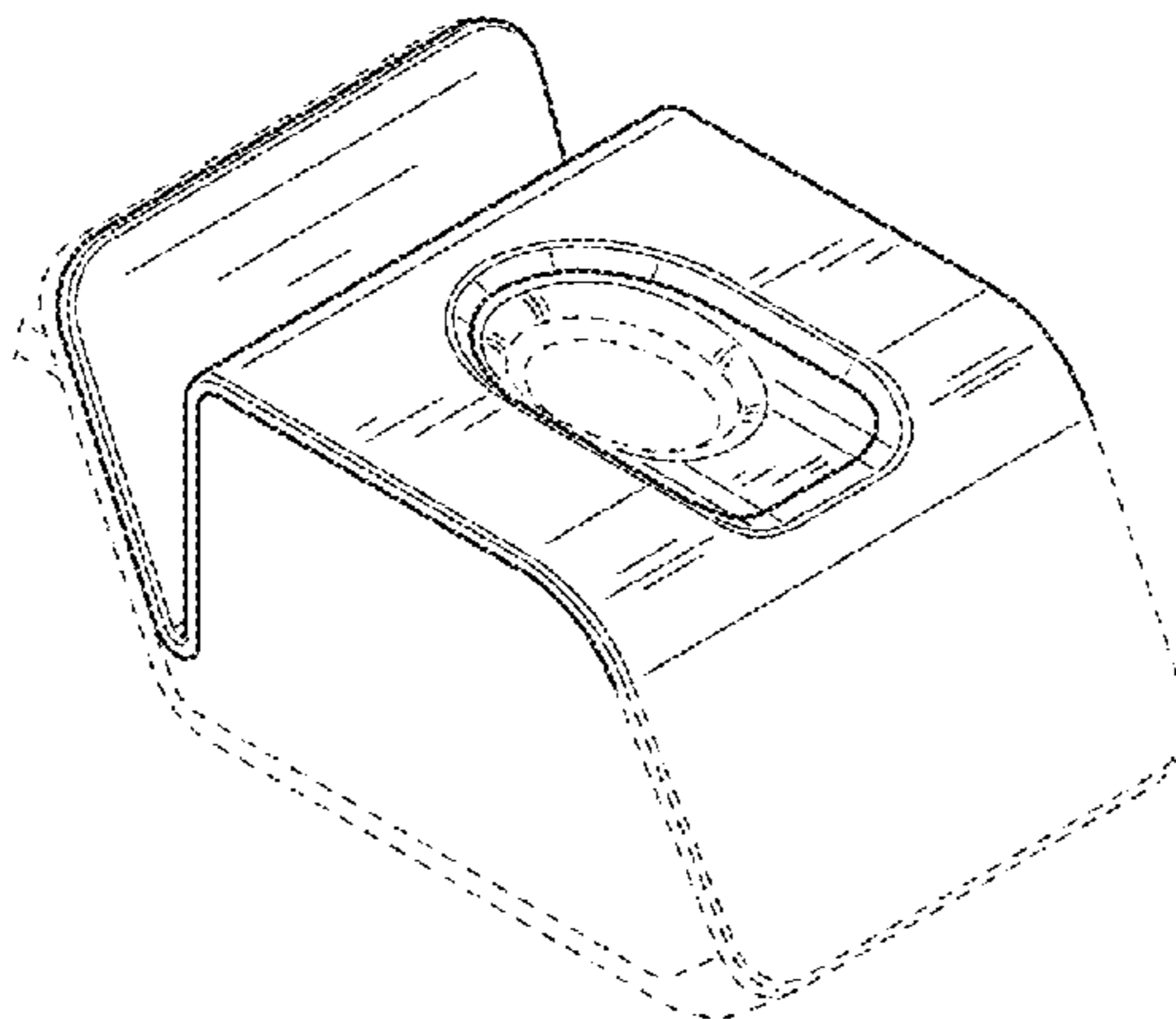
FIG. 12 is a left side view of the combined card and fingerprint reader of FIG. 8;

FIG. 13 is a top view of the combined card and fingerprint reader of FIG. 8; and,

FIG. 14 is a bottom view of the combined card and fingerprint reader of FIG. 8.

The broken lines in the drawing indicate environmental structure and form no part of the design to be patented.

1 Claim, 8 Drawing Sheets



(56)

References Cited

U.S. PATENT DOCUMENTS

D646,273 S * 10/2011 Daniel D14/385
D653,664 S * 2/2012 Turnbull D14/385
8,274,713 B2 * 9/2012 Hatzav H04N 1/00997
235/439

D691,152 S * 10/2013 Meisel D14/385
D711,875 S * 8/2014 Daniel D14/385
D712,902 S * 9/2014 Daniel D14/385
D724,588 S * 3/2015 Miskiewicz D14/385
D736,207 S * 8/2015 Bousfield D14/385

* cited by examiner

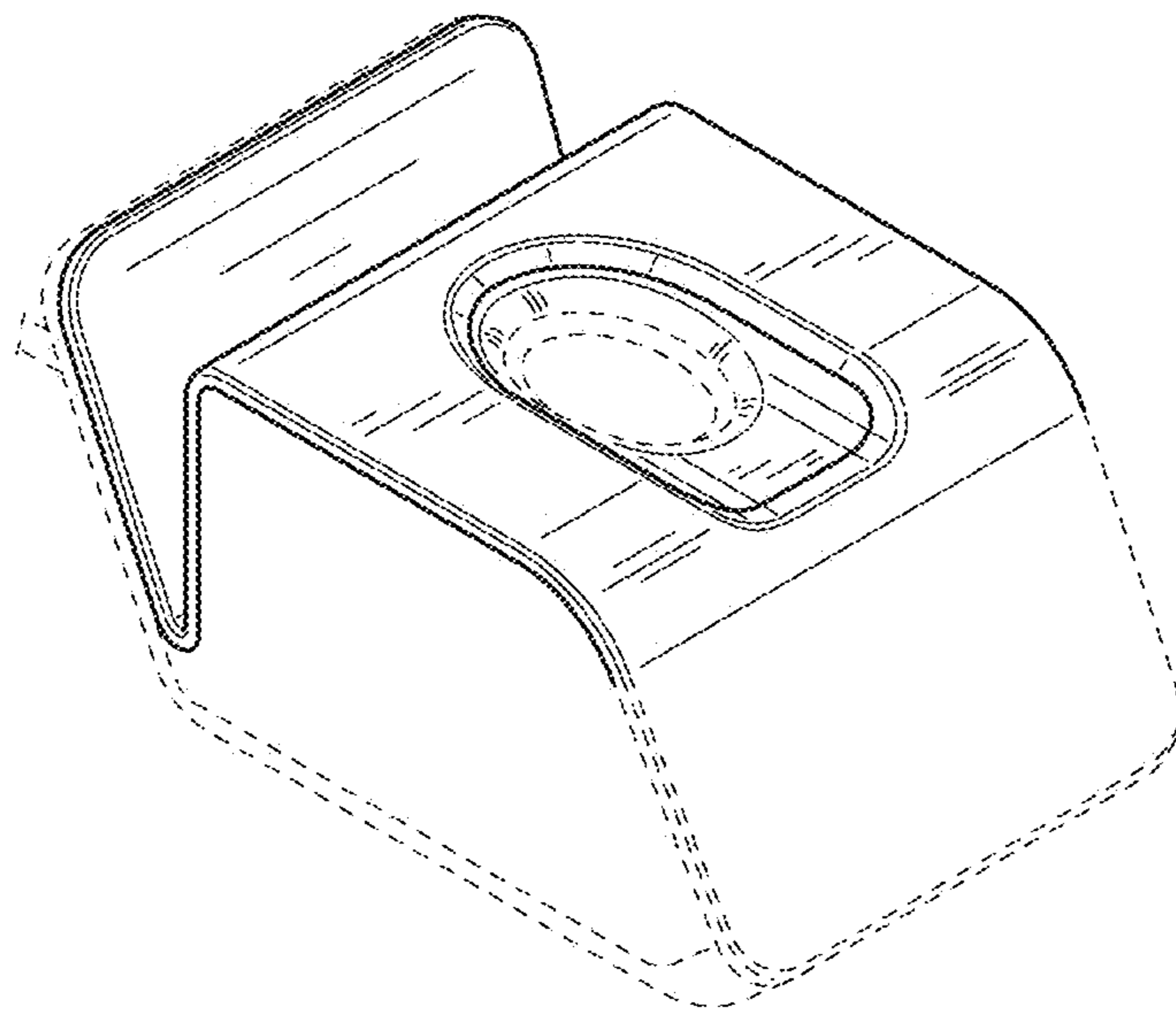


FIG.1

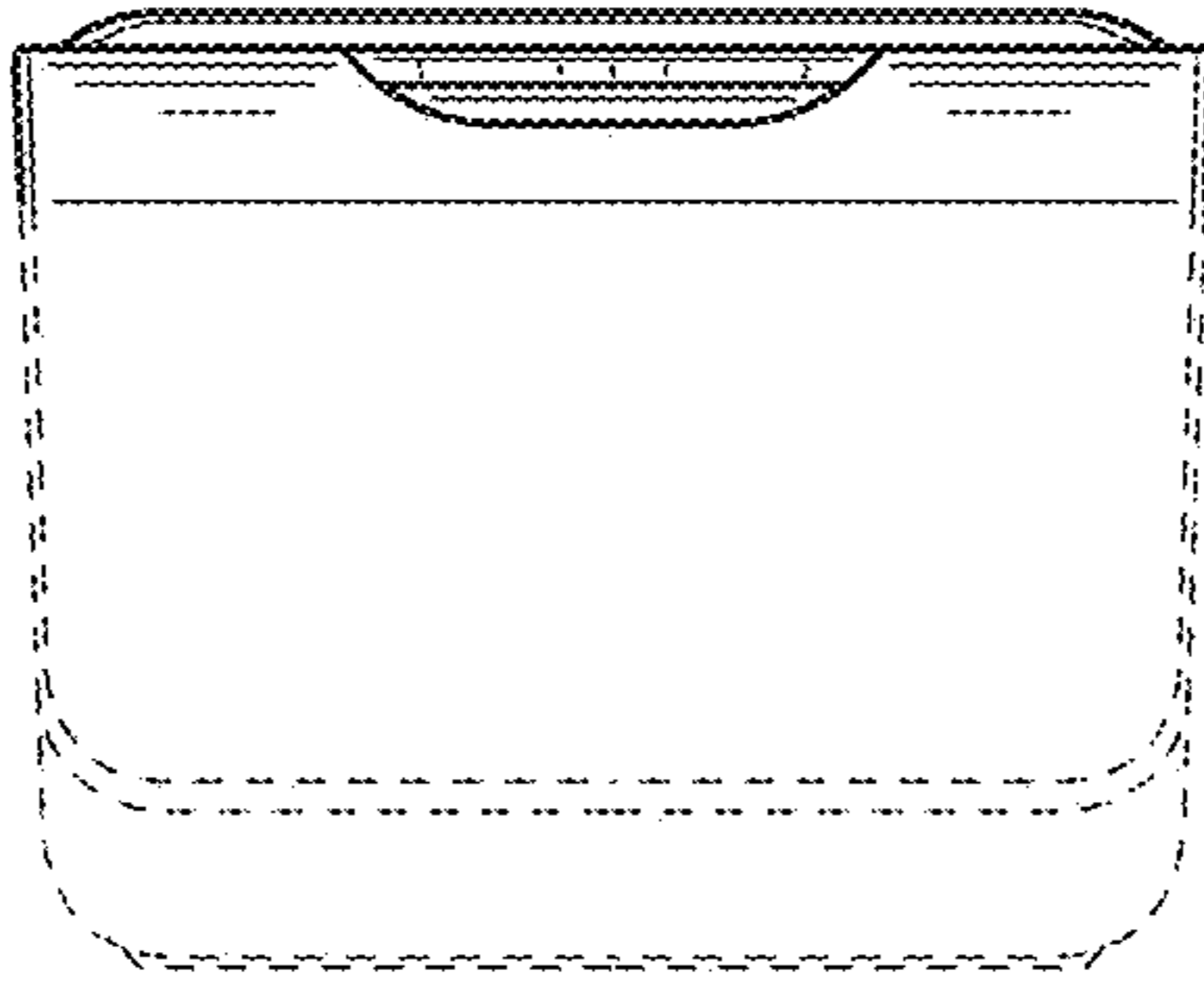


FIG. 2

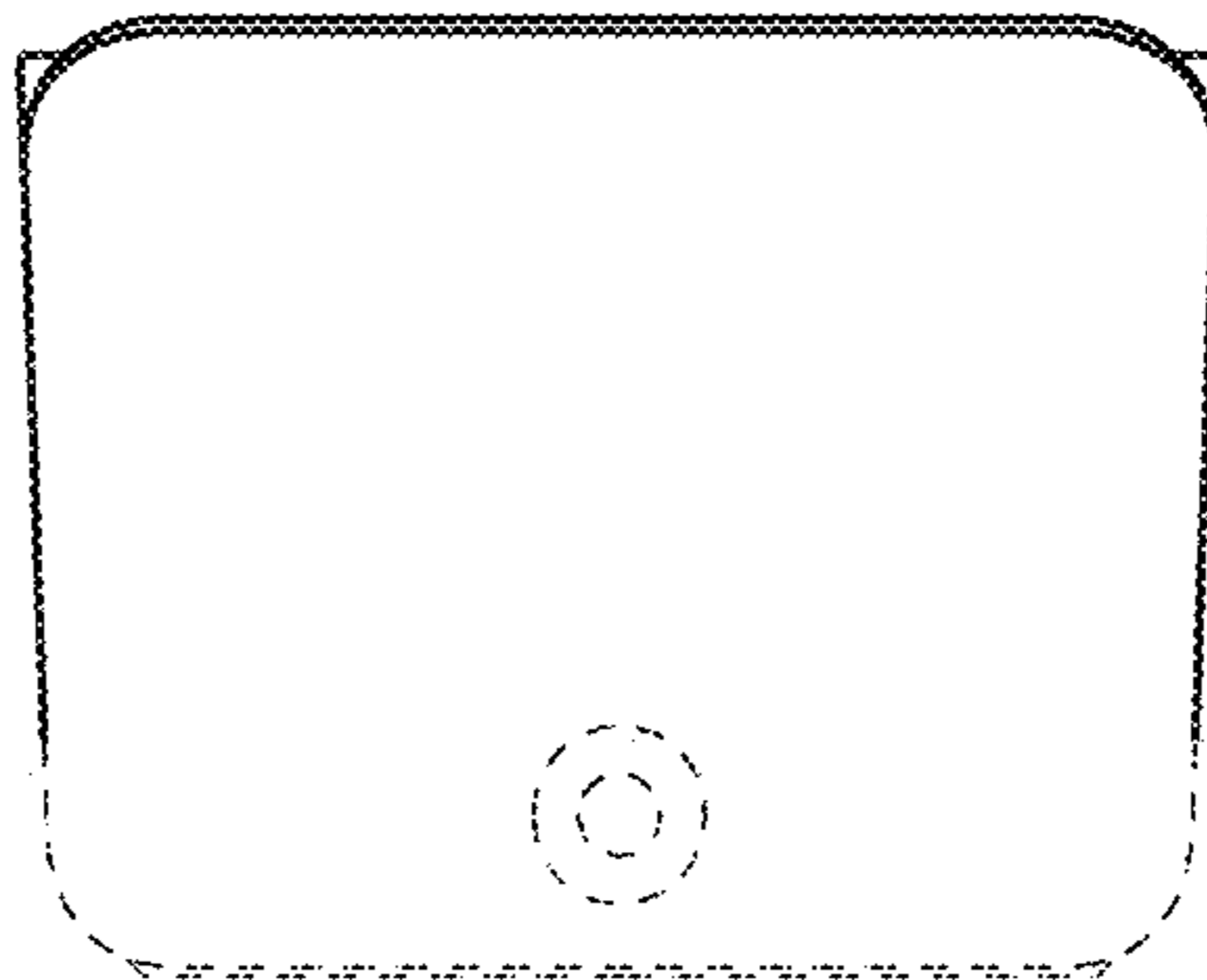


FIG. 3

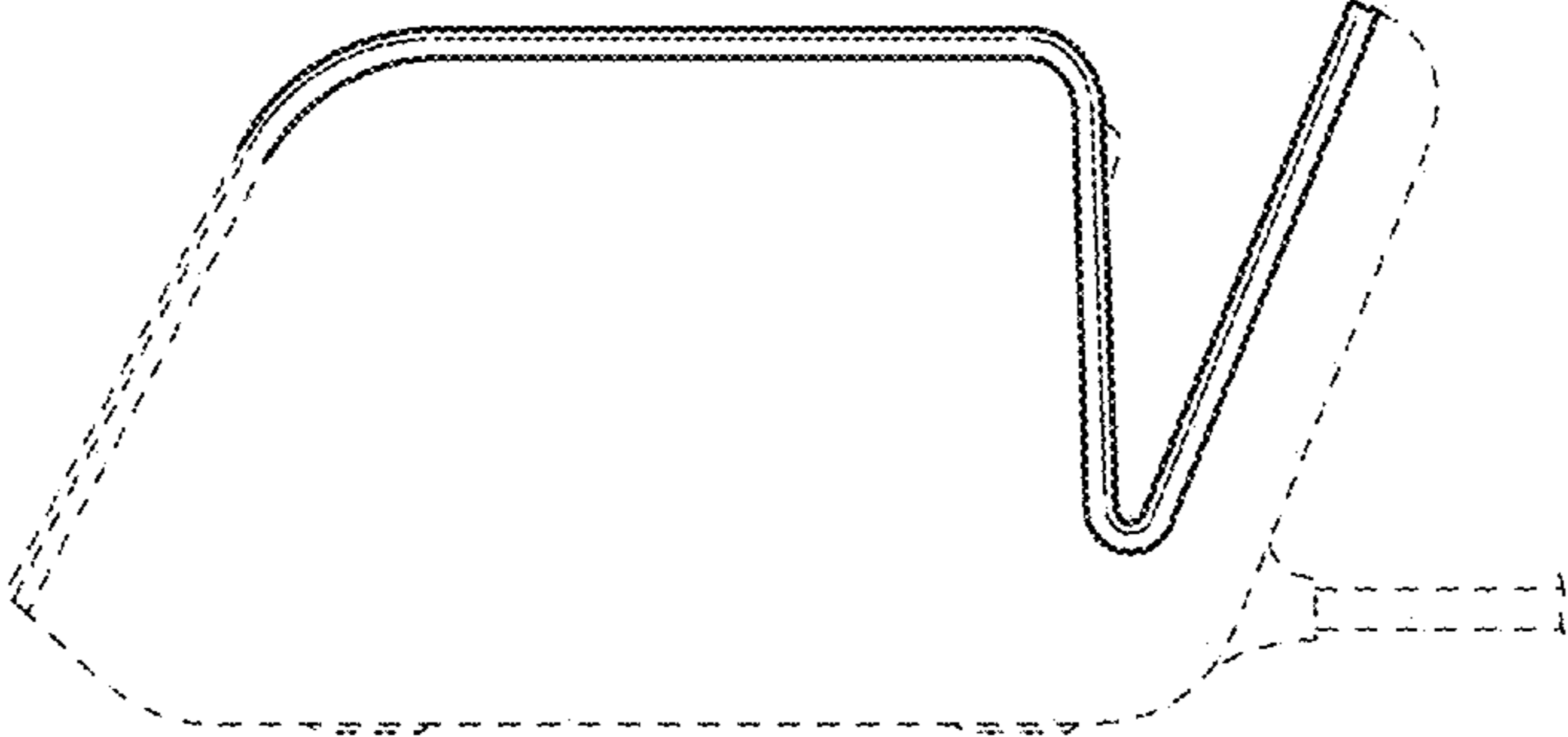


FIG. 4

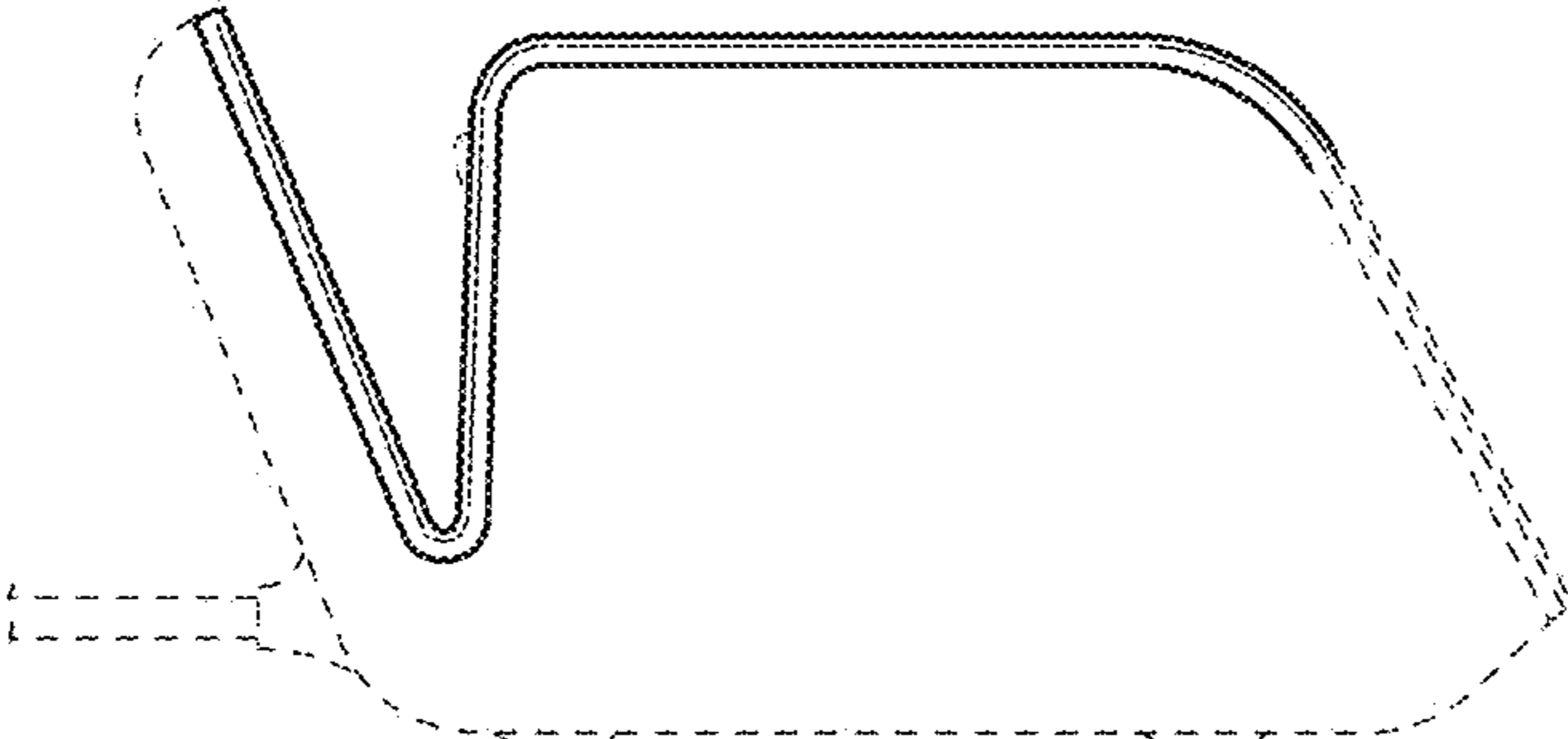


FIG. 5

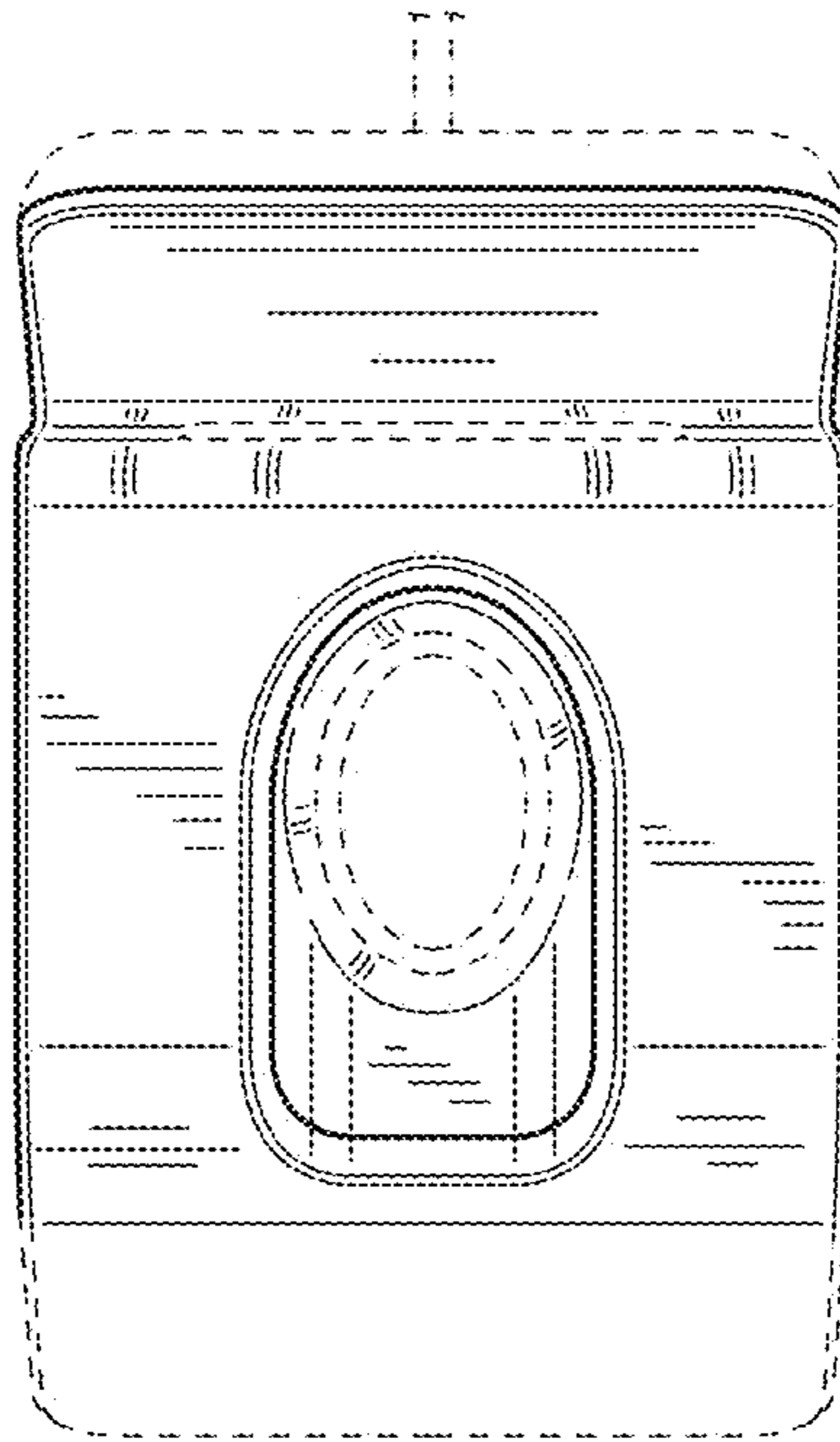


FIG. 6

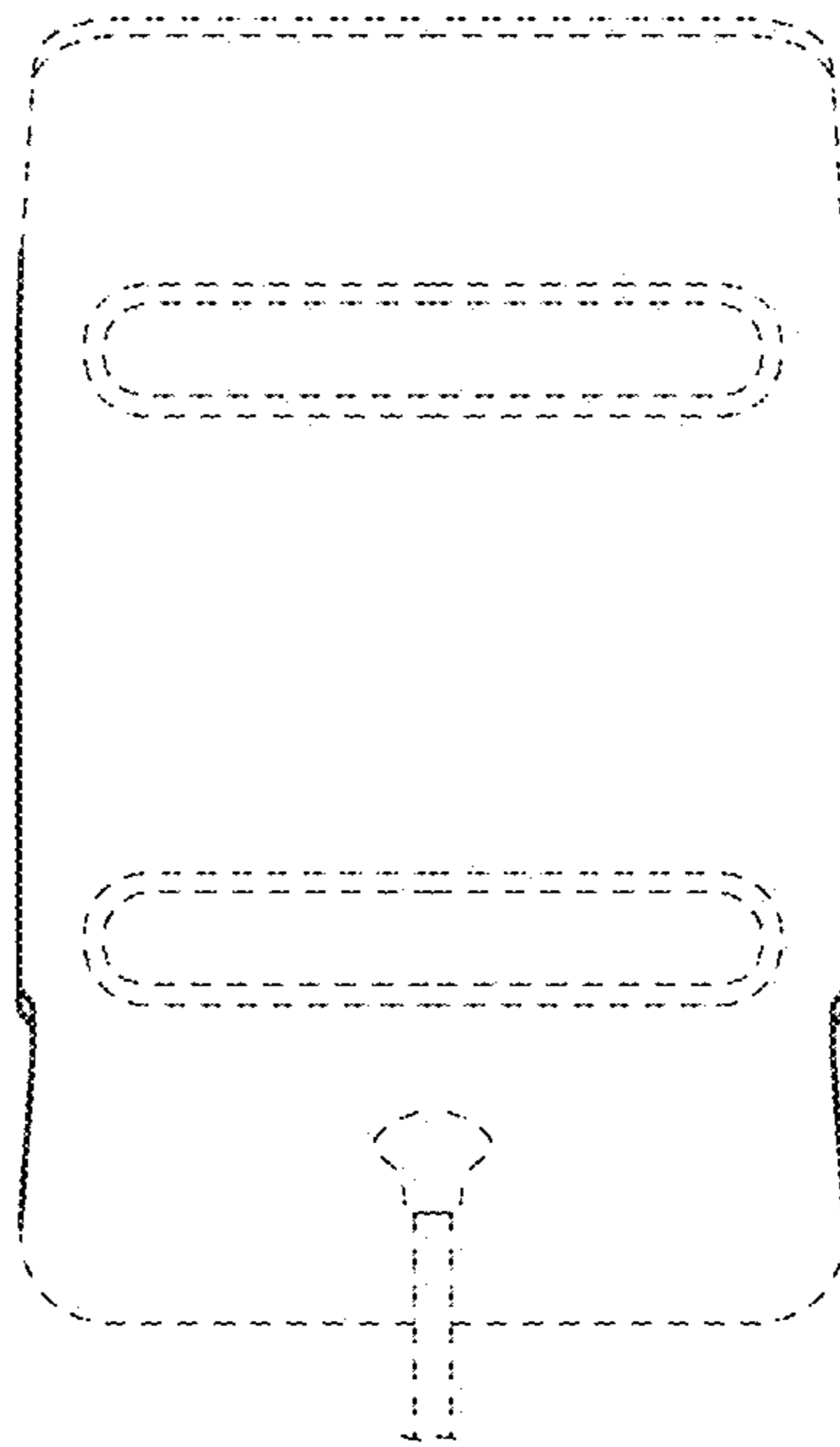


FIG. 7

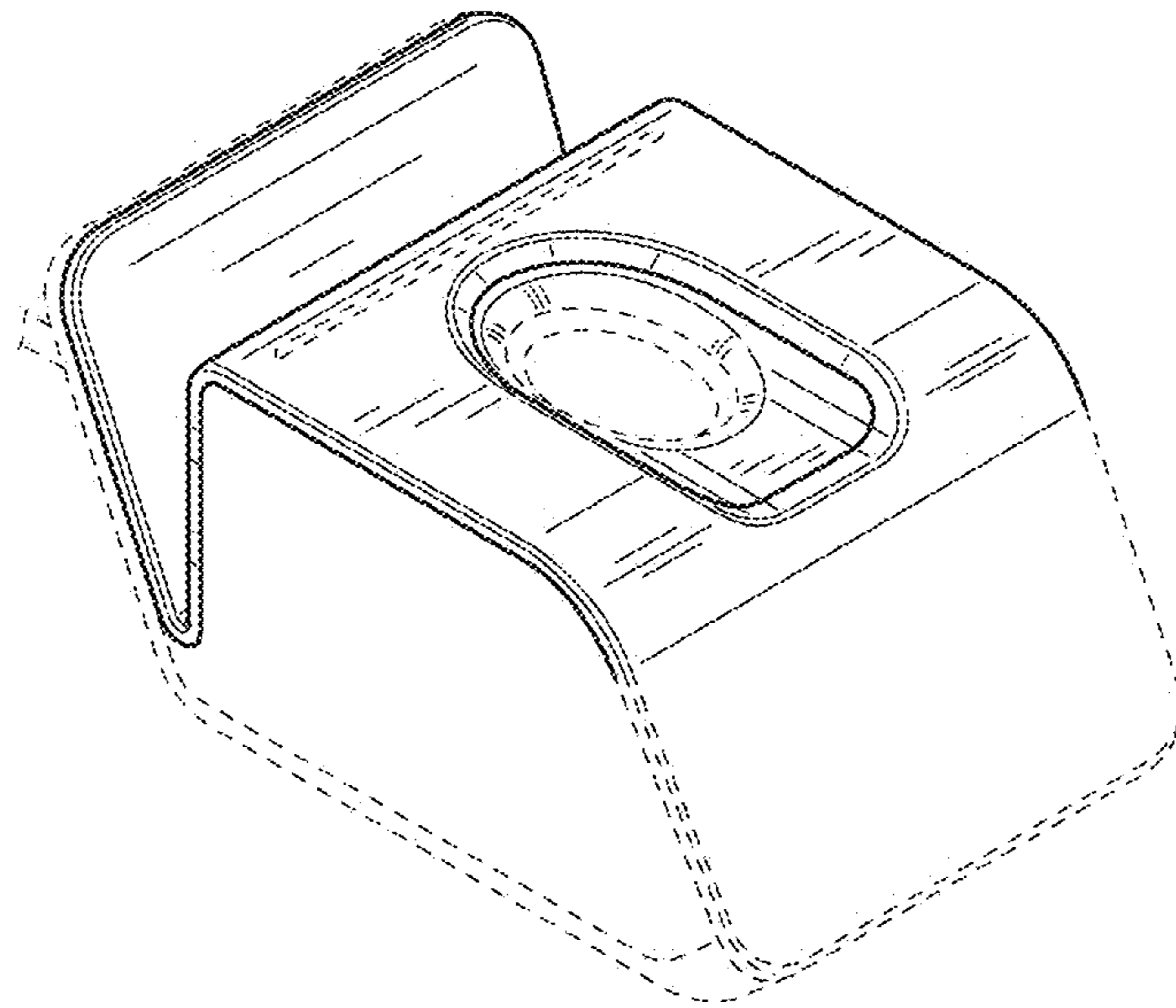


FIG.8

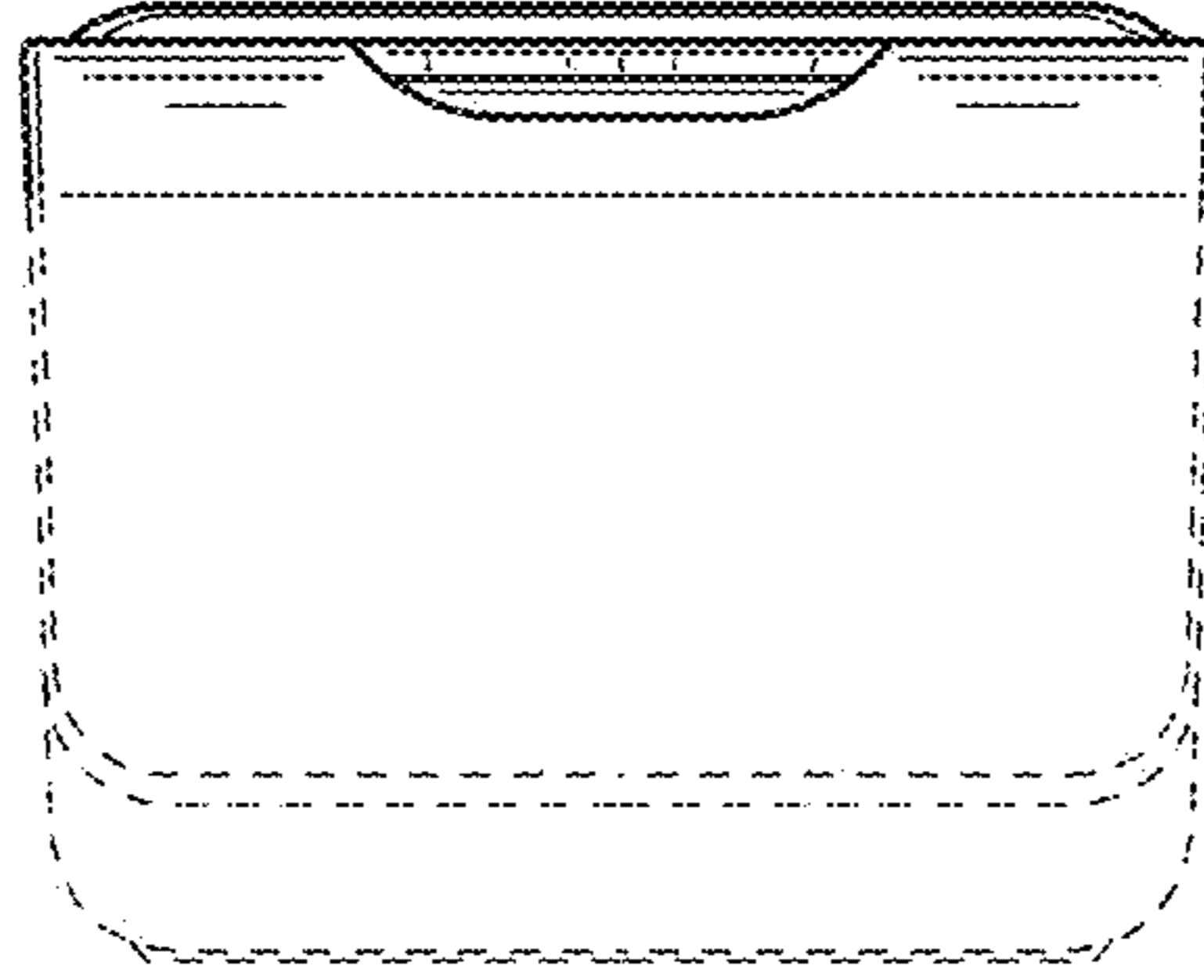


FIG. 9

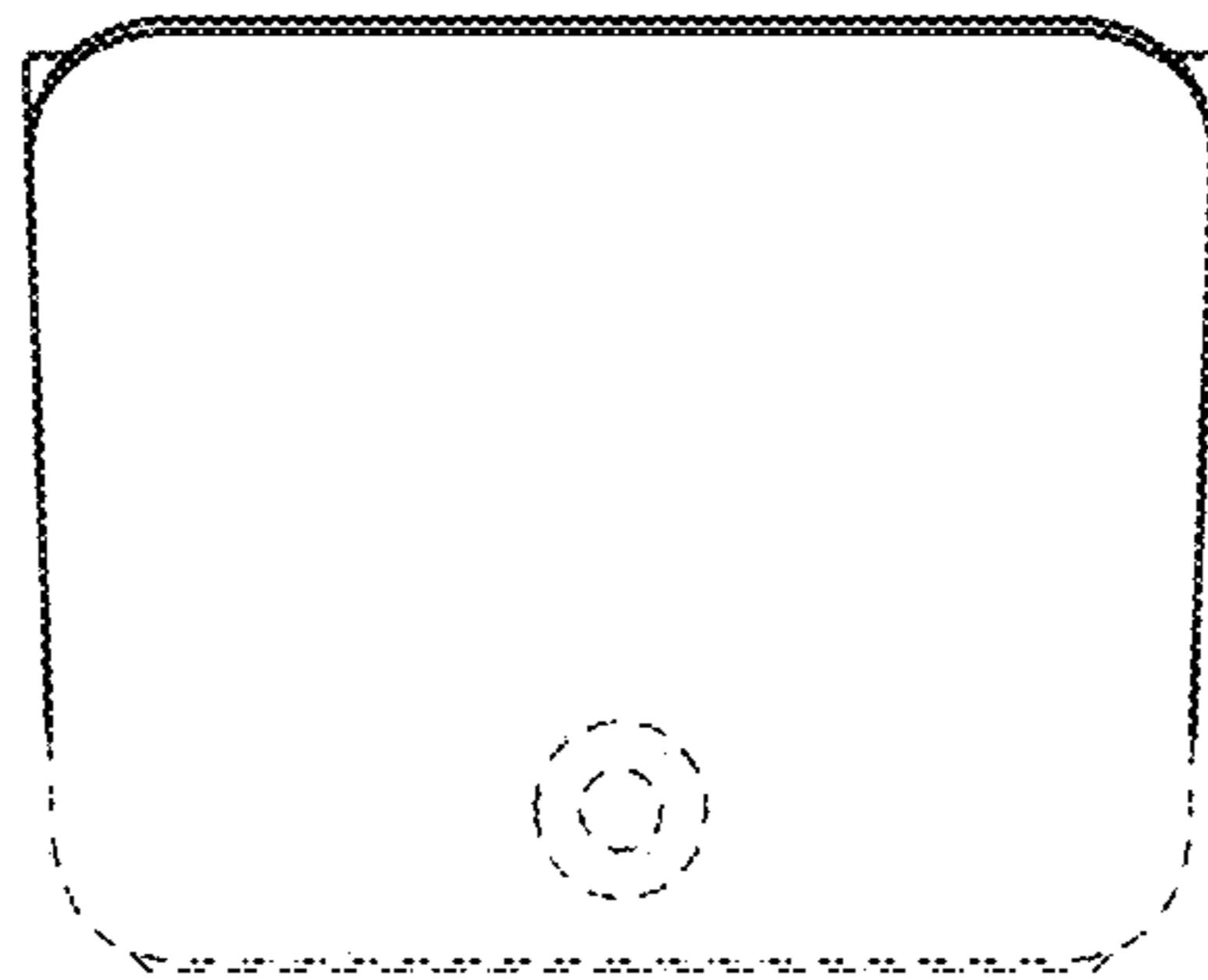


FIG. 10

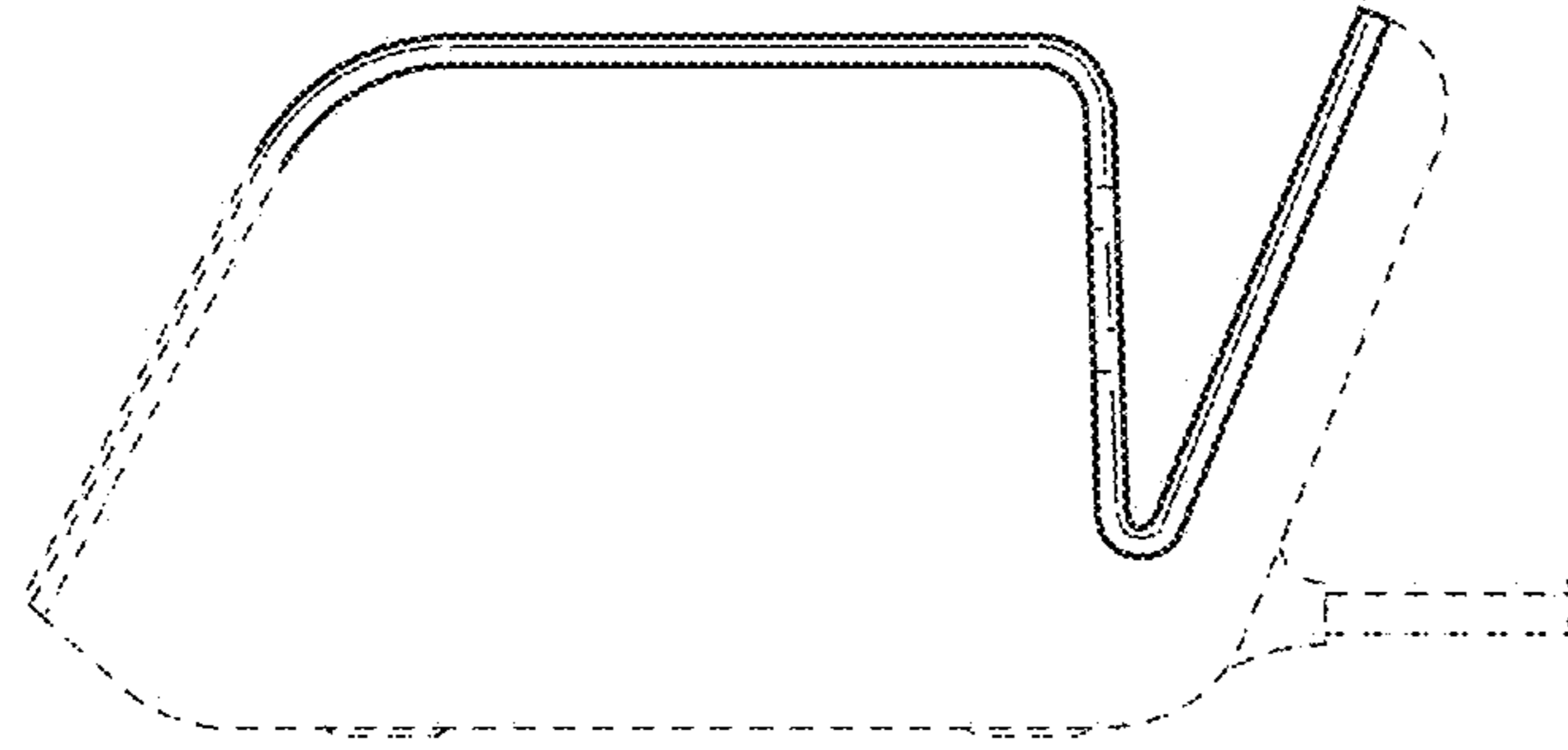


FIG. 11

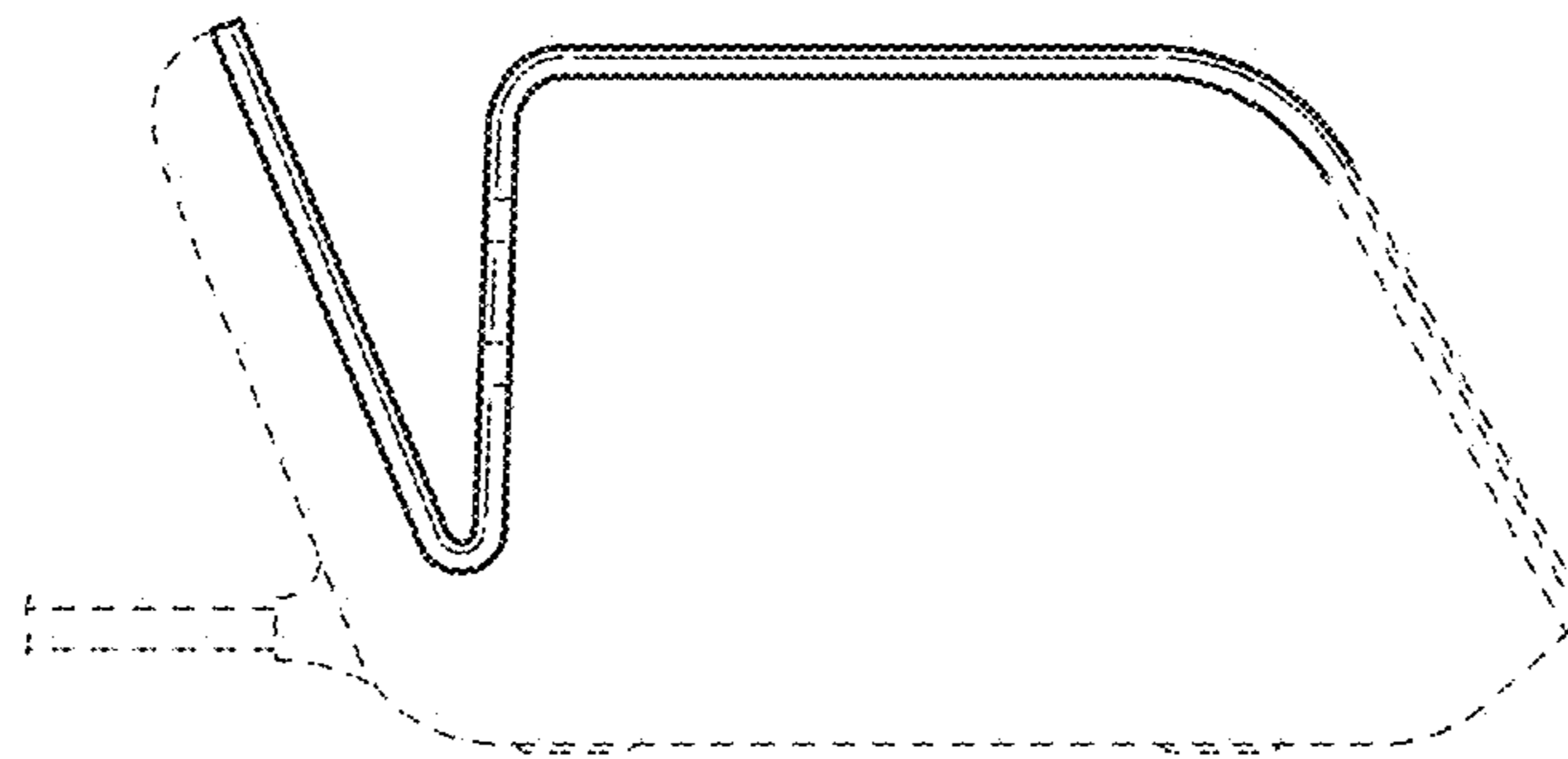


FIG. 12

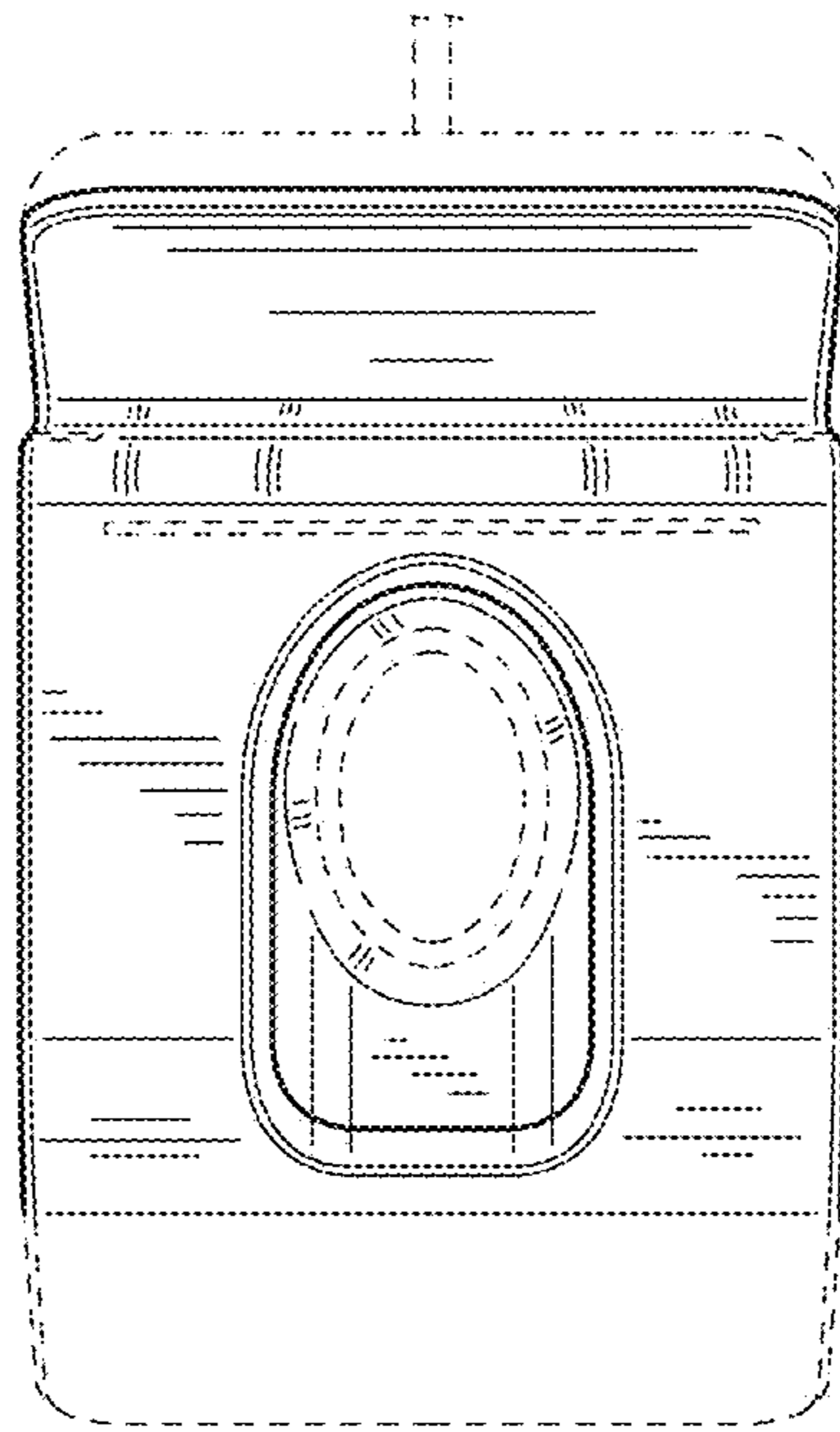


FIG. 13

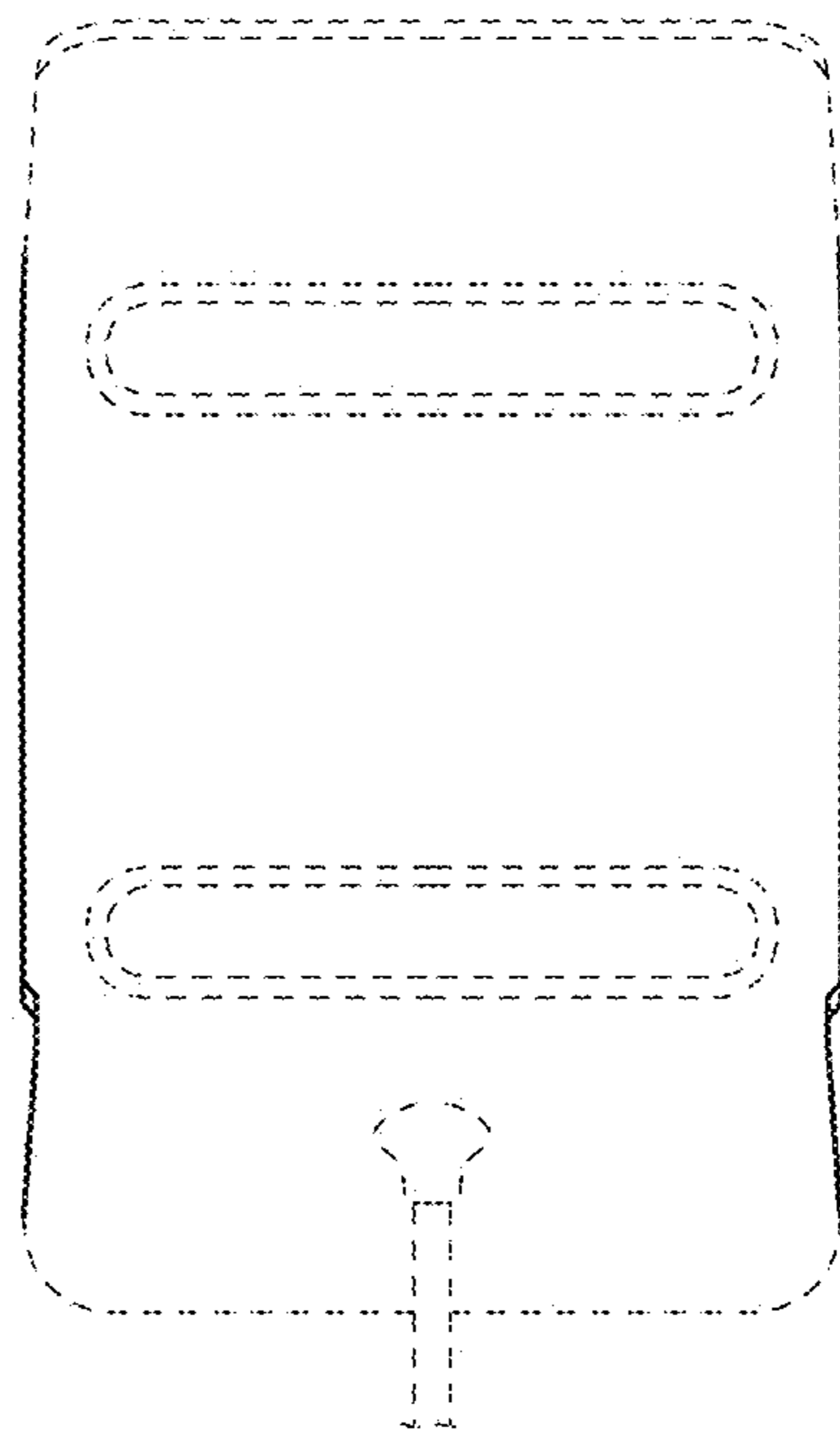


FIG. 14