



US00D751074S

(12) **United States Design Patent**
Liu et al.

(10) **Patent No.:** **US D751,074 S**
(45) **Date of Patent:** **** Mar. 8, 2016**

(54) **DISPLAY**

CPC G06F 1/16; G06F 1/1601; G06F 3/037;
G06F 1/162; F16M 11/10
See application file for complete search history.

(71) Applicants: **HONG FU JIN PRECISION
INDUSTRY (ShenZhen) CO., LTD.**,
Shenzhen (CN); **HON HAI
PRECISION INDUSTRY CO., LTD.**,
New Taipei (TW)

(56) **References Cited**

U.S. PATENT DOCUMENTS

(72) Inventors: **Mei-Hua Liu**, Shenzhen (CN); **Te-Hsu
Wang**, New Taipei (TW); **Chih-Kang
Cho**, New Taipei (TW)

D489,721 S * 5/2004 Peng D14/371
D496,046 S * 9/2004 Lo D14/375
D667,827 S * 9/2012 Park D14/374
D694,210 S * 11/2013 Fujii D14/126
D705,225 S * 5/2014 Huh D14/374

(73) Assignees: **HONG FU JIN PRECISION
INDUSTRY (ShenZhen) CO., LTD.**,
Shenzhen (CN); **HON HAI
PRECISION INDUSTRY CO., LTD.**,
New Taipei (TW)

* cited by examiner

Primary Examiner — Freda S Nunn

(**) Term: **14 Years**

(74) *Attorney, Agent, or Firm* — Novak Druce Connolly
Bove + Quigg LLP

(21) Appl. No.: **29/511,506**

(57) **CLAIM**

The ornamental design for a display, as shown and as
described.

(22) Filed: **Dec. 11, 2014**

DESCRIPTION

(30) **Foreign Application Priority Data**

Nov. 10, 2014 (CN) 2014 3 0439471

(51) **LOC (10) Cl.** **14-02**

(52) **U.S. Cl.**
USPC **D14/374**

(58) **Field of Classification Search**
USPC D14/371–375, 125–129, 336, 337, 341;
341/12; 345/104, 156, 168, 173;
348/180, 184, 325, 739; 349/1, 2, 11,
349/62; 361/679.05–679.07, 679.21;
D6/300, 308

FIG. 1 is a perspective view of a display showing our new
design;

FIG. 2 is a front elevational view thereof;

FIG. 3 is a rear elevational view thereof;

FIG. 4 is a left side elevational view thereof;

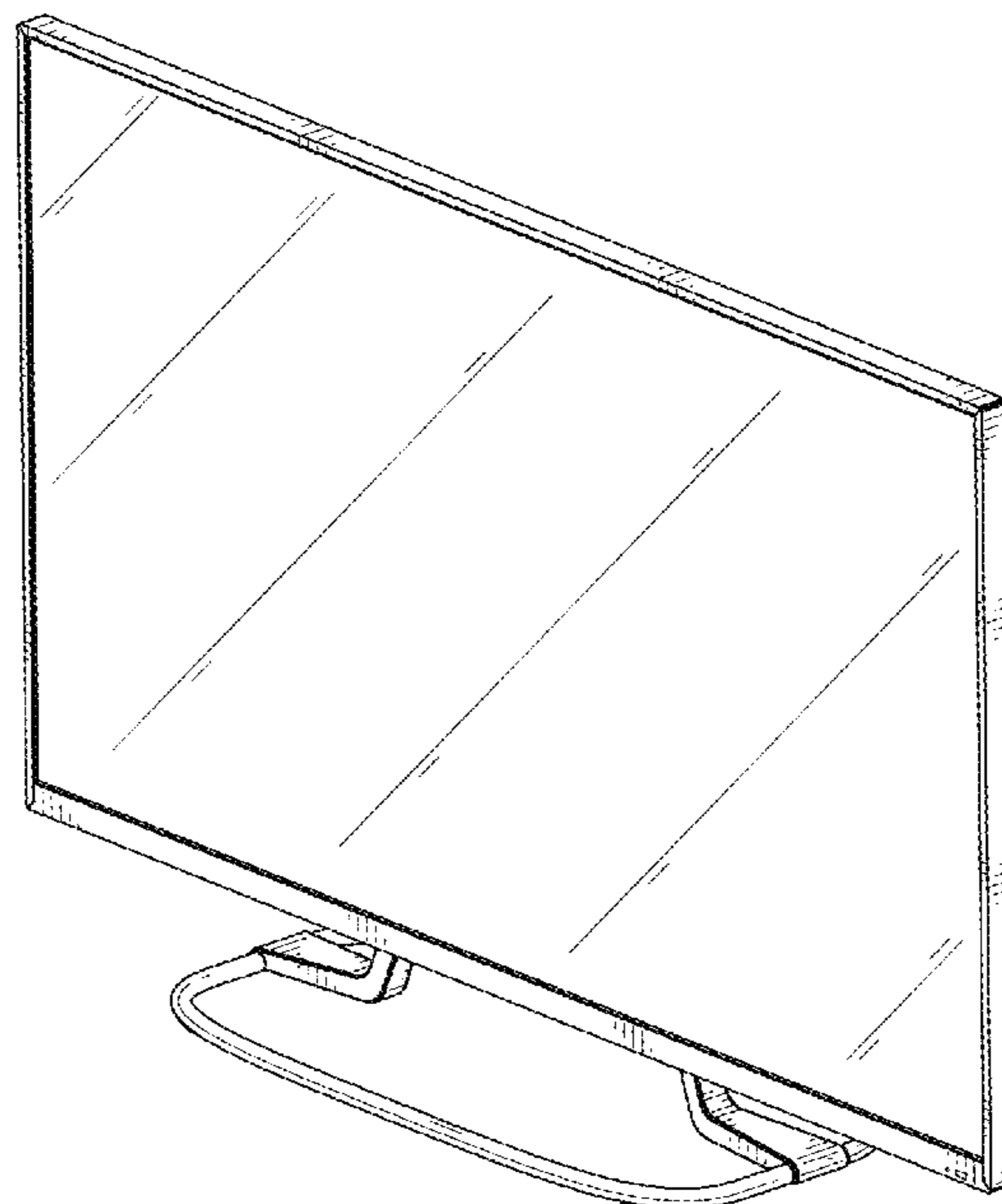
FIG. 5 is a right side elevational view thereof;

FIG. 6 is a top plan view thereof; and,

FIG. 7 is a bottom plan view thereof.

The broken lines in the drawings are employed to show
unclaimed portions of a display only, and form no part of the
claimed design.

1 Claim, 7 Drawing Sheets



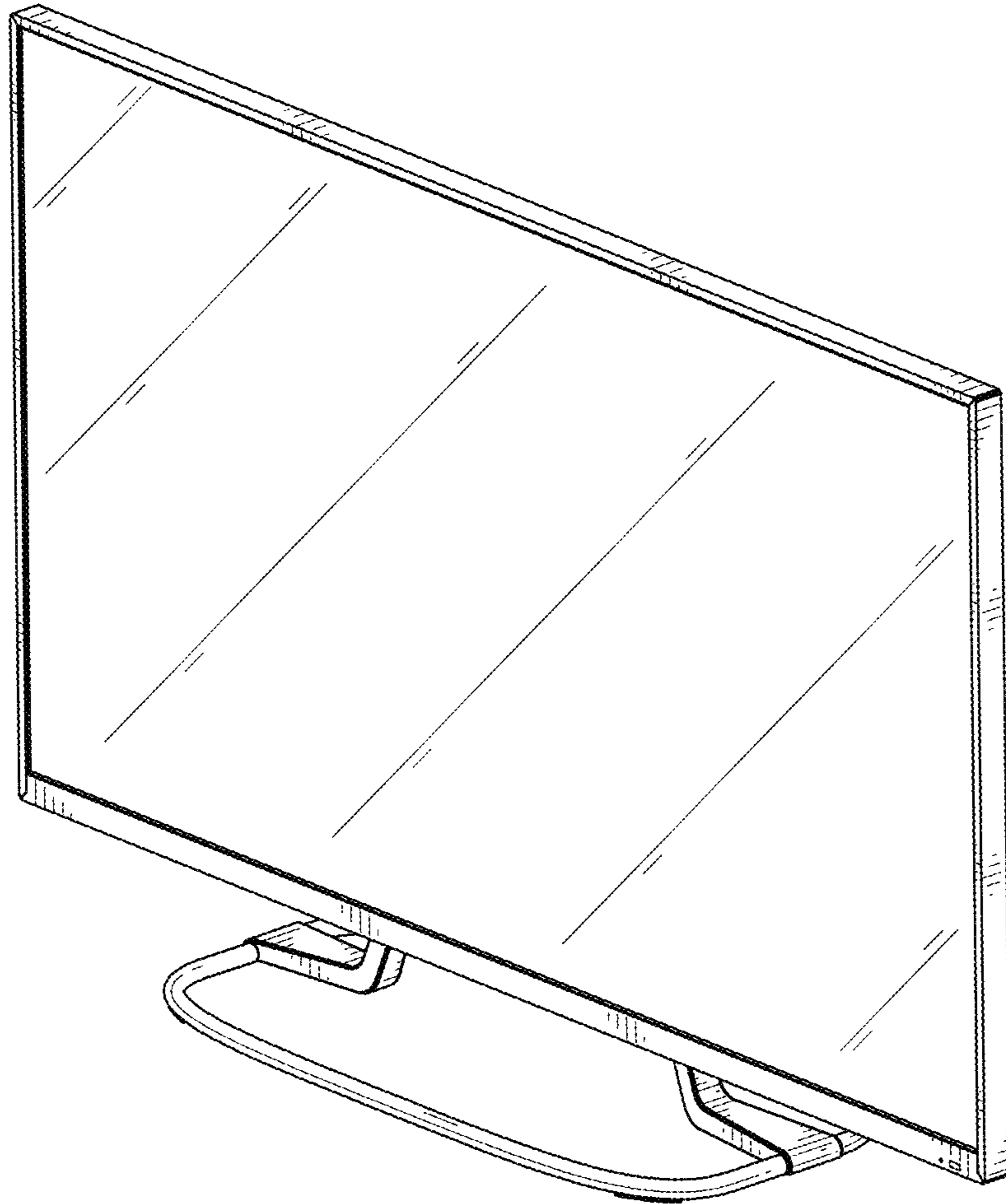


FIG. 1

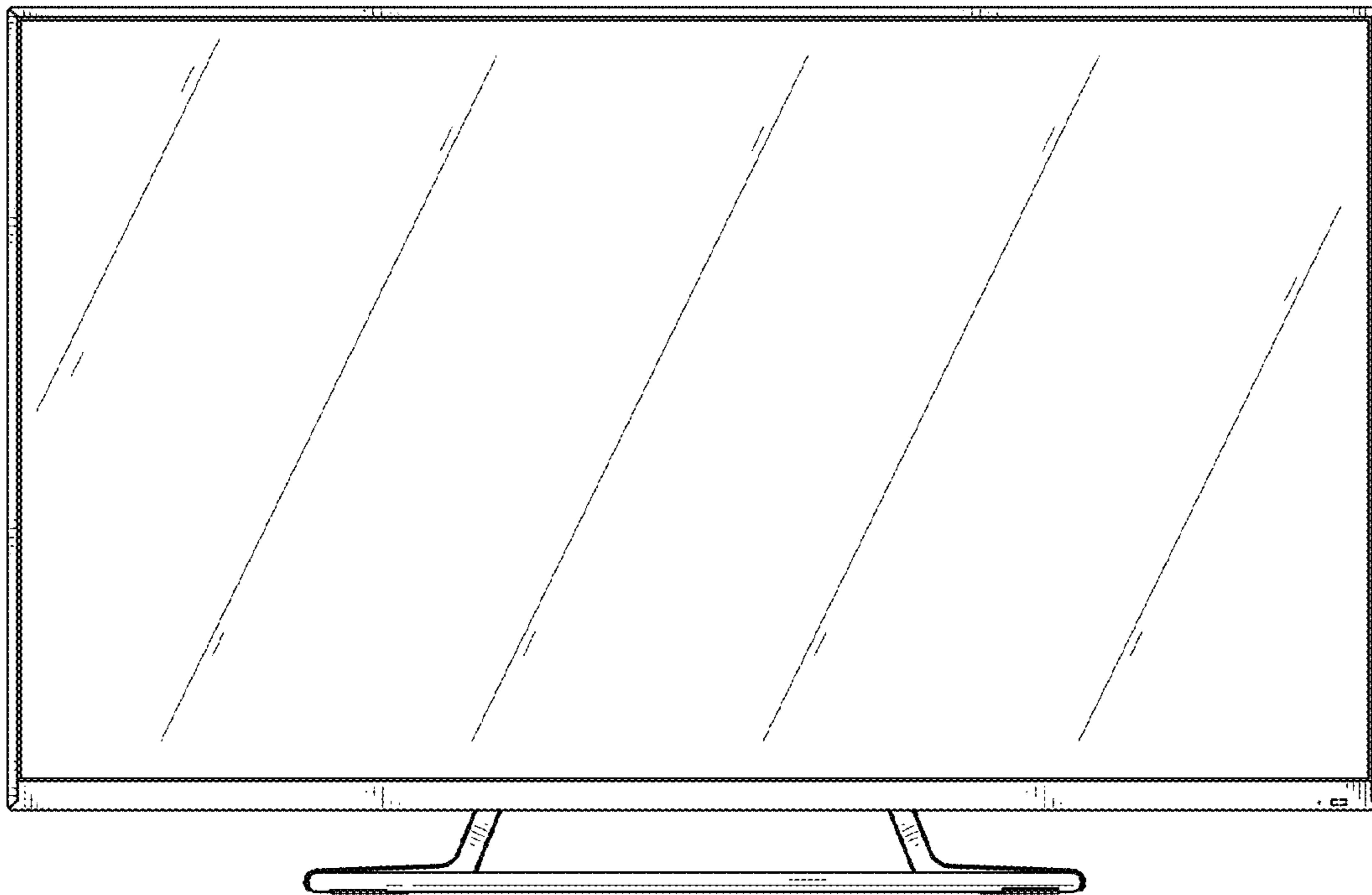


FIG. 2

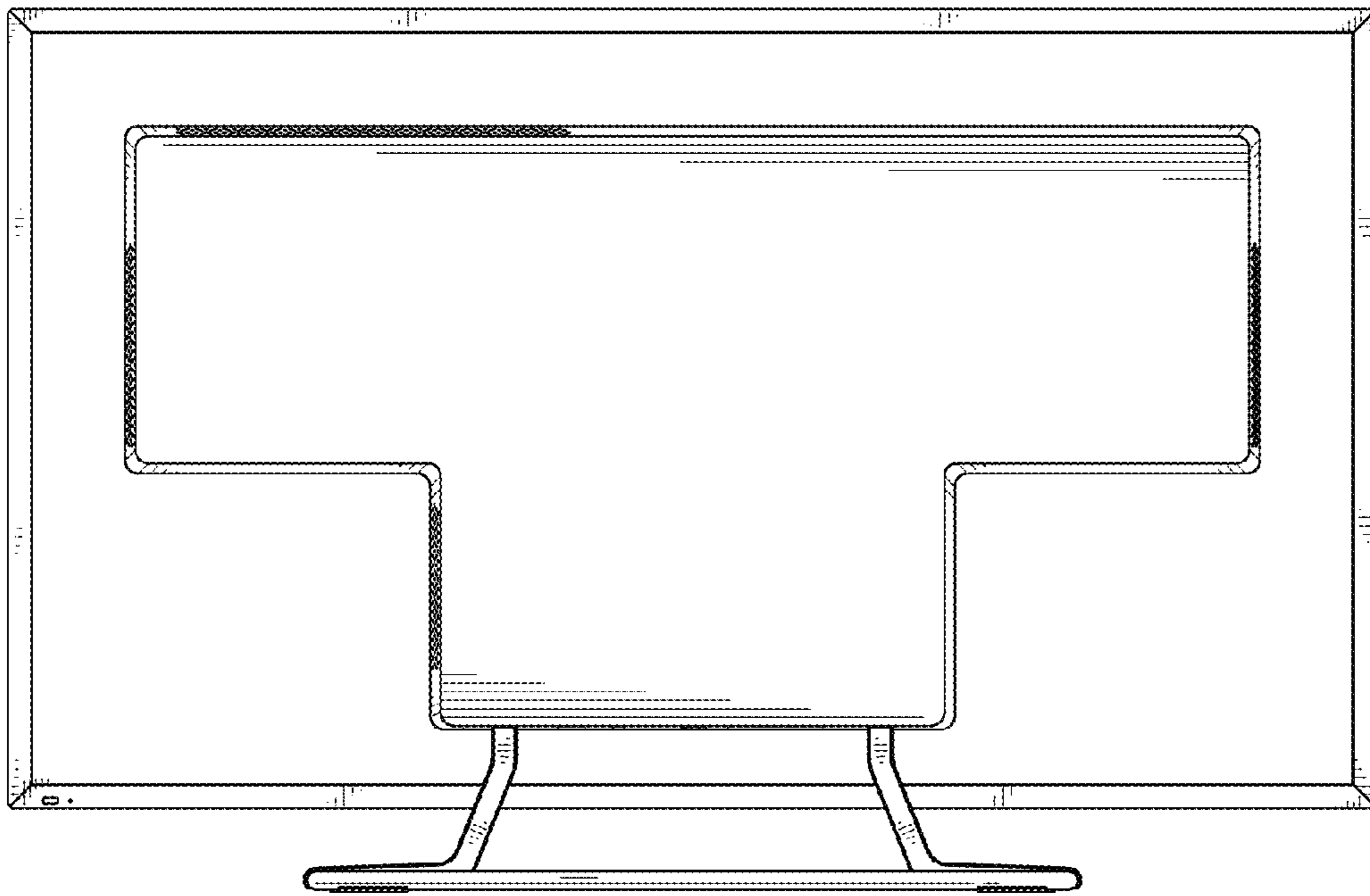


FIG. 3

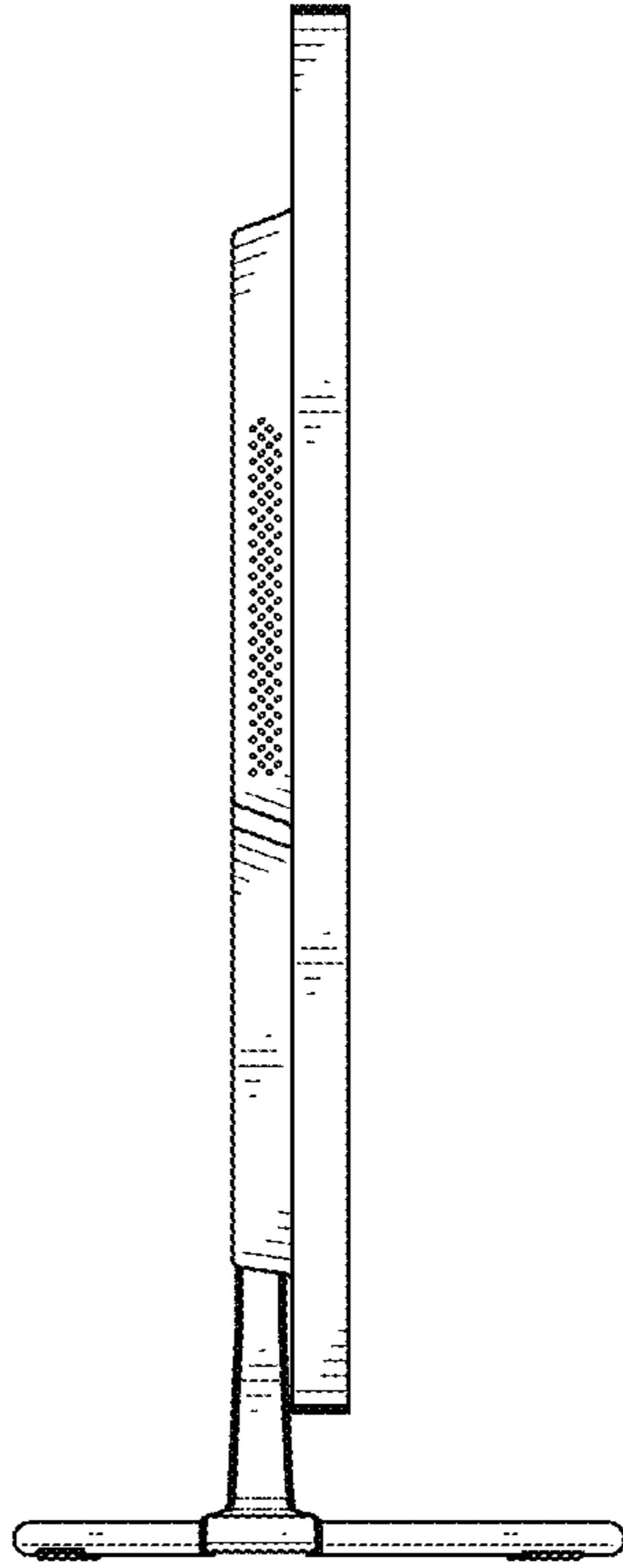


FIG. 4

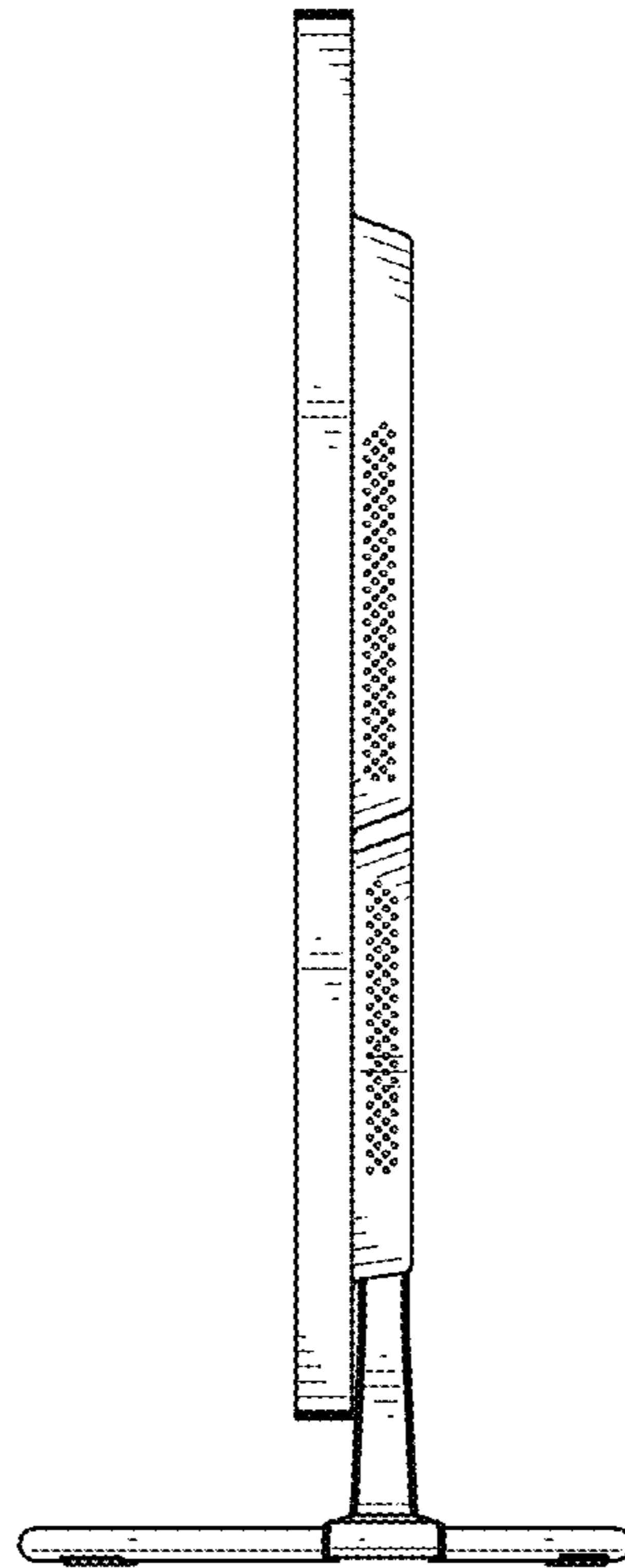


FIG. 5

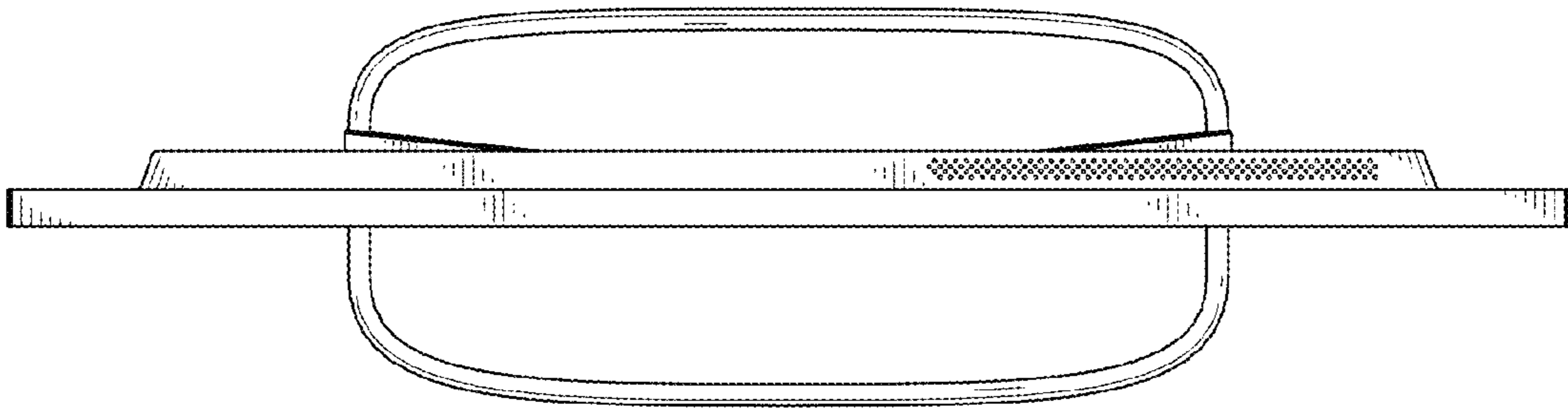


FIG. 6

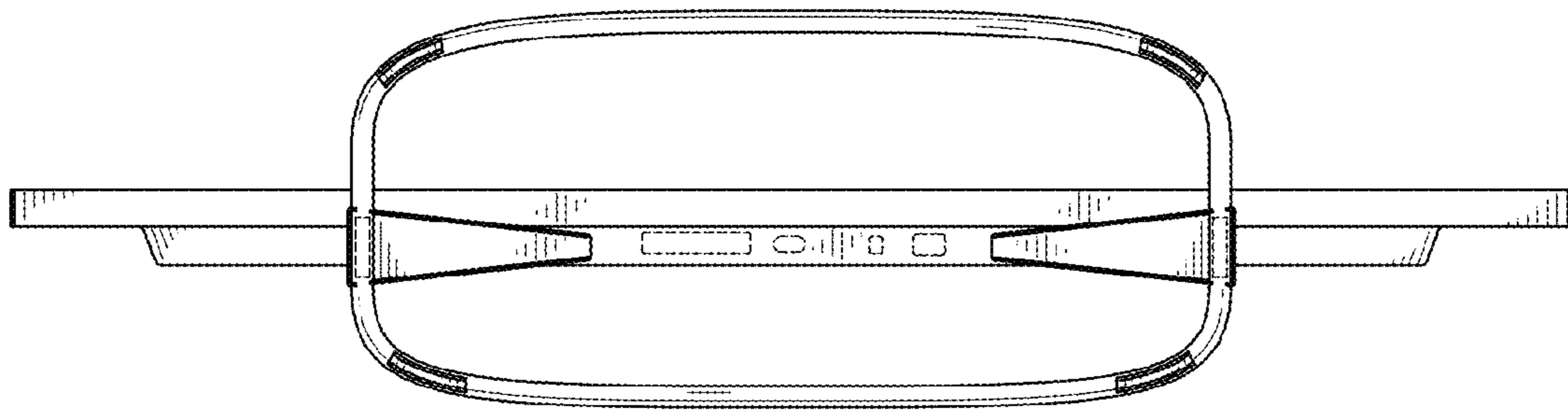


FIG. 7