



US00D751073S

(12) **United States Design Patent**
Nagao

(10) **Patent No.:** **US D751,073 S**
(45) **Date of Patent:** **** Mar. 8, 2016**

- (54) **HEAD MOUNTED DISPLAY**
- (71) Applicant: **FUJITSU LIMITED**, Kawasaki-shi, Kanagawa (JP)
- (72) Inventor: **Eiji Nagao**, Ichikawa (JP)
- (73) Assignee: **FUJITSU LIMITED**, Kawasaki (JP)
- (**) Term: **14 Years**
- (21) Appl. No.: **29/519,255**
- (22) Filed: **Mar. 3, 2015**
- (30) **Foreign Application Priority Data**
Nov. 7, 2014 (JP) 2014-024803
- (51) **LOC (10) Cl.** **14-02**
- (52) **U.S. Cl.**
USPC **D14/372**
- (58) **Field of Classification Search**
USPC D14/372, 496, 432, 371, 125, 126, 129, D14/299; D16/300-342; 351/158, 153, 144; 345/7-9, 905; 455/344; 348/115, 53, 348/121, 739
CPC G02B 27/017; G02B 27/0158; G02B 27/0161; G02B 27/0181; G02B 27/0185; G02B 27/0189
See application file for complete search history.

- (56) **References Cited**
U.S. PATENT DOCUMENTS
D505,969 S * 6/2005 Yeung D16/309
D692,424 S * 10/2013 Pombo D14/372
D702,234 S * 4/2014 Pombo D14/372
D713,406 S * 9/2014 Pombo D14/372
D714,786 S * 10/2014 Pombo D14/372
D719,572 S * 12/2014 Lee D14/372
D724,084 S * 3/2015 Choo D14/372
D724,586 S * 3/2015 Choo D14/372
D726,721 S * 4/2015 Olsson D14/372
D727,319 S * 4/2015 Kim D14/372
D727,896 S * 4/2015 Laluque D14/372

- D728,566 S * 5/2015 Kim D14/372
- D730,352 S * 5/2015 Chow D14/372
- D735,716 S * 8/2015 Lee D14/372
- D737,272 S * 8/2015 Olsson D14/372
- D737,821 S * 9/2015 Cho D14/205
- D740,284 S * 10/2015 Maeda D14/372
- 2013/0285886 A1 * 10/2013 Pombo G02B 27/0149 345/8

* cited by examiner

Primary Examiner — Austin Murphy
(74) *Attorney, Agent, or Firm* — Staas & Halsey LLP

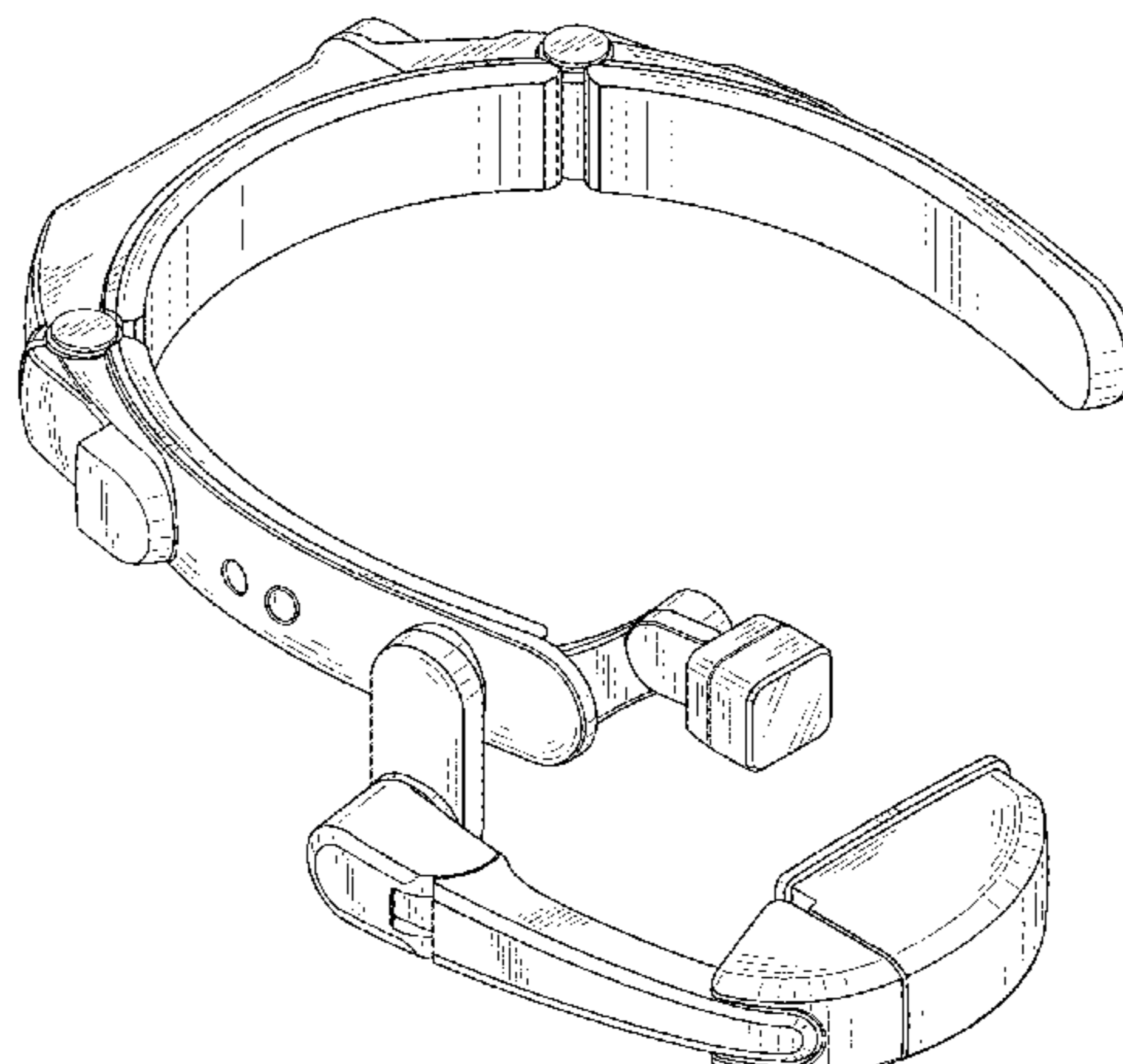
(57) **CLAIM**

The ornamental design for a head mounted display, as shown and described.

DESCRIPTION

FIG. 1 is a perspective view of front, top and left side of a head mounted display showing my new design;
 FIG. 2 is a perspective view of rear, bottom and right side thereof;
 FIG. 3 is a front view thereof;
 FIG. 4 is a rear view thereof;
 FIG. 5 is a left side view thereof;
 FIG. 6 is a right side view thereof;
 FIG. 7 is a top view thereof;
 FIG. 8 is a bottom view thereof;
 FIG. 9 is a front view thereof showing an intermediate state that a display rises upwardly;
 FIG. 10 is a left side view thereof showing an intermediate state that a display rises upwardly;
 FIG. 11 is a front view thereof showing a final state that a display rises upwardly;
 FIG. 12 is a left side view thereof showing a final state that a display rises upwardly;
 FIG. 13 is a perspective view thereof showing a state that a head-attach-belt is attached;
 FIG. 14 is a perspective view of usage showing a wearing state; and,
 FIG. 15 is a perspective view of usage showing a wearing state.
 The broken lines shown are included for the purpose of illustrating the unclaimed portions of a head mounted display and form no part of the claimed design.

1 Claim, 11 Drawing Sheets



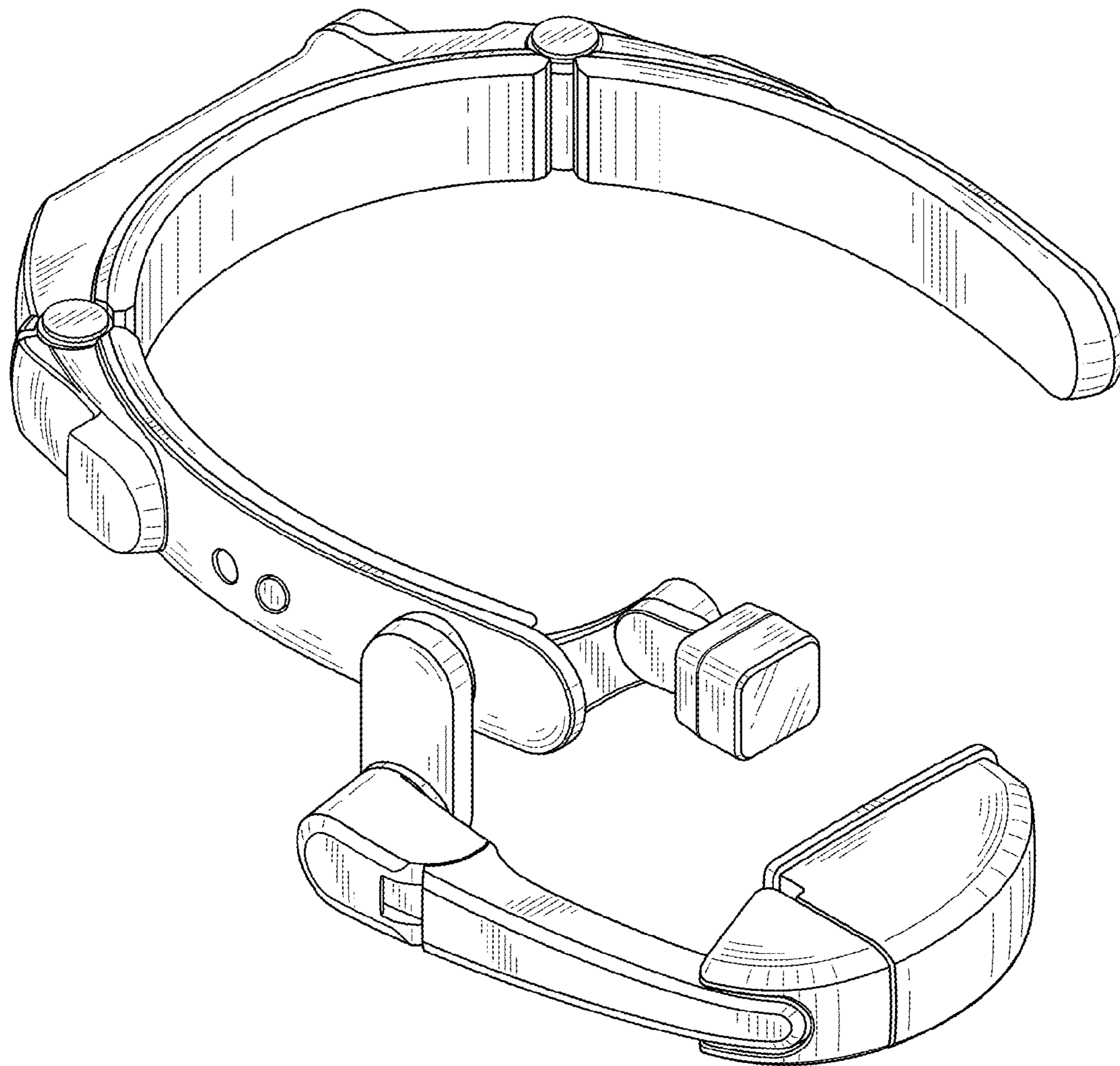


FIG. 1

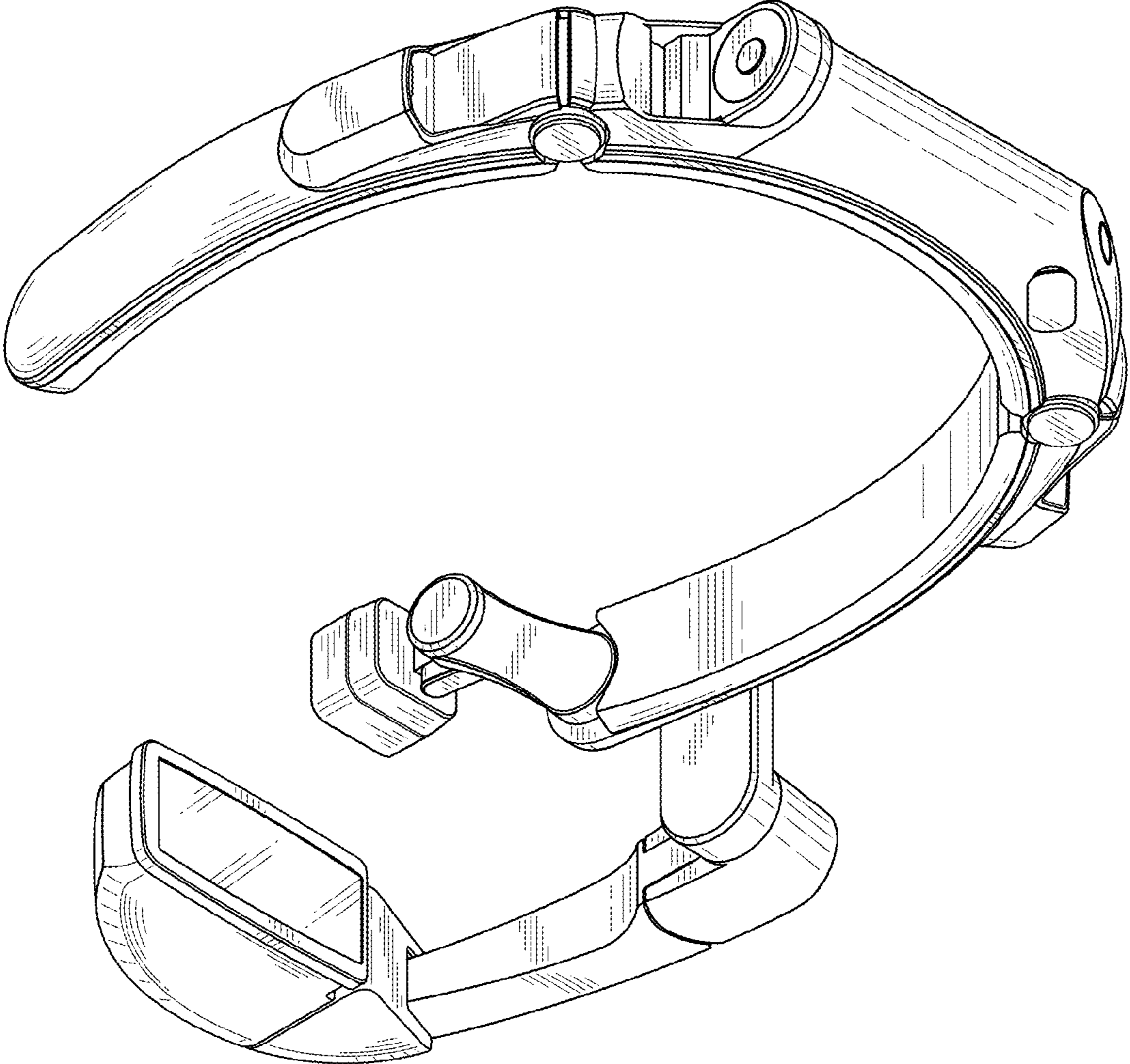


FIG. 2

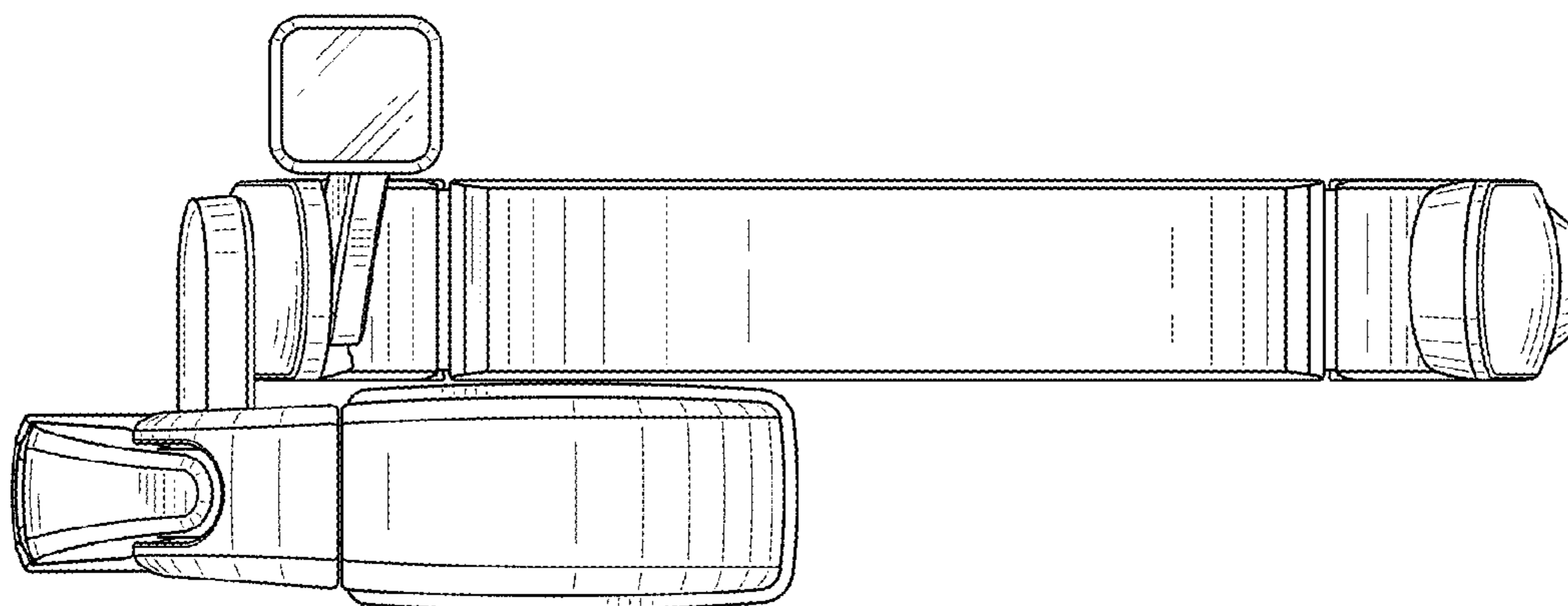


FIG. 3

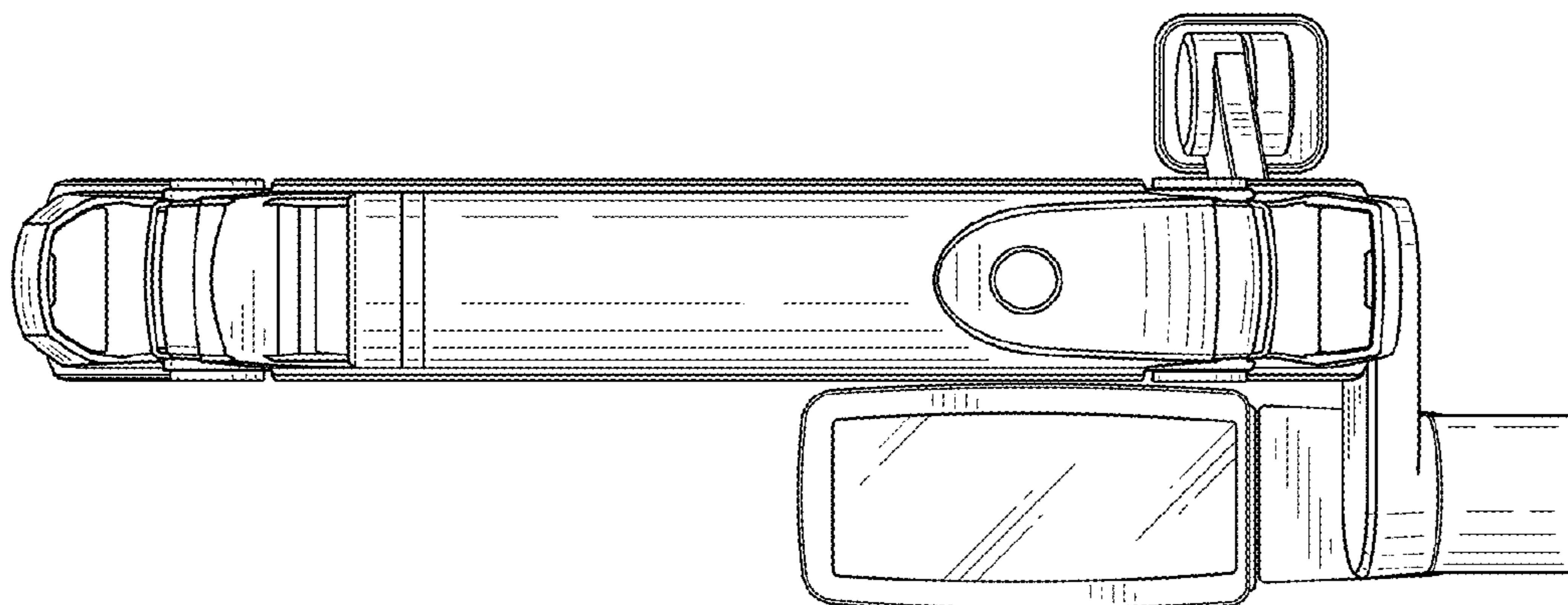


FIG. 4

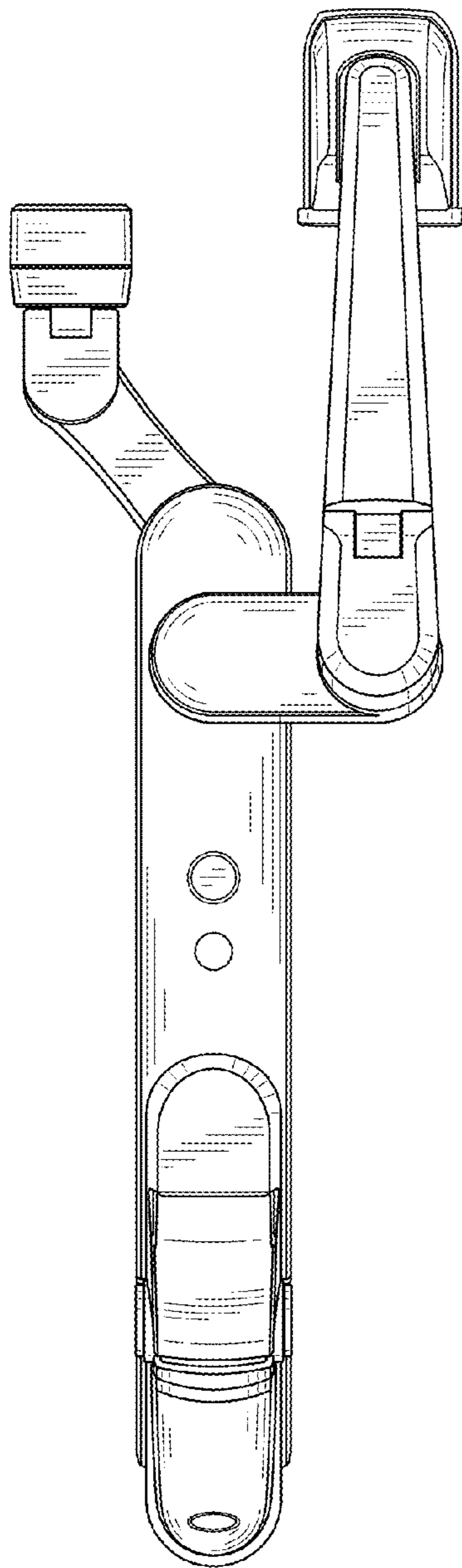


FIG. 5

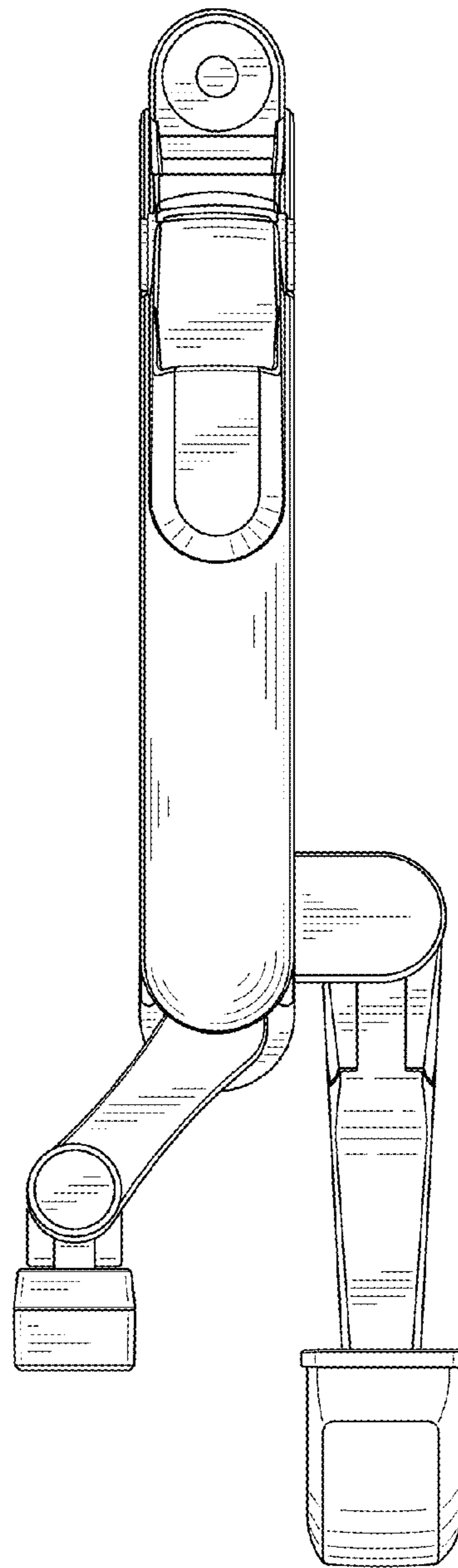


FIG. 6

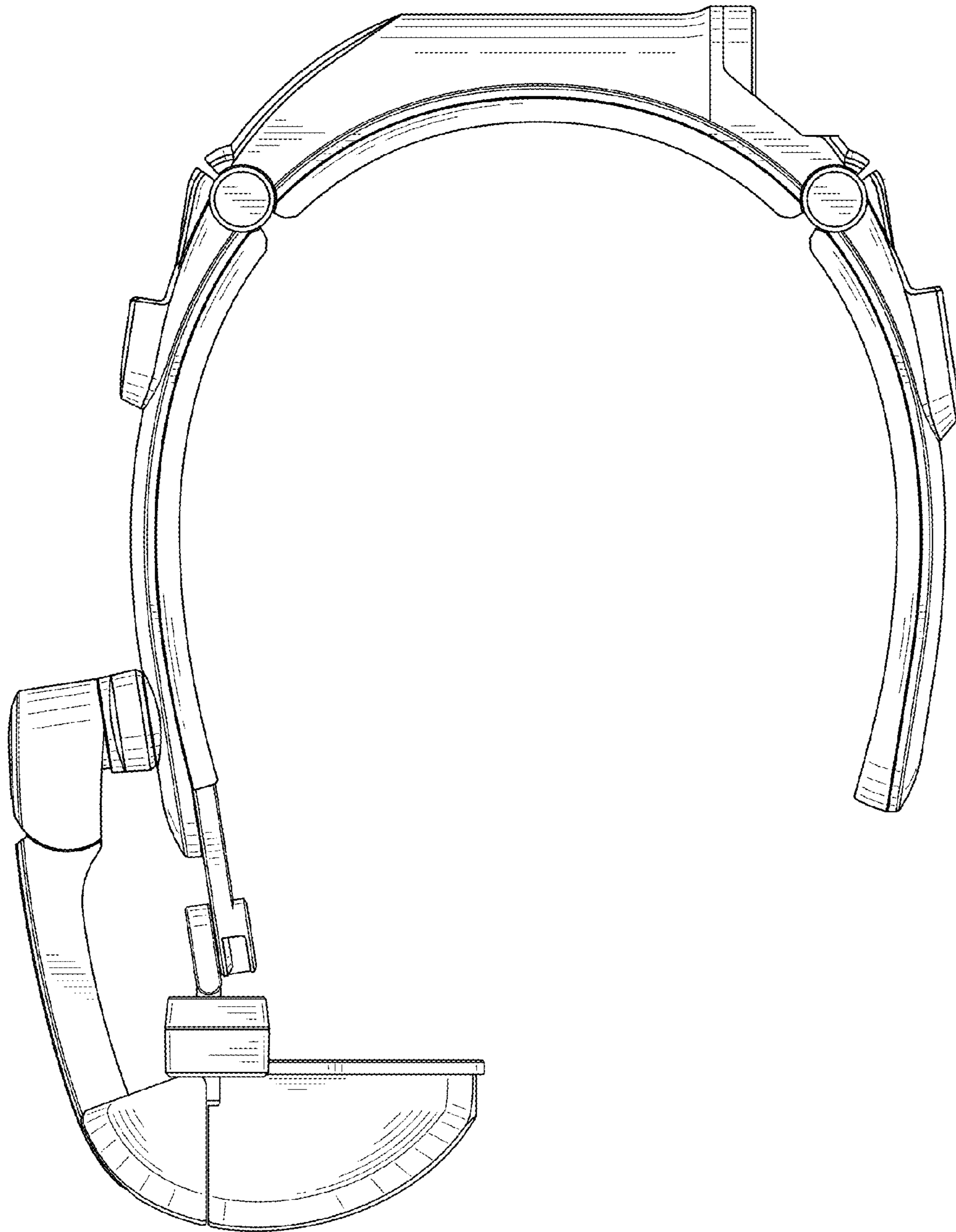


FIG. 7

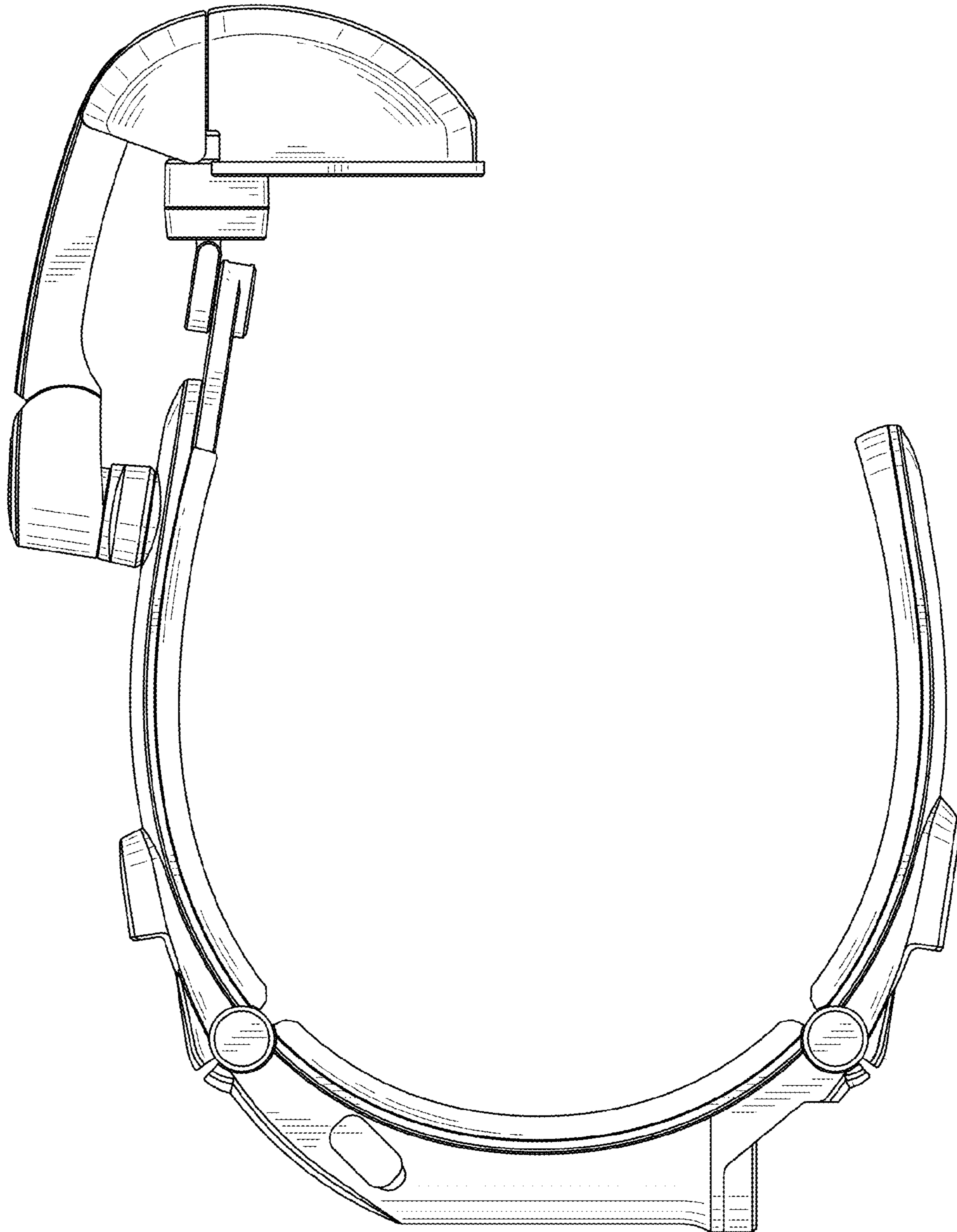


FIG. 8

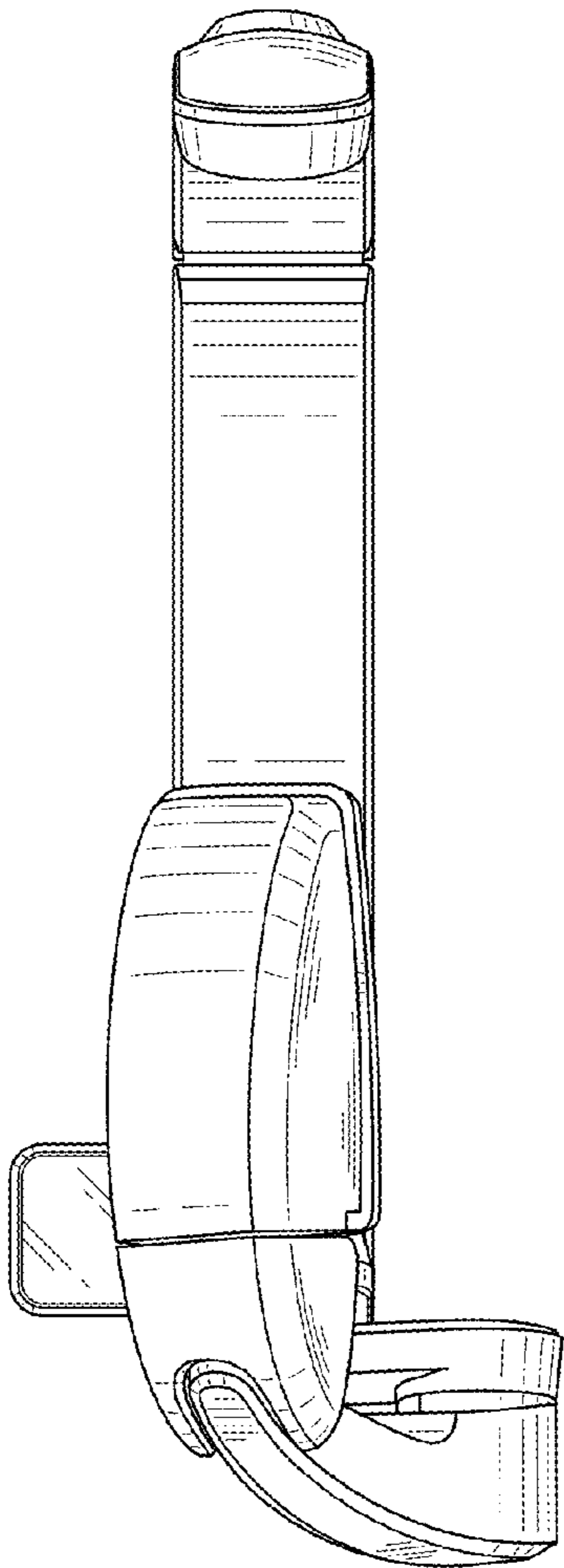


FIG. 9

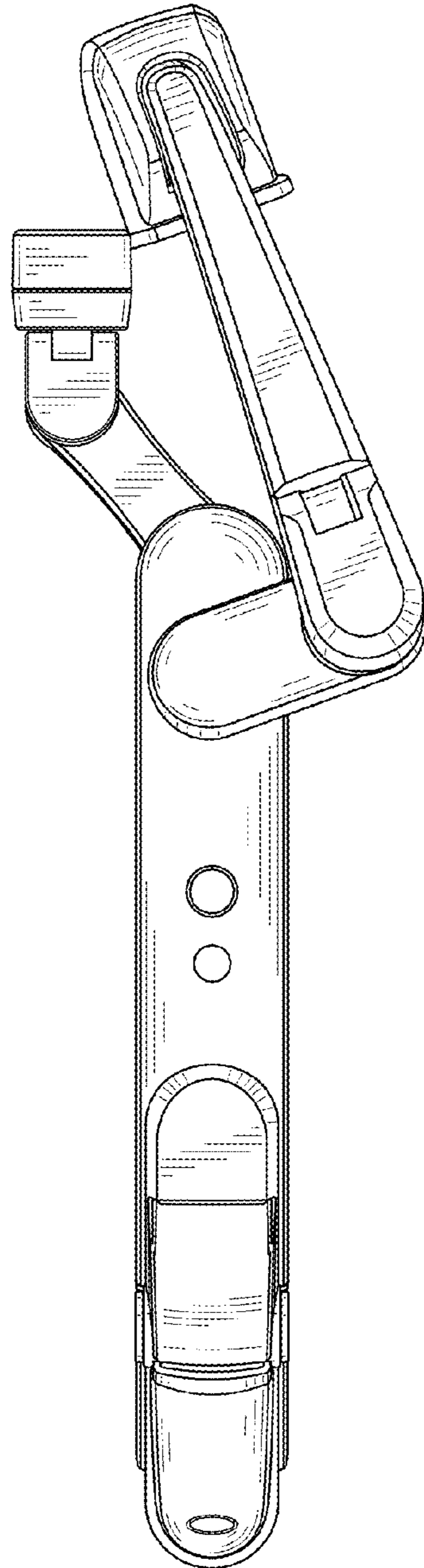


FIG. 10

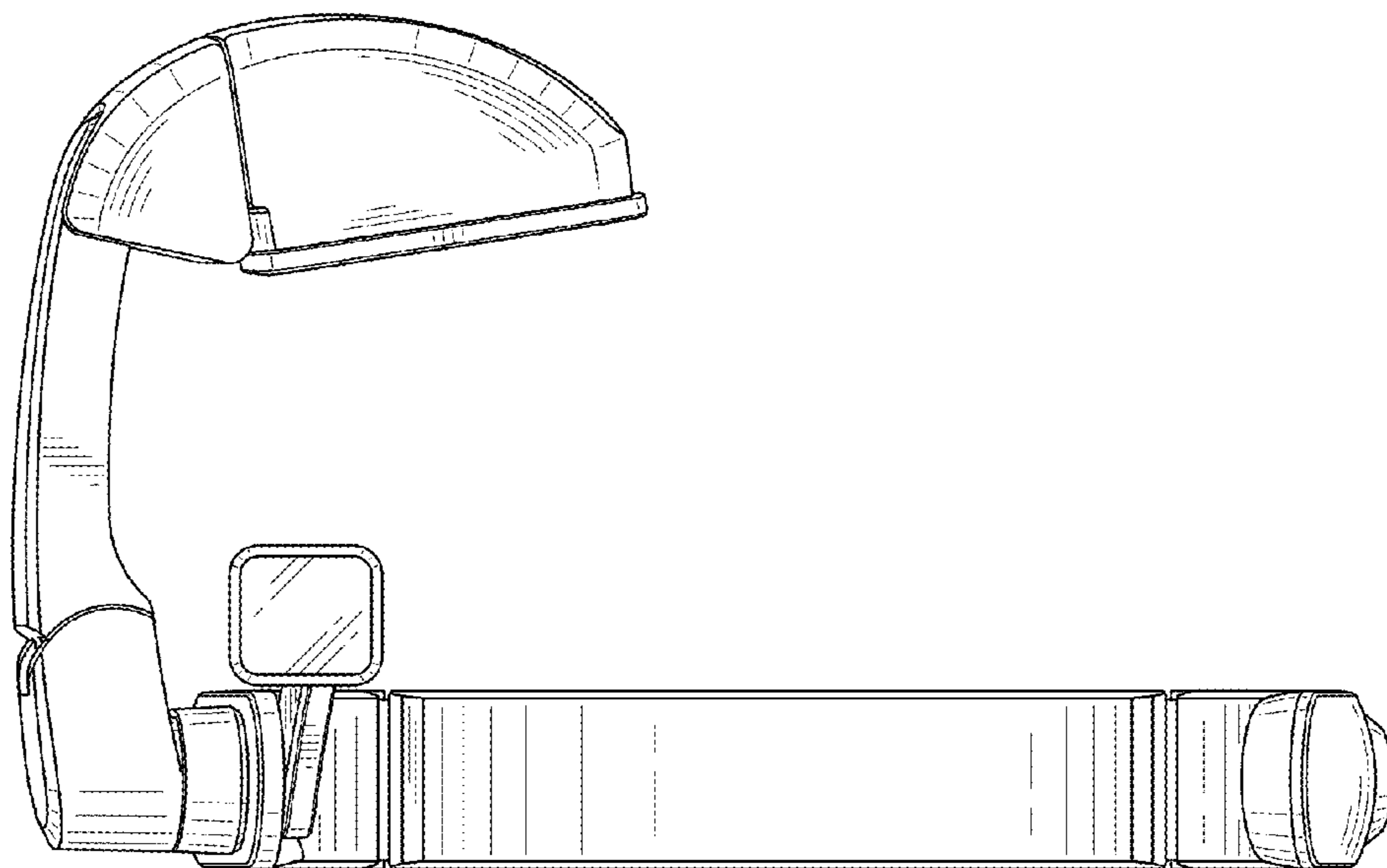


FIG. 11

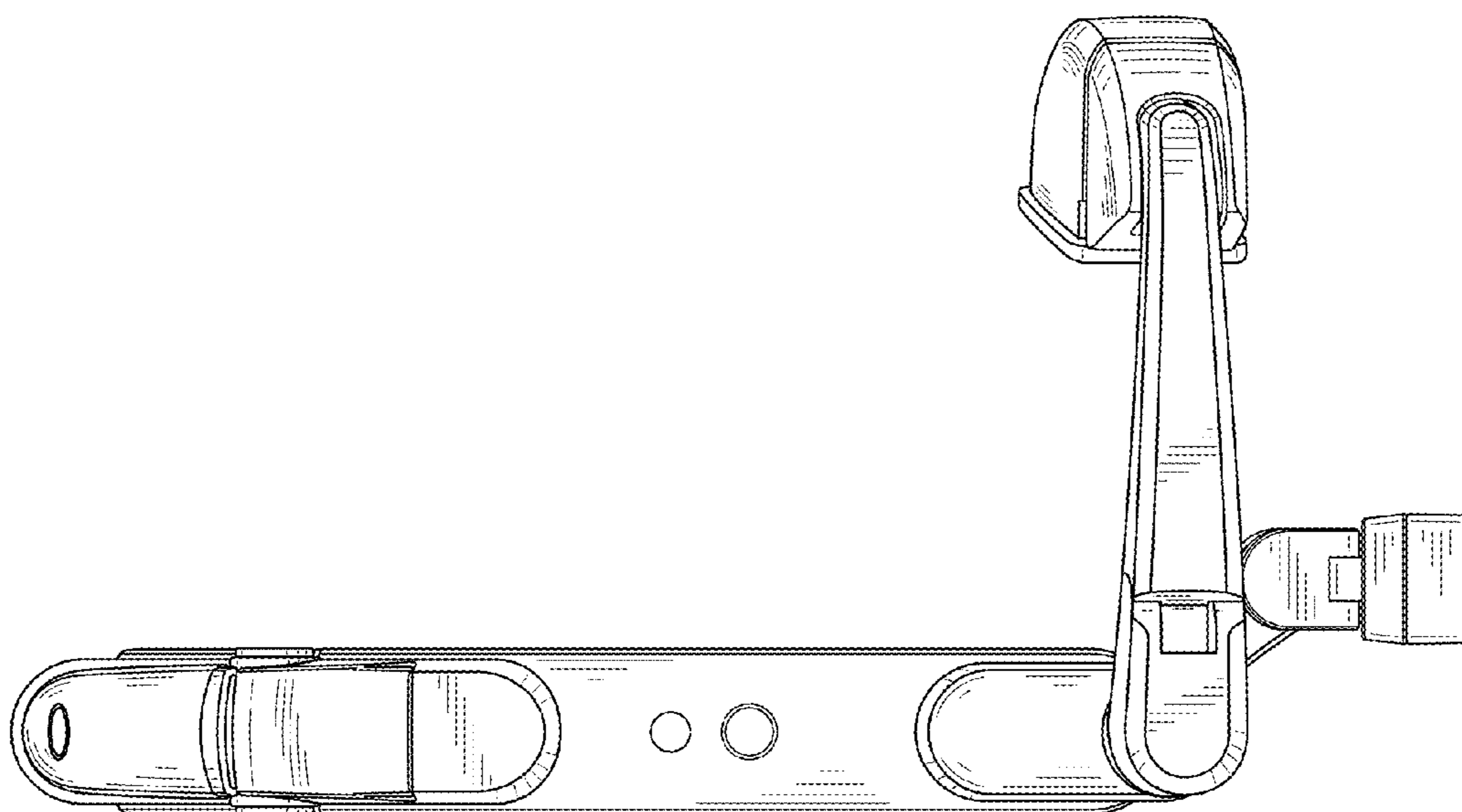


FIG. 12

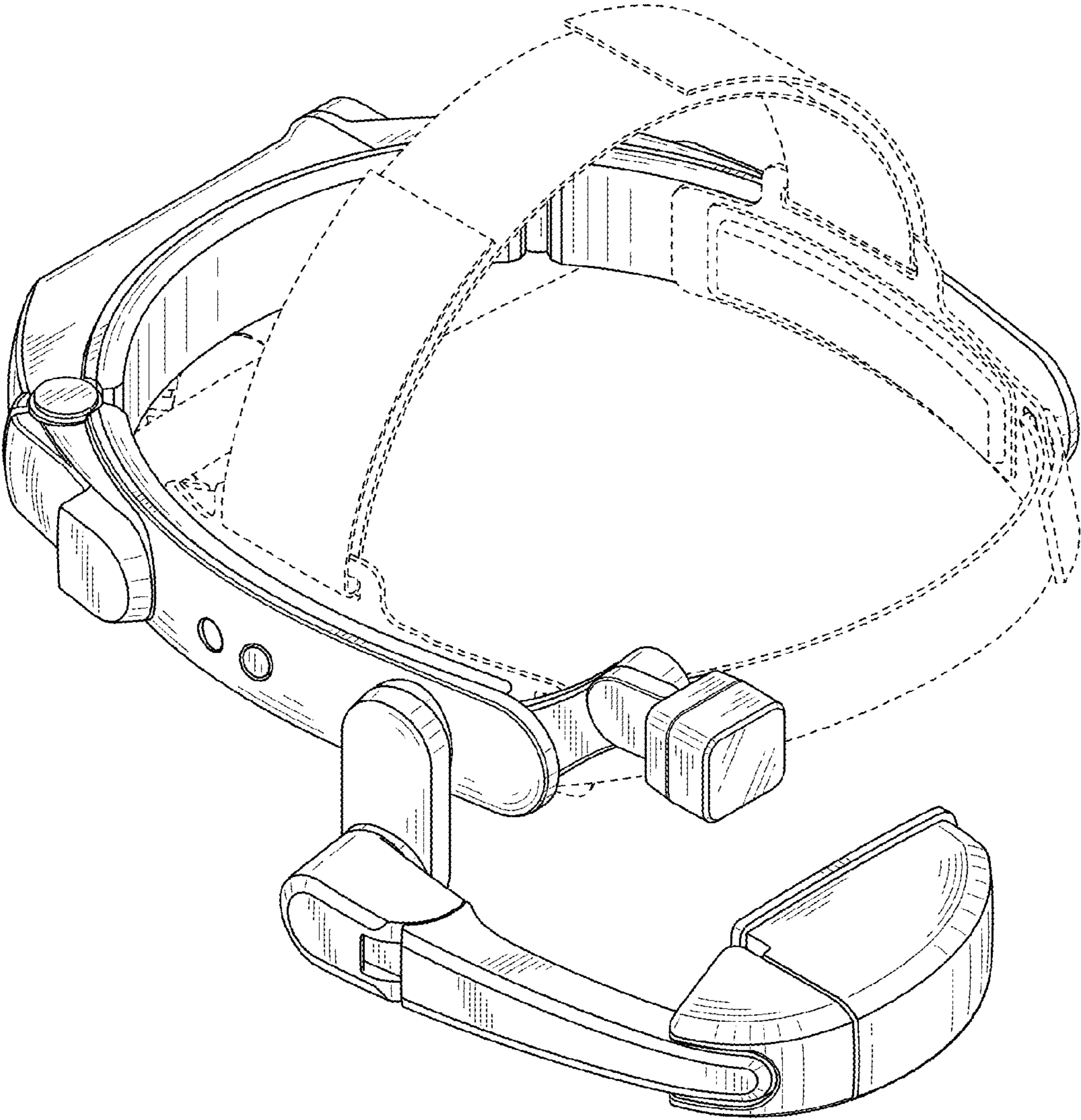


FIG. 13

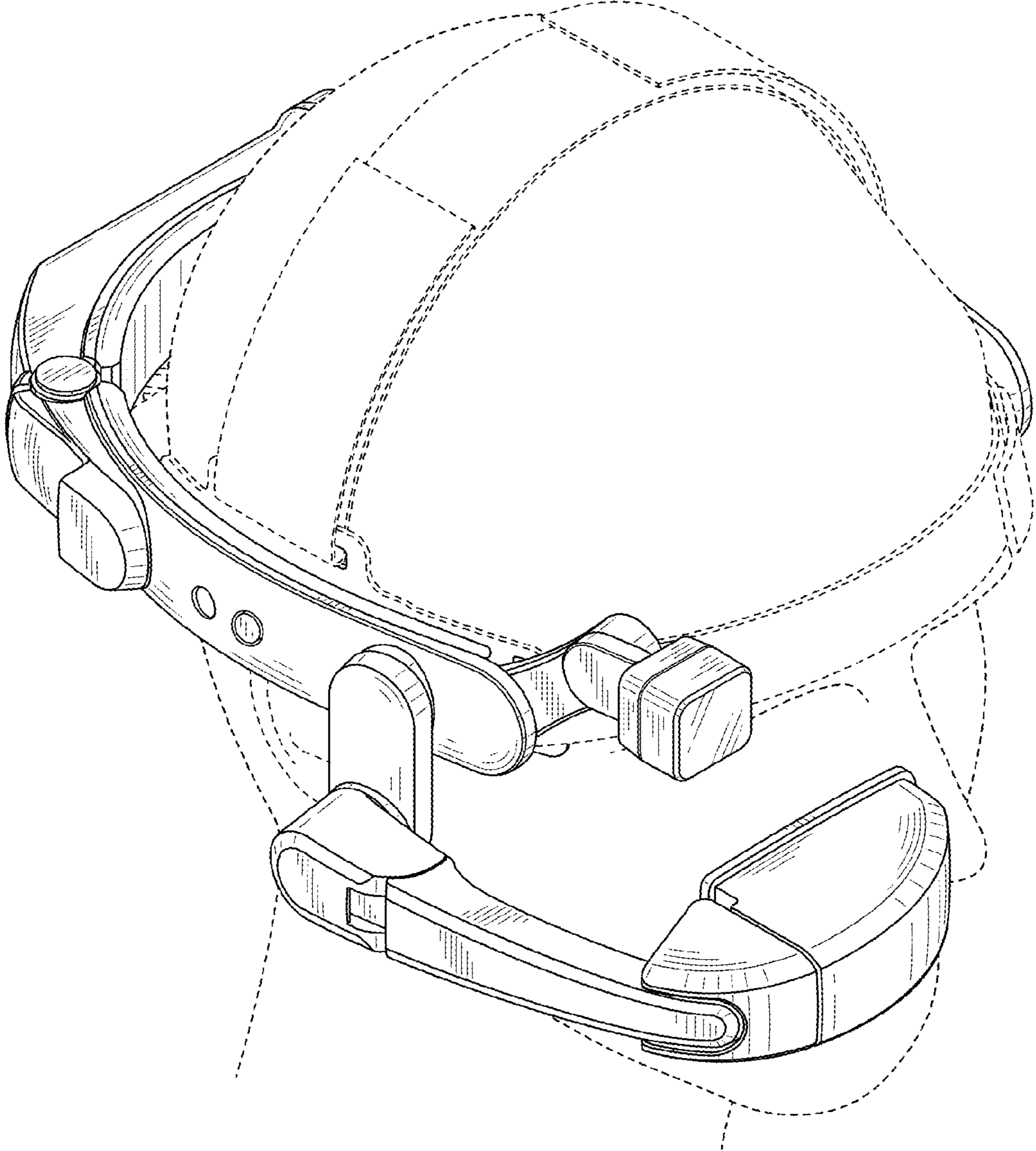


FIG. 14

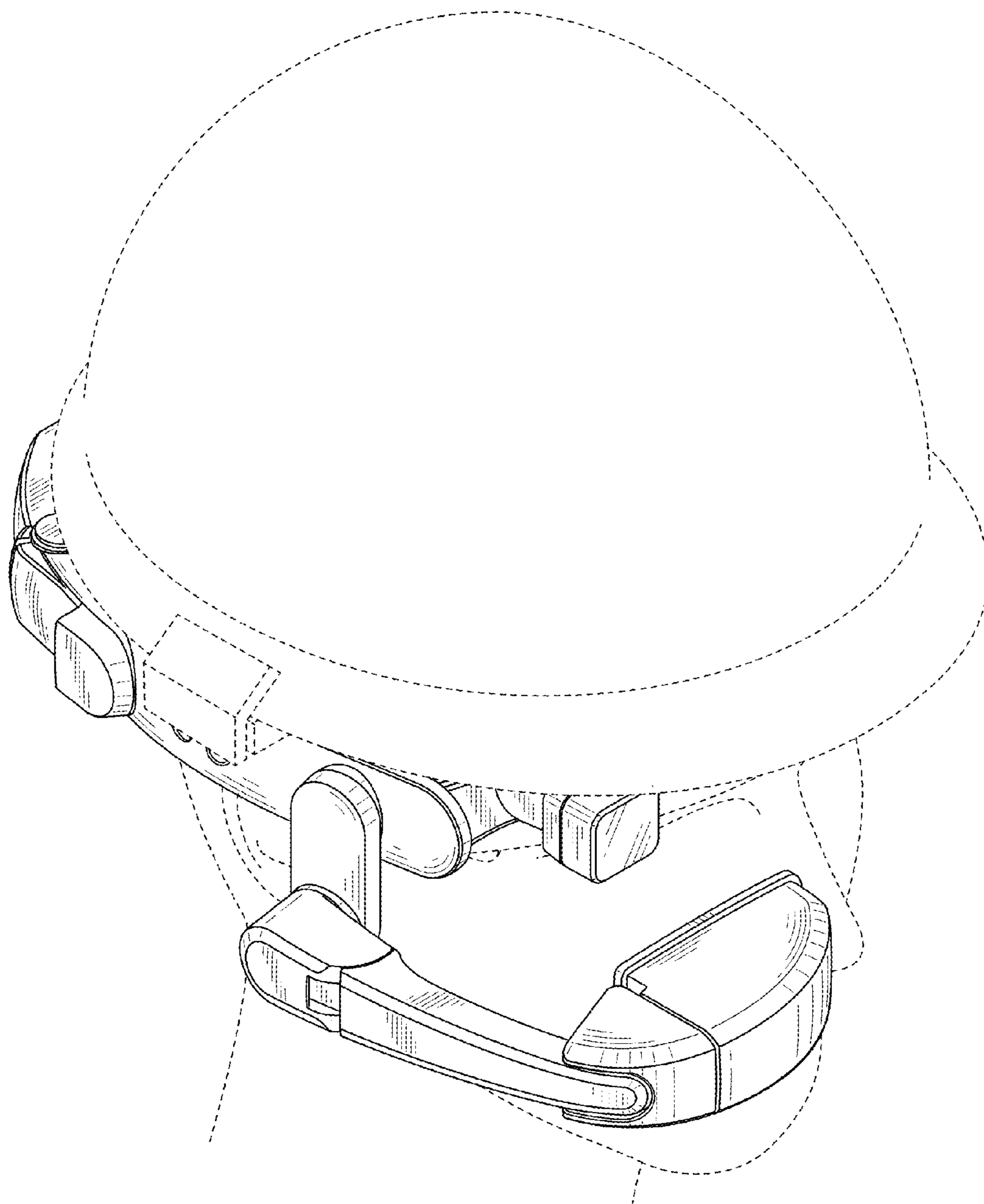


FIG. 15