



US00D751072S

(12) **United States Design Patent**
Lyons

(10) **Patent No.:** **US D751,072 S**
(45) **Date of Patent:** **** Mar. 8, 2016**

- (54) **MOBILE HEAD MOUNTED DISPLAY**
- (71) Applicant: **MERGE LABS, INC.**, Austin, TX (US)
- (72) Inventor: **Franklin A. Lyons**, San Antonio, TX (US)
- (73) Assignee: **Merge Labs, Inc.**, San Antonio, TX (US)
- (**) Term: **14 Years**
- (21) Appl. No.: **29/482,445**
- (22) Filed: **Feb. 18, 2014**
- (51) **LOC (10) Cl.** **14-02**
- (52) **U.S. Cl.**
USPC **D14/372**
- (58) **Field of Classification Search**
USPC D14/372, 496, 432, 371, 125, 126, 129, D14/299; D16/300-342; 351/158, 153, 144; 345/7-9, 905; 455/344; 348/115, 53, 348/121, 739
CPC G02B 27/017; G02B 27/0158; G02B 27/0161; G02B 27/0181; G02B 27/0185; G02B 27/0189
See application file for complete search history.

(56) **References Cited**

U.S. PATENT DOCUMENTS

4,707,863	A	11/1987	McNeal	
5,128,671	A	7/1992	Thomas, Jr.	
D338,514	S *	8/1993	Holmes	D14/372
5,422,684	A	6/1995	Keller	
5,440,326	A	8/1995	Quinn	
D363,482	S *	10/1995	Robinson et al.	D14/372
5,495,576	A	2/1996	Ritchey	
D369,595	S *	5/1996	Kober et al.	D14/372
D370,909	S *	6/1996	Oikawa et al.	D14/372
5,696,521	A	12/1997	Robinson et al.	
D415,146	S *	10/1999	Hori	D14/372
D417,666	S *	12/1999	Morooka	D14/372

6,038,707	A	3/2000	Ryden et al.	
6,067,192	A	5/2000	Lichtenfield et al.	
D427,982	S *	7/2000	Ishii	D14/372
6,150,998	A	11/2000	Travers et al.	
D440,967	S *	4/2001	Jung	D14/372
6,234,446	B1	5/2001	Patterson	
6,665,885	B2	12/2003	Masumoto	
7,002,551	B2	2/2006	Azuma et al.	
7,158,118	B2	1/2007	Liberty	
7,173,604	B2	2/2007	Marvit et al.	
7,239,301	B2	7/2007	Liberty et al.	
7,414,611	B2	8/2008	Liberty	
7,489,298	B2	2/2009	Liberty et al.	
7,542,210	B2	6/2009	Chirieleison, Sr.	

(Continued)

OTHER PUBLICATIONS

Hutter, M., "DIY 3D Virtual Reality Goggles," <http://www.hutter1.net/puzzles/3dvrglass.htm>, Jan. 21, 2014, pp. 1-7.
World Intellectual Property Organization, International Search Report and Written Opinion for International Application No. PCT/US2015/16445, mail date Jul. 14, 2015, pp. 1-25.

(Continued)

Primary Examiner — Austin Murphy
(74) *Attorney, Agent, or Firm* — Jonathan Pearce; Steven C. Sereboff; SoCal IP Law Group LLP

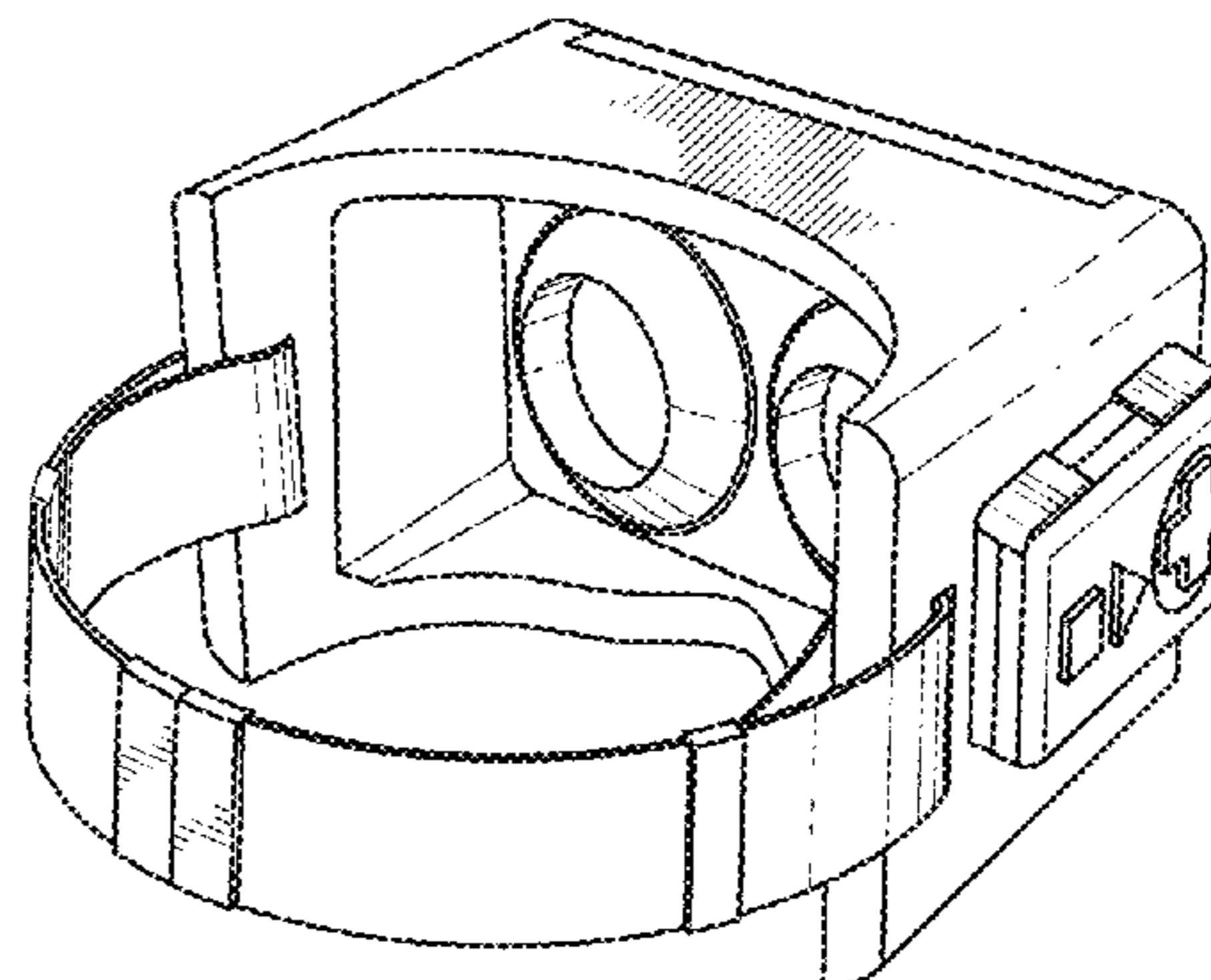
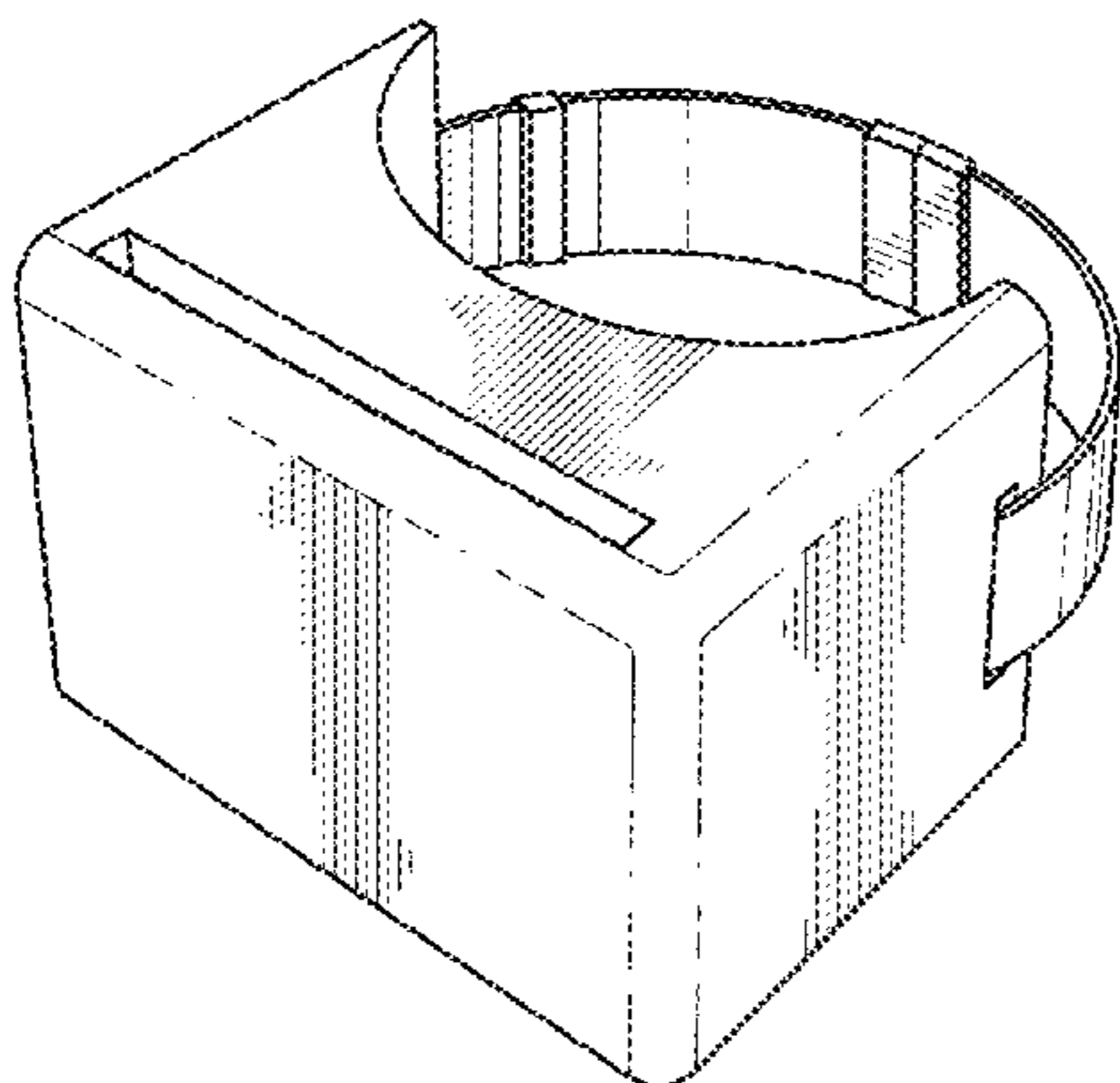
(57) **CLAIM**

The ornamental design for a mobile head mounted display, as shown.

DESCRIPTION

FIG. 1 is a front perspective view of a mobile head mounted display;
FIG. 2 is a back perspective view thereof;
FIG. 3 is a front view thereof;
FIG. 4 is a right side view thereof;
FIG. 5 is a front view thereof;
FIG. 6 is a bottom view thereof; and,
FIG. 7 is a top view thereof.

1 Claim, 4 Drawing Sheets



(56)

References Cited

U.S. PATENT DOCUMENTS

7,667,962	B2	2/2010	Mullen	
D645,862	S *	9/2011	Paul	D14/372
8,072,424	B2	12/2011	Liberty	
8,137,195	B2	3/2012	Penzias	
8,180,411	B2	5/2012	Skagmo et al.	
8,212,859	B2	7/2012	Tang et al.	
8,237,657	B2	8/2012	Liberty et al.	
D687,434	S *	8/2013	Serota	D14/372
8,549,415	B2	10/2013	Tang	
8,581,841	B2	11/2013	Simpkins et al.	
8,605,008	B1	12/2013	Prest et al.	
8,723,699	B2	5/2014	Ivanov et al.	
8,766,917	B2	7/2014	Liberty et al.	
8,795,079	B2	8/2014	Penzias, III	
8,831,255	B2	9/2014	Crawford et al.	
8,881,316	B2	11/2014	Reyes et al.	
D719,953	S *	12/2014	Nokuo et al.	D14/372
8,928,635	B2	1/2015	Harley et al.	
8,957,835	B2	2/2015	Hoellwarth	
D727,318	S *	4/2015	Garcia Marin et al.	D14/372
2008/0015017	A1	1/2008	Ashida et al.	
2011/0261452	A1	10/2011	Kory	
2011/0304577	A1	12/2011	Brown et al.	
2013/0237146	A1 *	9/2013	Serota	455/12.1
2013/0335573	A1	12/2013	Forutanpour et al.	
2014/0098009	A1	4/2014	Prest et al.	
2014/0152531	A1	6/2014	Murray et al.	

OTHER PUBLICATIONS

Steed, Anthony and Julier, Simon “Design and Implementation of an Immersive Virtual Reality System Based on a Smartphone Platform” IEEE 2013 Symposium on 3D User Interfaces (3DUI); Mar. 16-17, 2013; pp. 43-46 (4 pages).

Starr, Michelle “VrAse Turns Your Smartphone Into VR Goggles” CNET Website; Sep. 2, 2013 (6 pages).

McMill, Ian; “DIY 3D Head-Mounted-Display Using Your Smartphone” Website: instructables; 2013 (7 pages).

Ridden, Paul, “Accidentally Extraordinary Headphones Feature Capacitive Touch Controls in the Cable,” gizmag.com, Feb. 25, 2013, 9 pages, <http://www.gizmag.com/accidentally-extraordinary-headphones-touch-control/26394/>.

Timework Corporation, “The Google Cardboard Kit,” Google Cardboard, Jan. 22, 2015, 2 pages, <http://google-cardboard.com/>.

Seifert, et al., “Hands-on with Google and Mattel’s View-Master of the Future,” The Verge, Feb. 13, 2015, 7 pages, <http://www.theverge.com/2015/2/13/8033189/mattel-google-cardboard-view-master-hands-on>.

Jabra, “Jabra Intelligent Headset—for Developers,” Jabra, Jan. 22, 2015, 9 pages, http://www.jabra.com/products/bluetooth/jabra_intelligent_headset/jabra_intelligent.

Russell, Kyle, “Leap Motion Launches VR Headset Mount for its Hand-Tracking Controller,” TechCrunch, Aug. 28, 2014, 6 pages, <http://techcrunch.com/2014/08/28/leap-motion-launches-vr-headset-mount-for-its-motion-controller/>.

* cited by examiner

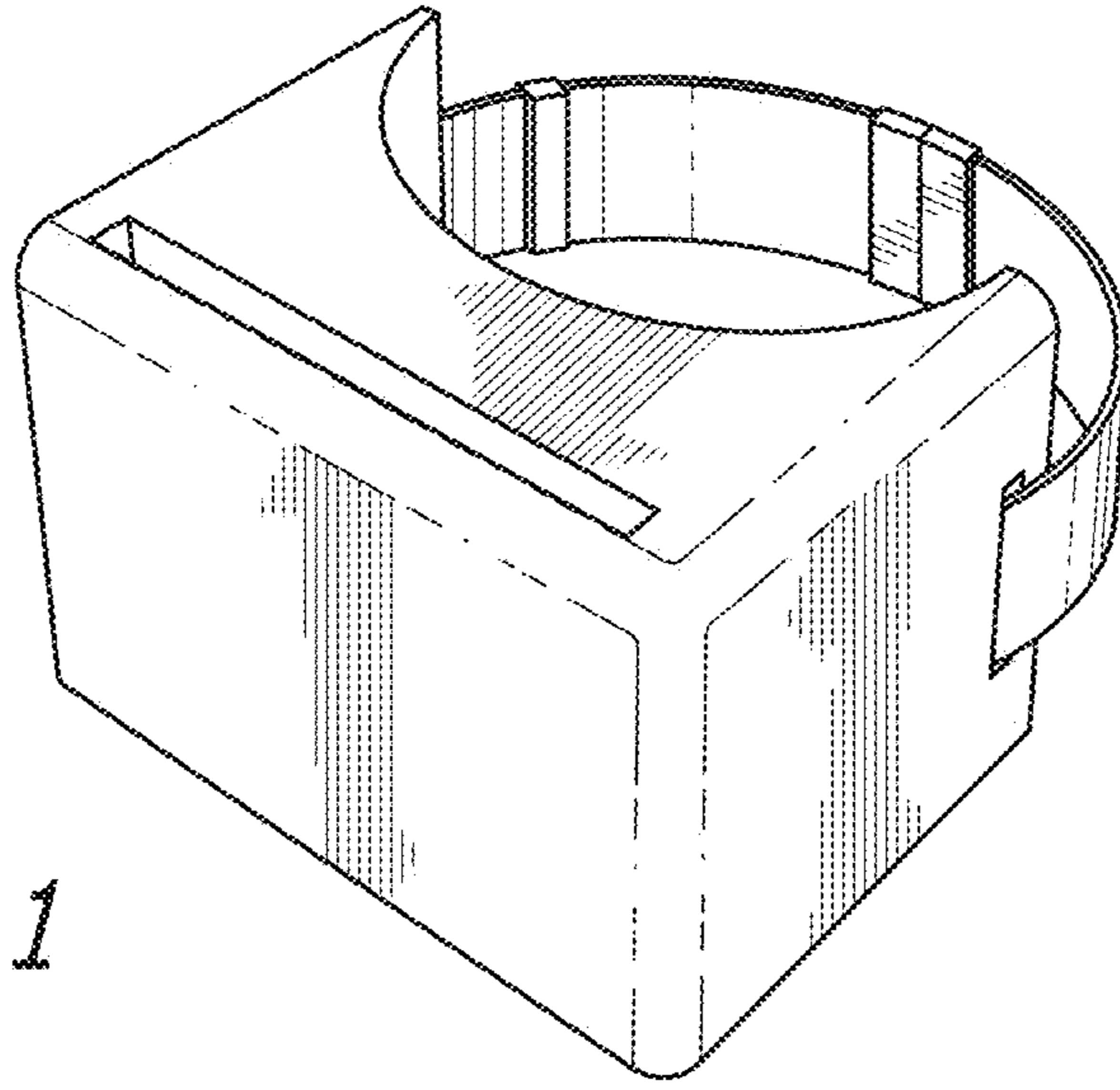


FIG. 1

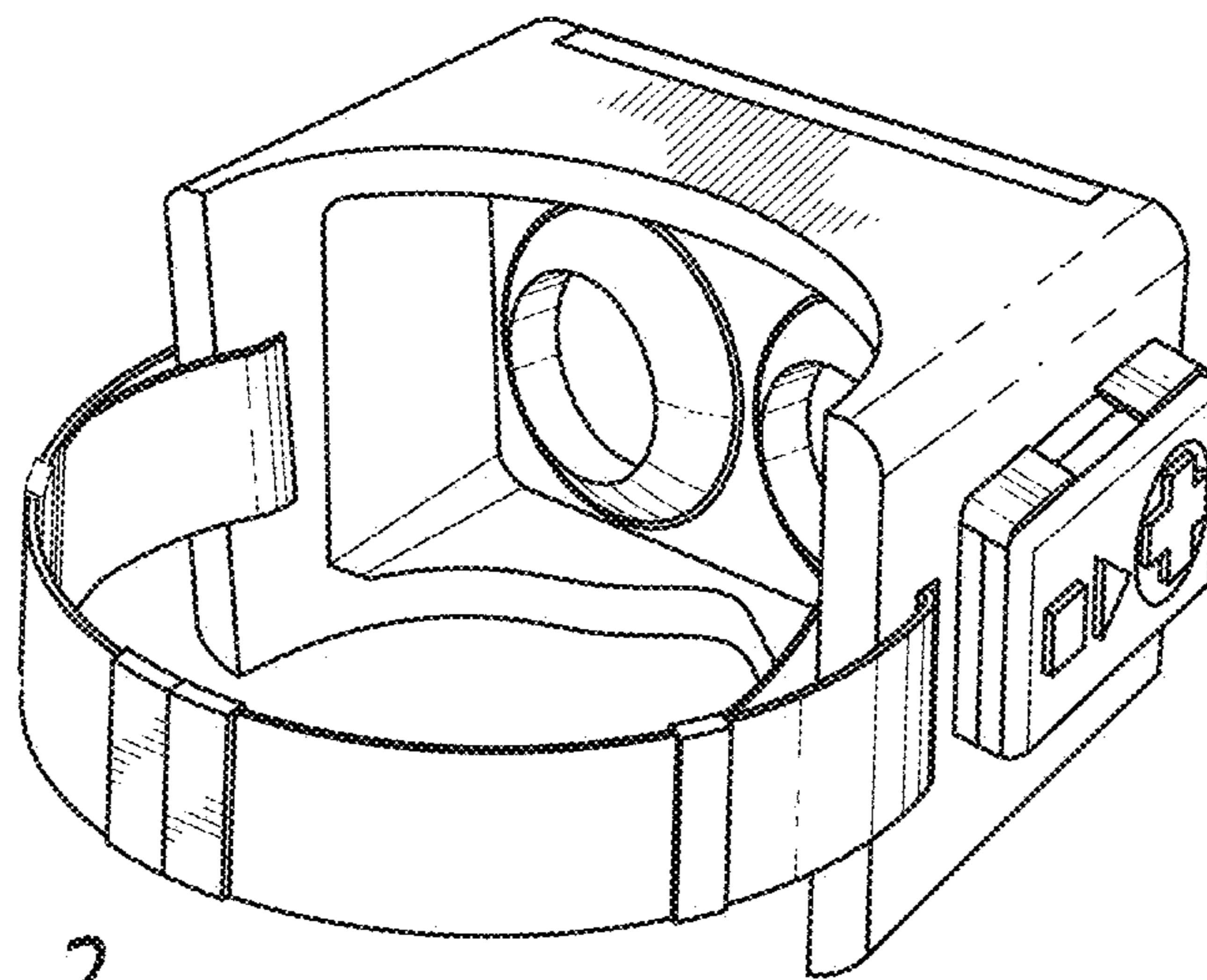


FIG. 2

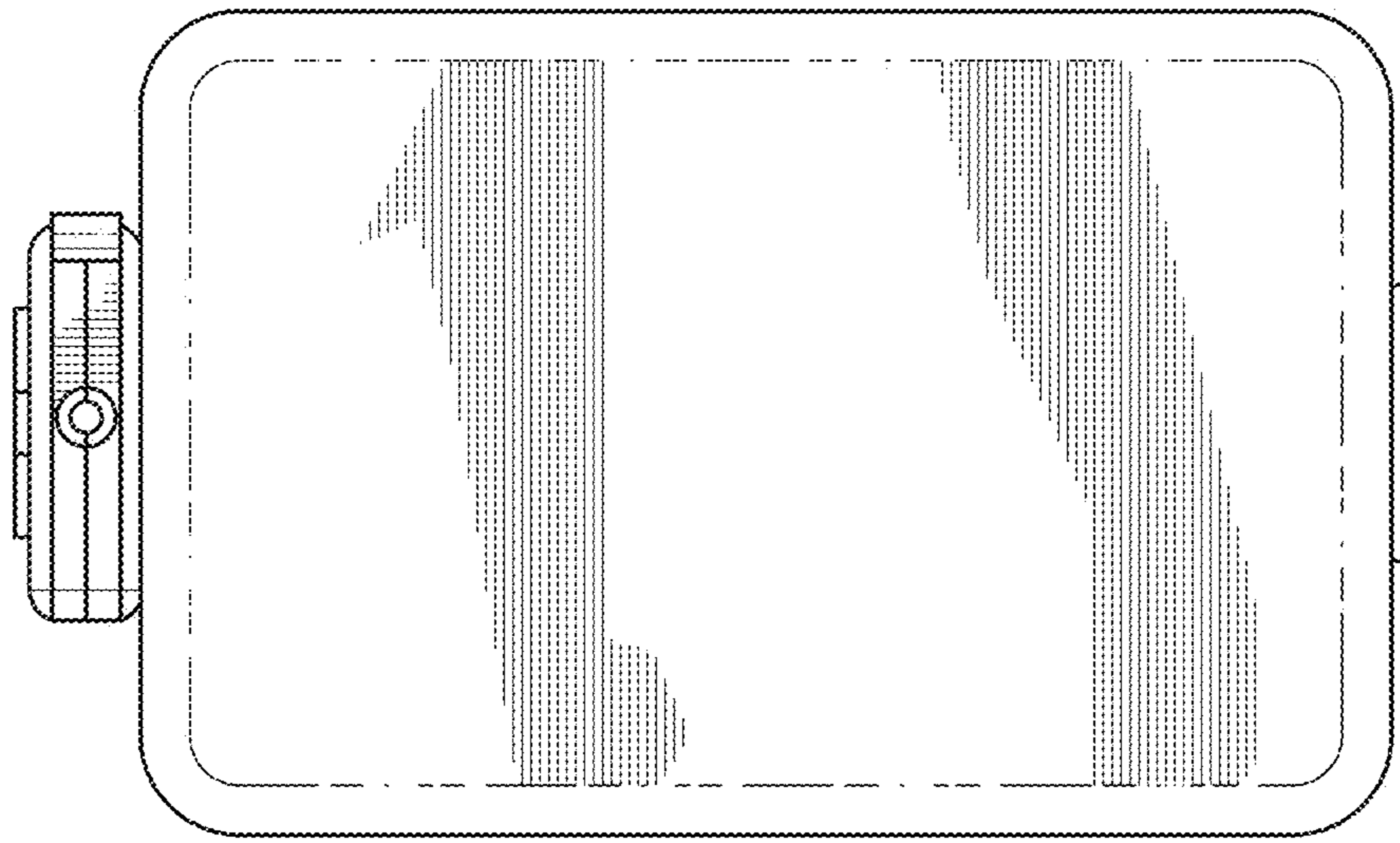


FIG. 3

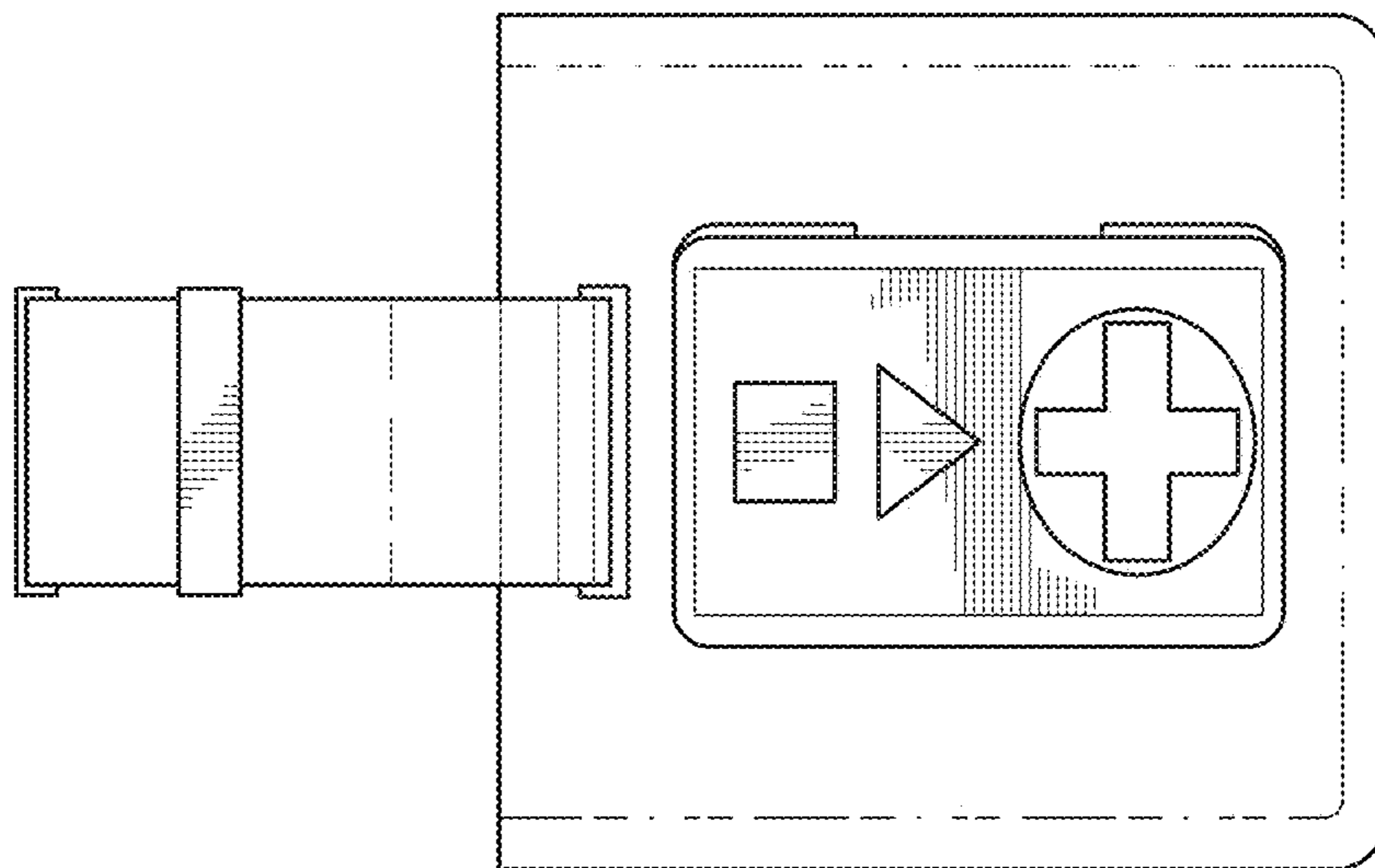


FIG. 4

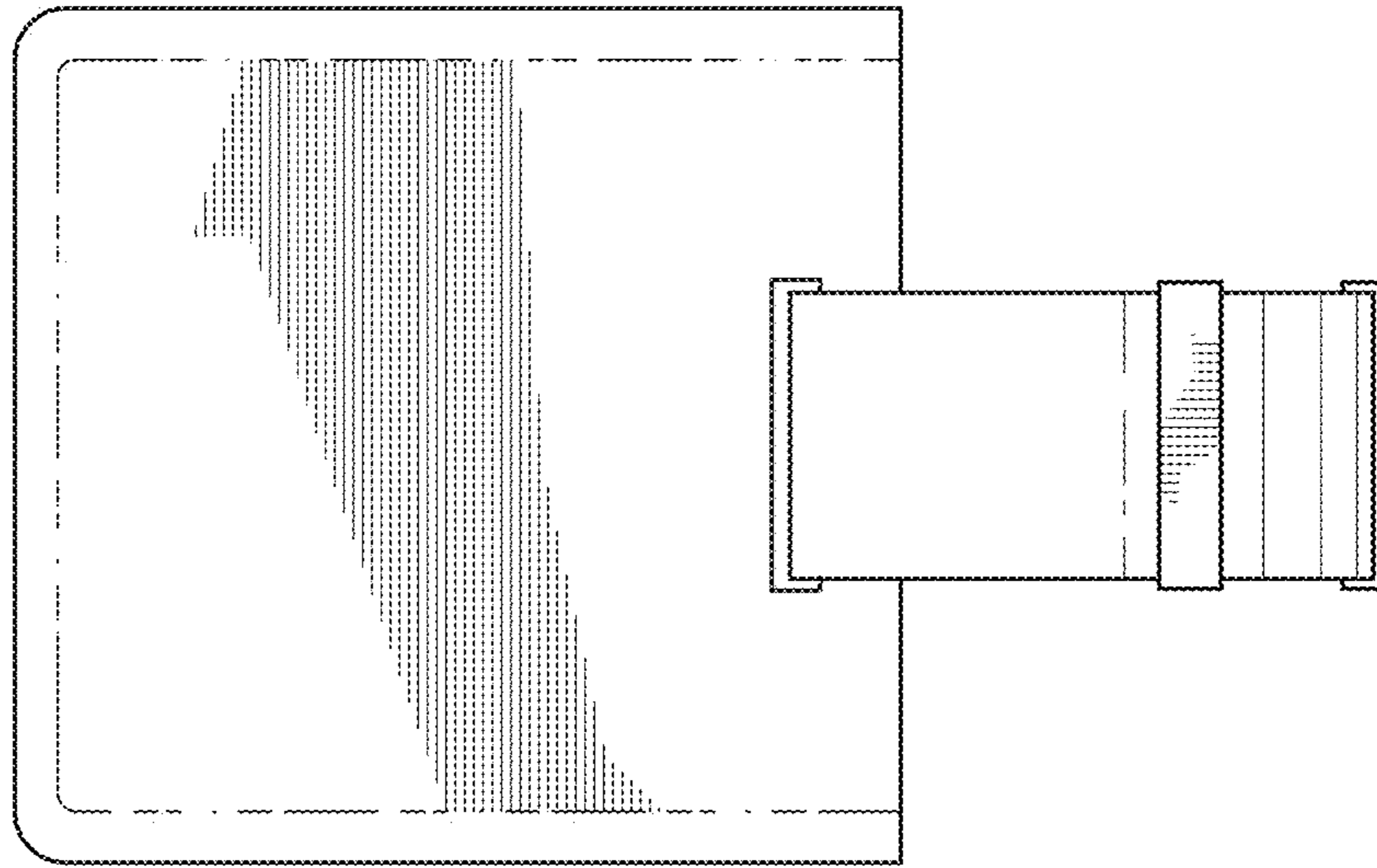


FIG. 5

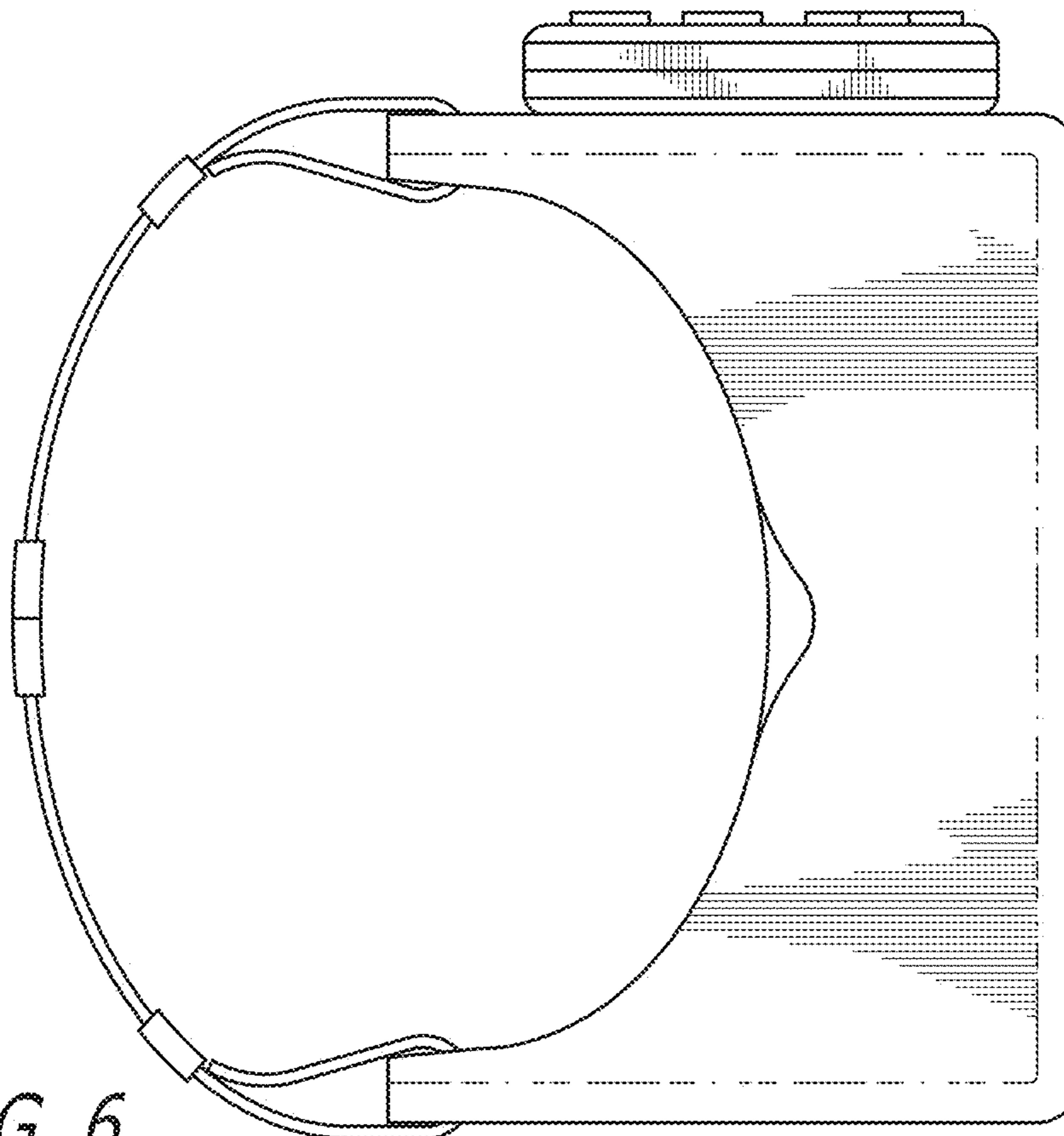


FIG. 6

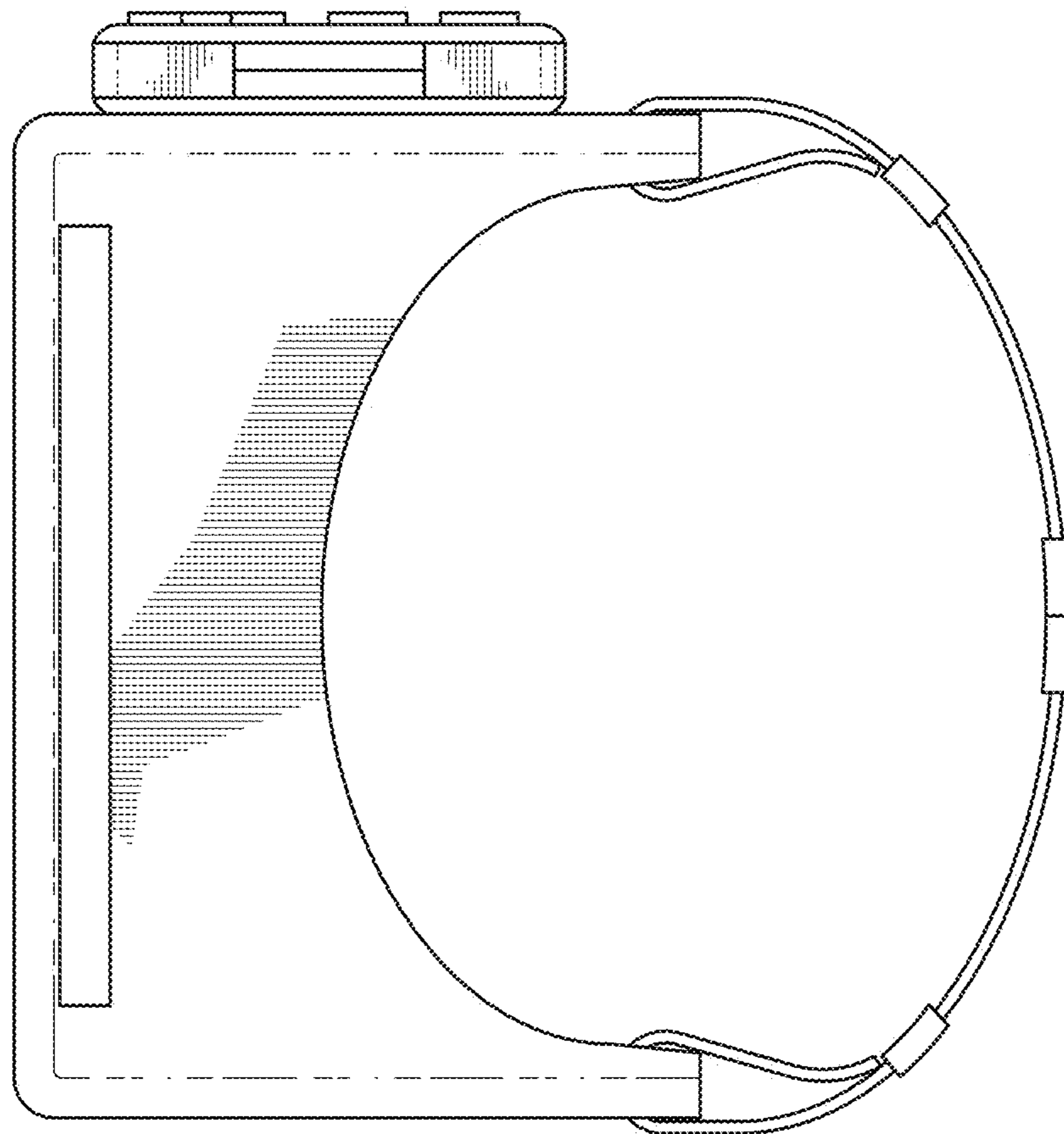


FIG. 7