



US00D751069S

(12) **United States Design Patent**  
**Choi et al.**

(10) **Patent No.:** **US D751,069 S**  
(45) **Date of Patent:** **\*\* \*Mar. 8, 2016**

(54) **ELECTRONIC DEVICE**

(71) Applicant: **Samsung Electronics Co., Ltd.**,  
Suwon-Si, Gyeonggi-Do (KR)

(72) Inventors: **Jaewoong Choi**, Seoul (KR); **Jeff Jones**,  
San Francisco, CA (US); **Yongseok**  
**Bang**, Yongin-si (KR); **Howard Nuk**,  
San Francisco, CA (US); **Wonseok**  
**Choi**, Seoul (KR); **Alex Millie**, San  
Francisco, CA (US); **Jihyun Ko**, Seoul  
(KR); **Seung-Min Park**, Seoul (KR);  
**Hayoul Jung**, Seoul (KR)

(73) Assignee: **Samsung Electronics Co., Ltd.**,  
Gyeonggi-do (KR)

(\*) Notice: This patent is subject to a terminal dis-  
claimer.

(\*\*) Term: **14 Years**

(21) Appl. No.: **29/499,944**

(22) Filed: **Aug. 20, 2014**

(30) **Foreign Application Priority Data**

Feb. 22, 2014 (KR) ..... 30-2014-0009039

(51) **LOC (10) Cl.** ..... **14-02**

(52) **U.S. Cl.**  
USPC ..... **D14/344**; D24/167; D10/32; D10/70

(58) **Field of Classification Search**  
USPC ..... D14/140, 137, 138 R, 138 AB, 139, 144,  
D14/155, 167, 191, 192, 203.1, 203.3,  
D14/203.4, 203.5, 203.7, 248, 226, 218,  
D14/240, 344, 440, 341, 346, 448, 450,  
D14/496; D10/30-32, 37-39, 65, 70, 77,  
D10/78, 98, 104.1, 104.2, 125; D11/3-5,  
D11/12, 19, 25; D13/168; D3/215;  
D15/199; 381/364, 151; 379/433.1;  
455/575.1, 575.3, 575.4, 575.6, 556.1,

455/556.2, 558, 90.3; 368/10, 13, 69, 223,  
368/281, 282, 294, 295, 296; D21/329,  
D21/513; D24/167, 186; 482/8  
CPC ..... H04B 1/03; H04B 1/385; G04G 9/00;  
G04G 17/00; G04G 17/04; G04G 17/06;  
G04G 17/083; H04M 1/0227; H04M 1/03;  
H04M 1/04  
See application file for complete search history.

(56) **References Cited**

U.S. PATENT DOCUMENTS

D422,513 S \* 4/2000 Bodino ..... D10/32  
D556,194 S \* 11/2007 Rambosek et al. .... D14/480.3

(Continued)

FOREIGN PATENT DOCUMENTS

JP D1489690 2/2014  
TW 398882 7/2000  
TW D112216 8/2006

OTHER PUBLICATIONS

Taiwanese Application No. 103 304 927 dated Dec. 23, 2014 and  
English translation thereof.

*Primary Examiner* — Susan Bennett Hattan

*Assistant Examiner* — Marie Fast Horse

(74) *Attorney, Agent, or Firm* — Harness, Dickey & Pierce

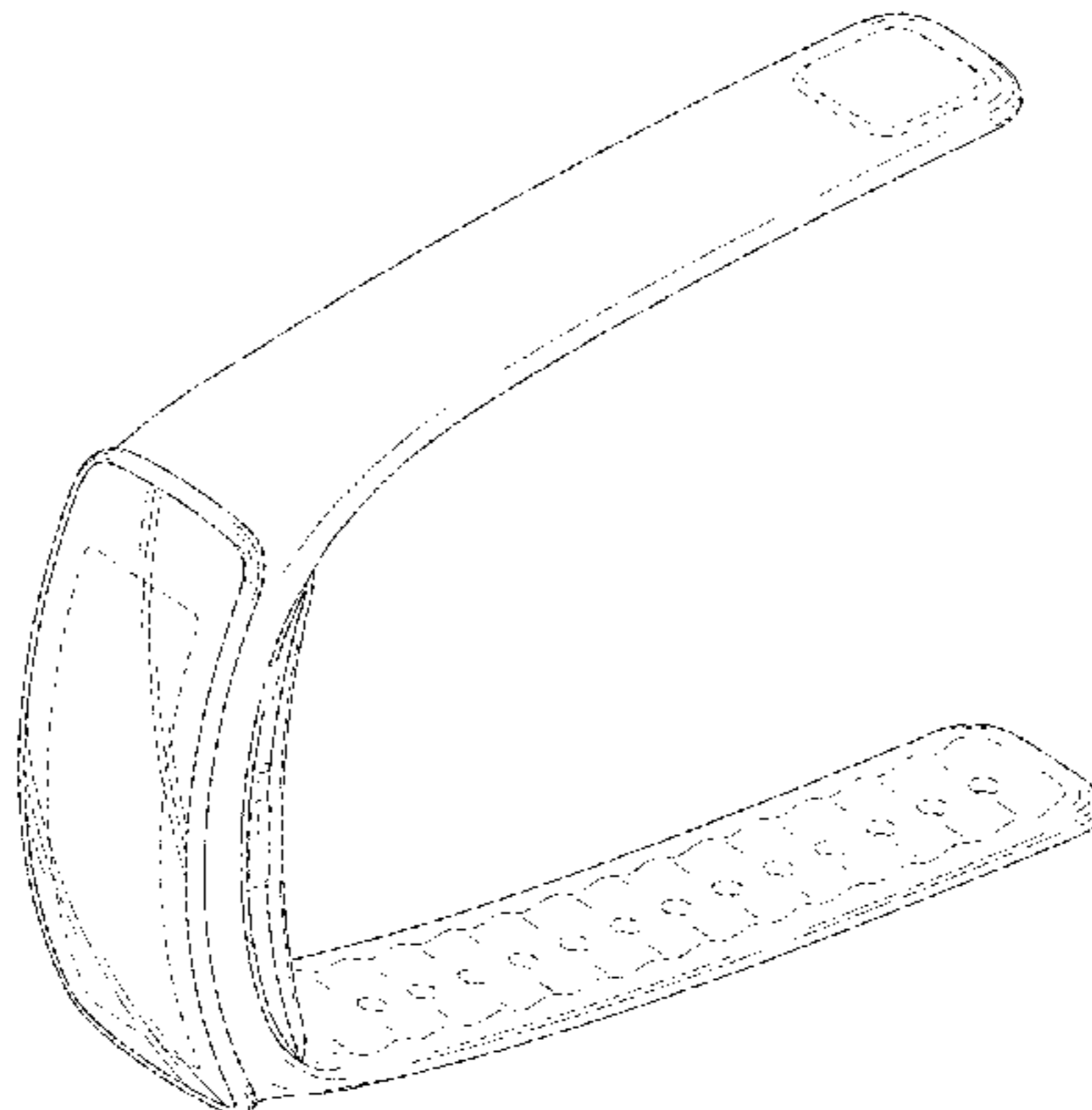
(57) **CLAIM**

The ornamental design for electronic device, as shown and  
described.

**DESCRIPTION**

FIG. 1 is the front perspective view of electronic device  
showing our new design;  
FIG. 2 is the front view thereof;  
FIG. 3 is the rear view thereof;  
FIG. 4 is the left-side view thereof;  
FIG. 5 is the right-side view thereof;  
FIG. 6 is the top-side plan view thereof; and,  
FIG. 7 is the bottom-side plan view thereof.  
The broken lines in the drawings depict parts of the electronic  
device that form no part of the claimed design.

**1 Claim, 7 Drawing Sheets**



(56)

**References Cited**

U.S. PATENT DOCUMENTS

D568,768 S *	5/2008	Tang	.....	D10/30	D715,668 S *	10/2014	Roush et al.	.....	D10/98
D576,501 S *	9/2008	Tang	.....	D10/32	D718,647 S *	12/2014	Roush et al.	.....	D10/98
D589,374 S *	3/2009	Tang	.....	D10/32	D720,635 S *	1/2015	Park et al.	.....	D10/98
D589,375 S *	3/2009	Tang	.....	D10/32	D724,453 S *	3/2015	Ogihara et al.	.....	D10/70
7,575,368 B2 *	8/2009	Guillaume	.....	368/282	D724,556 S *	3/2015	Choi et al.	.....	D14/138 R
D656,856 S *	4/2012	Kleinberg	.....	D11/3	D729,650 S *	5/2015	Phillips et al.	.....	D10/70
D667,126 S *	9/2012	Cho et al.	.....	D24/186	D729,657 S *	5/2015	Behar	.....	D10/70
D688,585 S *	8/2013	Ohnemus et al.	.....	D11/3	D730,347 S *	5/2015	Jung et al.	.....	D14/344
D703,069 S *	4/2014	Adams et al.	.....	D10/31	2005/0237704 A1 *	10/2005	Ceresoli	.....	361/683
D709,476 S *	7/2014	Park et al.	.....	D14/138 R	2006/0203621 A1 *	9/2006	Brodmann	.....	368/281
D711,002 S *	8/2014	Ohnemus et al.	.....	D24/186	2008/0002528 A1 *	1/2008	Andren et al.	.....	368/241
D714,179 S *	9/2014	Park et al.	.....	D11/3	2013/0072765 A1 *	3/2013	Kahn et al.	.....	600/301
					2014/0121539 A1 *	5/2014	Chatterjee et al.	.....	600/479
					2015/0105221 A1 *	4/2015	Roush et al.	.....	482/8

\* cited by examiner

FIG. 1

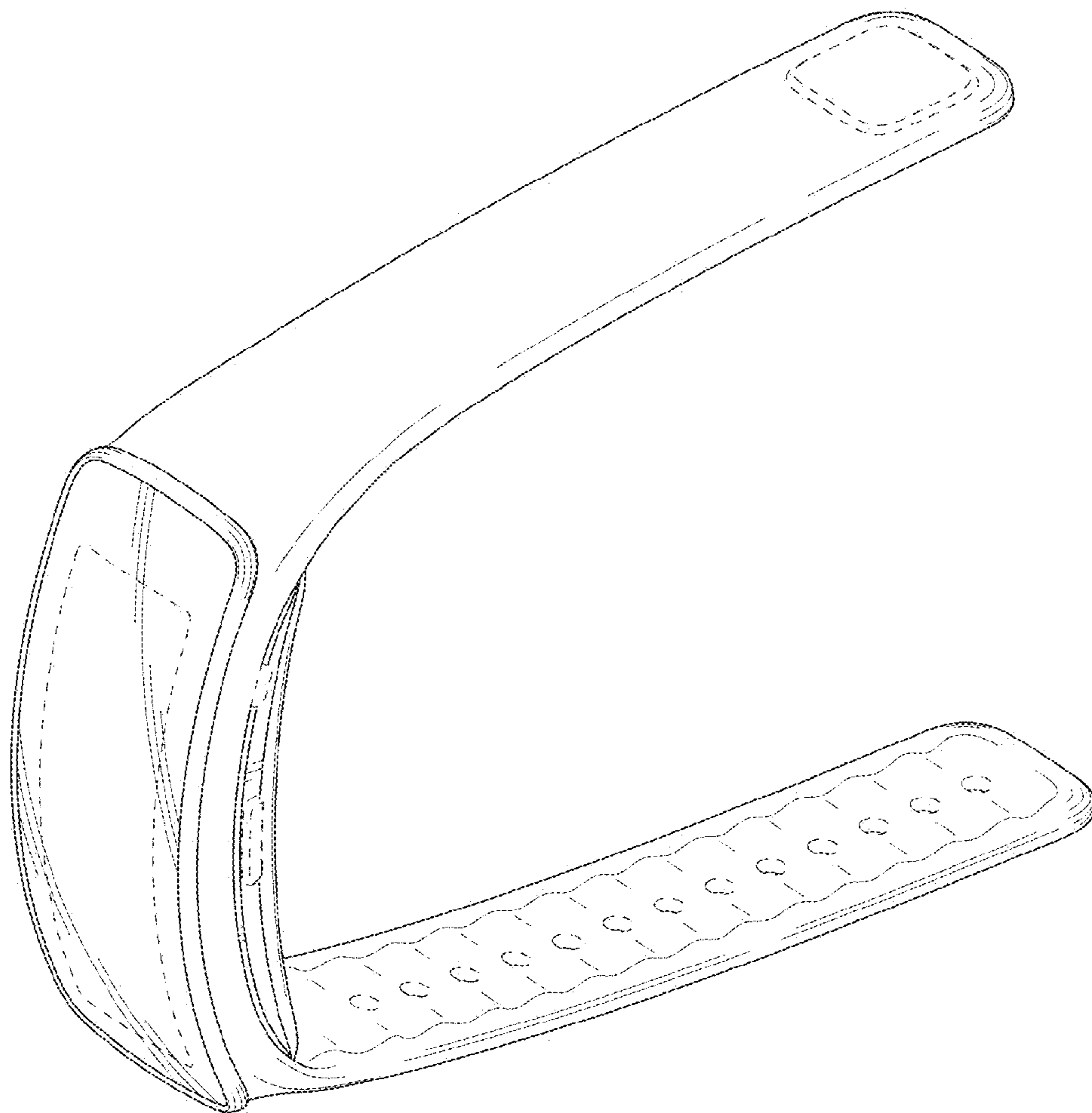


FIG. 2

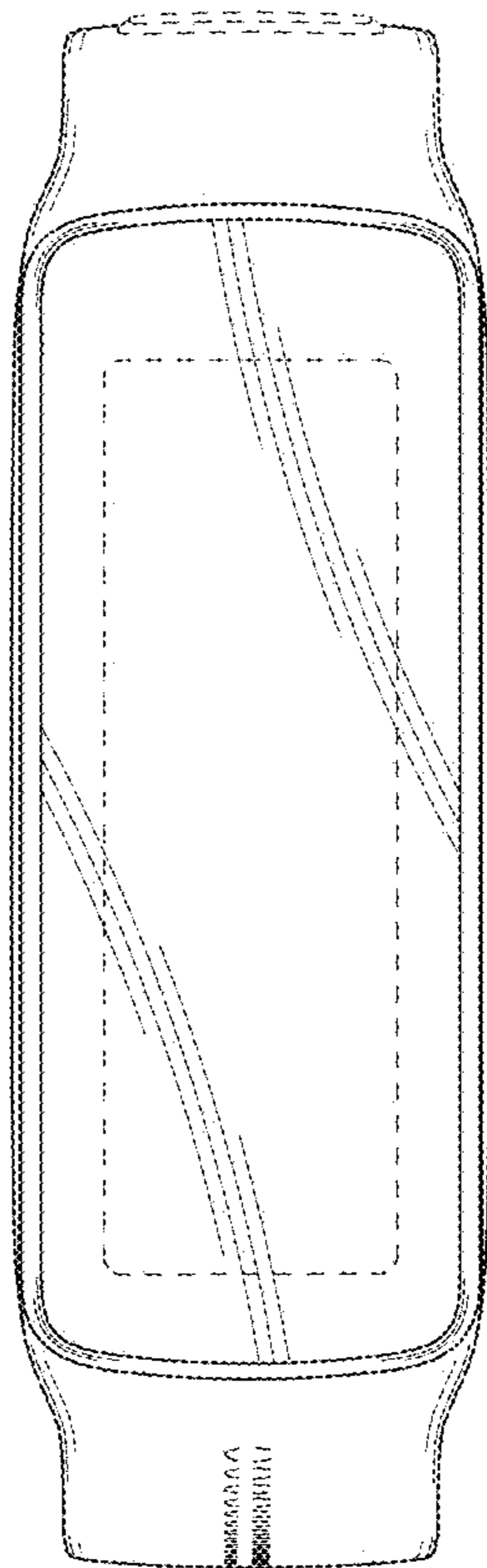


FIG. 3

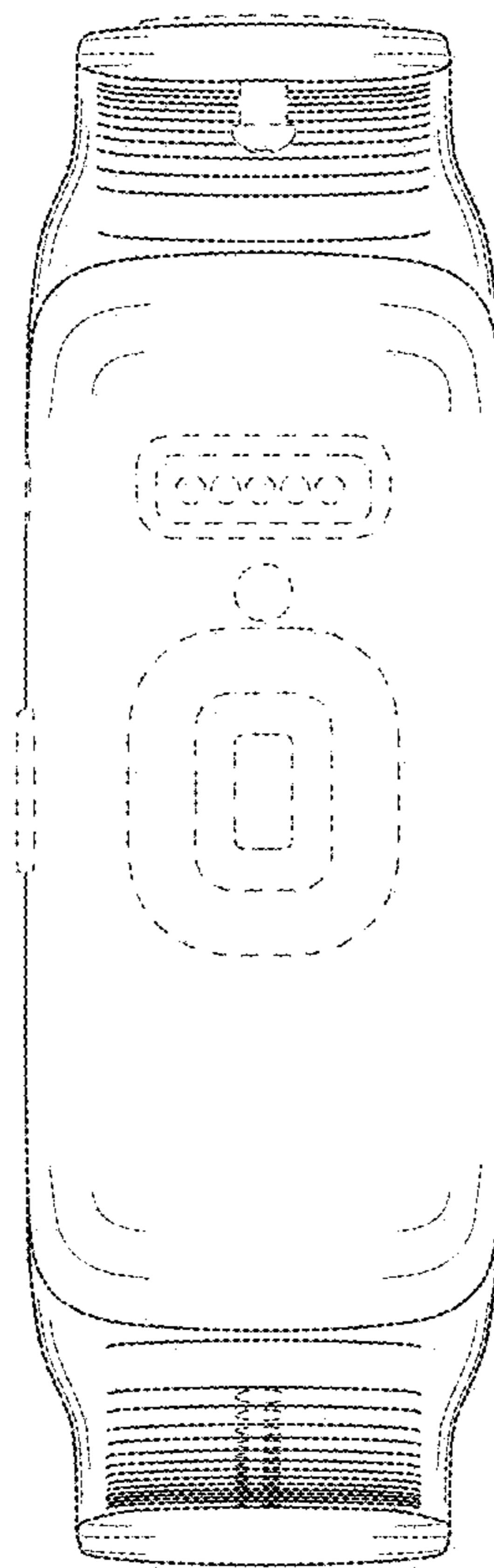


FIG. 4

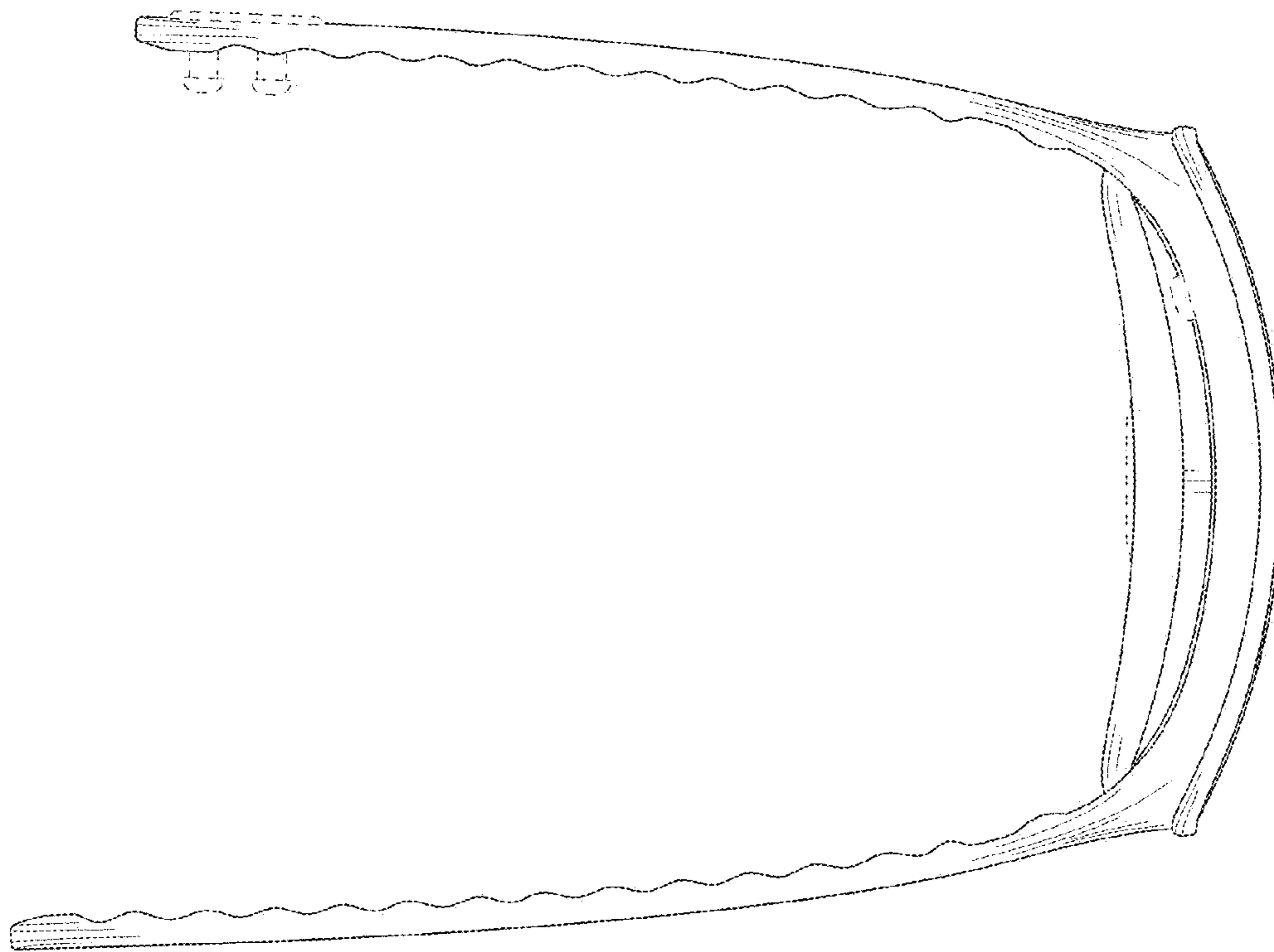


FIG. 5

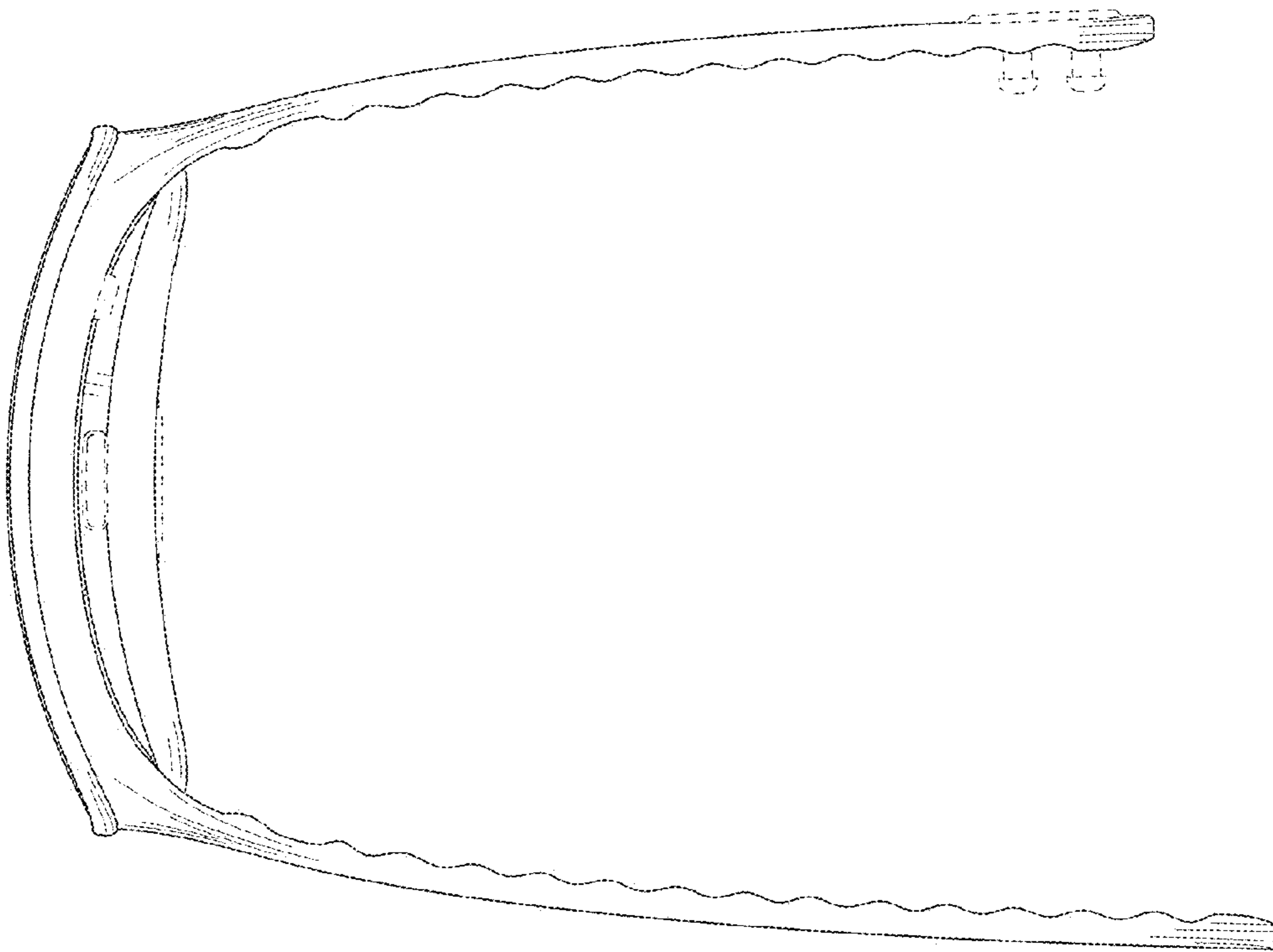


FIG. 6

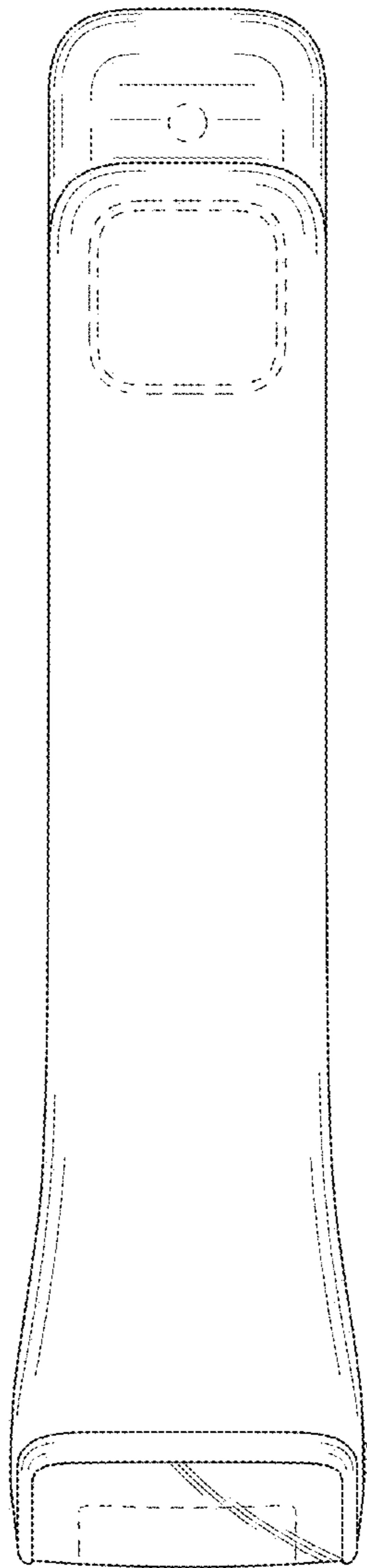




FIG. 7

