

US00D751066S

(12) **United States Design Patent**
Magi et al.

(10) **Patent No.:** **US D751,066 S**
(45) **Date of Patent:** **** Mar. 8, 2016**

- (54) **WEARABLE COMPUTING DEVICE**
- (71) Applicant: **Intel Corporation**, Santa Clara, CA (US)
- (72) Inventors: **Aleksander Magi**, Aloha, OR (US);
Ryan S. Brotman, Beaverton, OR (US)
- (73) Assignee: **Intel Corporation**, Santa Clara, CA (US)
- (**) Term: **14 Years**
- (21) Appl. No.: **29/477,901**
- (22) Filed: **Dec. 28, 2013**
- (51) **LOC (10) Cl.** **14-02**
- (52) **U.S. Cl.**
USPC **D14/344**; D10/38
- (58) **Field of Classification Search**
USPC D6/309; D7/550.1, 552.1, 553.6, 554.2;
D8/354; D10/30, 32, 33, 38; D11/40,
D11/79, 86; D14/344; 359/838, 879; 368/10
CPC G04B 19/283; G04B 27/08
See application file for complete search history.

D689,701 S * 9/2013 Mischel et al. D6/309
D699,448 S * 2/2014 Yang et al. D6/309
D705,777 S 5/2014 Groene et al.

(Continued)

FOREIGN PATENT DOCUMENTS

WO 2015/099957 7/2015

OTHER PUBLICATIONS

Mar. 16, 2015 International Search Report and Written Opinion in International Application No. PCT/US2014/067802, 11 pages.

(Continued)

Primary Examiner — Robert M Spear
Assistant Examiner — Darcey E Heflin
(74) *Attorney, Agent, or Firm* — Patent Capital Group

(57) **CLAIM**
The ornamental design for a wearable computing device, as shown and described.

DESCRIPTION

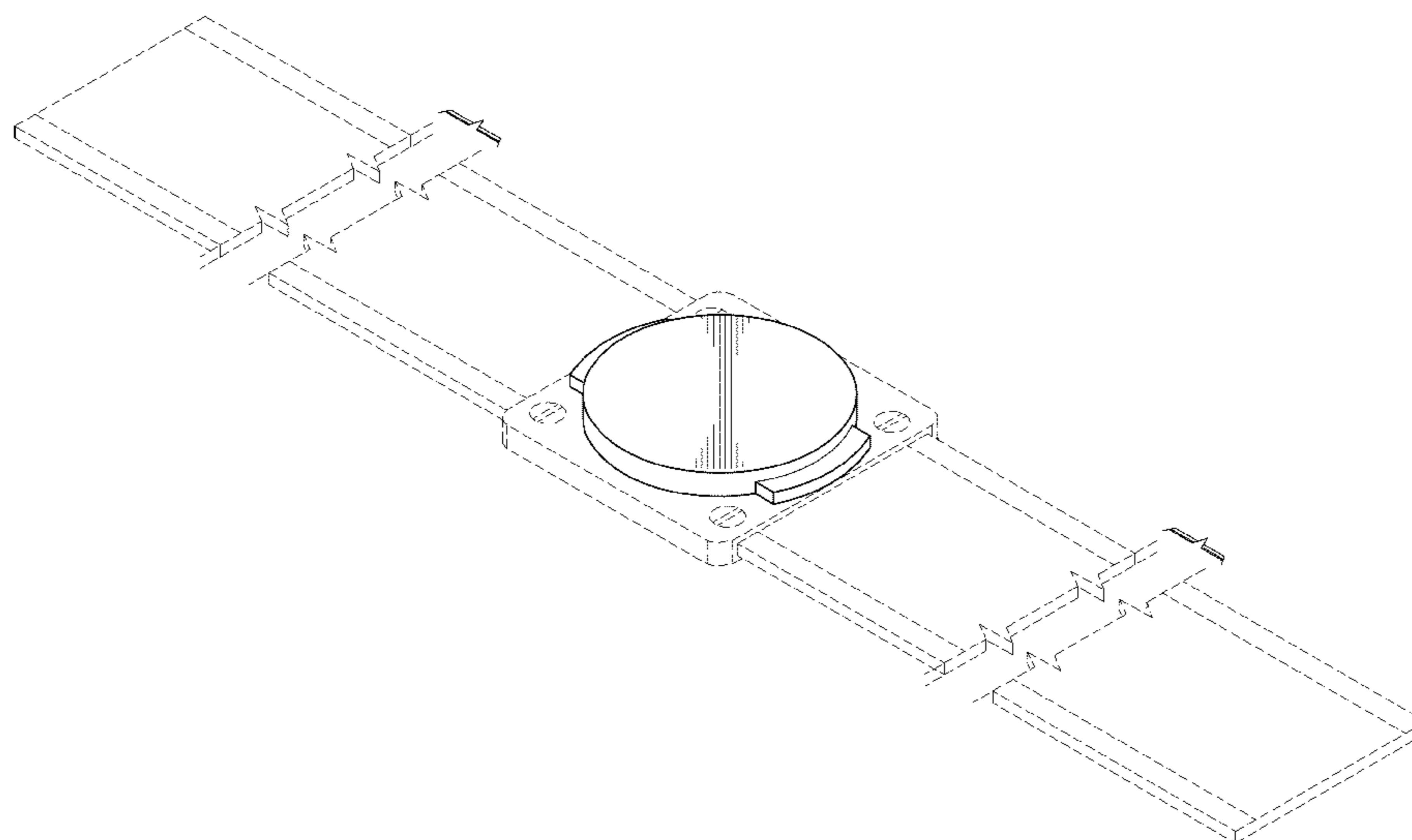
FIG. 1 is a perspective view illustrating a wearable computing device;
FIG. 2 is a back view illustrating a wearable computing device;
FIG. 3 is a front view illustrating a wearable computing device;
FIG. 4 is a side view illustrating a wearable computing device;
FIG. 5 is another side view illustrating a wearable computing device;
FIG. 6 is a top view illustrating a wearable computing device;
FIG. 7 is a bottom view illustrating a wearable computing device; and,
FIG. 8 is a perspective view illustrating a wearable computing device.
In the drawings, the broken lines depict environmental subject matter only that forms no part of the claim.

1 Claim, 4 Drawing Sheets

(56) **References Cited**

U.S. PATENT DOCUMENTS

- D42,449 S * 4/1912 Wittnauer D10/38
- D255,022 S 5/1980 Hofman
- D267,218 S * 12/1982 Thompson D6/309
- D373,509 S * 9/1996 Bormioli D7/554.2
- D413,070 S 8/1999 Charriol
- D503,894 S 4/2005 Tu
- D505,555 S * 5/2005 Snell D6/309
- D565,905 S * 4/2008 Valderrama et al. D7/550.1
- D568,175 S * 5/2008 Martinez et al. D10/32
- D613,737 S * 4/2010 Ahlstrom D14/344
- D616,790 S 6/2010 Mear
- D644,201 S 8/2011 Park et al.
- D660,367 S * 5/2012 Podd D20/42



(56)

References Cited

U.S. PATENT DOCUMENTS

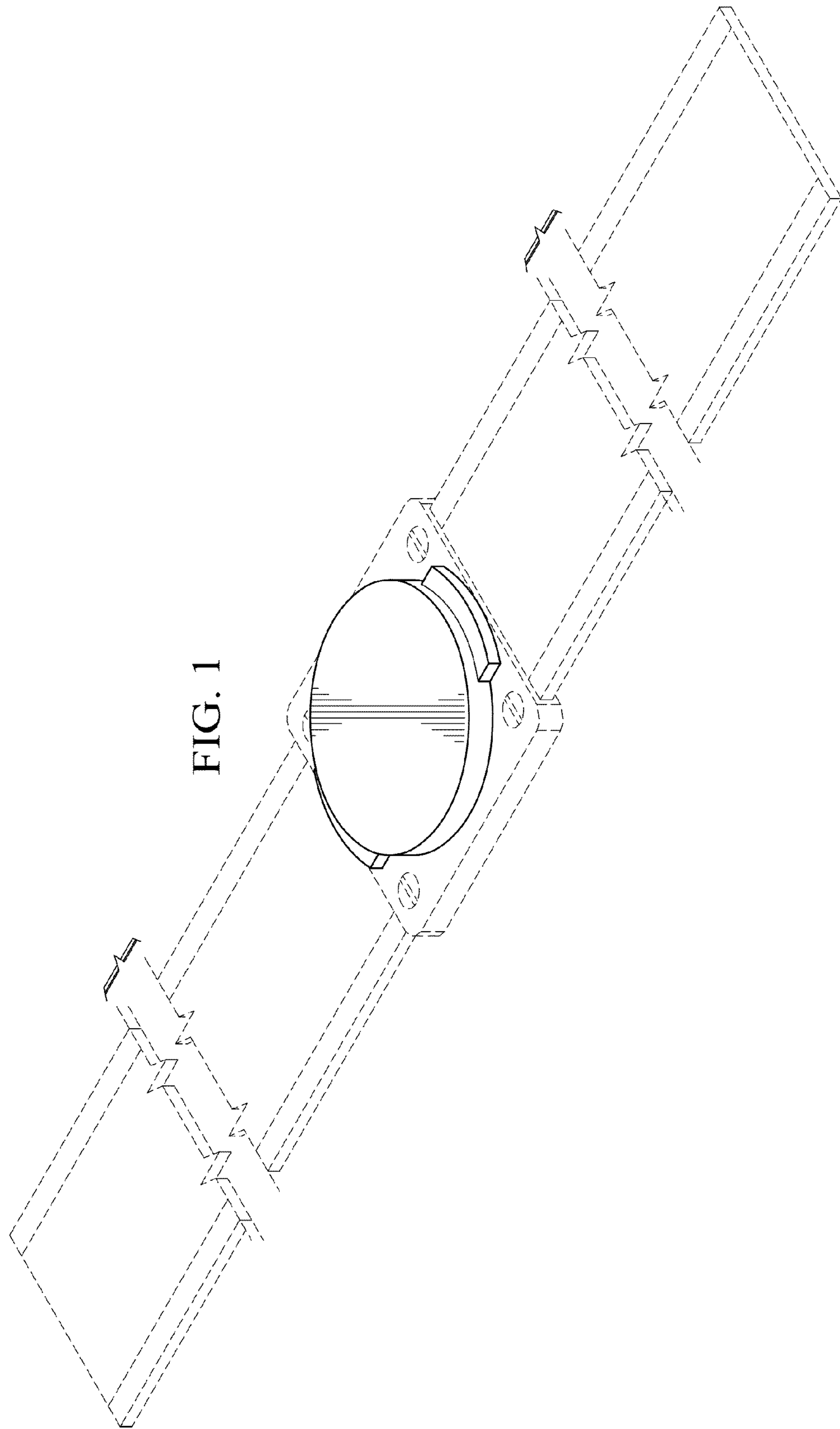
D709,876 S * 7/2014 Aumiller et al. D14/344
 D713,269 S * 9/2014 Rapko D10/30
 D713,404 S * 9/2014 Green D14/344
 D719,158 S 12/2014 Akana et al.
 D728,561 S 5/2015 Park et al.
 D729,233 S 5/2015 Lee et al.
 D729,235 S 5/2015 Nagao et al.
 D730,198 S * 5/2015 Perko et al. D10/32
 2003/0206493 A1* 11/2003 Carrard et al. 368/10
 2006/0274036 A1 12/2006 Hioki et al.
 2009/0115735 A1 5/2009 Chuang
 2010/0029327 A1 2/2010 Jee
 2010/0219943 A1 9/2010 Vanska et al.
 2011/0187681 A1 8/2011 Kim et al.
 2012/0150327 A1 6/2012 Altman et al.
 2012/0274585 A1 11/2012 Telfer et al.
 2013/0044215 A1 2/2013 Rothkopf et al.
 2013/0154970 A1 6/2013 Seo et al.
 2013/0222270 A1 8/2013 Winkler et al.
 2014/0057610 A1 2/2014 Olincy et al.
 2014/0269224 A1 9/2014 Huh et al.
 2014/0362544 A1 12/2014 Han et al.
 2015/0026647 A1 1/2015 Park et al.
 2015/0049657 A1 2/2015 Cheng et al.
 2015/0185944 A1 7/2015 Magi et al.
 2015/0188861 A1 7/2015 Esplin et al.
 2015/0189056 A1 7/2015 Magi et al.

OTHER PUBLICATIONS

“Adidas jumps into wearable computing, announces new \$399 smartwatch at Mobilize,” <http://gigaom.com/2013/10/16/adidas-shows-off-new-smartwatch-that-provides-personal-coaching>, printed Jan. 16, 2014, 5 pages.
 “High tech meets high fashion,” Los Angeles Times, <http://articles.latimes.com/2013/may/26/image/la-ig-tech-fashion-20130526>, printed Jan. 16, 2014, 3 pages.
 “Bluetooth 4.0 finalized: low power mode & boosted range,” SlashGear, <http://www.slashgear.com/bluetooth-4-0-finalized-low-power-mode-boosted-range-2182619/>, printed Mar. 30, 2015, 8 pages.

USPTO Jul. 24, 2015 Non-Final Office Action in U.S. Appl. No. 14/142,471, 14 pages.
 USPTO Jun. 30, 2015 Restriction Requirement in U.S. Appl. No. 29/477,895, 5 pages.
 Mahmoud, “Wireless Application Programming with J2ME and Bluetooth”, Oracle Technology Network—System Admins and Developers; <http://www.oracle.com/technetwork/systems/index-156651.html> (printed Jul. 28, 2015); Feb. 2003.
 Wikipedia, “Scatternet”, [http://en.wikipedia.org/wiki/Scatternet\[7/28/2015\]](http://en.wikipedia.org/wiki/Scatternet[7/28/2015]); printed Jul. 28, 2015.
 Wikipedia, “Pressure sensor”, [https://en.wikipedia.org/wiki/Pressure_sensor\[7/28/2015\]](https://en.wikipedia.org/wiki/Pressure_sensor[7/28/2015]); printed Jul. 28, 2015.
 Wikipedia, “Piconet”, [https://en.wikipedia.org/wiki/Piconet\[7/28/2015\]](https://en.wikipedia.org/wiki/Piconet[7/28/2015]); printed Jul. 28, 2015.
 Wikipedia, “Global Positioning System”, [https://en.wikipedia.org/wiki/Global_Positioning_System\[7/28/2015\]](https://en.wikipedia.org/wiki/Global_Positioning_System[7/28/2015]); printed Jul. 28, 2015.
 Wikipedia, “Flexible organic light-emitting diode”, [https://en.wikipedia.org/wiki/Flexible_organic_light-emitting_diode\[7/28/2015\]](https://en.wikipedia.org/wiki/Flexible_organic_light-emitting_diode[7/28/2015]); printed Jul. 28, 2015.
 Bluetooth, “Master Table Contents & Compliance Requirements”, vol. 1, Part A and vol. 2, Parts A and B, Dec. 3, 2013.
 Pottery Barn, Vanity Station. Jan. 7, 2015 [online]. [site visited Sep. 8, 2015]. Available from Internet, URL:http://www.potterybarn.com/products/campaign-over-door-bath-storage/?pkey=cbath-whats-new&bnrid=3317500&cm_ven=AfCmtyCont&cm_cat=Skimlinks&cm_pla=Cj&cm+ite=Std. 3 pages.
 HSN. Over-The-Door Jewelry Armoire with Full-Length Mirror. Jan. 2, 2011 [online], [site visited Sep. 8, 2015]. Available from internet, URL:<http://www.hsn.com/products/over-the-door-jewelry-armoire-with-full-length-mirror/1793084>. 4 pages.
 Rakuten Global Market. Stand Mirror Hanger Rack Iron Series. Jan. 21, 2015 [online], [site visited Sep. 8, 2015]. Available from Internet, URL:http://global.rakuten.com/en/store/livingut/item/4582222657508/?s-id=boardless_recommend_item_en. 6 pages.
 USPTO Notice of Allowance in U.S. Appl. No. 29/477,895 mailed on Sep. 25, 2015.
 USPTO Notice of Allowance in U.S. Appl. No. 14/142,471 mailed on Oct. 2, 2015.

* cited by examiner



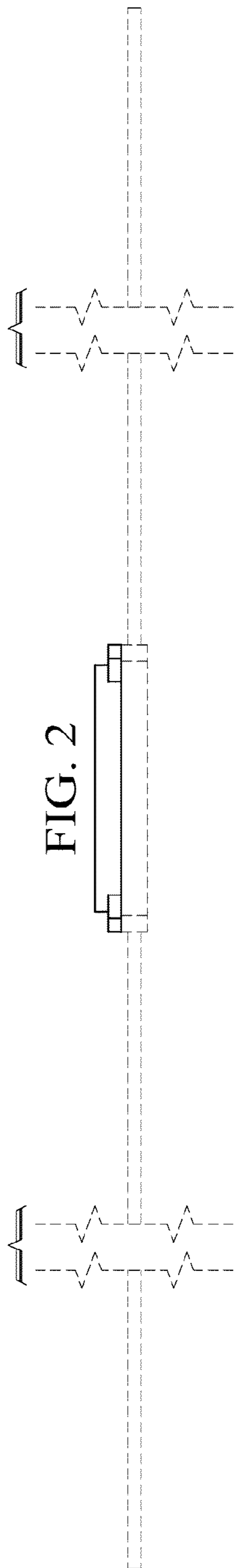


FIG. 2

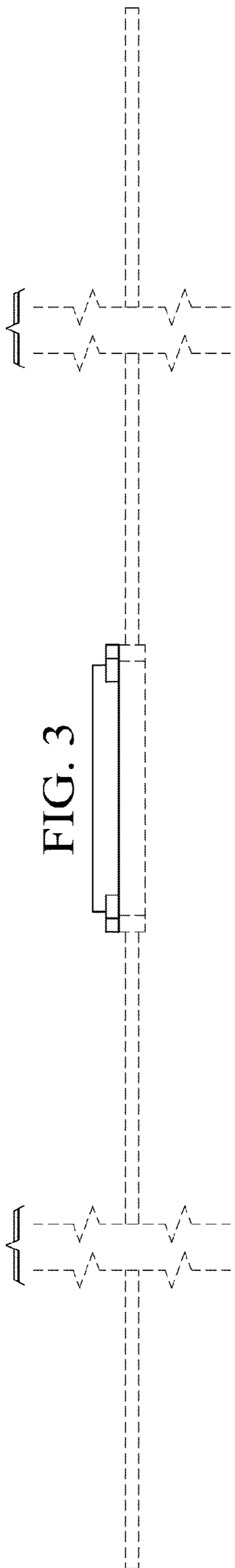


FIG. 3

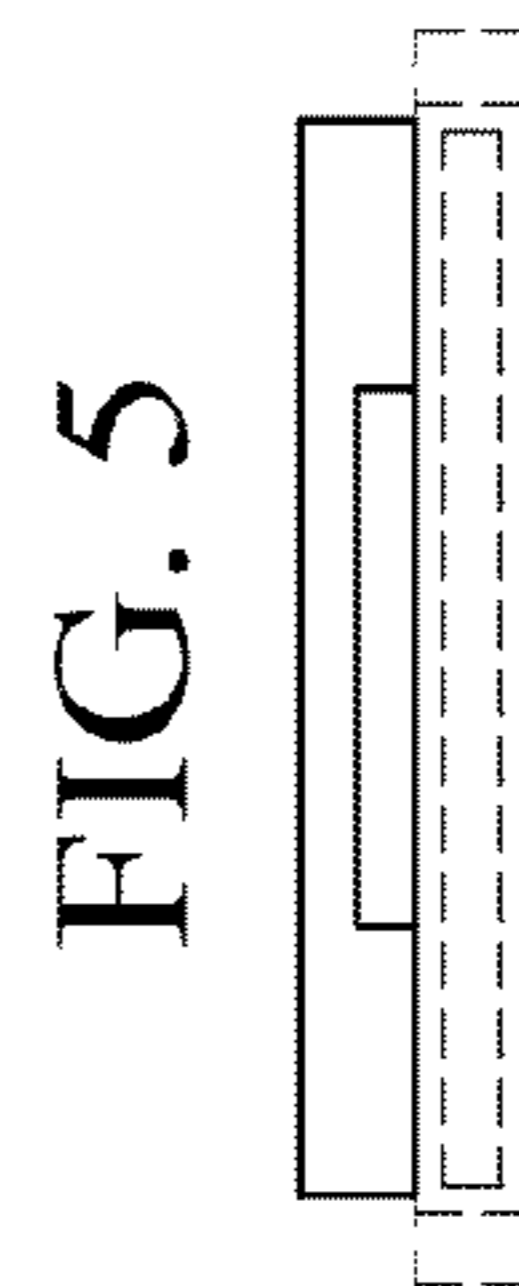


FIG. 5

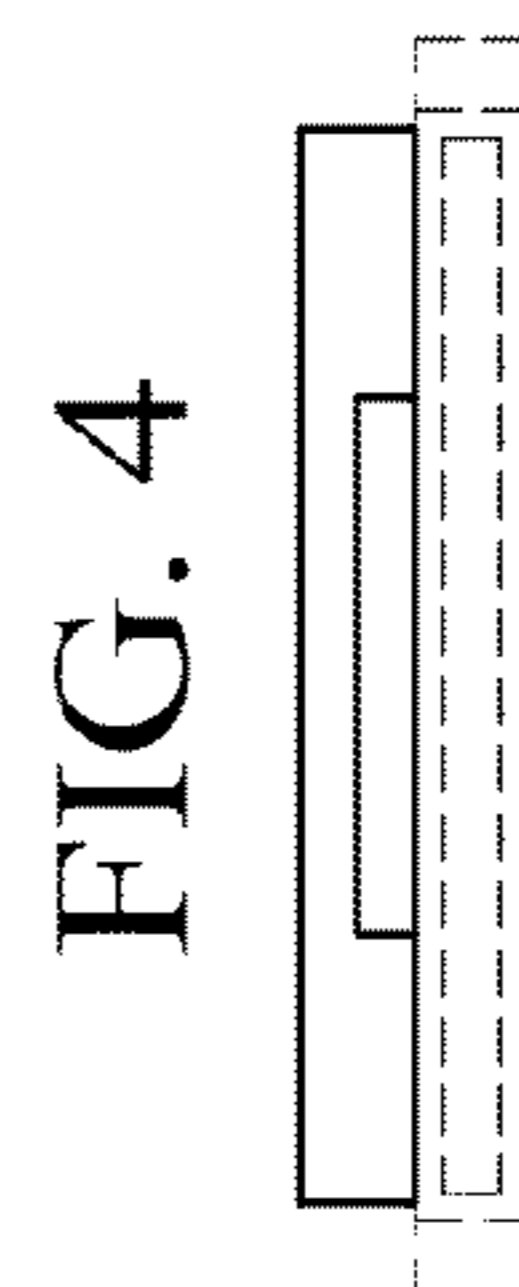


FIG. 4

FIG. 6

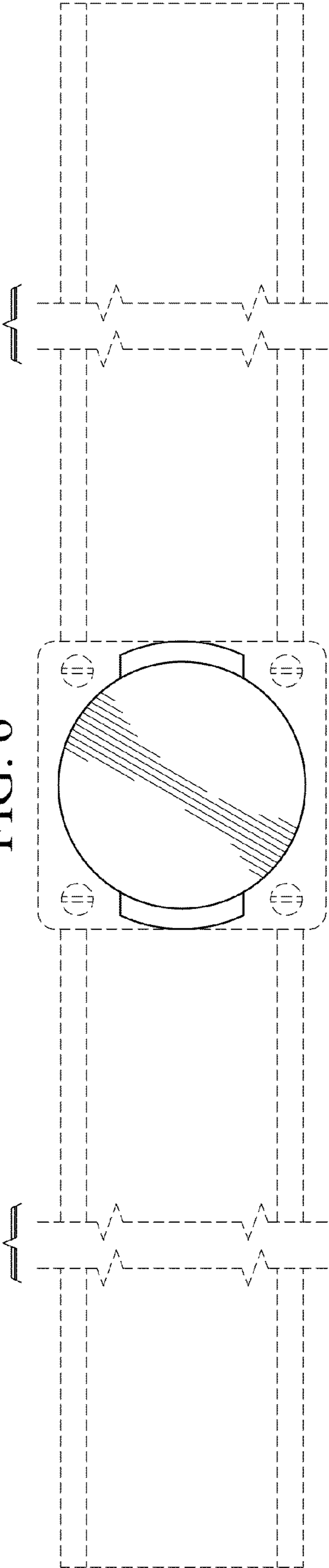


FIG. 7

