

US00D751063S

(12) **United States Design Patent**  
**Lin**

(10) **Patent No.:** **US D751,063 S**  
(45) **Date of Patent:** **\*\* Mar. 8, 2016**

(54) **ELECTRONIC DEVICE**

(71) Applicant: **LENOVO (BEIJING) CO., LTD.**,  
Beijing (CN)

(72) Inventor: **Zhimin Lin**, Beijing (CN)

(73) Assignee: **Lenovo (Beijing) Co., Ltd.**, Beijing  
(CN)

(\*\*) Term: **14 Years**

(21) Appl. No.: **29/472,316**

(22) Filed: **Nov. 11, 2013**

(30) **Foreign Application Priority Data**

May 10, 2013 (CN) ..... 2013 3 0170941

(51) **LOC (10) Cl.** ..... **14-02**

(52) **U.S. Cl.**  
USPC ..... **D14/341**

(58) **Field of Classification Search**

USPC ..... D14/341-347, 137, 138 R, 138 AA,  
D14/138 C, 138 G, 496, 203.1, 203.3, 203.4,  
D14/203.7, 129, 130, 147, 218, 247, 248,  
D14/250, 374, 371, 385, 388, 389, 315-318,  
D14/420, 426, 439; D6/308, 310; D10/65,  
D10/104.1; D19/26, 59, 60; D21/324, 329,  
D21/330, 332; 248/917-924; 463/37;  
455/556.1, 556.2, 566, 575.1, 90.3;  
379/433.04, 433.01, 433.06, 916;  
345/173, 901, 905; 348/376;  
361/679.21, 679.26, 679.27, 679.3,  
361/679.55, 679.56, 679.59  
CPC ..... H04M 1/0202; H04M 1/0279; H04M  
1/0281; H04M 1/0283; H04M 1/0214; H04M  
1/72544; H04M 1/72552; G06F 1/1613;  
G06F 1/1624; G06F 1/1626; G06F 1/165;  
G06F 3/0485; G06F 3/0488

See application file for complete search history.

(56) **References Cited**

U.S. PATENT DOCUMENTS

D255,745 S \* 7/1980 Pedersen ..... 40/746  
D585,399 S \* 1/2009 Hwang ..... D14/130  
D601,814 S \* 10/2009 Lissola ..... D6/308  
D617,793 S \* 6/2010 Chiang ..... D14/341  
D629,771 S \* 12/2010 Haspil ..... D14/138 G

(Continued)

*Primary Examiner* — Eric Goodman

*Assistant Examiner* — Clese Moore, Jr.

(74) *Attorney, Agent, or Firm* — Oppedahl Patent Law Firm  
LLC

(57) **CLAIM**

The ornamental design for an electronic device, as shown and  
described.

**DESCRIPTION**

FIG. 1 is a front side elevation view of our new design for an  
electronic device.

FIG. 2 is a back side elevation view of FIG. 1.

FIG. 3 is a left side elevation view of FIG. 1.

FIG. 4 is a right side elevation view of FIG. 1.

FIG. 5 is a top side plan view of FIG. 1.

FIG. 6 is a bottom side plan view of FIG. 1.

FIG. 7 is a front side perspective view of FIG. 1.

FIG. 8 is a back perspective view of FIG. 1.

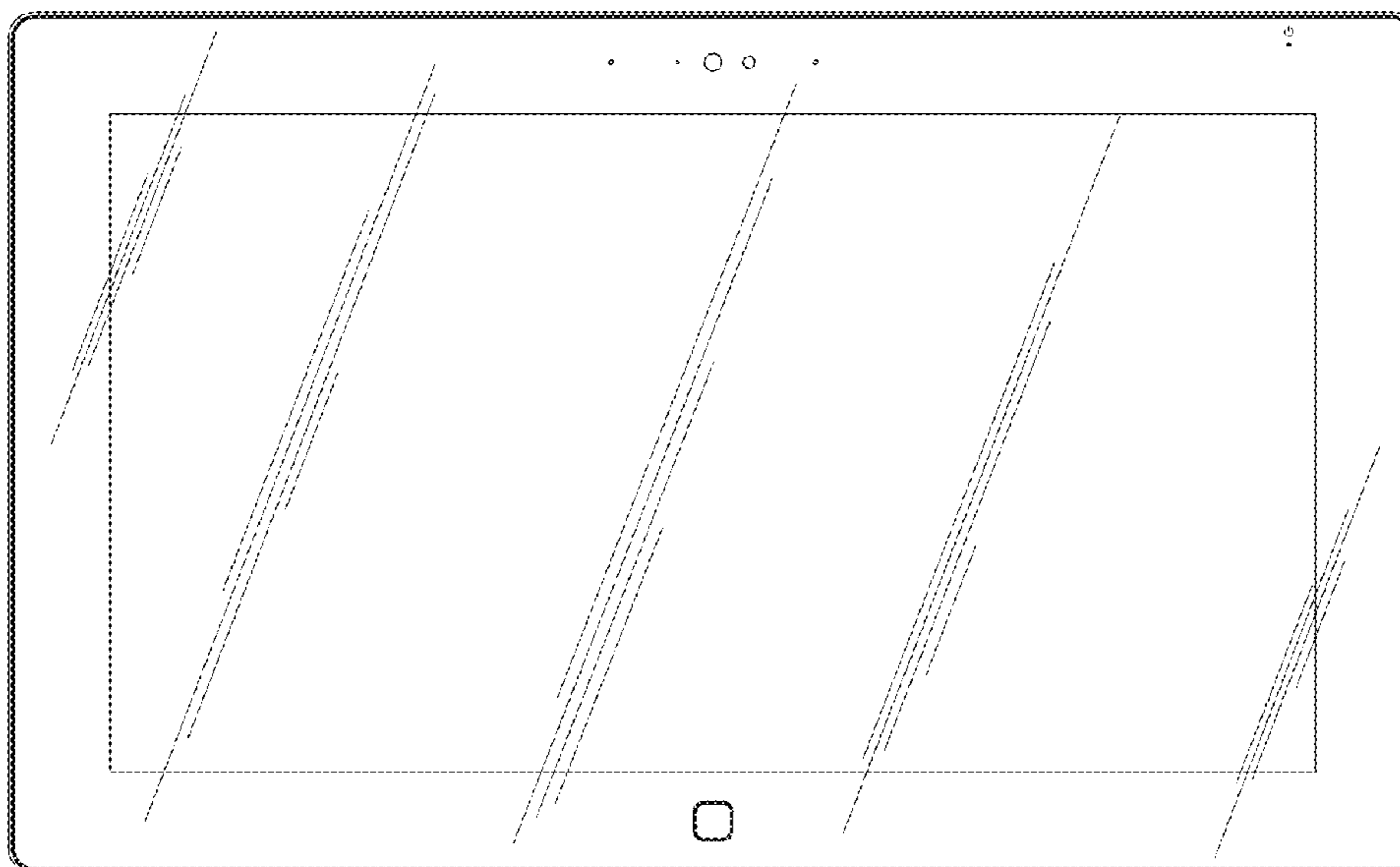
FIG. 9 is a front perspective view of FIG. 1.

FIG. 10 is a back top perspective view of FIG. 1.

FIG. 11 is a front side perspective view with the stand in a first  
position, it being understood that all other surfaces are the  
same; and,

FIG. 12 is a back side perspective view of FIG. 11.

**1 Claim, 6 Drawing Sheets**



(56)

**References Cited**

U.S. PATENT DOCUMENTS

D639,267 S *	6/2011	DeLorenzo	.....	D14/130	D698,353 S *	1/2014	Choi	.....	D14/138 G
D656,137 S *	3/2012	Chung	.....	D14/341	D698,787 S *	2/2014	Kim	.....	D14/341
D667,399 S *	9/2012	Koh	.....	D14/341	D702,229 S *	4/2014	Lim	.....	D14/341
D678,271 S *	3/2013	Chiu	.....	D14/341	D702,233 S *	4/2014	Lee	.....	D14/341
8,400,767 B2 *	3/2013	Yeom	.....	F16M 11/10 248/917	D703,668 S *	4/2014	Kim	.....	D14/138 AD
D685,778 S *	7/2013	Fahrendorff	.....	D14/250	D712,400 S *	9/2014	Kim	.....	D14/341
D685,783 S *	7/2013	Bryan	.....	D14/341	D714,784 S *	10/2014	Park	.....	D14/341
D687,820 S *	8/2013	Kim	.....	D14/341	D716,799 S *	11/2014	Green	.....	D14/341
D691,996 S *	10/2013	Ohshima	.....	D14/341	D718,303 S *	11/2014	Choteau	.....	D14/341
D692,880 S *	11/2013	Song	.....	D14/341	D720,345 S *	12/2014	Chu	.....	D14/341
D695,735 S *	12/2013	Kitchen	.....	D14/341	D727,315 S *	4/2015	Jensen	.....	D14/341
D696,246 S *	12/2013	Kim	.....	D14/341	D728,560 S *	5/2015	Seoc	.....	D14/341
D696,662 S *	12/2013	Song	.....	D14/341	D729,233 S *	5/2015	Lee	.....	D14/341
					D733,124 S *	6/2015	Sung	.....	D14/341
					D733,126 S *	6/2015	Sung	.....	D14/341
					D733,127 S *	6/2015	Sung	.....	D14/341

\* cited by examiner

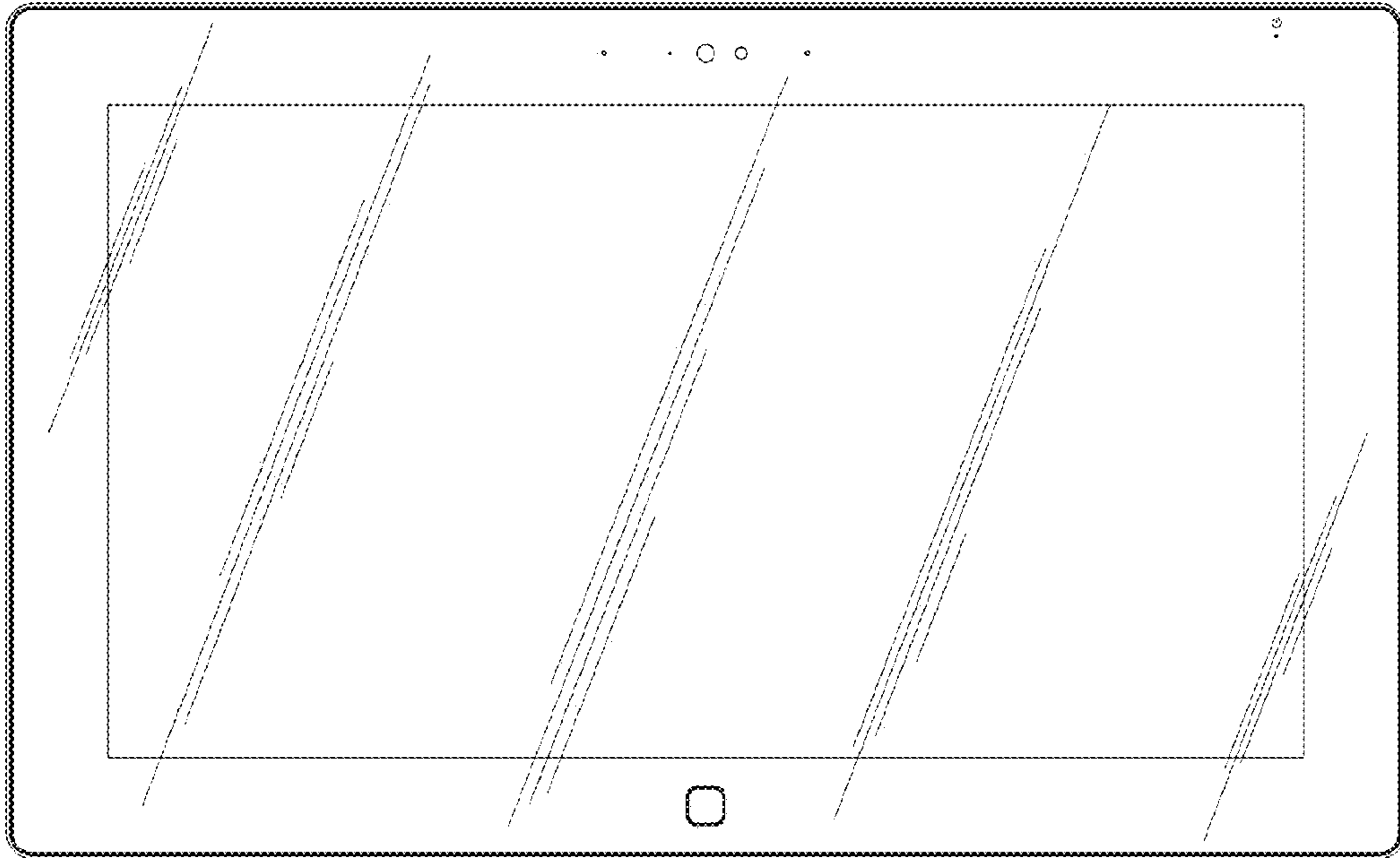


FIG. 1

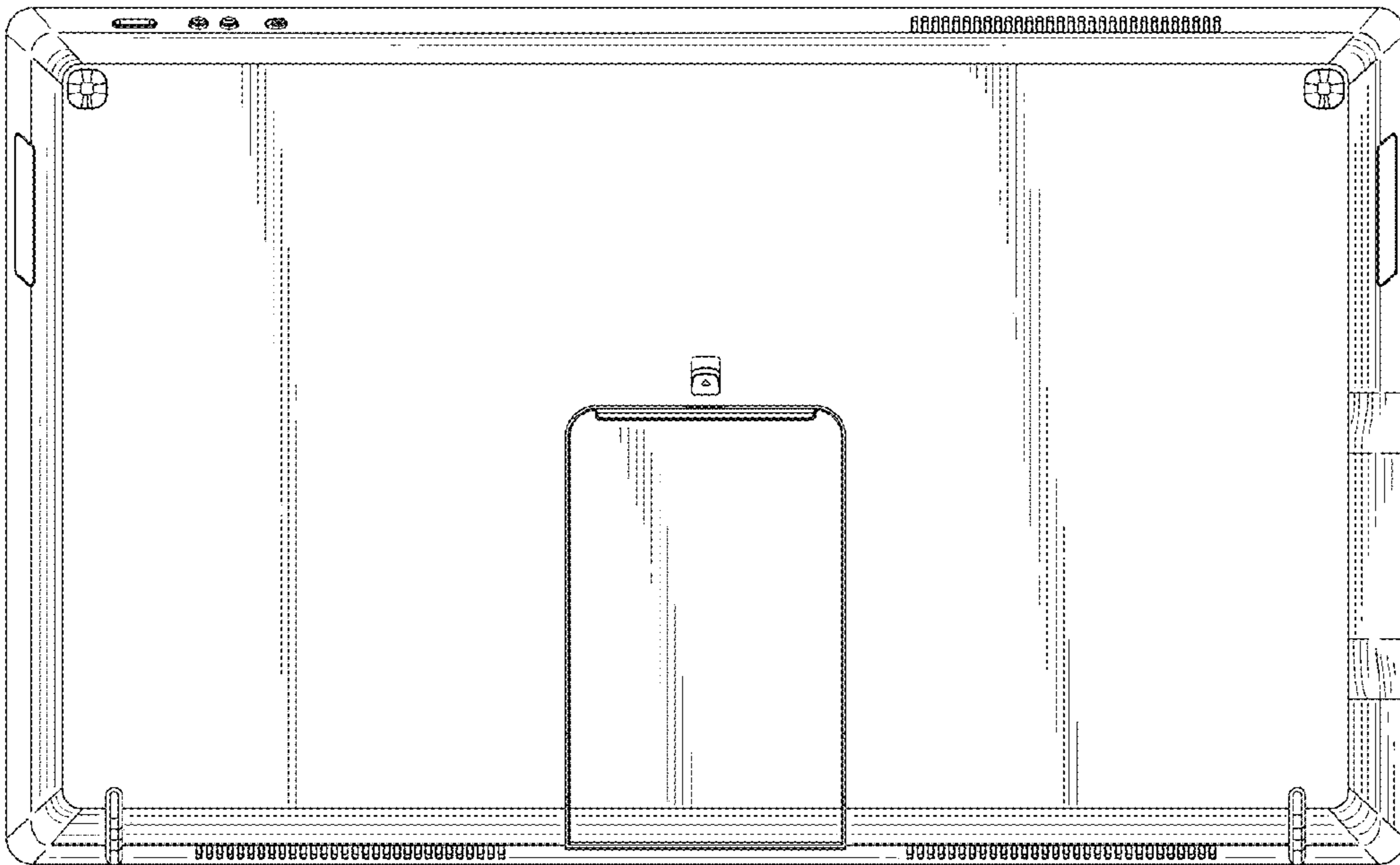


FIG. 2



FIG. 3

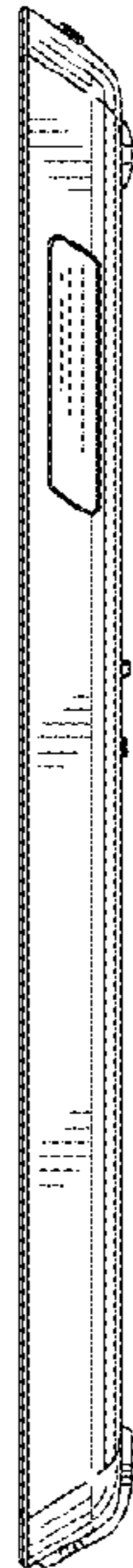


FIG. 4

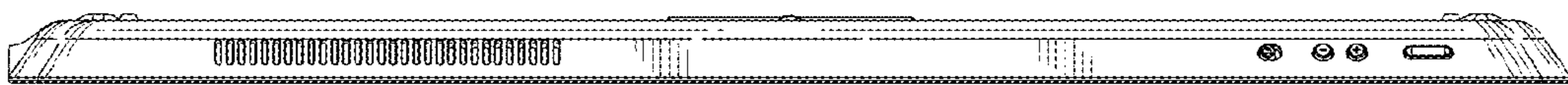


FIG. 5

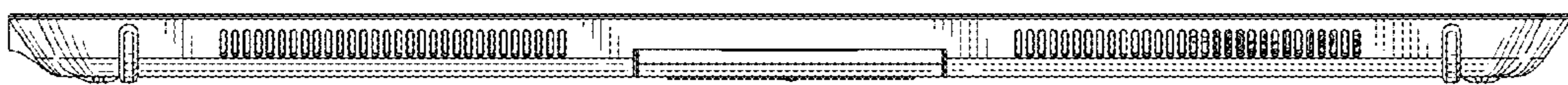


FIG. 6

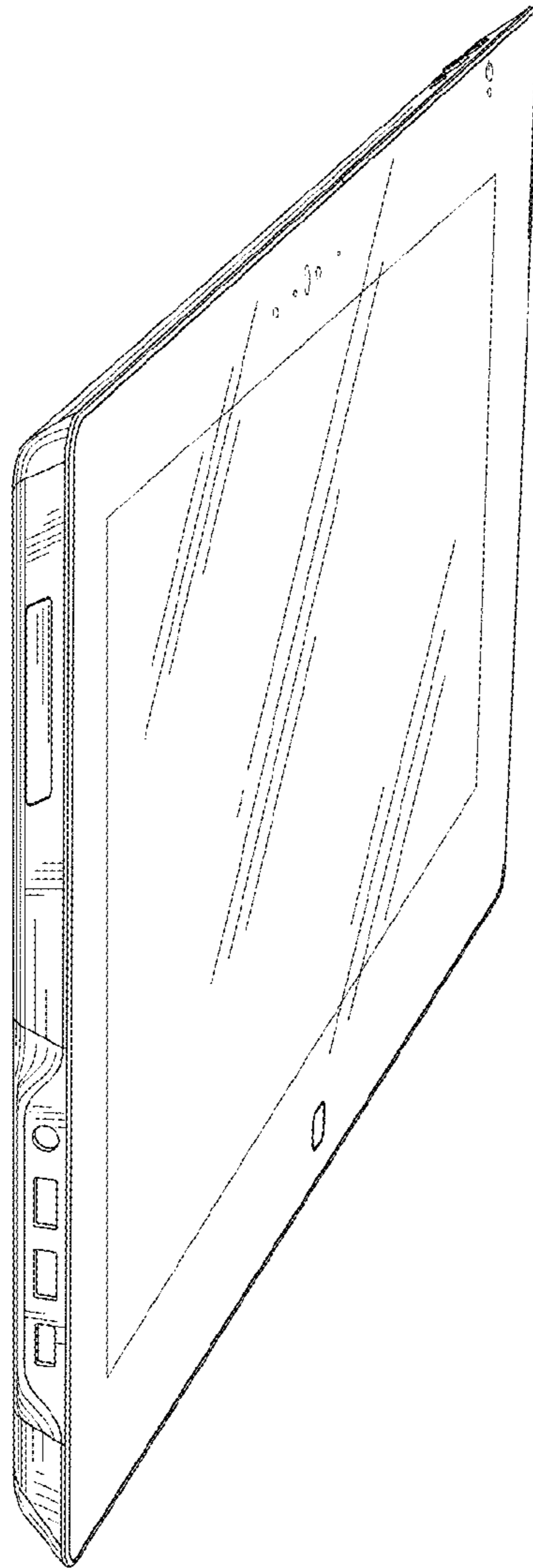


FIG. 7

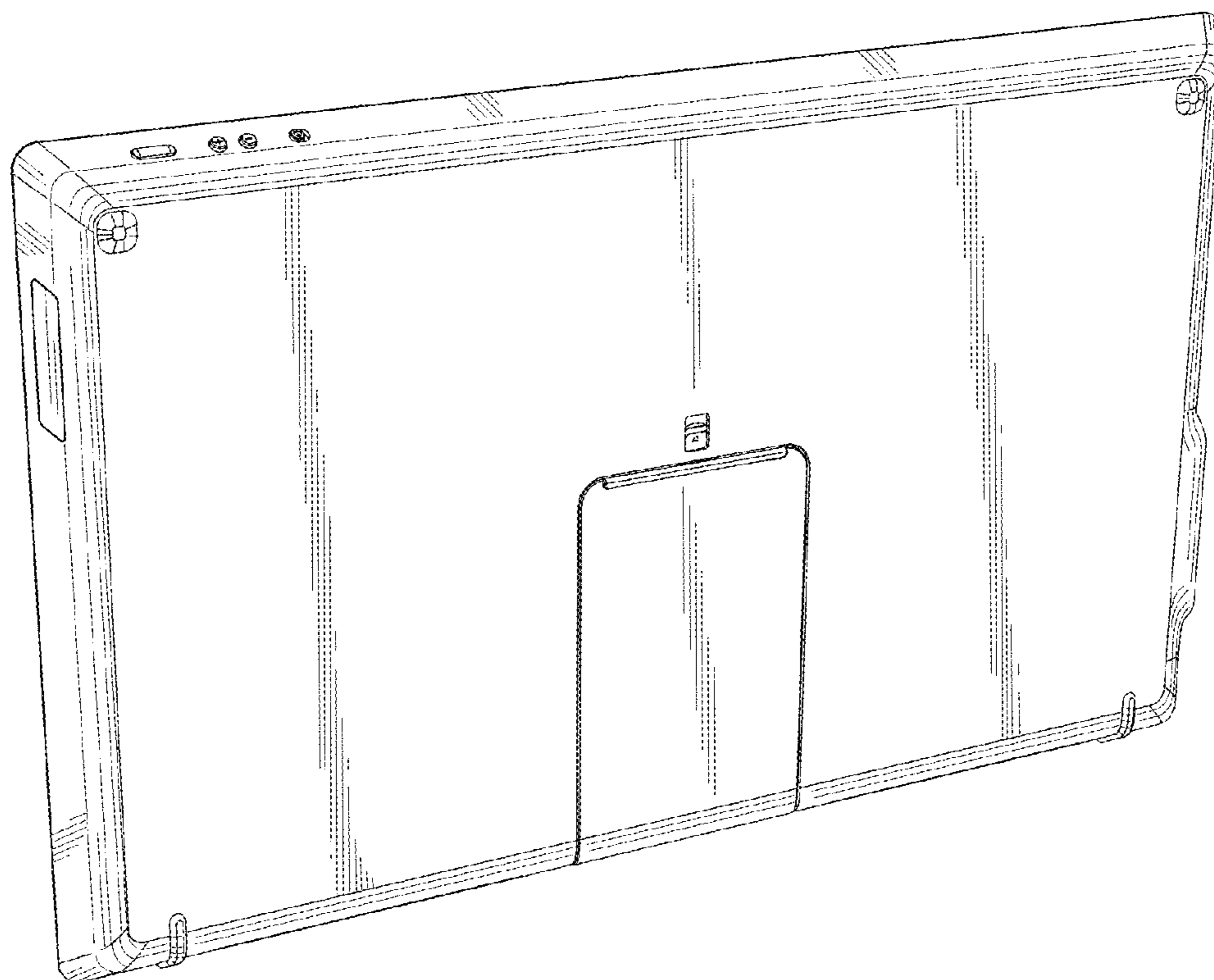


FIG. 8

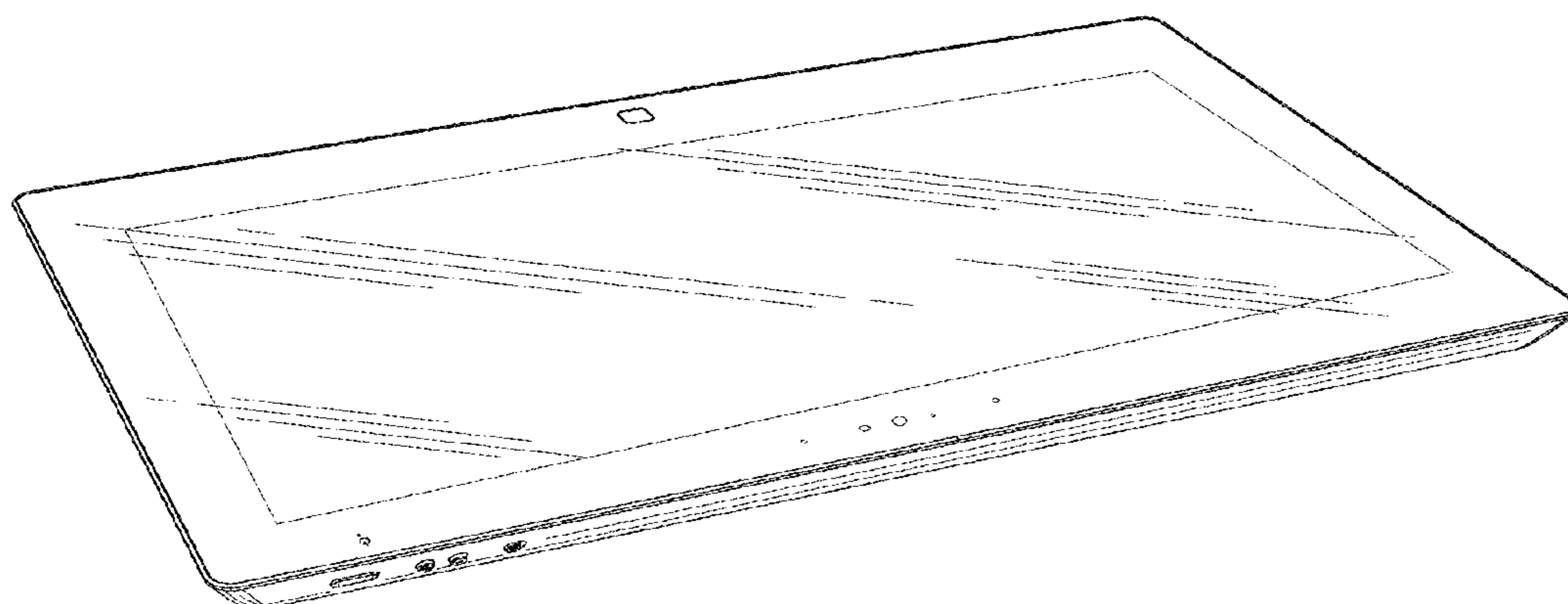


FIG. 9

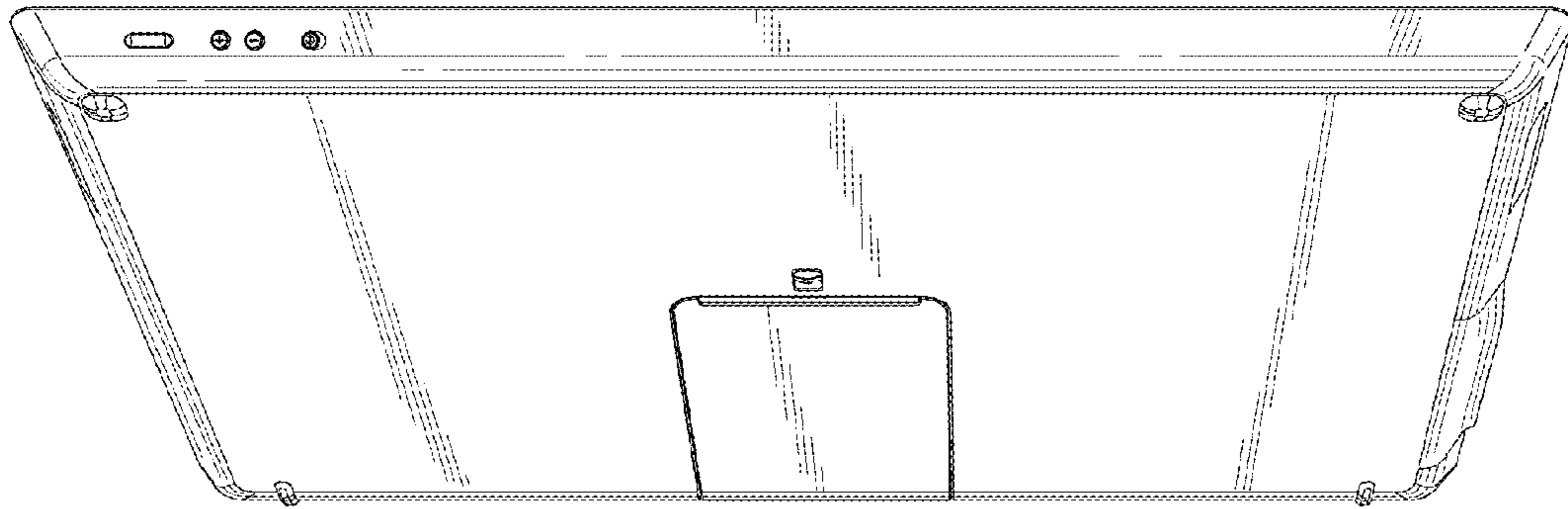


FIG. 10

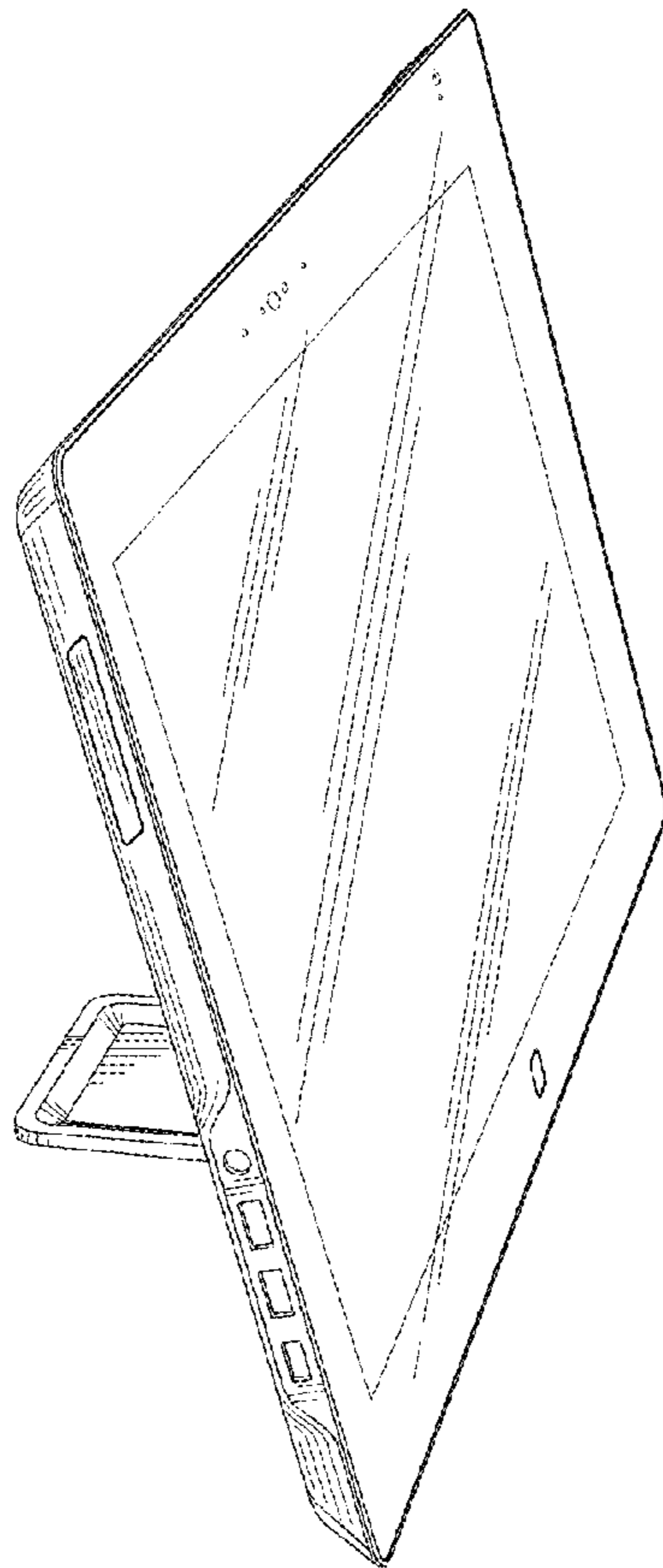


FIG. 11

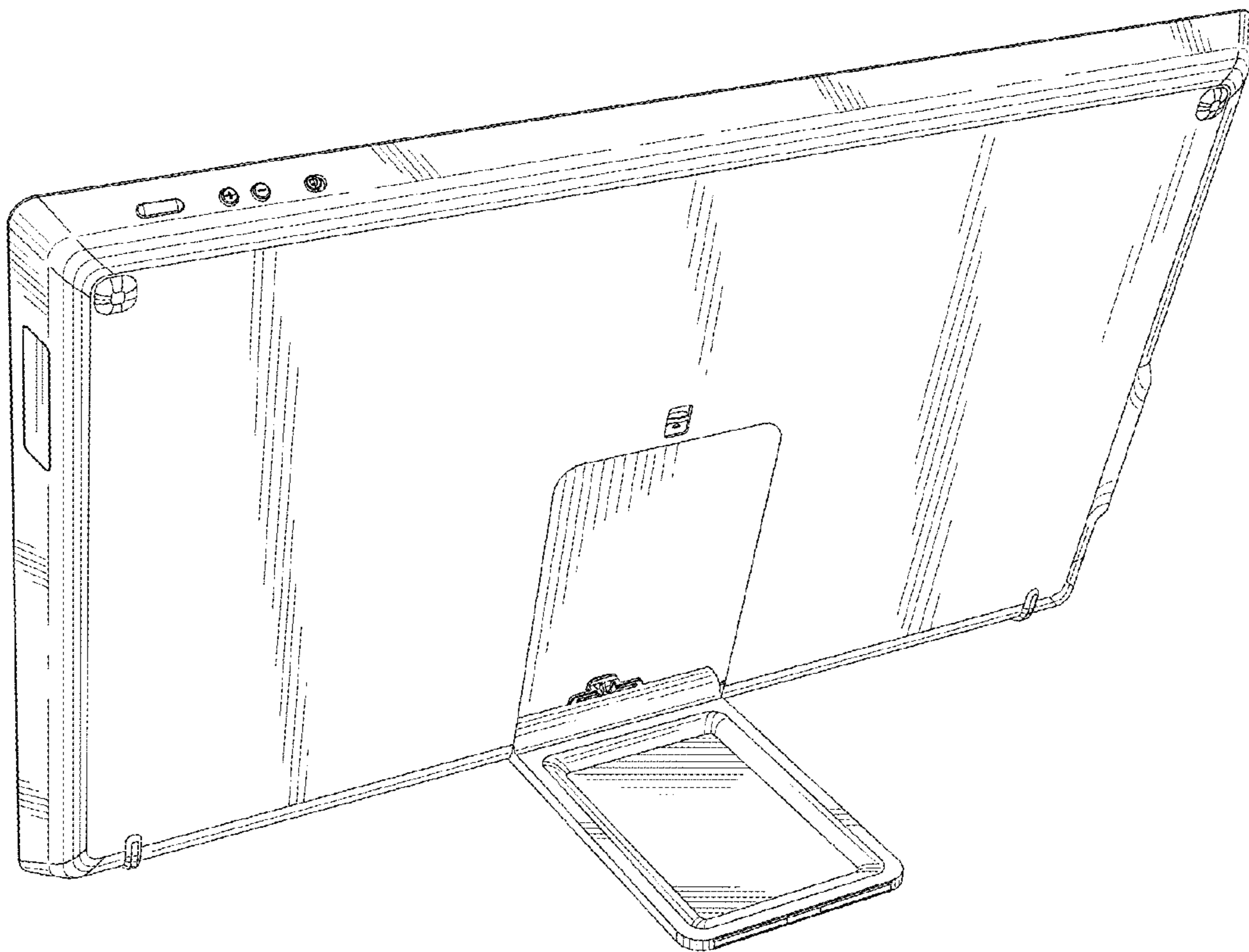


FIG. 12