



US00D751062S

(12) **United States Design Patent**
Chang

(10) **Patent No.:** **US D751,062 S**
(45) **Date of Patent:** **** Mar. 8, 2016**

(54) **PORTABLE COMPUTER**

(71) Applicant: **SHUTTLE INC.**, Taipei (TW)

(72) Inventor: **Chia-Jung Chang**, Taipei (TW)

(73) Assignee: **SHUTTLE INC.**, Taipei (TW)

(**) Term: **14 Years**

(21) Appl. No.: **29/510,982**

(22) Filed: **Dec. 5, 2014**

(51) **LOC (10) Cl.** **14-02**

(52) **U.S. Cl.**
USPC **D14/318**

(58) **Field of Classification Search**
USPC D14/315-327; D18/1, 2, 7, 11;
235/145 A, 145 R; 341/22, 23; 345/104,
345/156, 168, 169, 173; 361/679.08,
361/679.09, 679.11, 679.26, 679.27
CPC G06F 1/16; G06F 1/1616; G06F 1/1626;
G06F 1/1632; G06F 1/1613; G06F 1/1601;
G06F 1/1618; H01R 35/02; H03M 11/00;
G09B 13/04; H03K 17/94; G09G 5/00;
F16M 11/10

See application file for complete search history.

(56) **References Cited**

U.S. PATENT DOCUMENTS

D480,394 S *	10/2003	Skinner	D14/318
D591,282 S *	4/2009	Jen	D14/315
D606,990 S *	12/2009	Chen	D14/315
D627,342 S *	11/2010	Lin	D14/315

* cited by examiner

Primary Examiner — Freda S Nunn

(74) *Attorney, Agent, or Firm* — Chun-Ming Shih; HDLS IPR Services

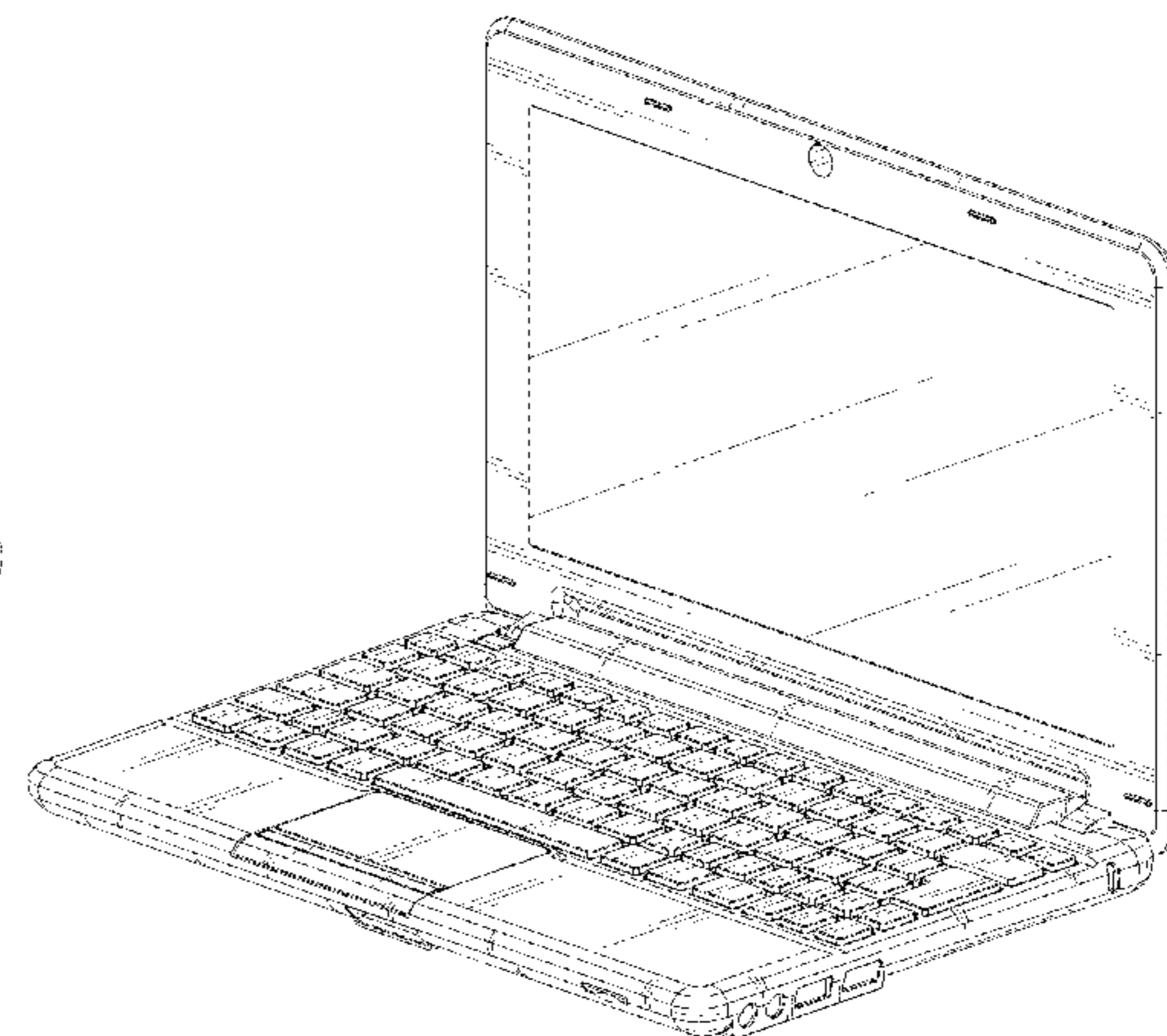
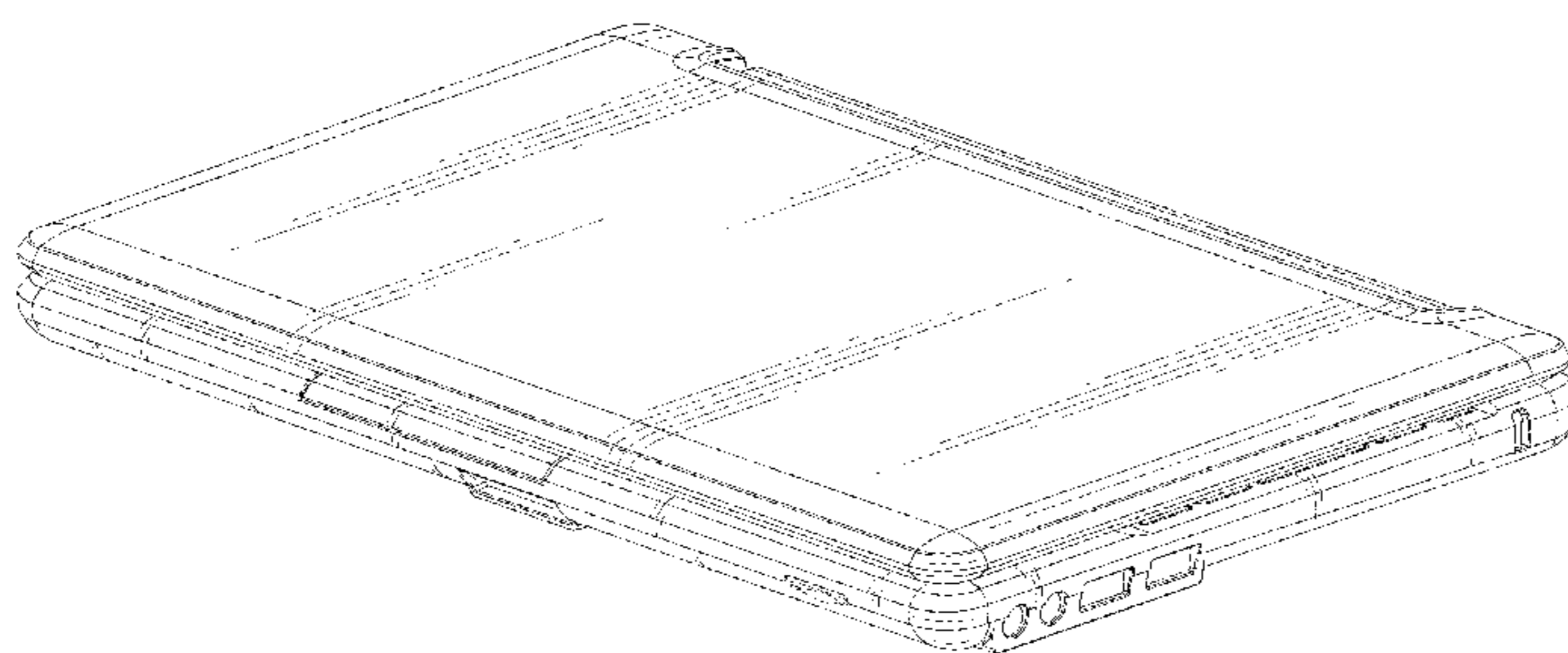
(57) **CLAIM**

The ornamental design for a portable computer, as shown and described.

DESCRIPTION

FIG. 1 is a top perspective view of a portable computer showing our new design;
FIG. 2 is a front view thereof;
FIG. 3 is a rear view thereof;
FIG. 4 is a left side view thereof;
FIG. 5 is a right side view thereof;
FIG. 6 is a top view thereof;
FIG. 7 is a bottom view thereof;
FIG. 8 is a bottom perspective view thereof; and,
FIG. 9 is a perspective view thereof shown opened for use.

1 Claim, 7 Drawing Sheets



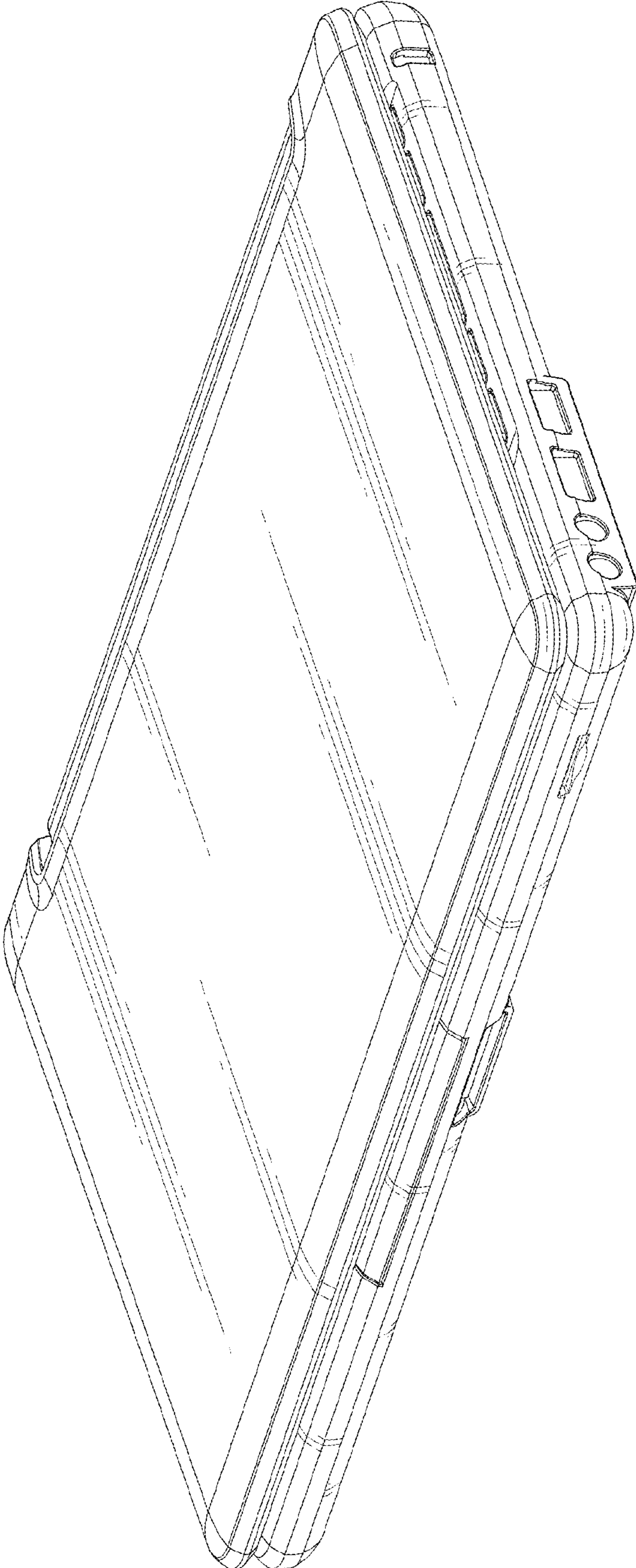


FIG.1

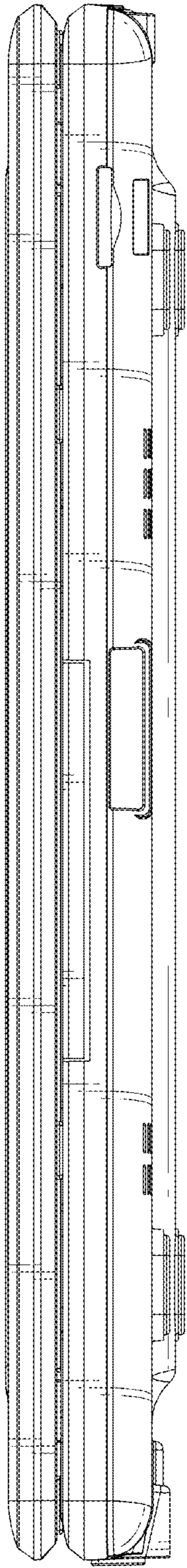


FIG. 2

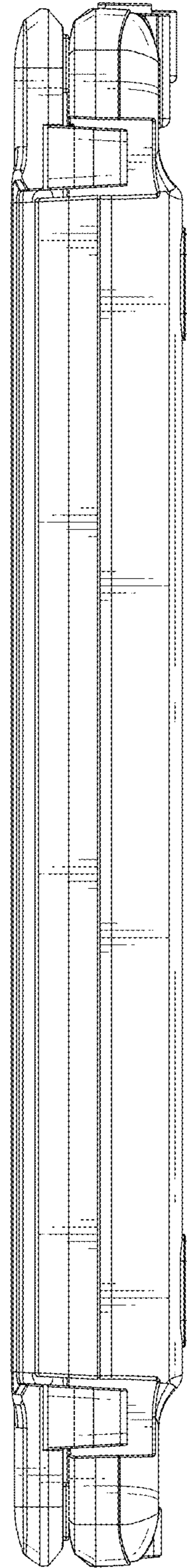


FIG. 3

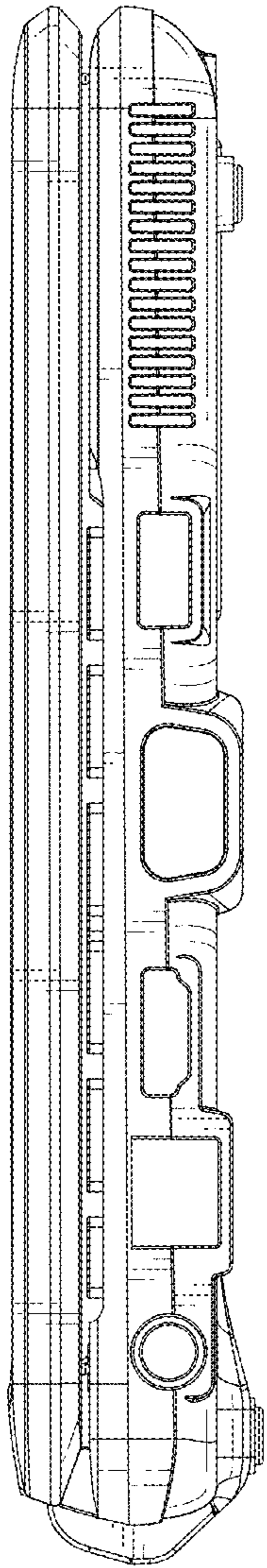


FIG. 4

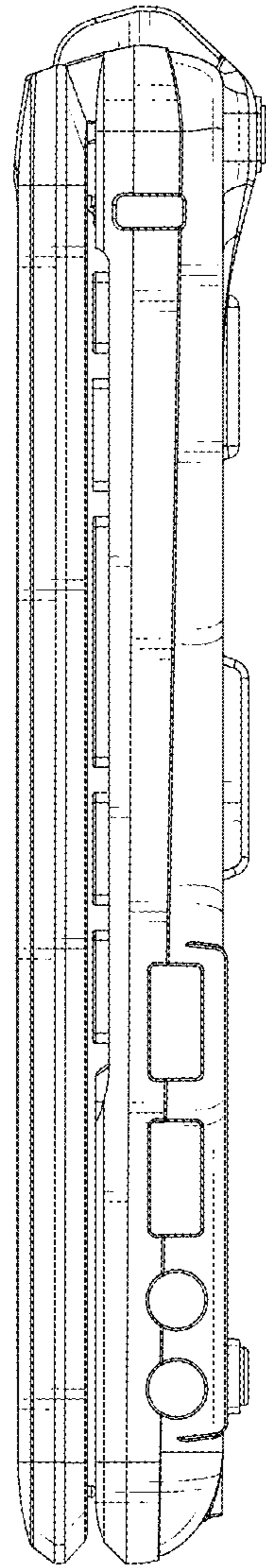


FIG. 5

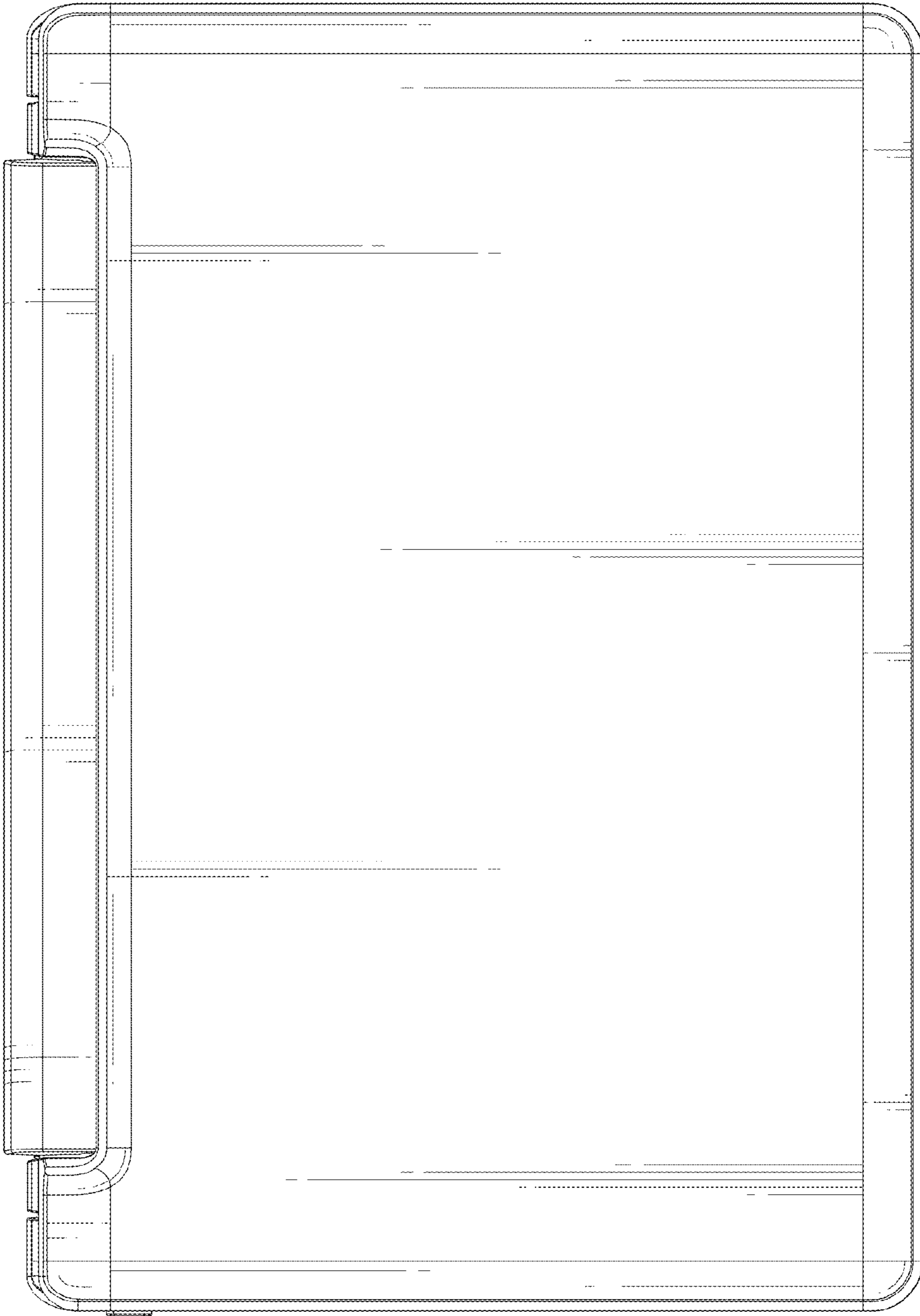


FIG.6

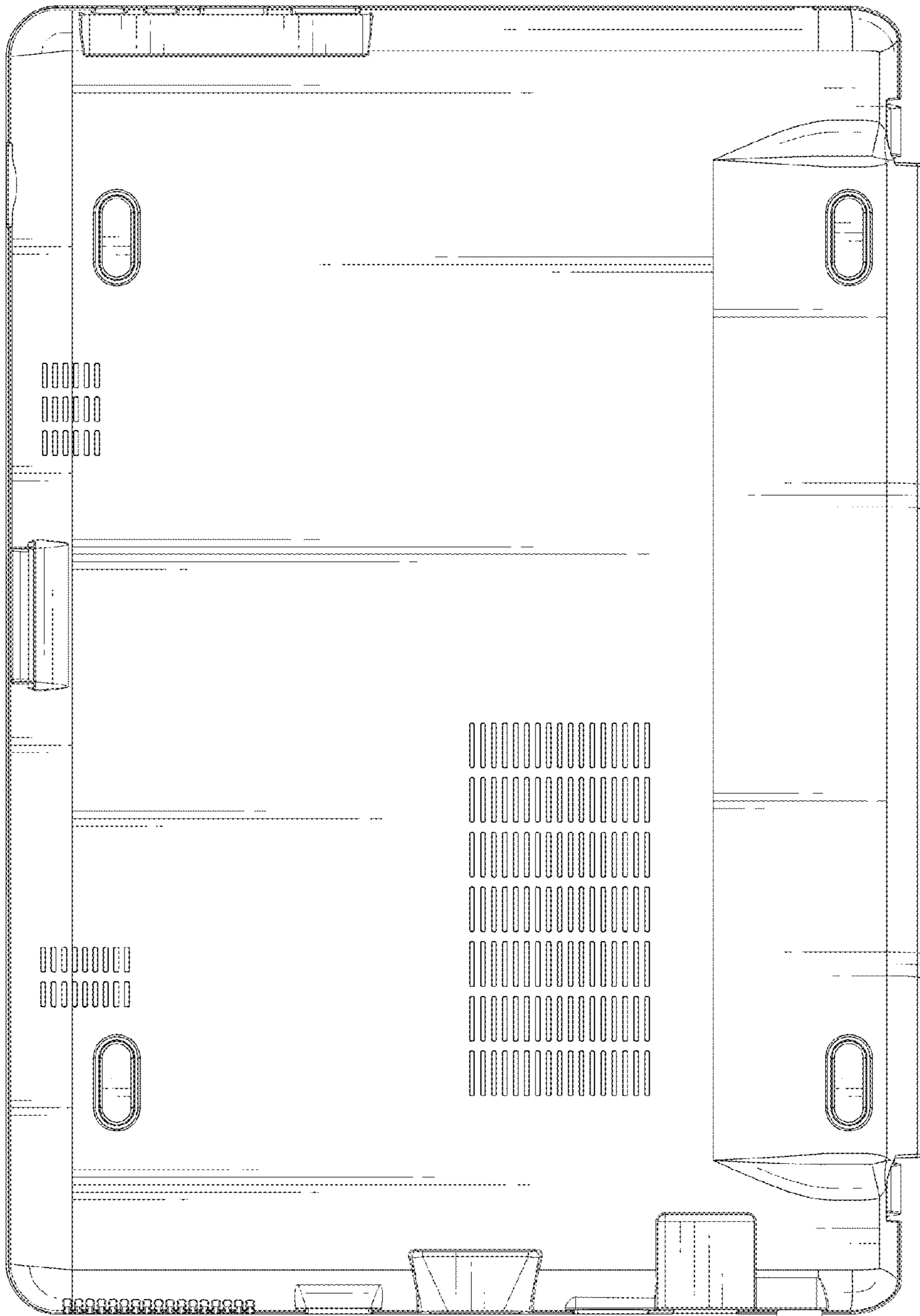


FIG.7

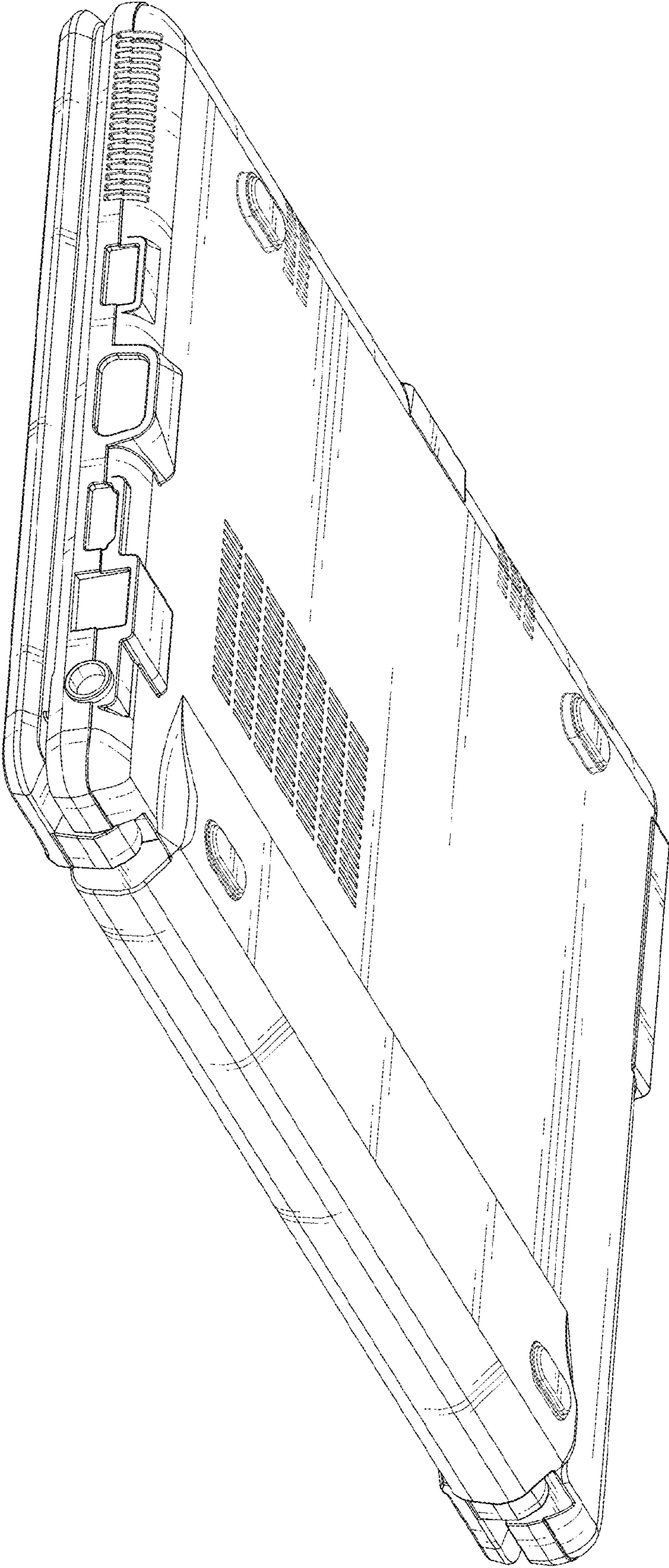


FIG. 8

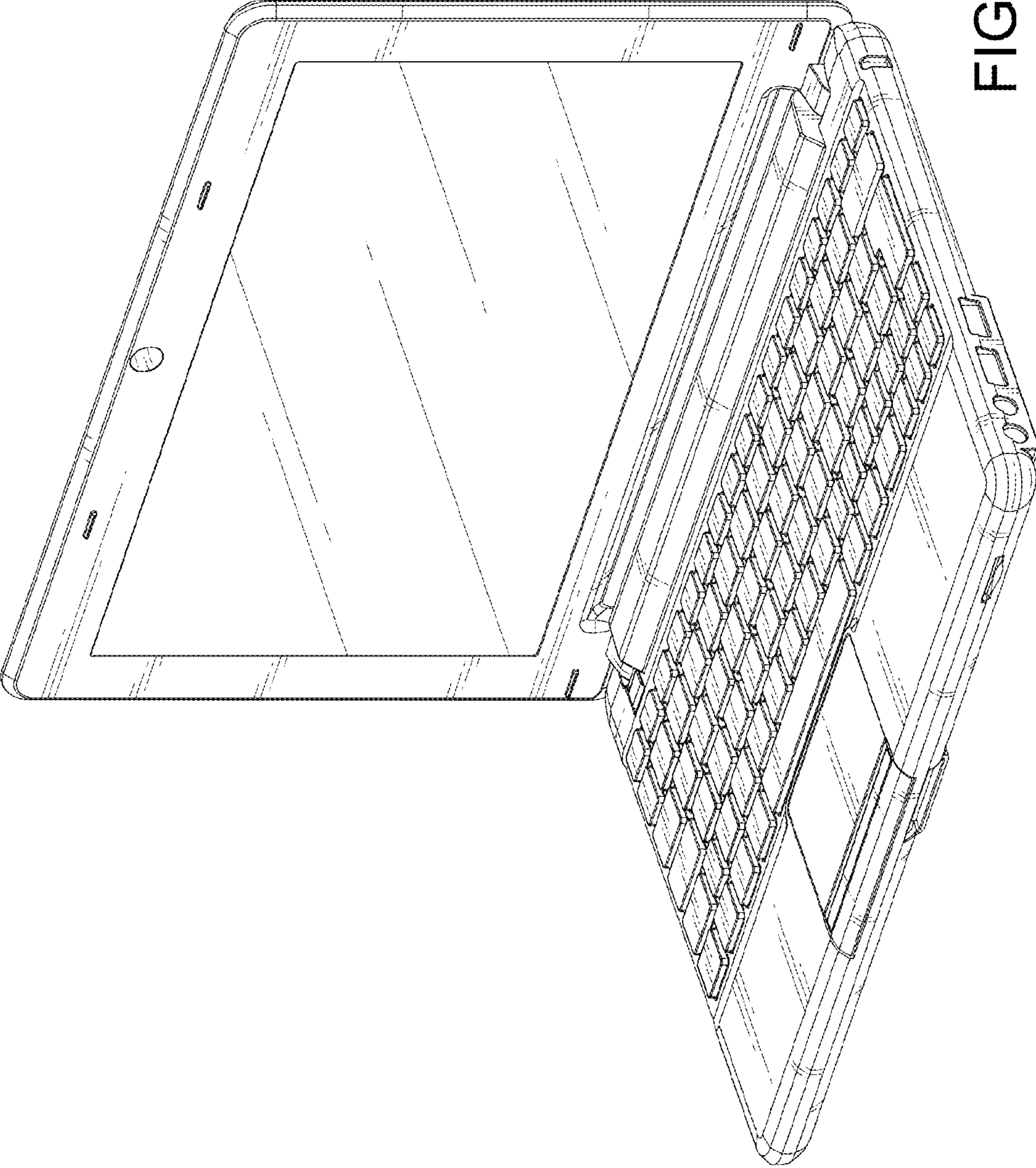


FIG.9