



US00D751061S

(12) **United States Design Patent**  
**Berini**

(10) **Patent No.:** **US D751,061 S**  
(45) **Date of Patent:** **\*\* Mar. 8, 2016**

(54) **KIOSK**  
(71) Applicant: **NextGenID, Inc.**, San Antonio, TX (US)  
(72) Inventor: **Dario John Berini**, Ashburn, VA (US)  
(73) Assignee: **NextgenID, Inc.**, San Antonio, TX (US)  
(\*\*) Term: **14 Years**

D605,191 S \* 12/2009 Kuroda ..... D14/307  
7,738,660 B2 6/2010 Scheidt et al. .... 380/258  
D625,305 S \* 10/2010 Bleck ..... D14/307  
7,817,800 B2 10/2010 Wack et al. .... 380/44  
D628,742 S \* 12/2010 Hsu ..... D14/307  
D629,585 S \* 12/2010 Bleck ..... D14/307  
D637,595 S \* 5/2011 Mizusugi ..... D14/303

(Continued)

(21) Appl. No.: **29/487,801**  
(22) Filed: **Apr. 11, 2014**

FOREIGN PATENT DOCUMENTS  
EP 1744264 1/2007 ..... G06K 9/00

(51) **LOC (10) Cl.** ..... **14-02**  
(52) **U.S. Cl.**  
USPC ..... **D14/307**  
(58) **Field of Classification Search**  
USPC ..... D14/302-307, 900-902; D13/163;  
D20/10; D21/332, 325, 369, 370;  
D99/28; D6/397, 466; 194/206;  
361/679.01, 679.02, 679.04, 679.21,  
361/679.57, 725  
CPC ..... G06Q 20/18; G06Q 20/10; G06Q 20/123;  
G06Q 20/20; G06Q 30/02; G06Q 30/06;  
A47F 9/047

OTHER PUBLICATIONS  
“CBES Multimodal Biometric Enrollment Station.” 3M Cogent, Inc.  
[online]. [retrieved on Dec. 11, 2012.]. Retrieved from the Internet:  
<URL: [http://www.cogentsystems.com/downloads/CBES\\_sm.pdf](http://www.cogentsystems.com/downloads/CBES_sm.pdf)>.

(Continued)

See application file for complete search history.

*Primary Examiner* — Austin Murphy  
(74) *Attorney, Agent, or Firm* — Nixon Peabody LLP

(57) **CLAIM**  
The ornamental design for kiosk, as shown and described.

(56) **References Cited**

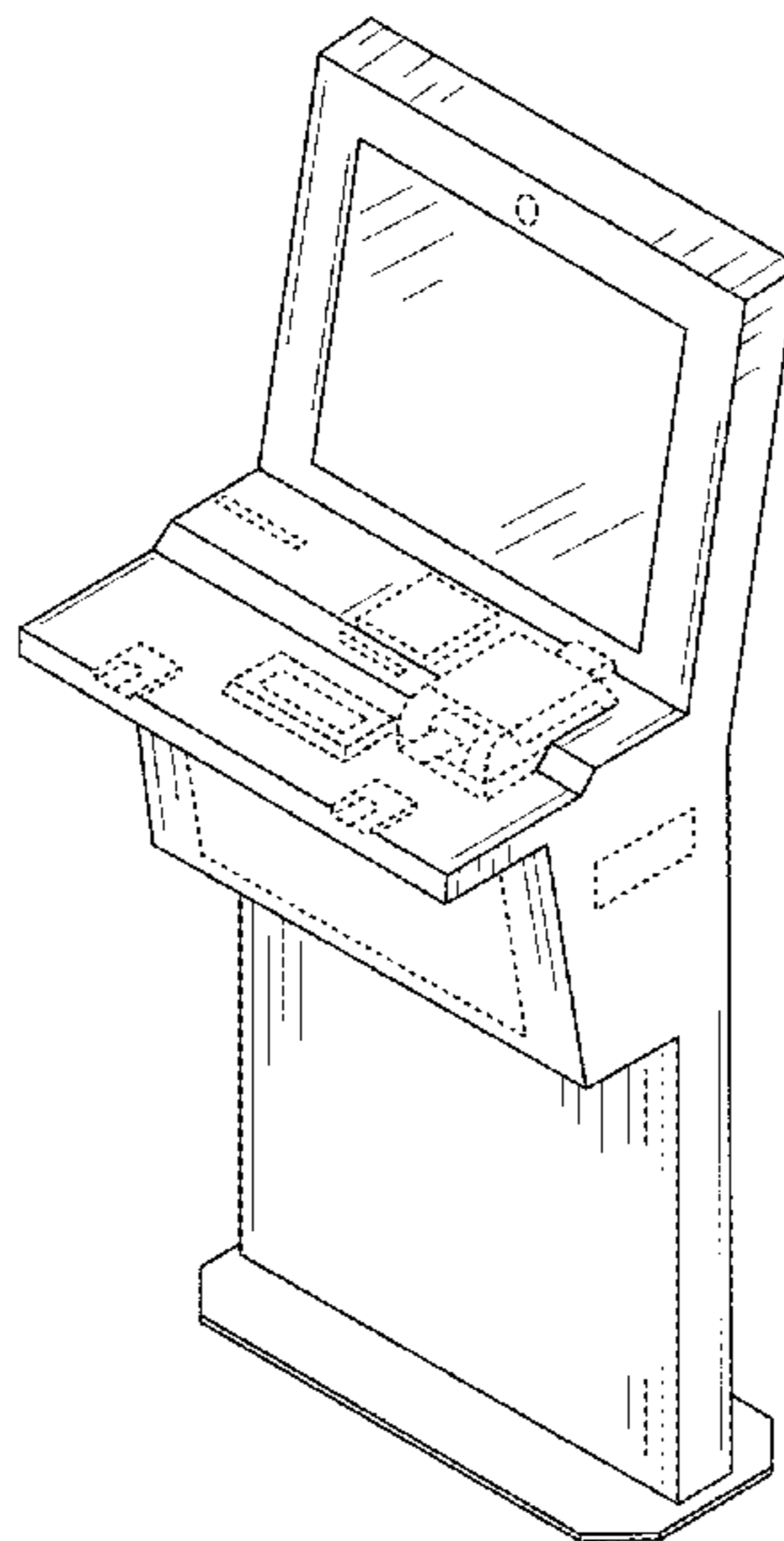
**DESCRIPTION**

U.S. PATENT DOCUMENTS

5,375,168 A 12/1994 Kudelski ..... 380/14  
D366,975 S \* 2/1996 Kaga ..... D14/307  
6,694,433 B1 2/2004 Kolouch ..... 713/176  
7,079,653 B2 7/2006 Scheidt et al. .... 380/258  
7,095,852 B2 8/2006 Wack et al. .... 380/44  
7,212,632 B2 5/2007 Scheidt et ..... 380/44  
7,278,026 B2 10/2007 McGowan ..... 713/186  
D565,044 S \* 3/2008 Witts ..... D14/307  
D590,387 S \* 4/2009 Chen ..... D14/307  
D605,189 S \* 12/2009 Kuroda ..... D14/307  
D605,190 S \* 12/2009 Kuroda ..... D14/307

FIG. 1 is a perspective view of a first embodiment of a kiosk showing our new design.  
FIG. 2 is a front elevation view of the kiosk of FIG. 1.  
FIG. 3 is a back elevation view of the kiosk of FIG. 1.  
FIG. 4 is a first side elevation view of the kiosk of FIG. 1.  
FIG. 5 is a second side elevation view of the kiosk of FIG. 1.  
FIG. 6 is a top plan view of the kiosk of FIG. 1; and,  
FIG. 7 is a bottom plan view of the kiosk of FIG. 1.  
The portions of the drawings shown in broken lines represent environmental structure and form no part of the claimed design.

**1 Claim, 4 Drawing Sheets**



(56)

## References Cited

## U.S. PATENT DOCUMENTS

7,974,410	B2	7/2011	Scheidt et al.	380/47
8,077,870	B2	12/2011	Wack et al.	380/44
D661,293	S *	6/2012	Kuroda	D14/307
D675,607	S *	2/2013	Ono	D14/307
D676,038	S *	2/2013	Masuda	D14/307
D691,141	S *	10/2013	Cruz	D14/307
D692,885	S *	11/2013	Cruz	D14/307
D695,285	S *	12/2013	Smith	D14/307
D701,860	S *	4/2014	Daniel	D14/307
D702,675	S *	4/2014	Jones	D14/307
D703,670	S *	4/2014	Rotsaert	D14/307
D707,674	S *	6/2014	Daniel	D14/307
D707,676	S *	6/2014	Azuma	D14/307
D707,677	S *	6/2014	Azuma	D14/307
D708,676	S *	7/2014	Ballman	D14/307
D717,785	S *	11/2014	Winston	D14/307
D721,696	S *	1/2015	Birgeoglu	D14/307
D723,025	S *	2/2015	Birgeoglu	D14/307
D723,538	S *	3/2015	Catoe	D14/307
D727,307	S *	4/2015	Kraft	D14/307
D727,308	S *	4/2015	Kraft	D14/307
D732,520	S *	6/2015	Themann	D14/307
D732,522	S *	6/2015	Chadbourne	D14/307
D734,315	S *	7/2015	Masuda	D14/307
D734,316	S *	7/2015	Alvarez	D14/307
2005/0229007	A1	10/2005	Bolle et al.	713/186
2009/0034803	A1	2/2009	Matos	382/116
2010/0290668	A1	11/2010	Friedman et al.	382/103
2011/0178930	A1	7/2011	Scheidt et al.	5/50
2012/0293642	A1	11/2012	Berini et al.	348/77

## OTHER PUBLICATIONS

“Law Enforcement Product Overview.” 3M Cogent, Inc. [online], [retrieved on Dec. 11, 2012]. Retrieved from the Internet: <URL: [http://www.cogentsystems.com/downloads/LE\\_Overview.pdf](http://www.cogentsystems.com/downloads/LE_Overview.pdf)>.

“VB E-PASS® Kiosk” Vision-Box [online], [retrieved on Dec. 11, 2012]. Retrieved from the Internet: <URL: <http://www.vision-box.com/solutions/vbepass/>>.

“VB E-PASS® Desktop” Vision-Box [online], [retrieved on Dec. 11, 2012]. Retrieved from the Internet: <URL: <http://www.vision-box.com/solutions/vbepassdesktop/>>.

“VB E-PASS® Portable” Vision-Box [online], [retrieved on Dec. 11, 2012]. Retrieved from the Internet: <URL: <http://www.vision-box.com/solutions/mobile-vbepass/>>.

“VB E-PASS® Dispenser” Vision-Box [online], [retrieved on Dec. 11, 2012]. Retrieved from the Internet: <URL: <http://www.vision-box.com/solutions/vb-i-dispenser/>>.

“VB I-MATCH” Vision-Box [online.], [retrieved on Dec. 11, 2012]. Retrieved from the Internet: <URL: <http://www.vision-box.com/solutions/vb-i-match/>>.

“VB SENTRYSPIDER” Vision-Box [online]. [retrieved on Dec. 11, 2012.]. Retrieved from the Internet: <URL: <http://www.vision-box.com/solutions/vb-sentryspider/>>.

International Search Report mailed Nov. 23, 2012 which issued in International Patent Application No. PCT/US2012/038675 (5 pages).  
Written Opinion mailed Nov. 23, 2012 which issued in International Patent Application No. PCT/US2012/038675 (5 pages).

\* cited by examiner

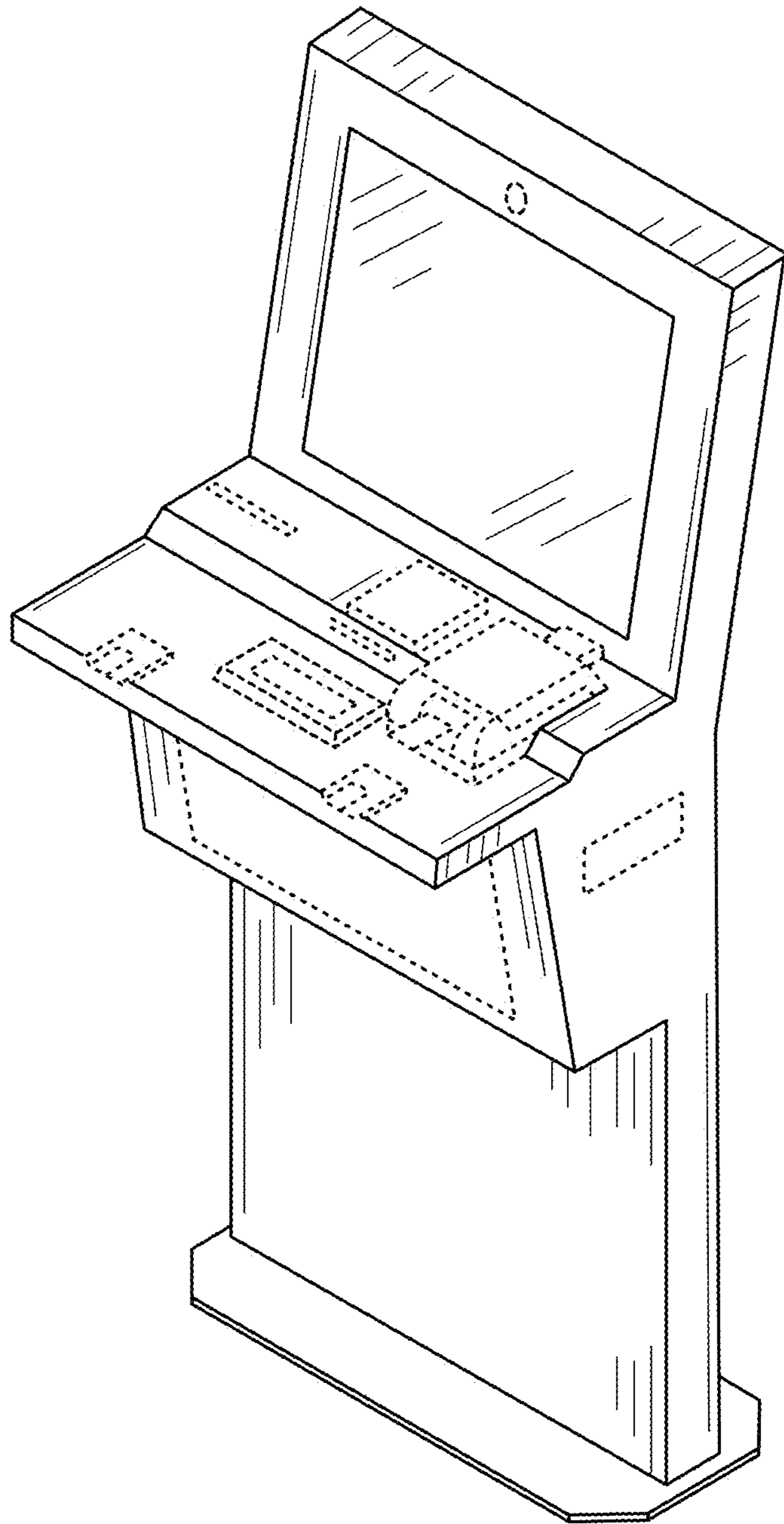


FIG. 1

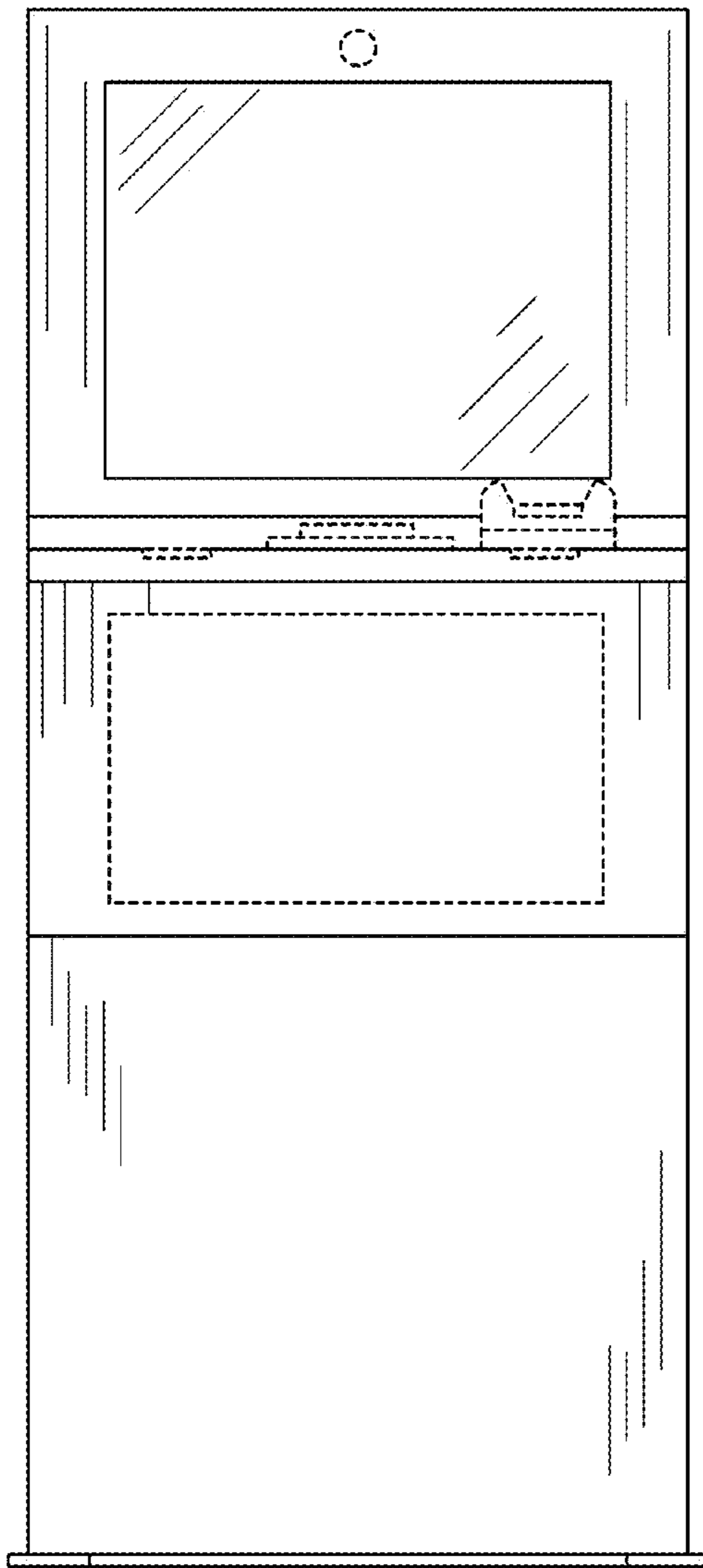


FIG. 2

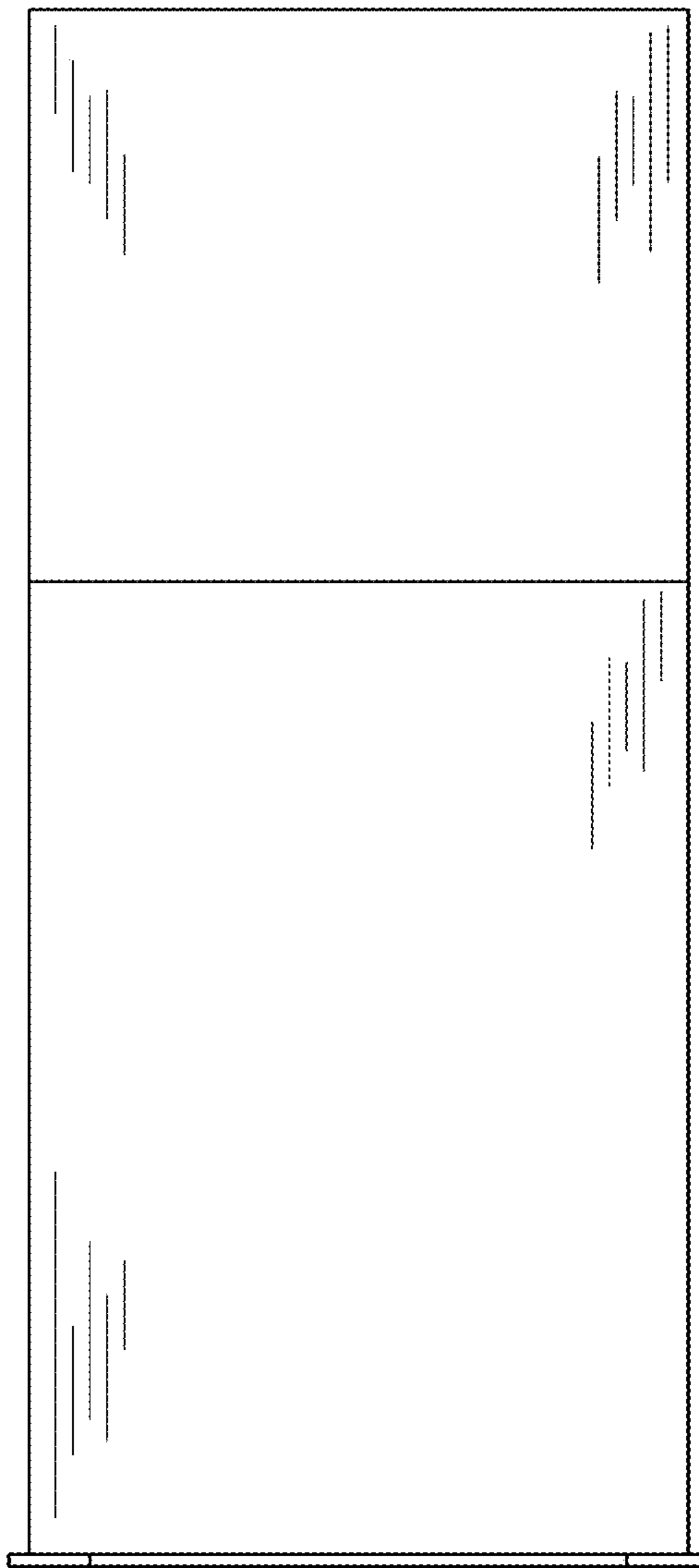


FIG. 3



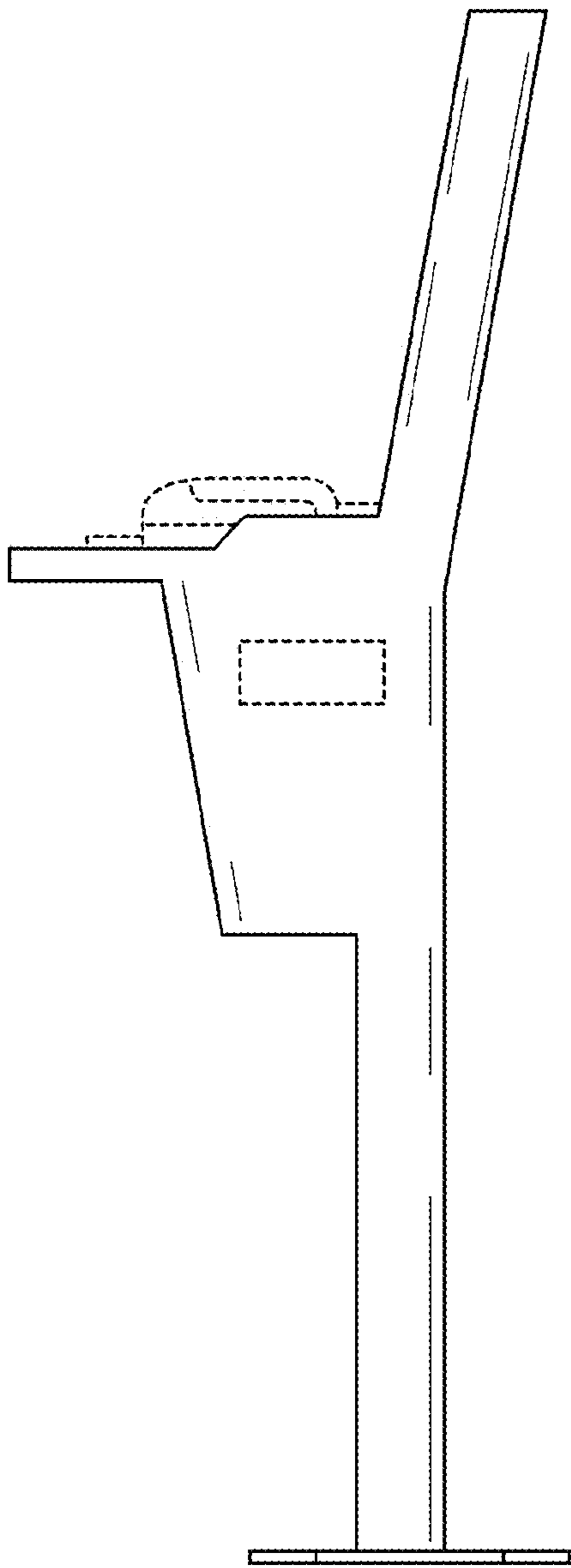


FIG. 4

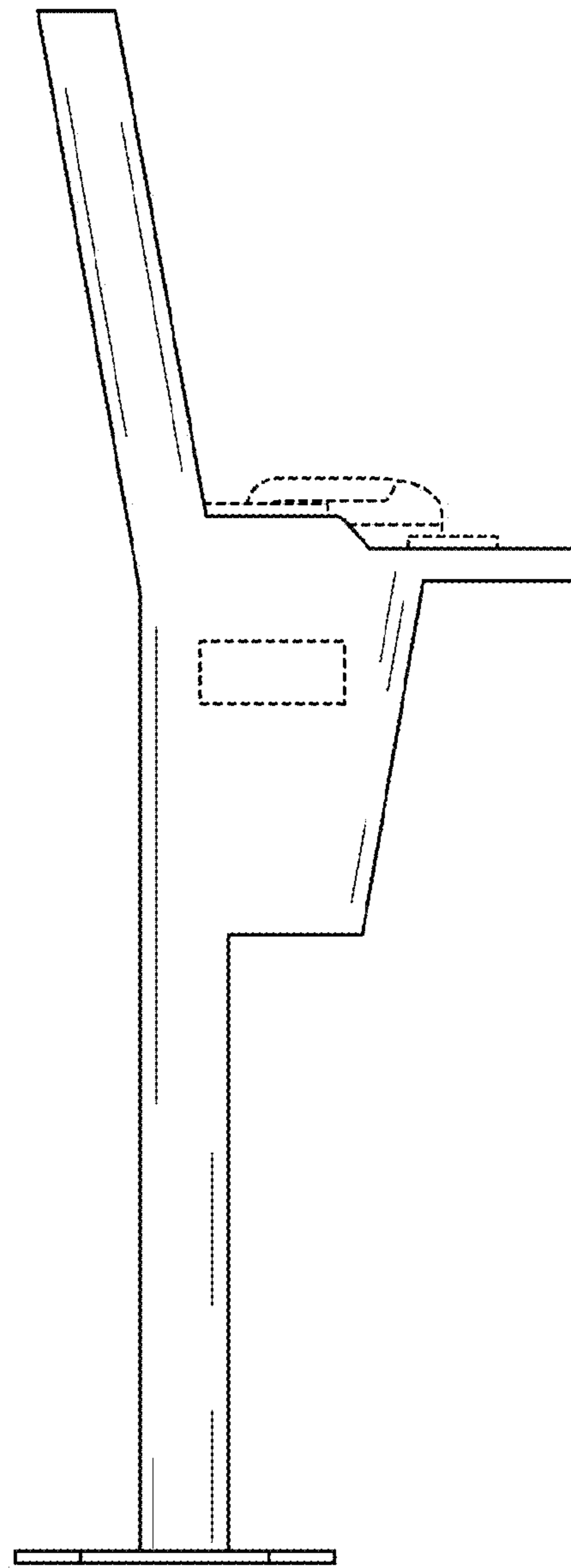


FIG. 5

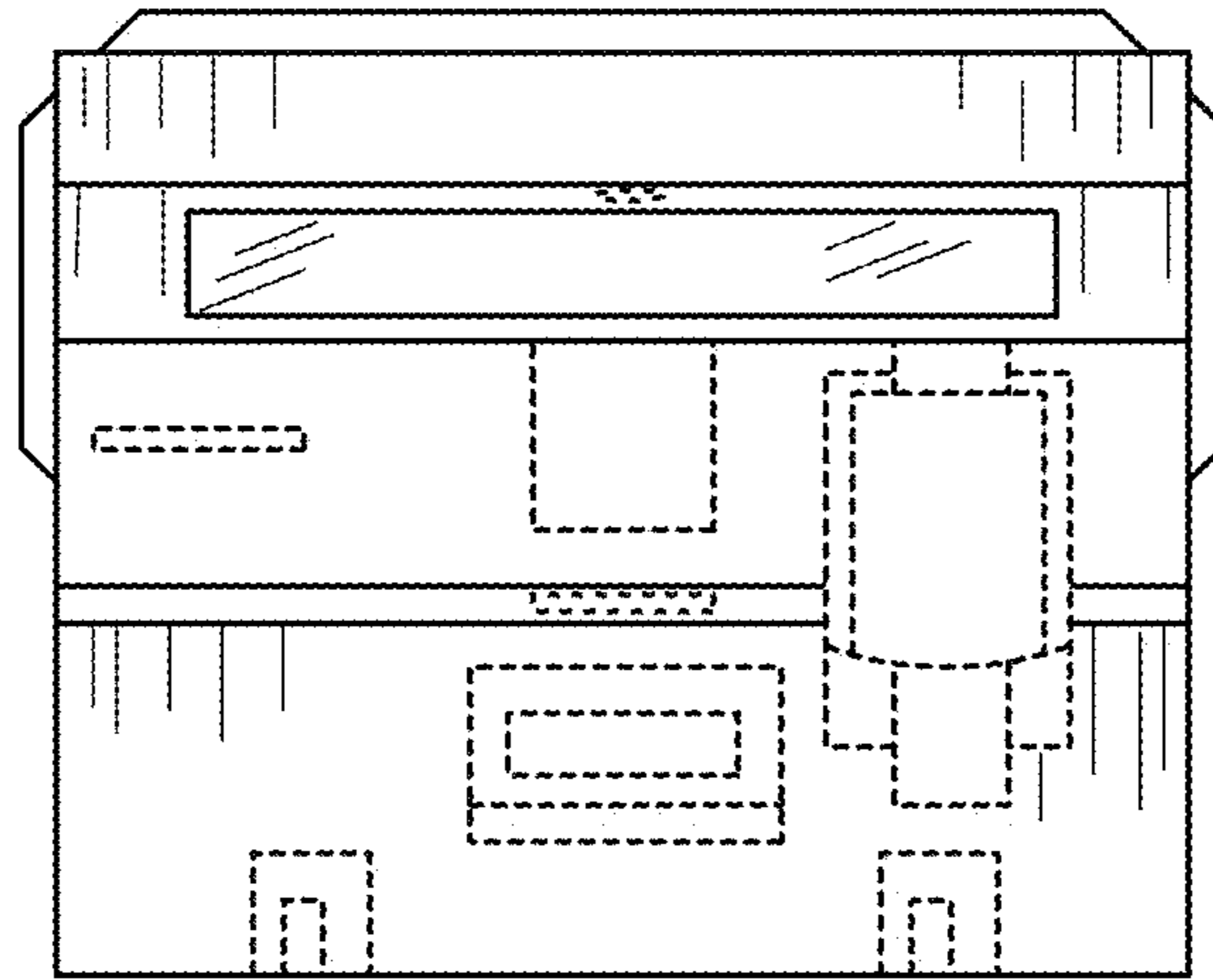


FIG. 6

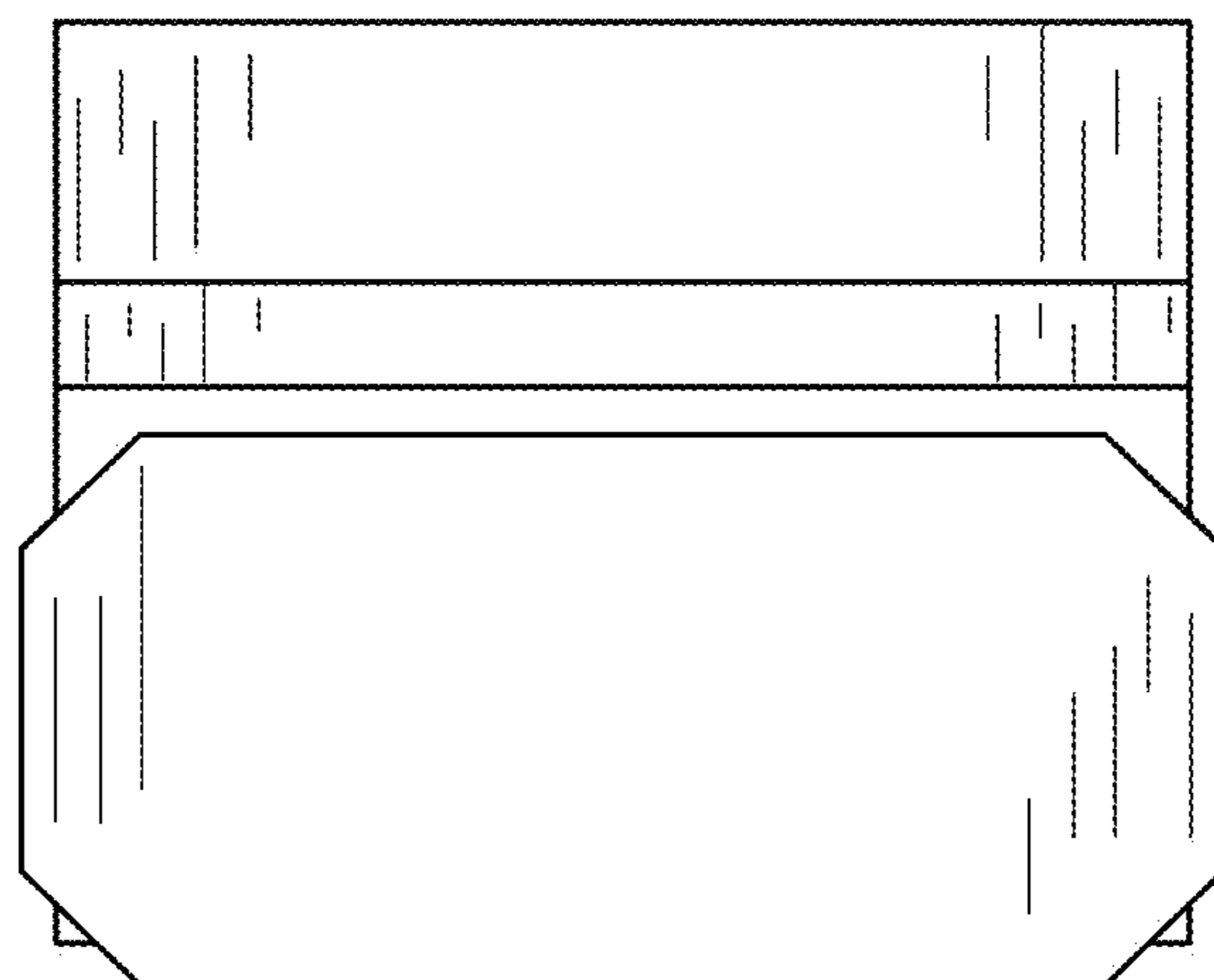


FIG. 7