



US00D751060S

(12) **United States Design Patent**
Cooper et al.

(10) **Patent No.:** **US D751,060 S**
(45) **Date of Patent:** **** Mar. 8, 2016**

(54) **MOUNT**

D671,110 S * 11/2012 Choi D14/253
D676,032 S * 2/2013 Stump et al. D14/250
D676,371 S * 2/2013 Son D12/415

(71) Applicant: **Freedman Electronics Pty. Ltd.**,
Silverwater, NSW (AU)

(Continued)

(72) Inventors: **Peter Noel Cooper**, Bronte (AU);
Samuel Dean Trewartha, Petersham
(AU); **Tom Ferghana Rogers Fereday**,
Surry Hills (AU)

OTHER PUBLICATIONS

StudioNeat, Glif, Jan. 2010.

(Continued)

(73) Assignee: **Freedman Electronics Pty. Ltd** (AU)

Primary Examiner — Mark Goodwin

(**) Term: **14 Years**

(74) *Attorney, Agent, or Firm* — Saidman DesignLaw
Group, LLC

(21) Appl. No.: **29/441,540**

(57)

CLAIM

The ornamental design for a mount, as shown and described.

(22) Filed: **Jan. 7, 2013**

DESCRIPTION

(51) **LOC (10) Cl.** **14-03**

(52) **U.S. Cl.**
USPC **D14/251**; D14/253

(58) **Field of Classification Search**
USPC D14/149, 250–253, 299, 452, 454, 447;
D8/355, 363, 373, 380; D12/415, 425;
248/206.2–206.4, 220.21, 279.1, 121,
248/131, 157; 379/426, 446, 454, 455, 449;
224/571

CPC F16M 13/02; F16M 13/00; F16M 13/022;
F16M 2200/027; G01C 15/00

See application file for complete search history.

FIG. 1 is a front perspective view of a mount showing our new design;
FIG. 2 is a front view thereof;
FIG. 3 is a rear view thereof;
FIG. 4 is a left side view thereof;
FIG. 5 is a right side view thereof;
FIG. 6 is a top view thereof;
FIG. 7 is a bottom view thereof;
FIG. 8 is a front perspective view thereof, showing the mount in an open position;
FIG. 9 is a front view thereof;
FIG. 10 is a rear view thereof;
FIG. 11 is a left side view thereof;
FIG. 12 is a right side view thereof;
FIG. 13 is a top view thereof; and,
FIG. 14 is a bottom view thereof.

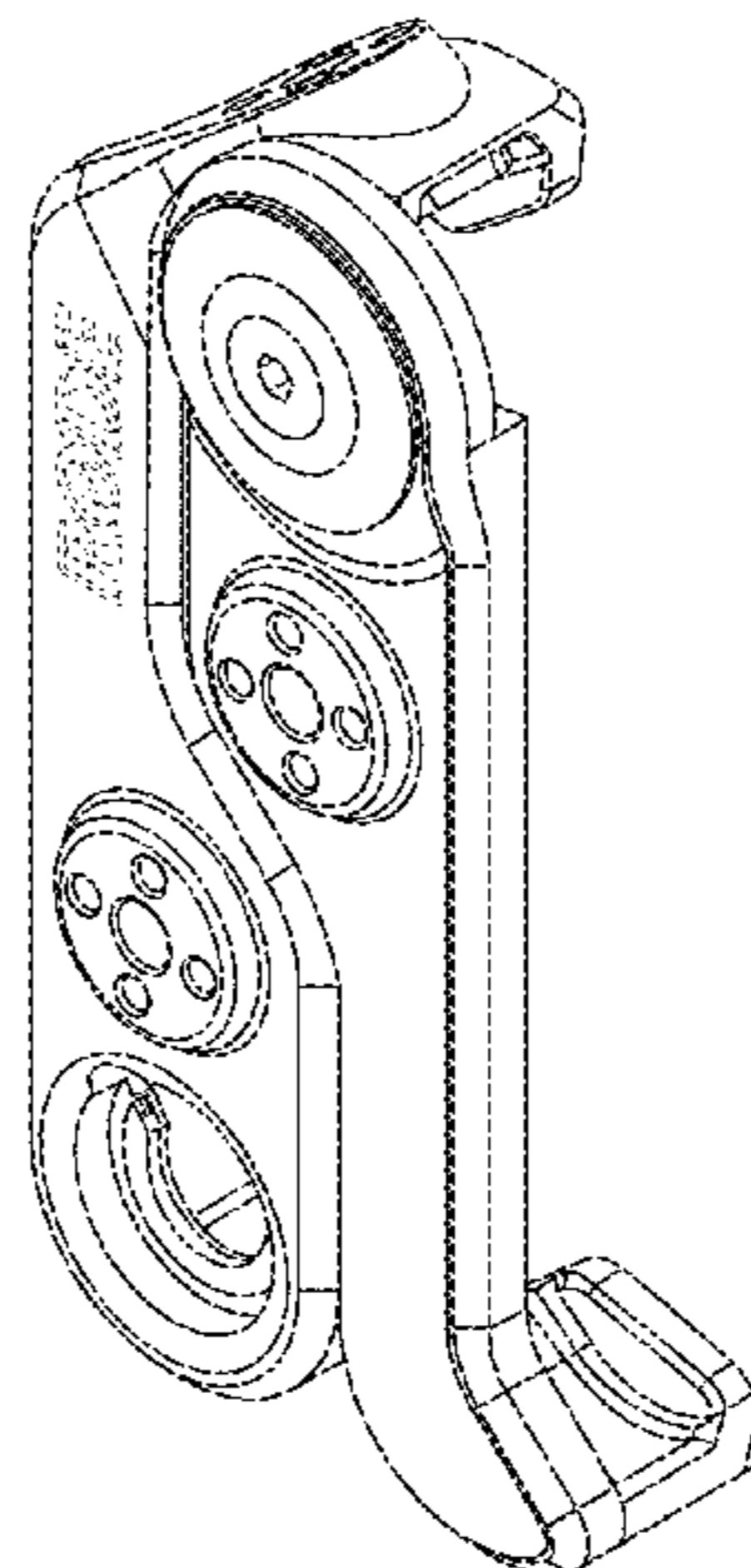
(56) **References Cited**

U.S. PATENT DOCUMENTS

5,187,744 A * 2/1993 Richter 379/449
D337,333 S * 7/1993 Turk D14/251
D528,539 S * 9/2006 McClaude D14/253
D590,238 S * 4/2009 Richter D8/363
D605,188 S * 12/2009 Martinez D14/253
D613,731 S * 4/2010 Yeo D14/253
D614,613 S * 4/2010 Kim et al. D14/253
D625,715 S * 10/2010 Adams, II D14/253
D626,541 S * 11/2010 Kim et al. D14/253
D645,462 S * 9/2011 Choi D14/253
D669,459 S * 10/2012 Kim D14/253

The drawings include CAD lines that indicate contour, not surface decoration. The RODE wording and/or logo form no part of the claimed design. The center and projection lines form no part of the claimed design. The elements that form no part of the claimed design may be converted to broken lines or deleted from the drawings by amendment. The CAD lines may be eliminated or modified by amendment to reflect conventional surface shading.

1 Claim, 14 Drawing Sheets



(56)

References Cited

U.S. PATENT DOCUMENTS

D681,028 S * 4/2013 Richter D14/253
D681,029 S * 4/2013 Richter D14/253
D682,903 S * 5/2013 Bratt D16/131
D684,569 S * 6/2013 Willenborg D14/253
8,490,937 B2 * 7/2013 Crain et al. 248/316.6
D703,204 S * 4/2014 Riddiford et al. D14/344

D707,672 S * 6/2014 Lai D14/253
D713,398 S * 9/2014 Alesi et al. D14/253
D714,278 S * 9/2014 Case et al. D14/250
2014/0246551 A1 * 9/2014 Springer et al. 248/276.1
2014/0263939 A1 * 9/2014 Rinner 248/688

OTHER PUBLICATIONS

Joby, Griptight, Oct. 2012.

* cited by examiner

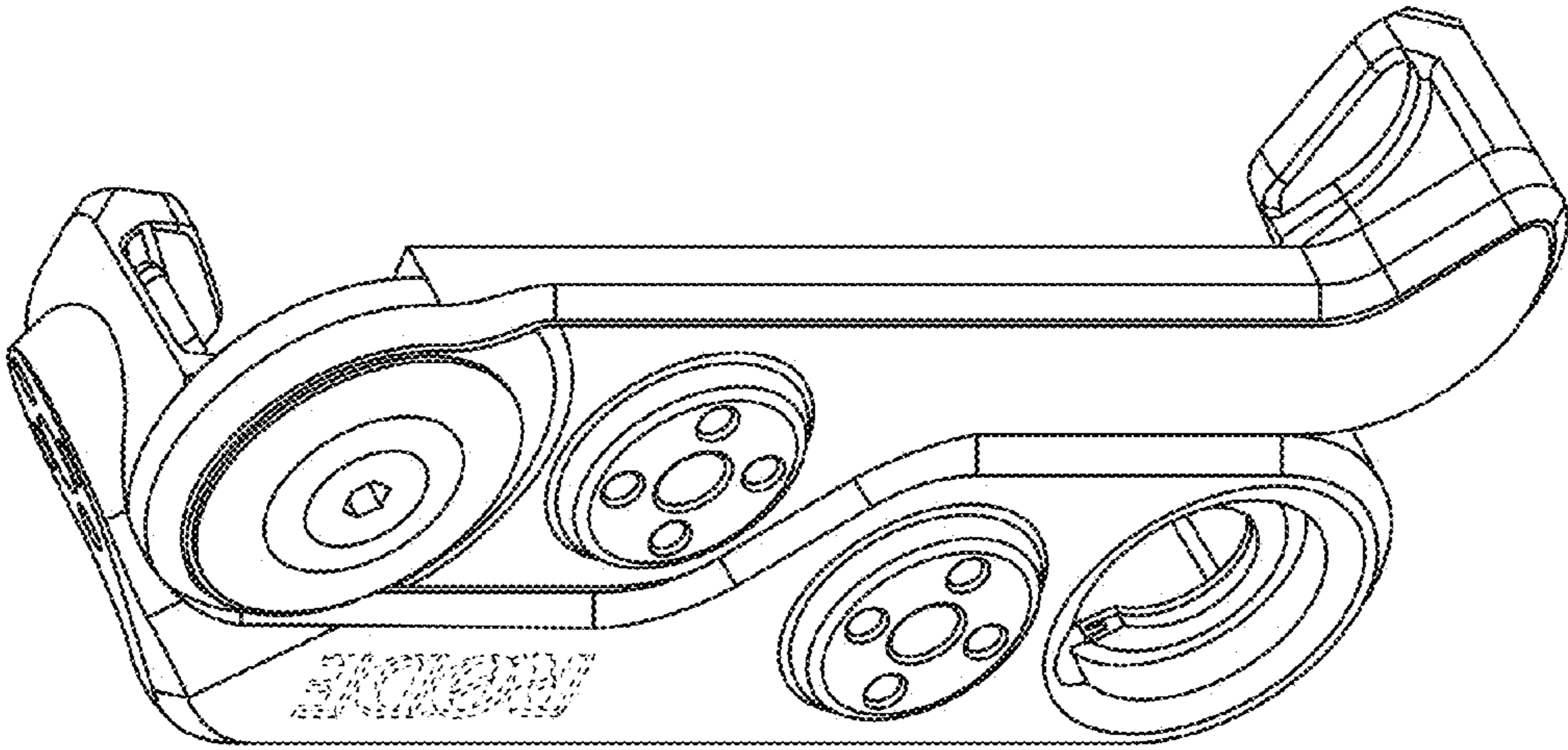


Fig. 1

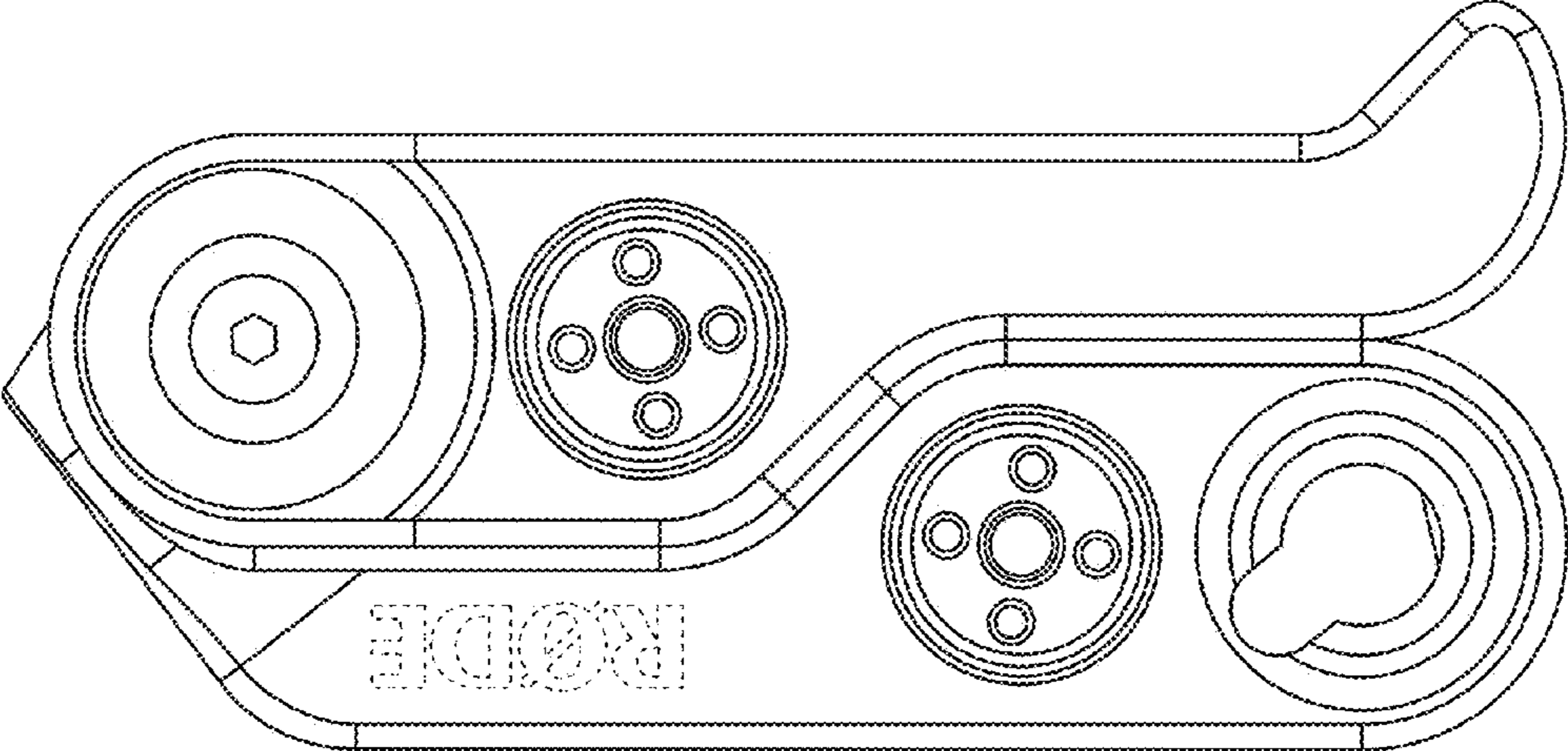


Fig. 2

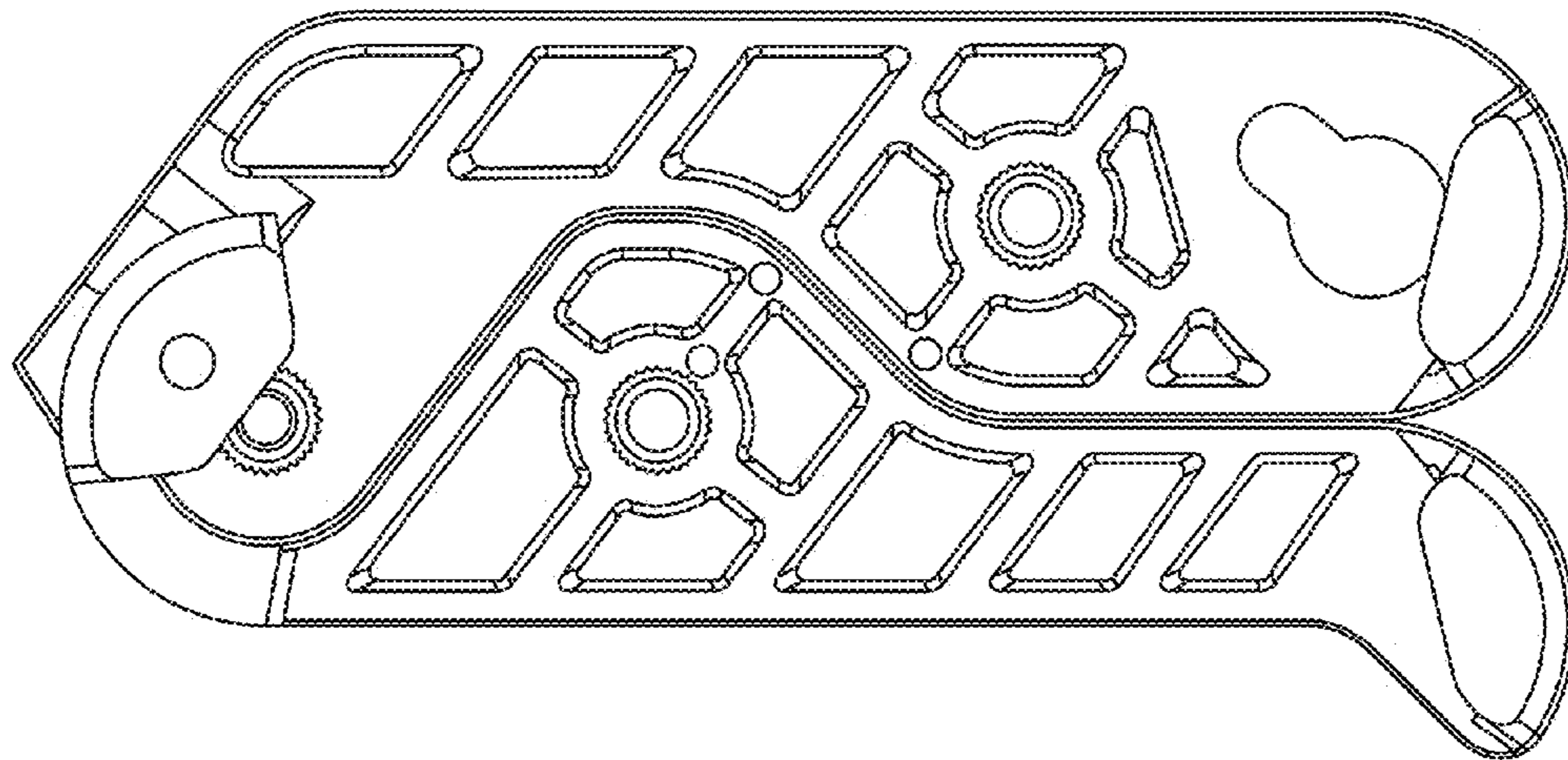


Fig. 3

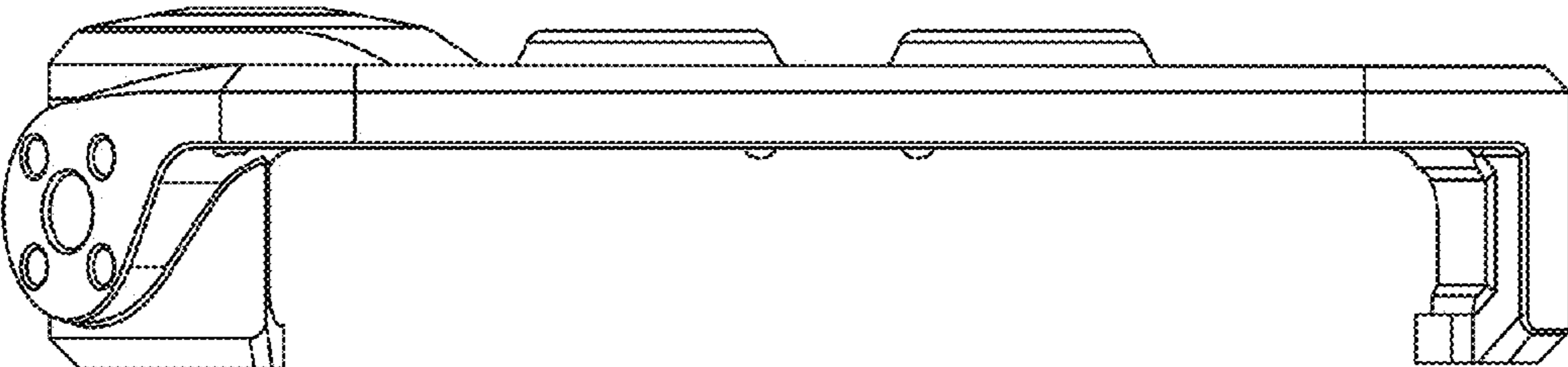


Fig. 4

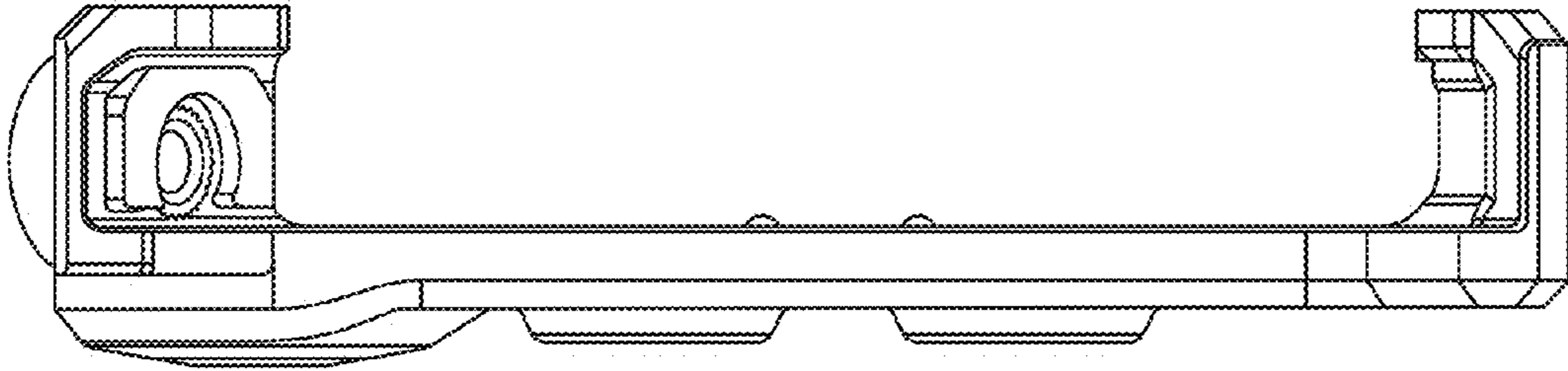


Fig. 5

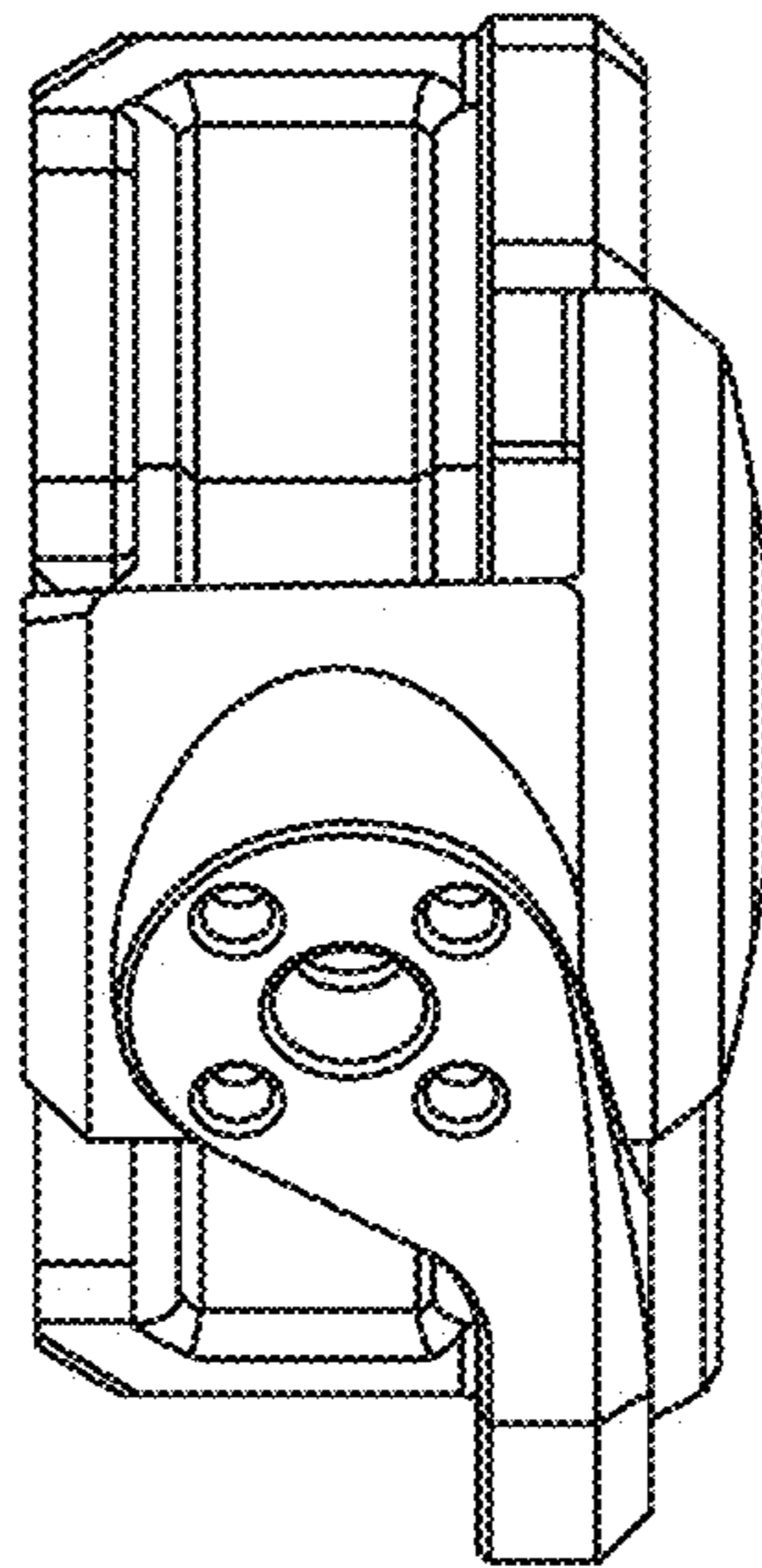


Fig. 6

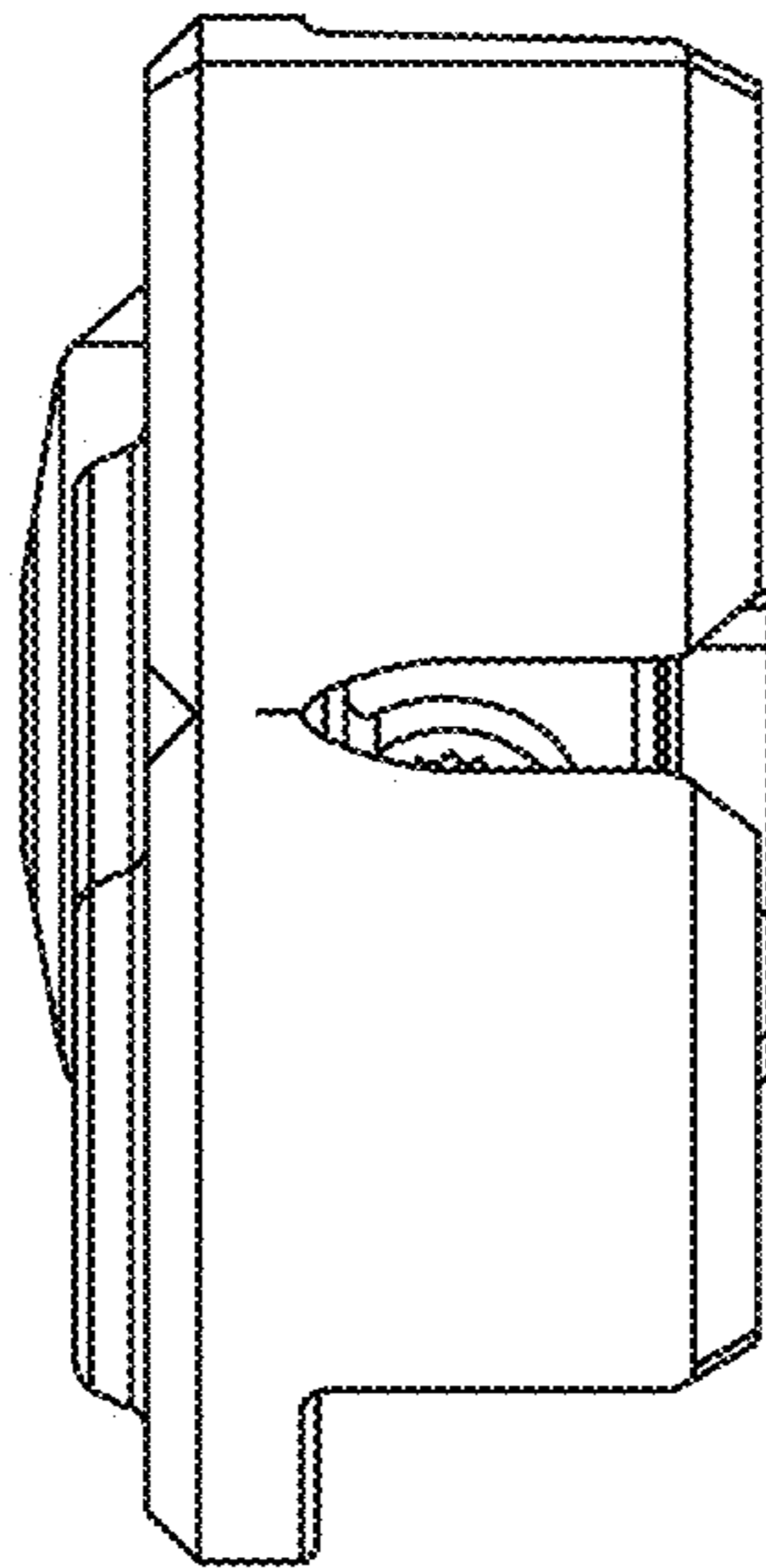


Fig. 7

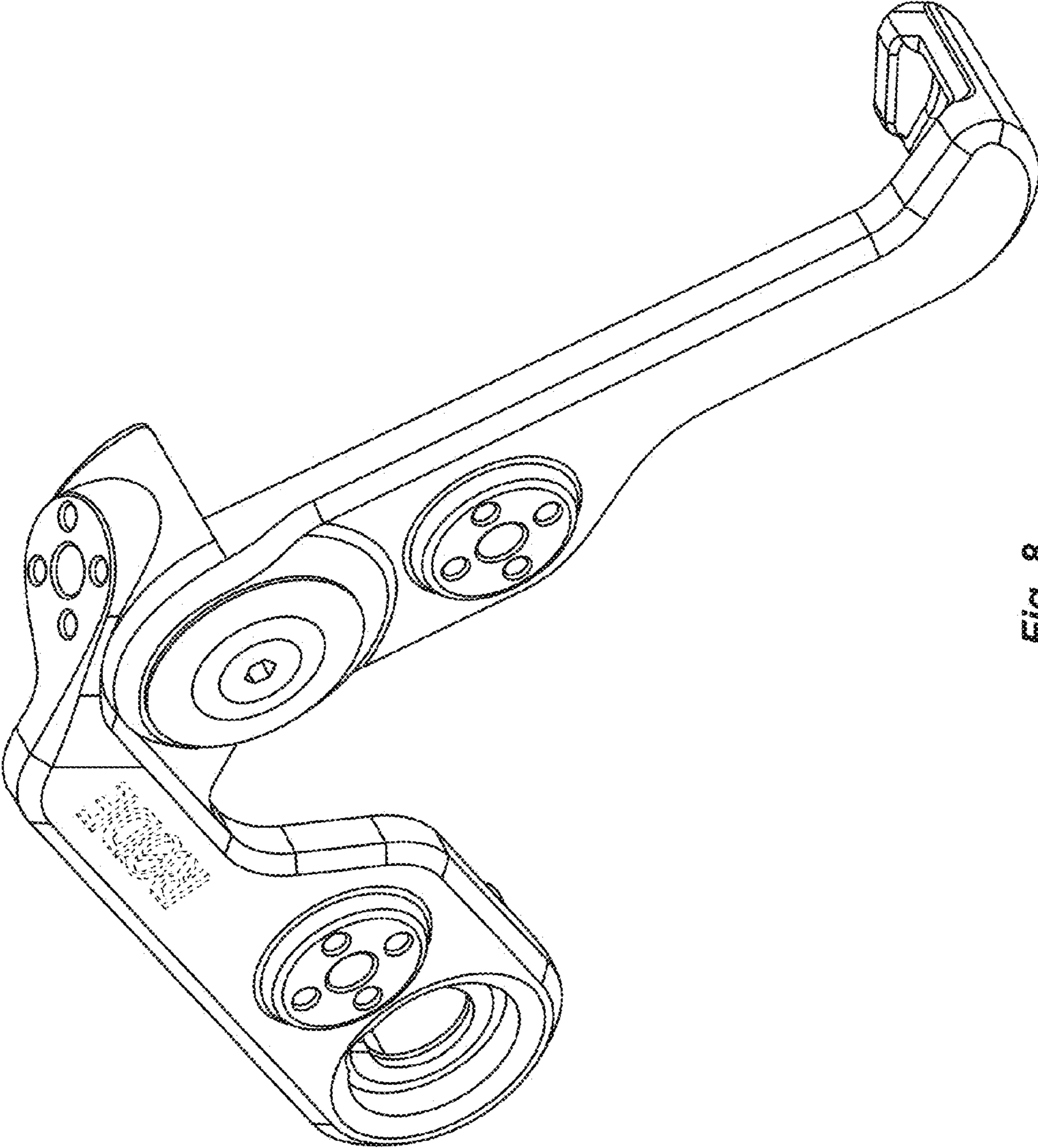


Fig. 8

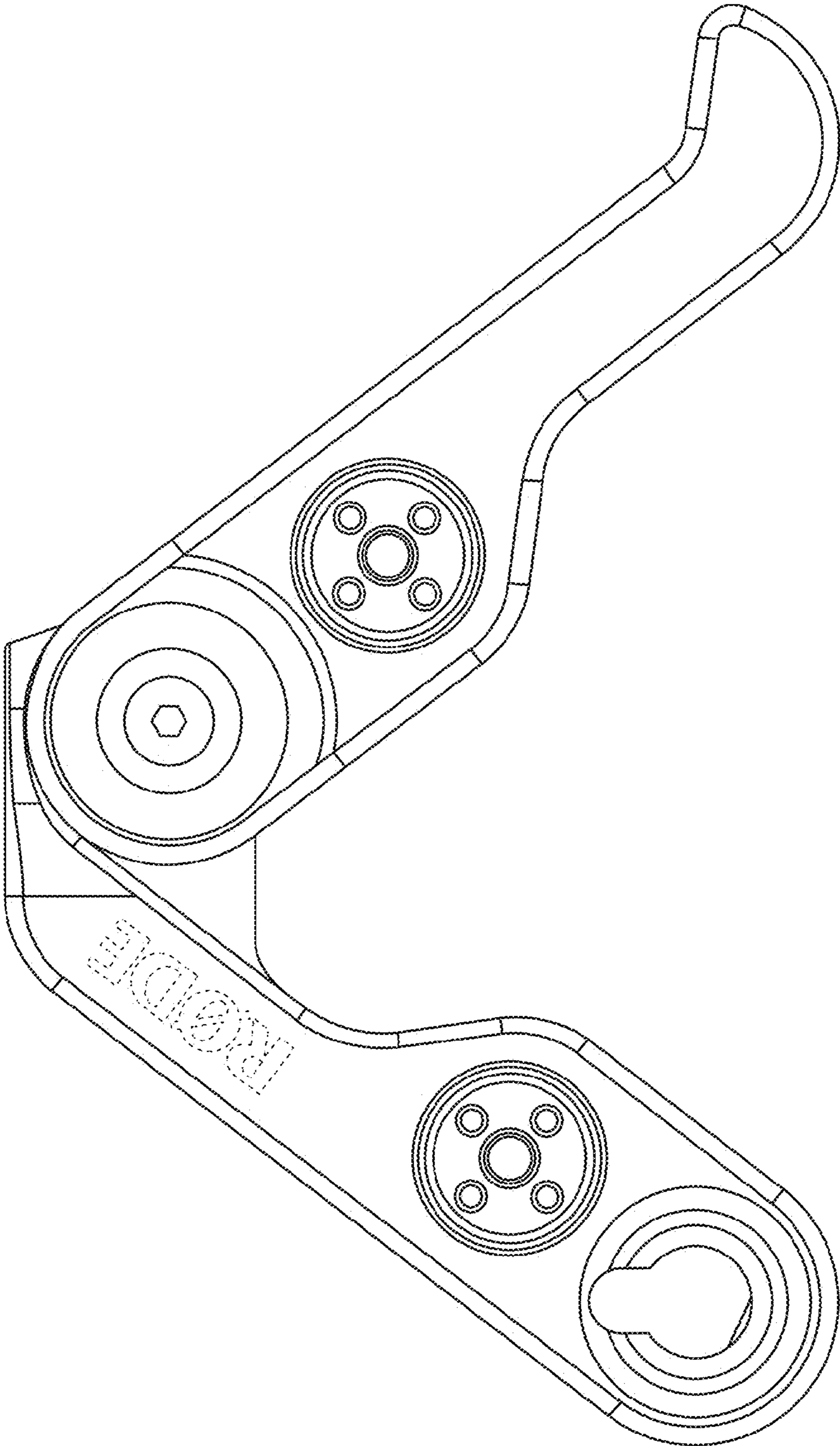


Fig. 9

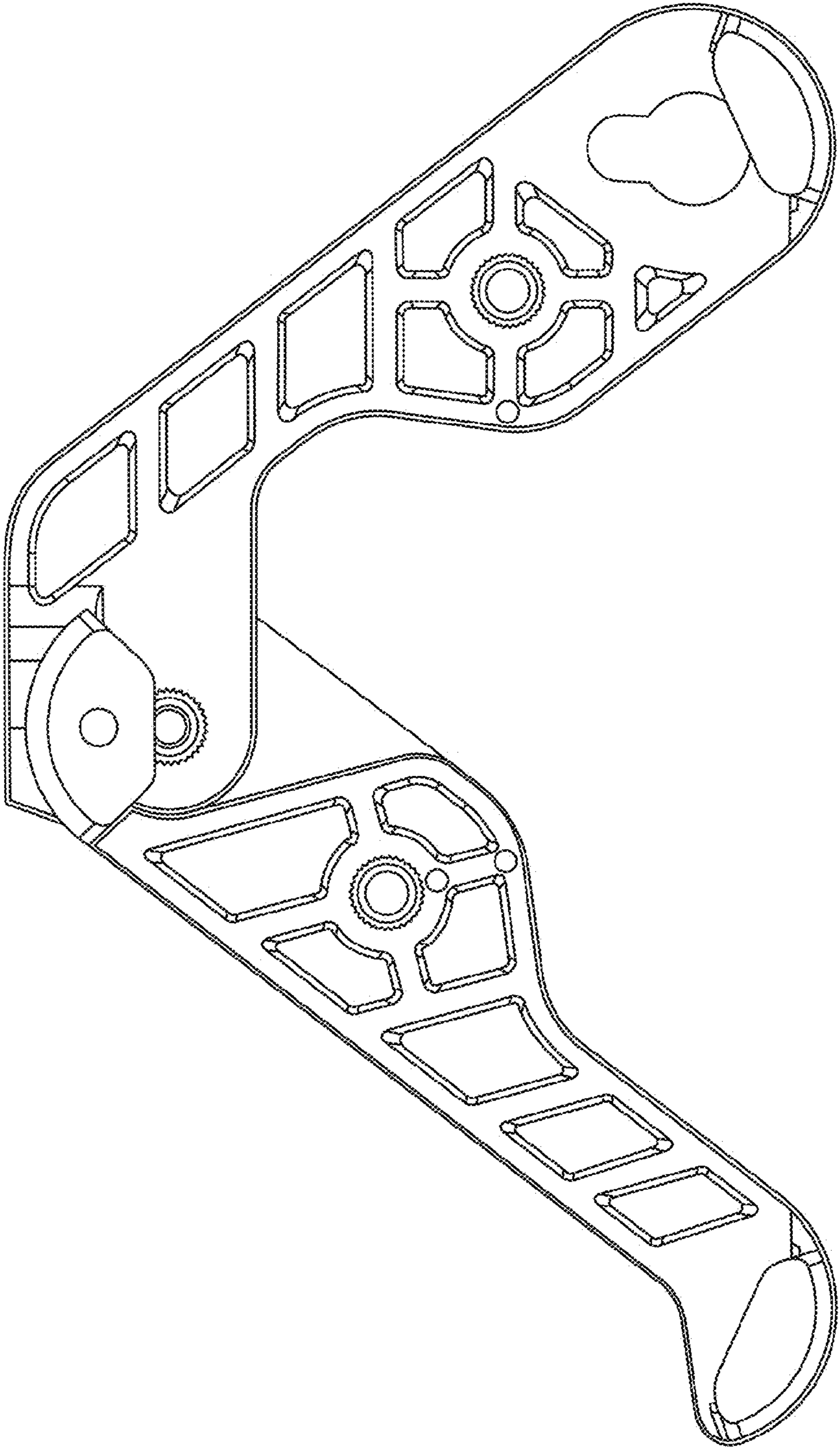


Fig. 10

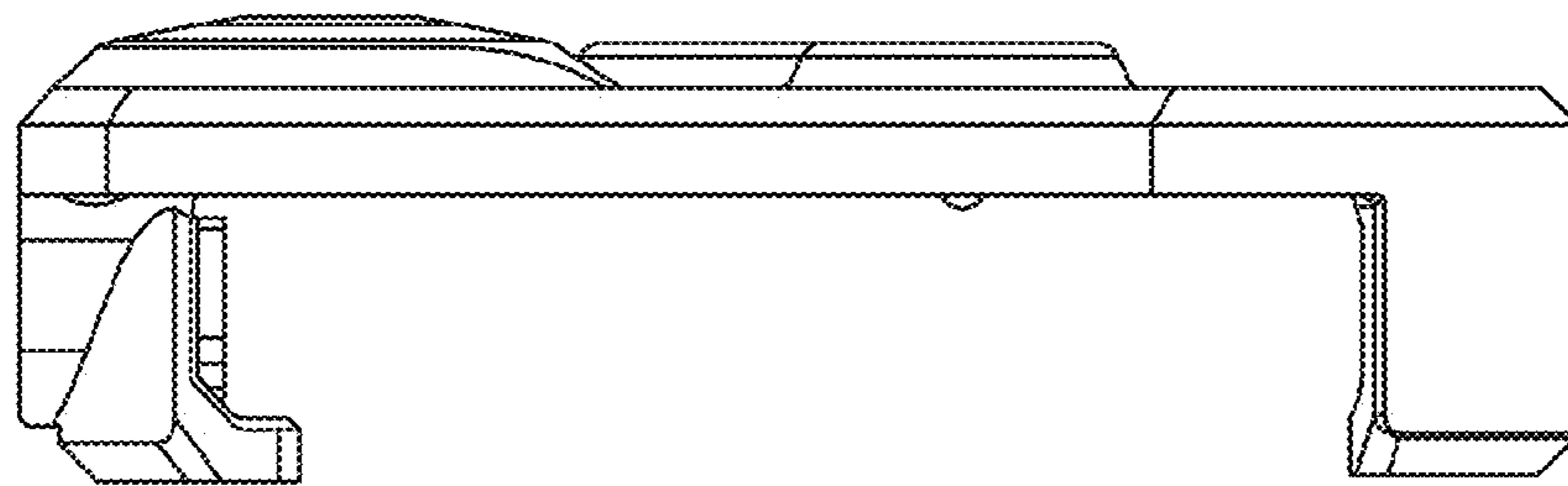


Fig. 11

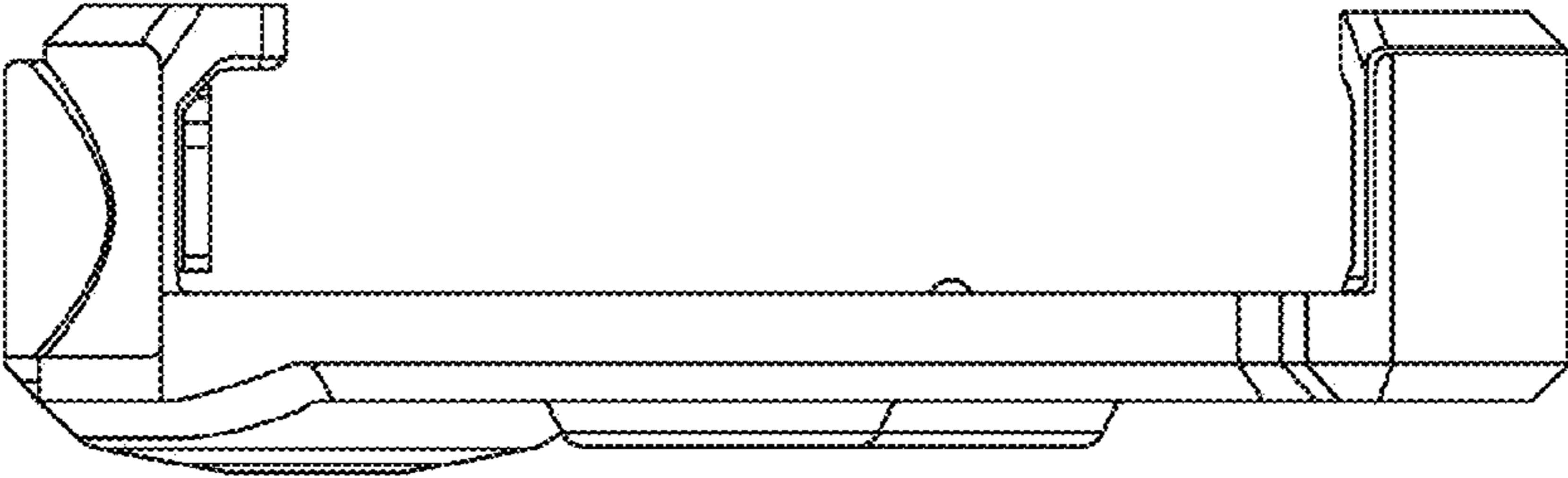


Fig. 12

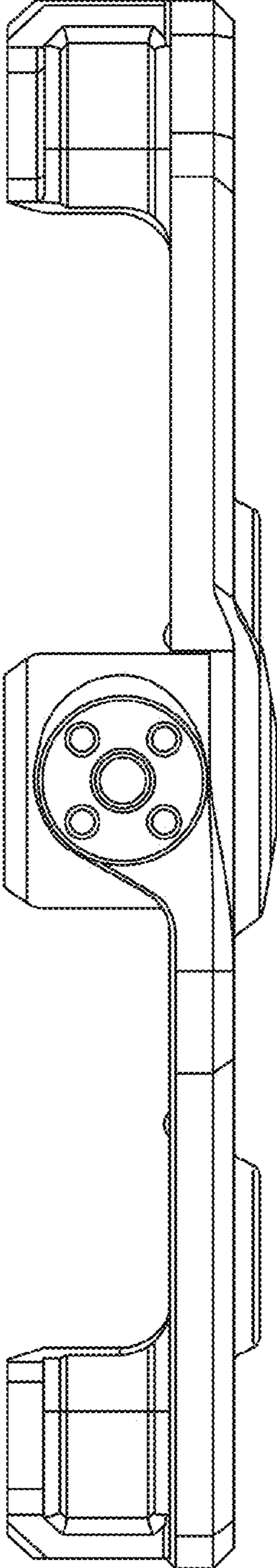


Fig. 13

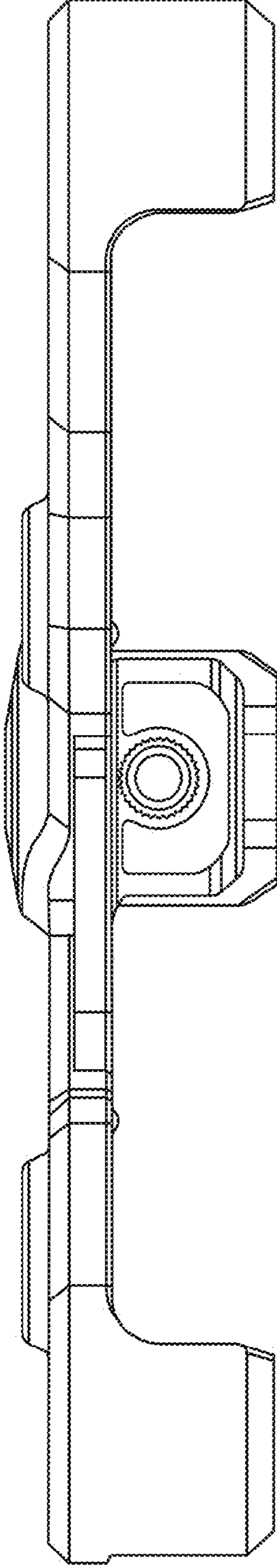


Fig. 14