



US00D751054S

(12) **United States Design Patent**
Chou et al.

(10) **Patent No.:** **US D751,054 S**
(45) **Date of Patent:** **** Mar. 8, 2016**

(54) **ACTIVE ANTENNA**

FOREIGN PATENT DOCUMENTS

(71) Applicant: **Tatung Technology Inc.**, Taipei (TW)

CN 300812995 * 8/2008

(72) Inventors: **Wen Pu Chou**, Taipei (TW);
Chun-Cheng Chen, Taipei (TW); **I-Shun Chang**, Taipei (TW)

CN 301048834 * 10/2009

CN 301112269 * 1/2010

(73) Assignee: **TATUNG TECHNOLOGY INC.**,
Taipei (TW)

OTHER PUBLICATIONS

(**) Term: **14 Years**

Amazon.com: GE 12940 HDTV/VHF/UHF 1080p Enhanced Universal Indoor TV Antenna, review date Apr. 3, 2015, online, <http://www.amazon.com/GE-12940-Enhanced-Universal-Antenna/dp/B00TPX24DO/ref=...>, site visited Nov. 24, 2015.*

(21) Appl. No.: **29/495,780**

Amazon.com: Zenith VN1ANTP1 Indoor Passive VHF/UHF Antenna: Electronics, review date Mar. 18, 2011, online, <http://www.amazon.com/Zenith-VN1ANTP1-Indoor-Passive-Antenna/dp/B003E3029Y/r...>, site visited Nov. 24, 2015.*

(22) Filed: **Jul. 3, 2014**

Amazon.com: Channel Master 4010 Indoor HDTV Antenna, review date Sep. 9, 2014, online, <http://www.amazon.com/Channel-Master-4010-Indoor-Antenna/dp/B000BSFKB0/ref=sr...>, site visited Nov. 24, 2015.*

(51) **LOC (10) Cl.** **14-03**

(52) **U.S. Cl.**

USPC **D14/230**

(58) **Field of Classification Search**

USPC D14/230-238, 299, 358; 343/700 R,
343/733, 747-748, 753

CPC H01Q 7/00; H01Q 13/10; H01Q 9/285;
H01Q 19/30; H01Q 19/12; H01Q 1/38;
H04B 1/0475; H04B 1/034; H05K 11/00

See application file for complete search history.

* cited by examiner

Primary Examiner — John Windmuller

Assistant Examiner — John R Yeh

(74) *Attorney, Agent, or Firm* — Bacon & Thomas, PLLC

(56) **References Cited**

U.S. PATENT DOCUMENTS

| | | | | | |
|--------------|---|---------|------------|-------|------------------------|
| D199,443 S | * | 10/1964 | Singer | | D14/235 |
| D206,484 S | * | 12/1966 | Middlemark | | D14/235 |
| D210,951 S | * | 5/1968 | Middlemark | | D14/235 |
| D238,430 S | * | 1/1976 | Lanson | | D14/235 |
| D345,982 S | * | 4/1994 | Lucey | | D14/230 |
| D357,021 S | * | 4/1995 | Prince | | D14/235 |
| D378,368 S | * | 3/1997 | McGreevy | | D14/137 |
| D421,610 S | * | 3/2000 | Ghalebi | | D14/230 |
| D480,713 S | * | 10/2003 | Wang | | D14/235 |
| D480,714 S | * | 10/2003 | Wang | | D14/235 |
| D501,468 S | * | 2/2005 | Wang | | D14/235 |
| 6,917,793 B2 | * | 7/2005 | Wang | | H01Q 1/1264 343/745 |
| 8,736,500 B1 | * | 5/2014 | Lam | | H01P 5/10 343/726 |

(57)

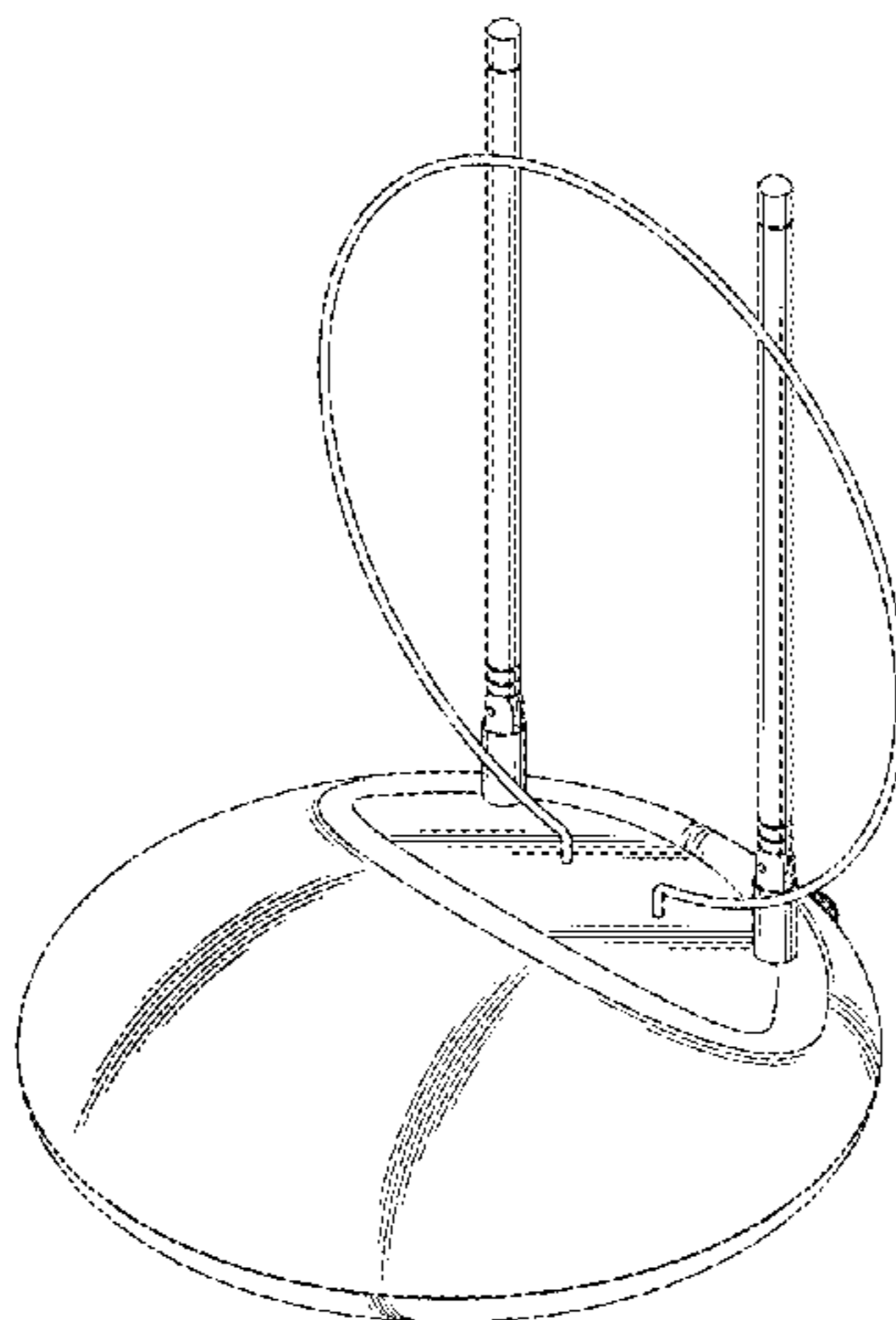
CLAIM

The ornamental design for the active antenna, as shown and described.

DESCRIPTION

FIG. 1 is a top, front, and right perspective view of an active antenna showing our new design; FIG. 2 is a front side view thereof; FIG. 3 is a rear side view thereof; FIG. 4 is a left side view thereof; FIG. 5 is a right side view thereof; FIG. 6 is a top plan view thereof; and, FIG. 7 is a bottom plan view thereof.

1 Claim, 7 Drawing Sheets



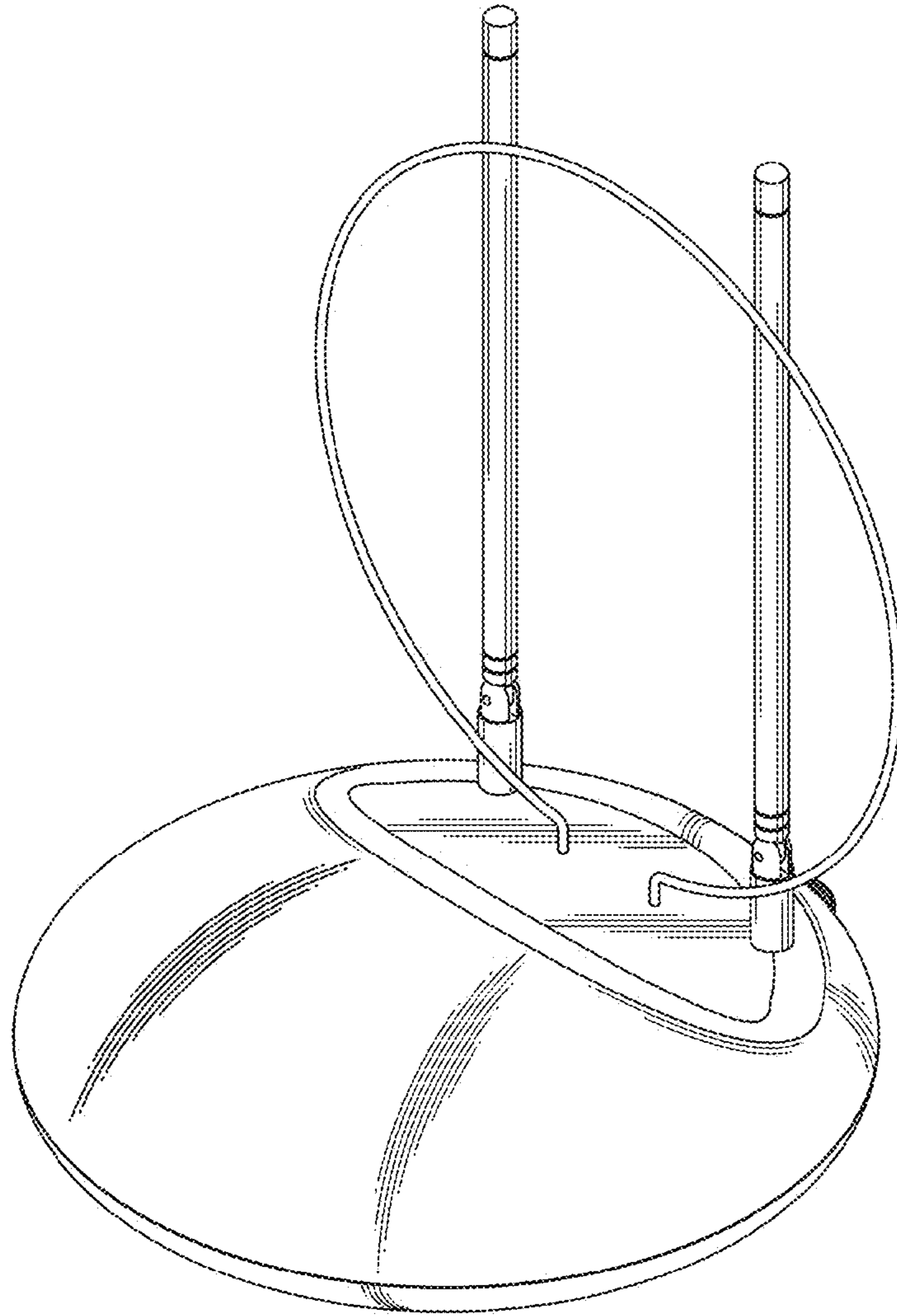


FIG. 1

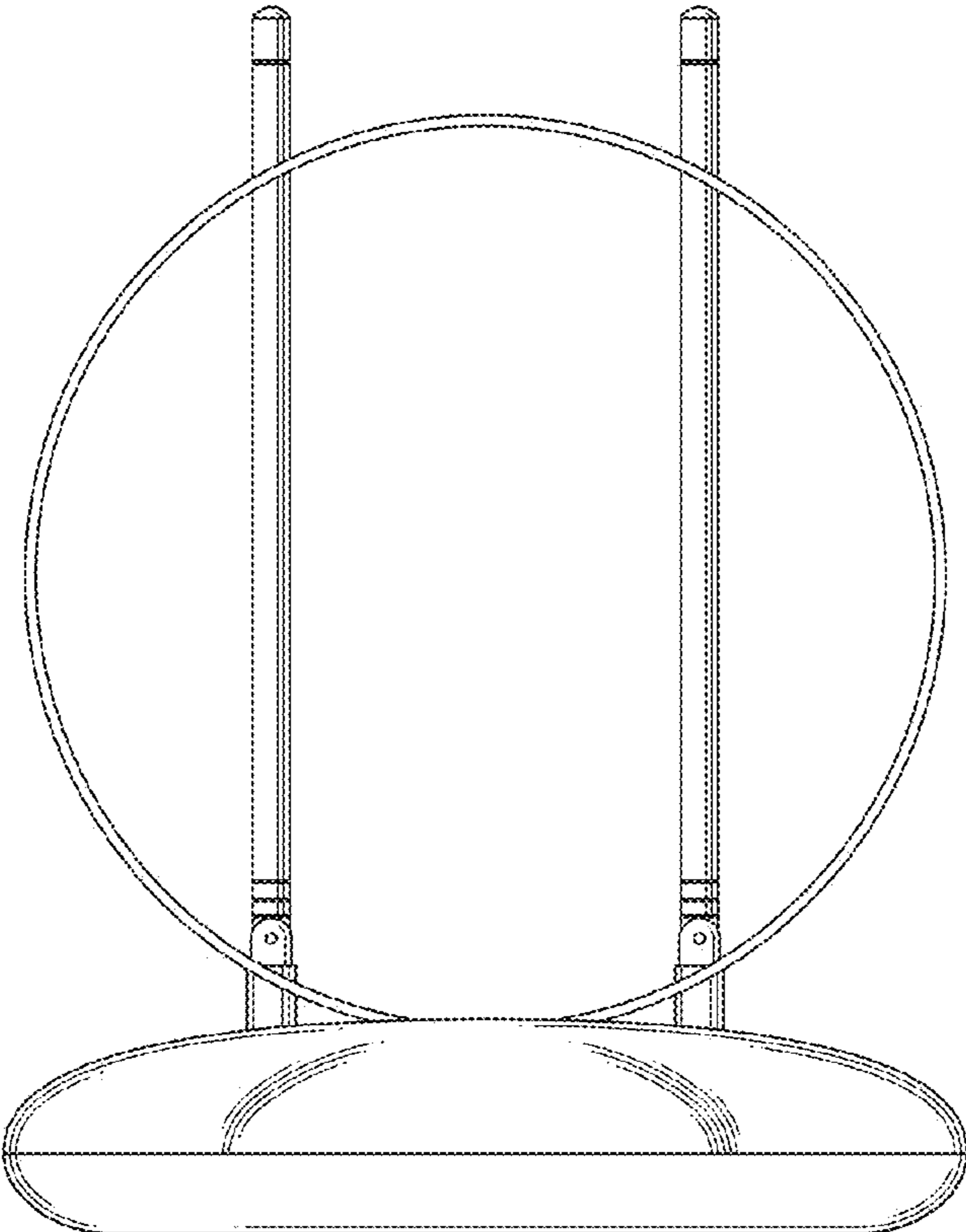


FIG. 2

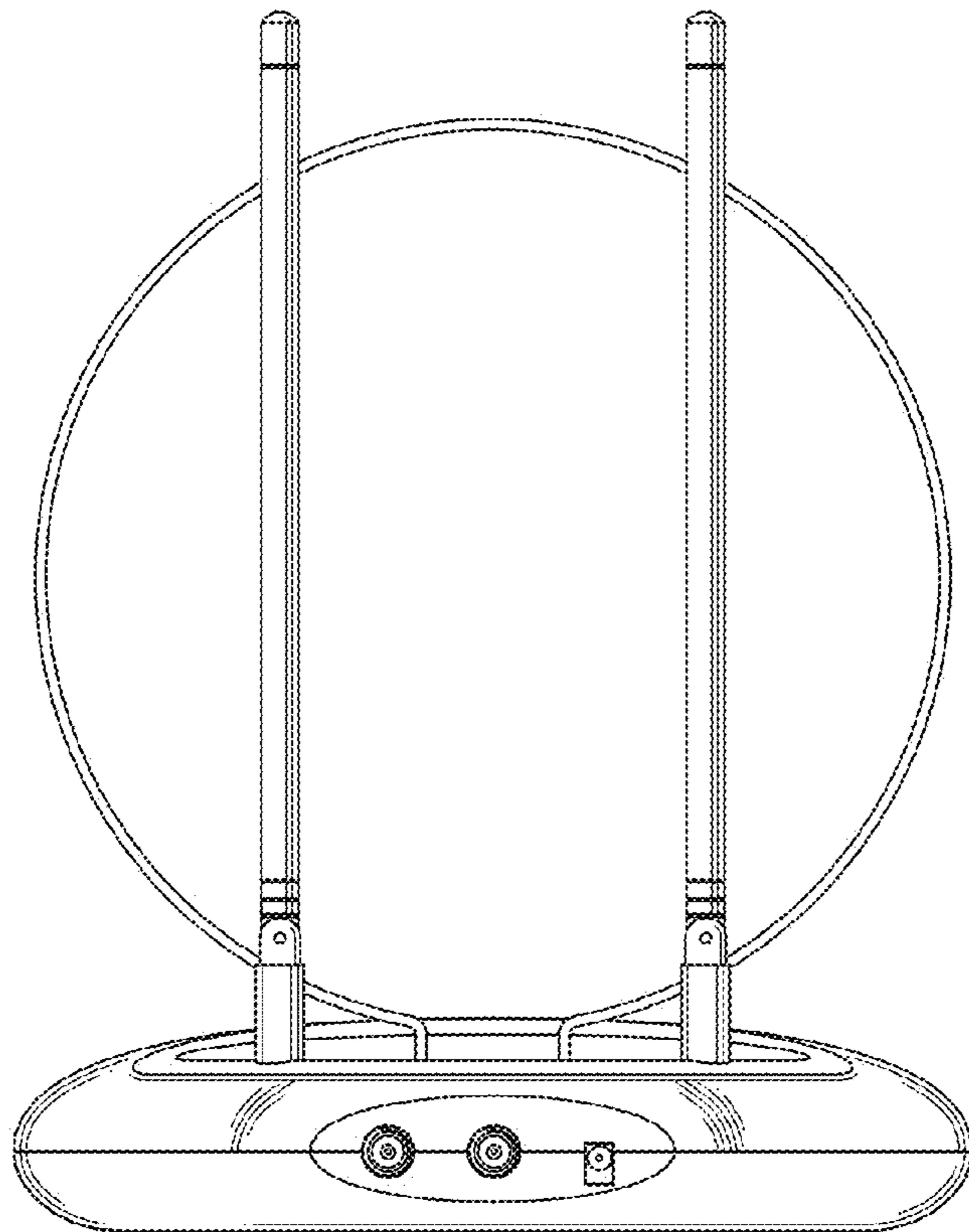


FIG. 3

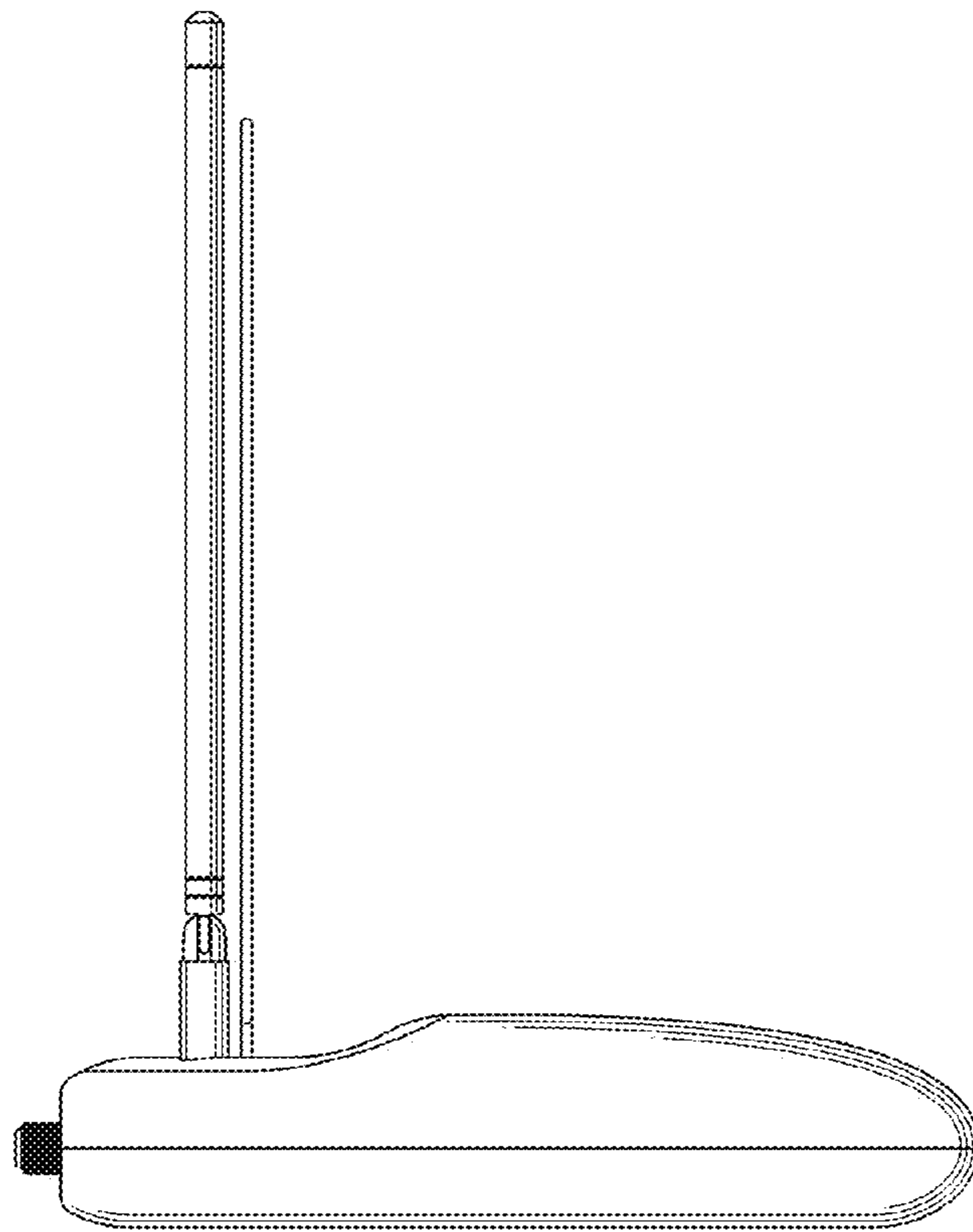


FIG. 4

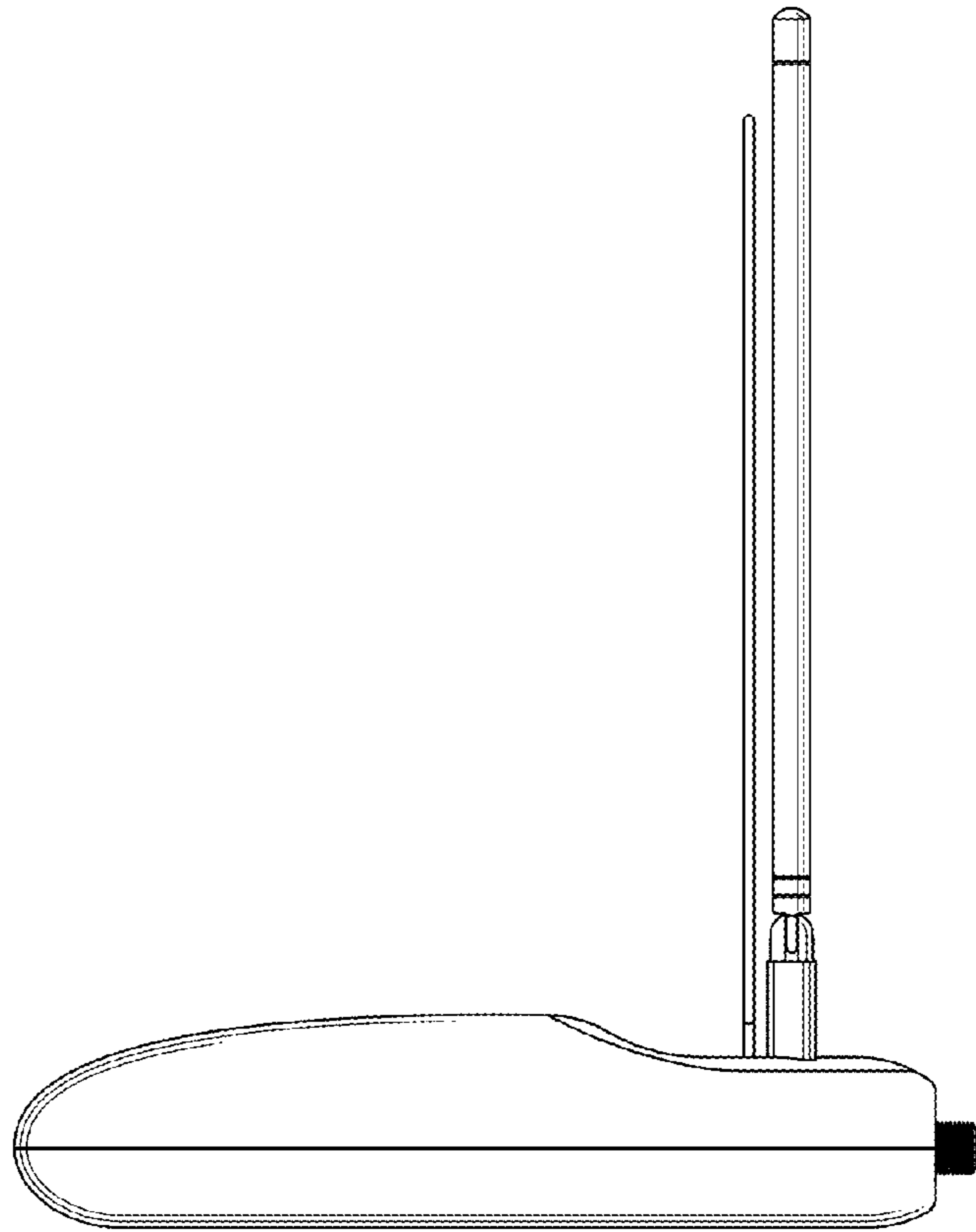


FIG. 5

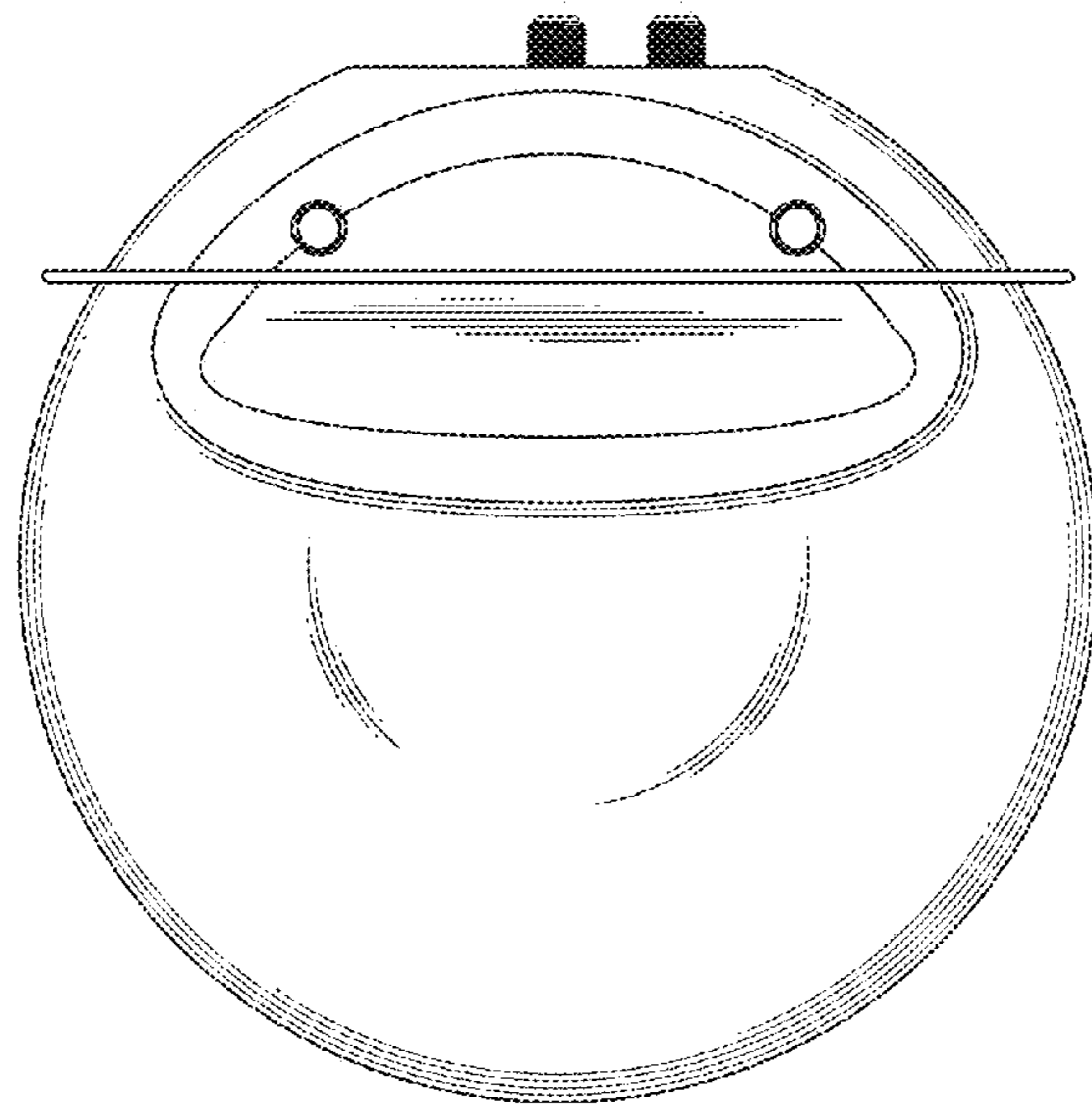


FIG. 6

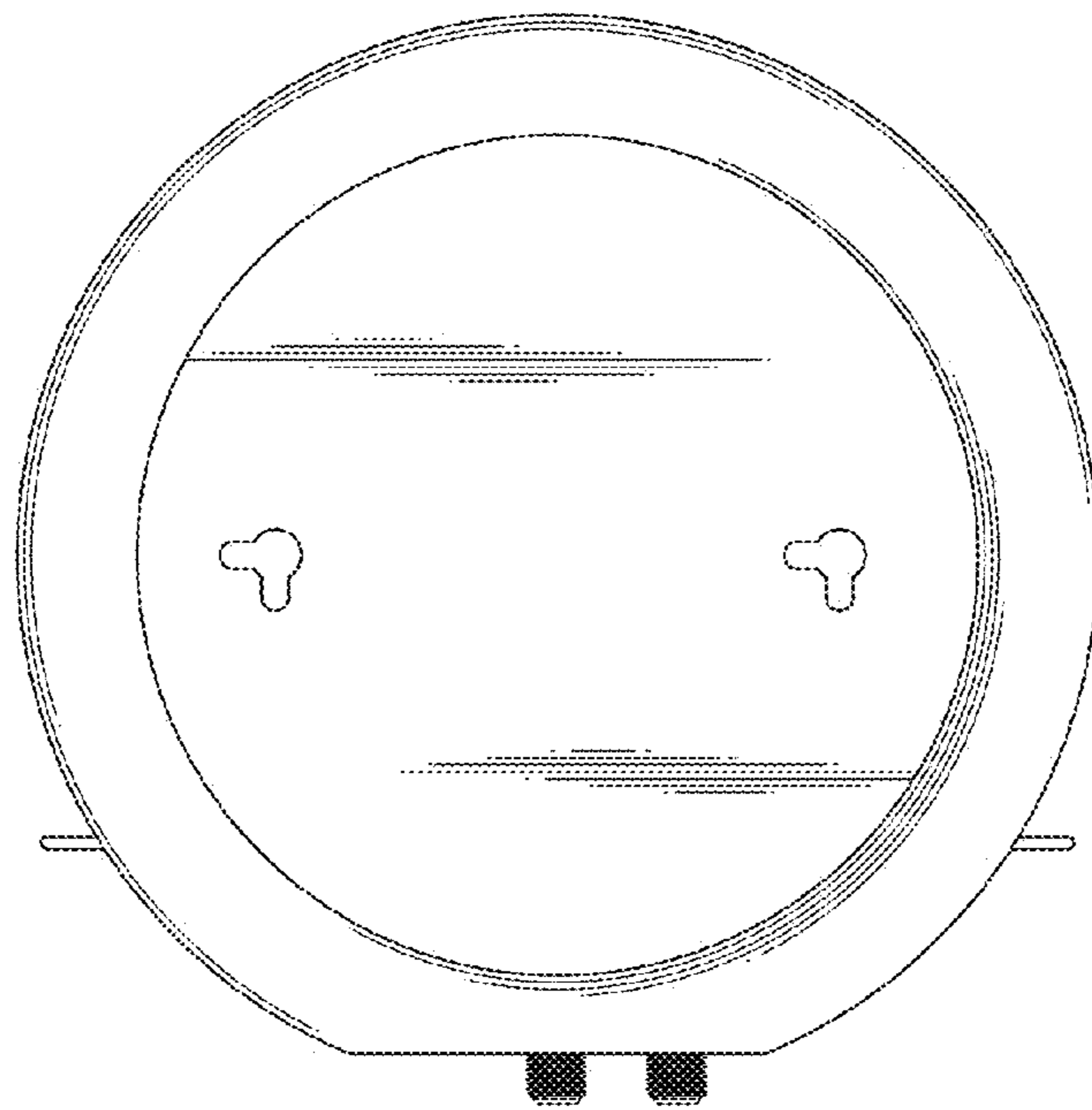


FIG. 7