



US00D751053S

(12) **United States Design Patent**
Shin et al.

(10) **Patent No.:** **US D751,053 S**
(45) **Date of Patent:** **** Mar. 8, 2016**

(54) **EARPHONE**
(71) Applicant: **LG ELECTRONICS INC.**, Seoul (KR)
(72) Inventors: **Daekee Shin**, Seoul (KR); **Kyusuh Park**, Seoul (KR); **Jaehoem Im**, Seoul (KR)
(73) Assignee: **LG Electronics Inc.**, Seoul (KR)
(**) Term: **14 Years**
(21) Appl. No.: **29/518,422**
(22) Filed: **Feb. 24, 2015**

(30) **Foreign Application Priority Data**
Sep. 11, 2014 (KR) 30-2014-0044049
(51) **LOC (10) Cl.** **14-01**
(52) **U.S. Cl.**
USPC **D14/205**
(58) **Field of Classification Search**
USPC D14/205, 223; 181/129, 130, 135;
379/430, 431; 381/380, 381; 455/90.3,
455/575.1; D11/86, 87; 63/37, 38
CPC H04R 1/10
See application file for complete search history.

(56) **References Cited**
U.S. PATENT DOCUMENTS
2,741,067 A * 4/1956 Cox A01K 95/00
43/44.9
D215,217 S * 9/1969 Noyes D14/205
D241,881 S * 10/1976 Peterson D24/106
4,584,718 A * 4/1986 Fuller G11B 33/025
181/149
D449,592 S * 10/2001 Koss D14/223
6,738,487 B1 * 5/2004 Nageno H04R 1/1016
381/312
D526,642 S * 8/2006 Choe D14/205
D569,841 S * 5/2008 Chung D14/205
D572,703 S * 7/2008 Ledbetter D14/205

D576,154 S * 9/2008 Ledbetter D14/223
D578,508 S * 10/2008 Wang D14/206
D594,441 S * 6/2009 Lee D14/205
D605,182 S * 12/2009 Fagnot D14/223
D605,628 S * 12/2009 Ando D14/205
D614,168 S * 4/2010 Rogers D14/206
D648,317 S * 11/2011 Katsuraku D14/205
D652,817 S * 1/2012 Lee D14/205
8,204,268 B2 * 6/2012 Li H04R 1/1041
381/379
D678,251 S * 3/2013 Cantoni D14/223
D678,252 S * 3/2013 Cantoni D14/223
D680,102 S * 4/2013 Chen D14/223
8,731,227 B2 * 5/2014 Hwang H04R 1/1091
181/135
D741,740 S * 10/2015 DiPietro D11/87

* cited by examiner

Primary Examiner — Paula Greene
(74) *Attorney, Agent, or Firm* — Birch, Stewart, Kolasch & Birch, LLP

(57) **CLAIM**
The ornamental design for an earphone, as shown and described.

DESCRIPTION

FIG. 1 is a perspective view of an earphone showing our new design;
FIG. 2 is a front view thereof where the rear view is a mirror image;
FIG. 3 is a left side view thereof;
FIG. 4 is a right side view thereof;
FIG. 5 is a top plan view thereof;
FIG. 6 is a bottom plan view thereof;
FIG. 7 is a part-in enlarged front perspective view of the claimed part; and,
FIG. 8 is a part-in enlarged rear perspective view of the claimed part.
The broken lines depict portions of the earphone that form no part of the claimed design.

1 Claim, 7 Drawing Sheets

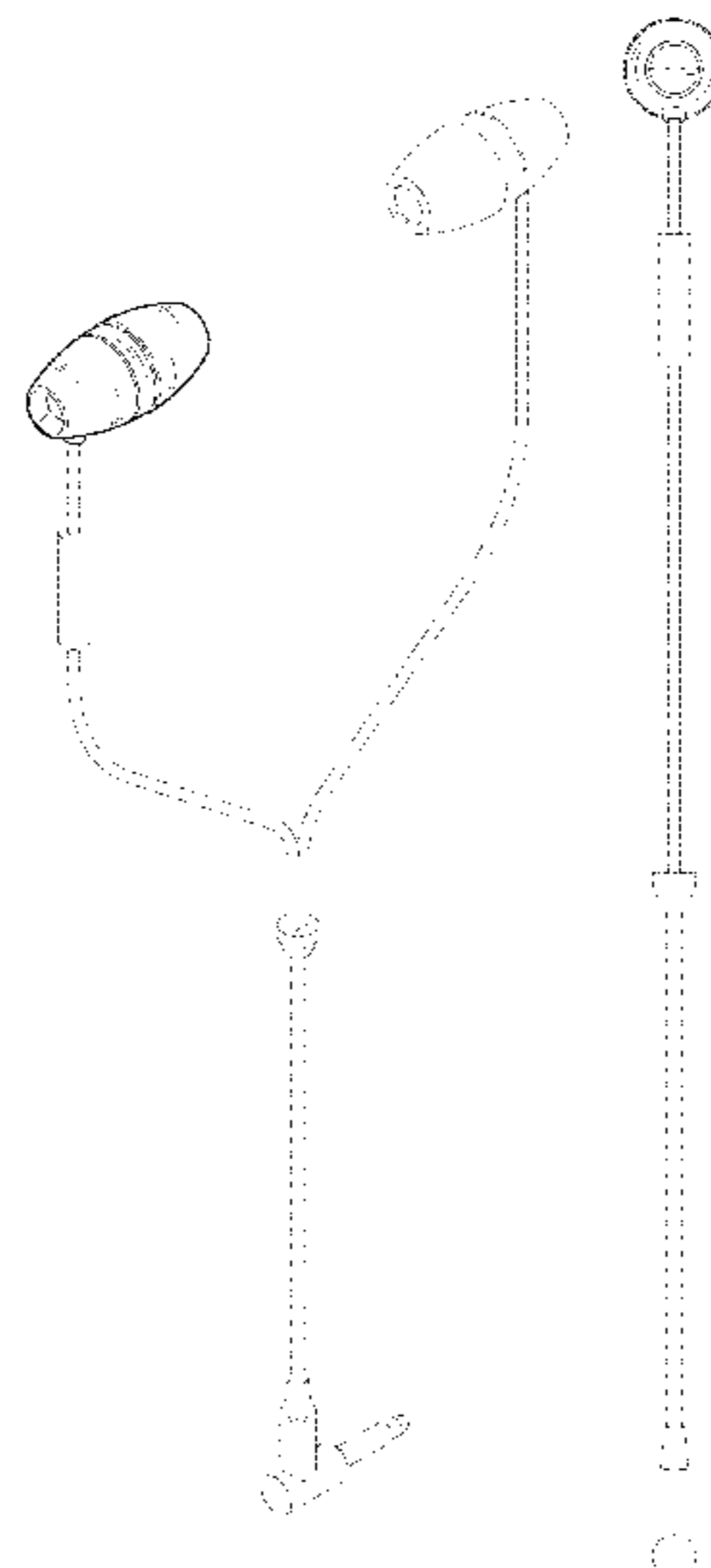


FIG. 1

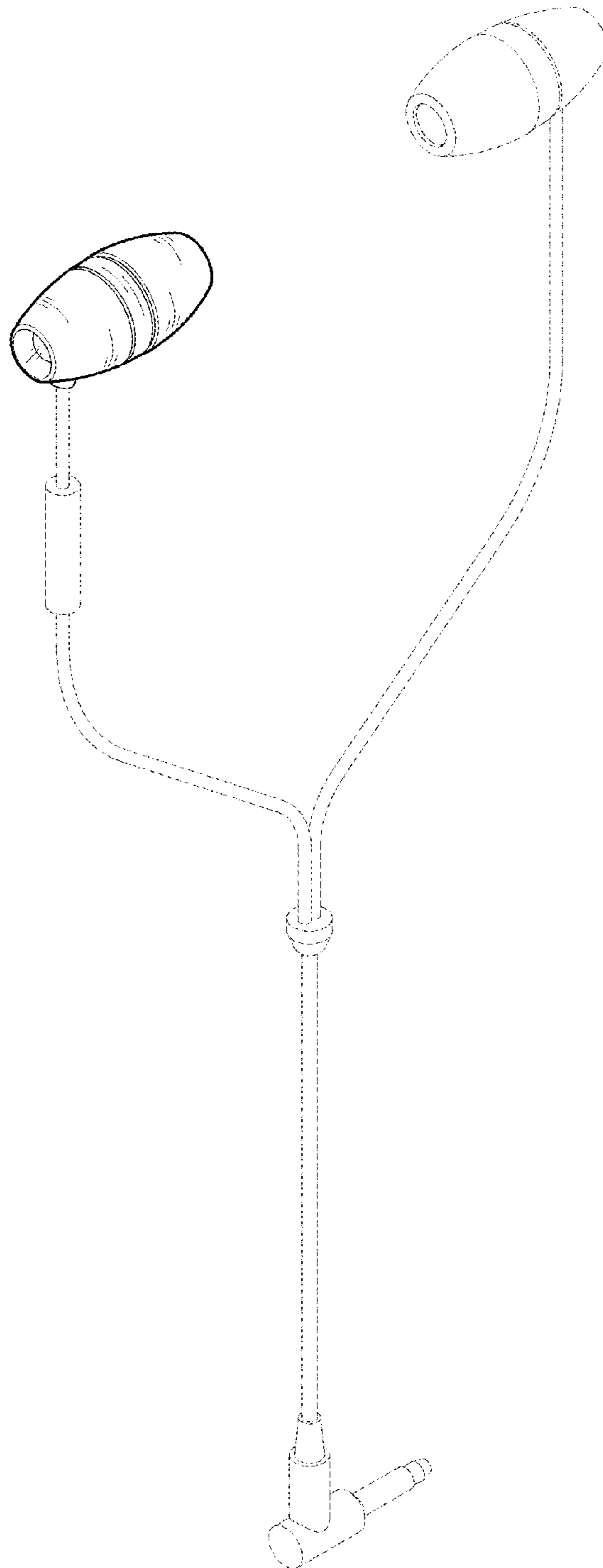


FIG. 2

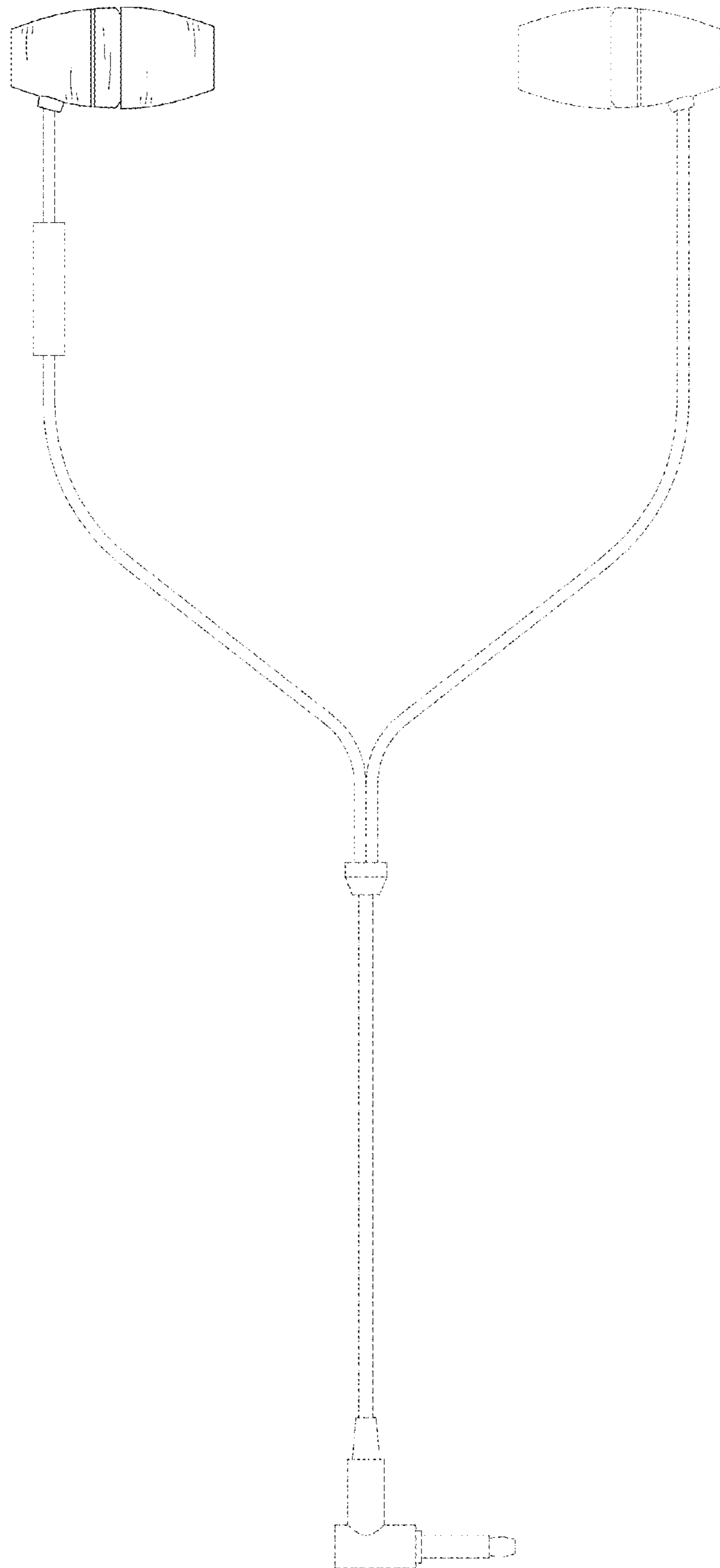


FIG. 3

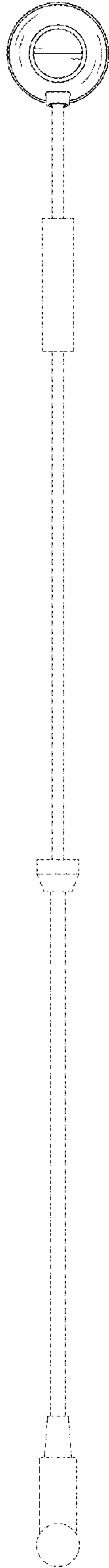


FIG. 4

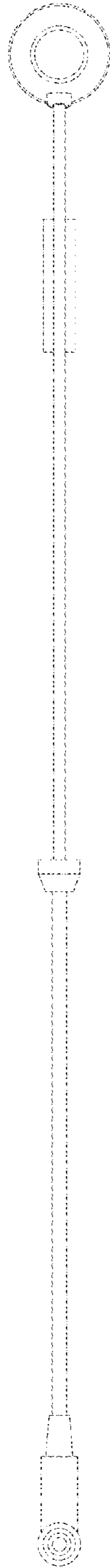


FIG. 5

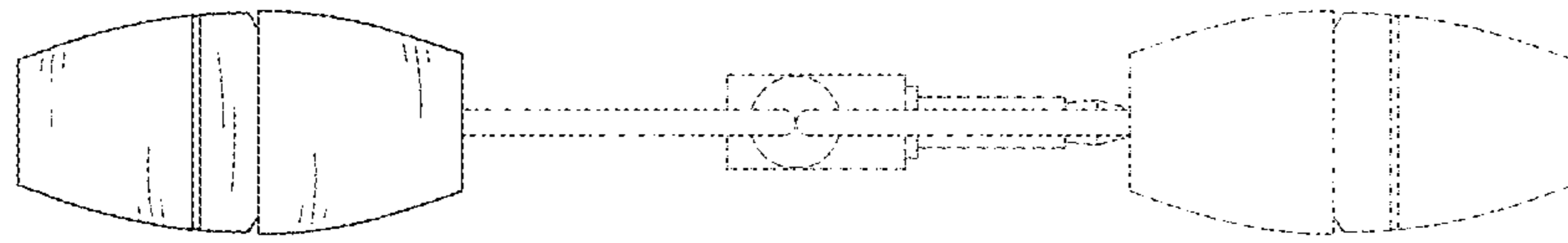


FIG. 6

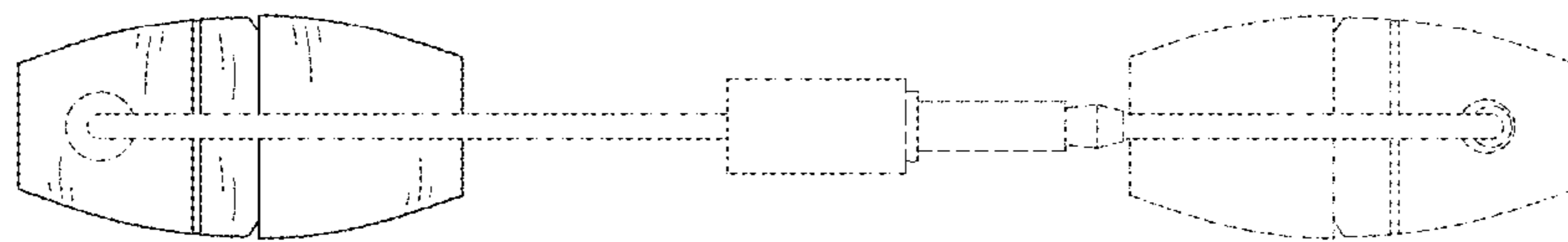


FIG. 7

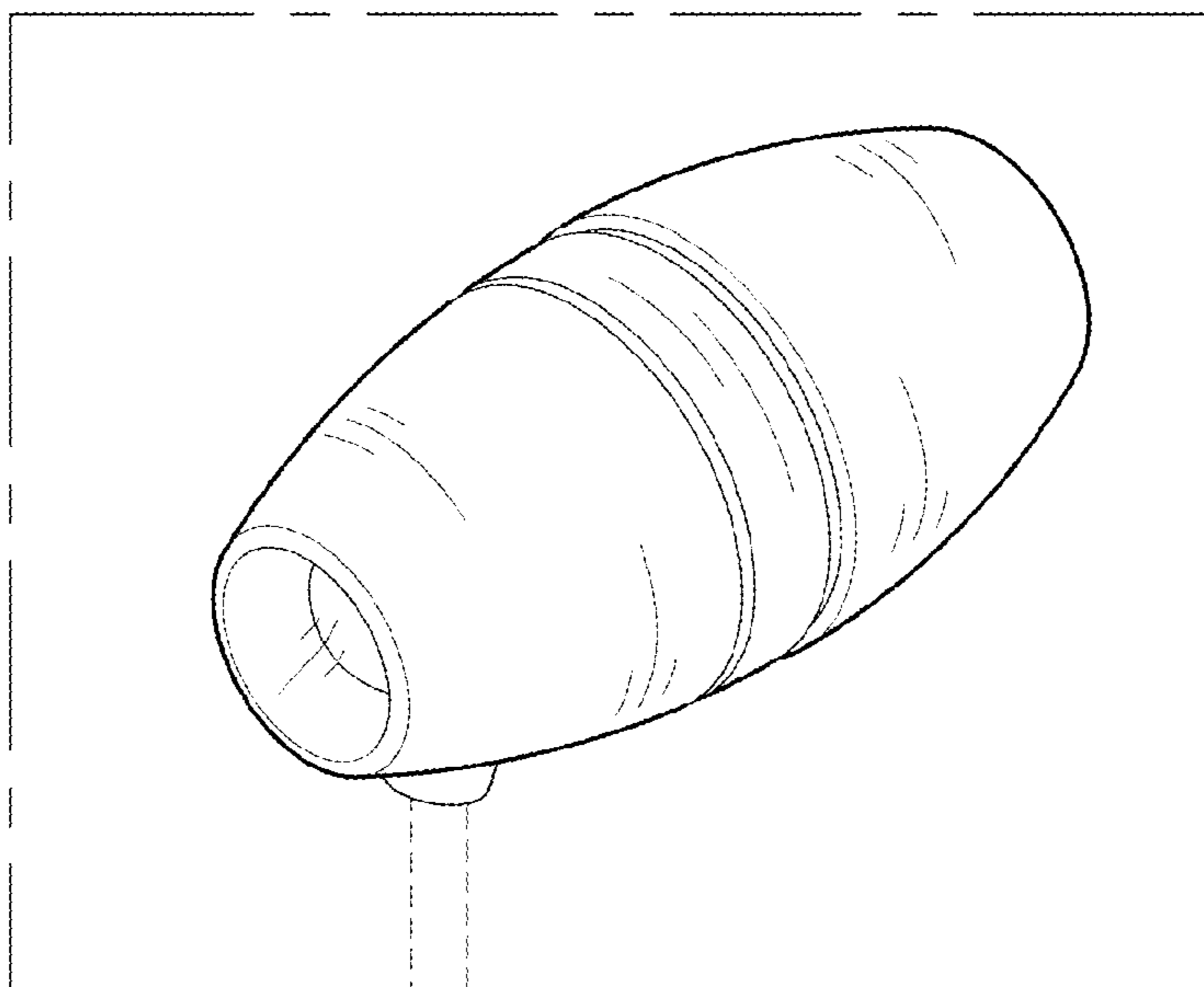


FIG. 8

