



US00D751048S

(12) **United States Design Patent**
Yoon et al.

(10) **Patent No.:** **US D751,048 S**
(45) **Date of Patent:** **** Mar. 8, 2016**

- (54) **TV RECEIVER**
- (71) Applicant: **LG ELECTRONICS INC.**, Seoul (KR)
- (72) Inventors: **Sangwon Yoon**, Seoul (KR); **Junghoon Lee**, Seoul (KR); **Youngkyoung Kim**, Seoul (KR)
- (73) Assignee: **LG Electronics Inc.**, Seoul (KR)
- (**) Term: **14 Years**
- (21) Appl. No.: **29/514,664**
- (22) Filed: **Jan. 15, 2015**

D605,149 S *	12/2009	Kim	D14/126
D618,188 S *	6/2010	Tsai	D14/126
D620,903 S *	8/2010	Song	D14/126
D623,155 S *	9/2010	Kim	D14/126
D691,978 S *	10/2013	Han	D14/126
D701,188 S *	3/2014	Lee	D14/126
D701,500 S *	3/2014	Jeon	D14/239
D708,157 S *	7/2014	Park	D14/126
D708,596 S *	7/2014	Park	D14/126
D717,754 S *	11/2014	Kim	D14/126
D735,685 S *	8/2015	Kim	D14/126
D737,791 S *	9/2015	Han	D14/126
D741,275 S *	10/2015	Huh	D14/126
D744,437 S *	12/2015	Lu	D14/126

- (30) **Foreign Application Priority Data**
- Jul. 16, 2014 (KR) 30-2014-0034936
- (51) **LOC (10) Cl.** **14-03**
- (52) **U.S. Cl.**
- USPC **D14/126**
- (58) **Field of Classification Search**
- USPC D14/125-134, 239, 371, 136, 374-377, D14/440, 450, 448, 336, 342, 159; 312/7.2; 348/836, 838, 180, 184, 325, 739; 248/917-924, 465; 345/104, 133, 156, 345/168, 87, 173; D21/329, 515, 577, 622, D21/333, 433, 448, 452, 450, 331, 505; D10/15, 26; 446/484, 175, 356; D6/477, 479, 300; D20/10, 19, 39
- CPC ... G06F 1/1601; G06F 1/1643; H05K 5/0004; H05K 5/0017; H05K 5/02; H05K 5/0217; H04N 13/0459
- See application file for complete search history.

* cited by examiner

Primary Examiner — Raphael Barkai

(74) *Attorney, Agent, or Firm* — Birch, Stewart, Kolasch & Birch, LLP

(56) **References Cited**

U.S. PATENT DOCUMENTS

D567,201 S *	4/2008	Profit	D14/126
D576,580 S *	9/2008	Olivet	D14/126

(57) **CLAIM**

The ornamental design for a TV receiver, as shown and described.

DESCRIPTION

FIG. 1 is a front, right side, perspective view of a TV receiver showing our new design;
 FIG. 2 is a front view thereof;
 FIG. 3 is a rear view thereof;
 FIG. 4 is a left side view thereof;
 FIG. 5 is a right side view thereof;
 FIG. 6 is a top view thereof; and,
 FIG. 7 is a bottom view thereof.

The broken lines indicate unclaimed portion of the article that form no part of the claimed design.

1 Claim, 6 Drawing Sheets

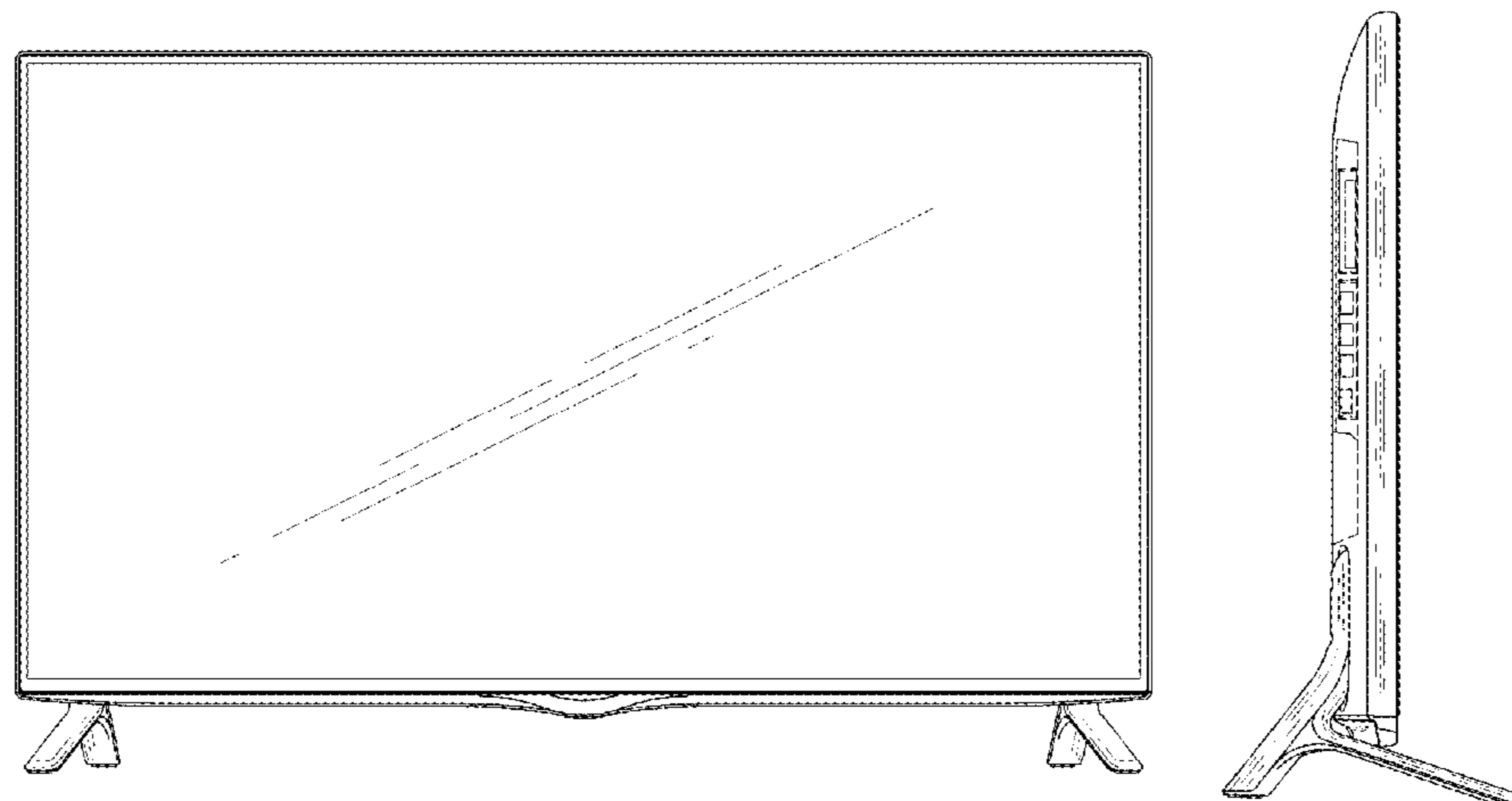


FIG. 1

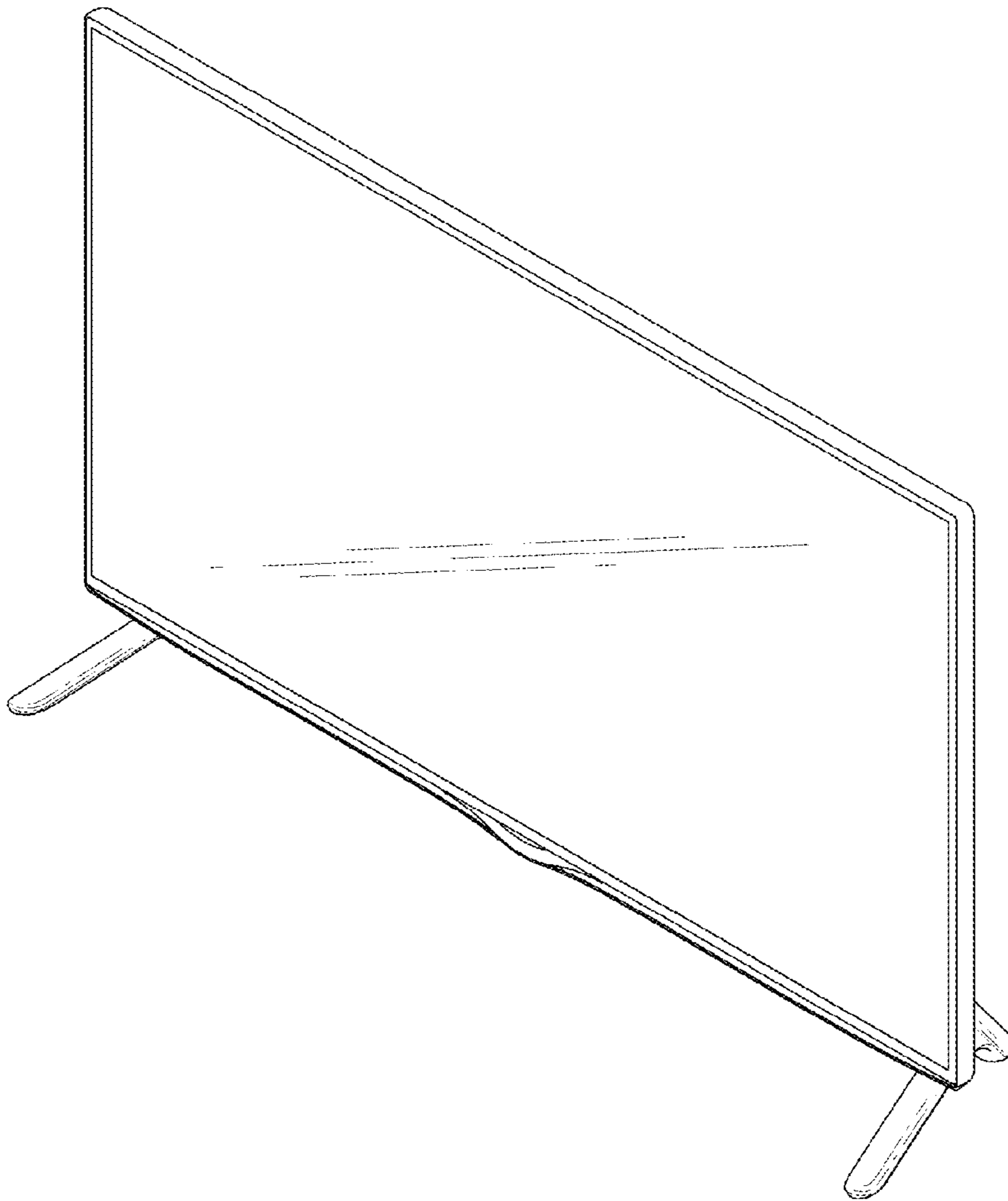


FIG. 2

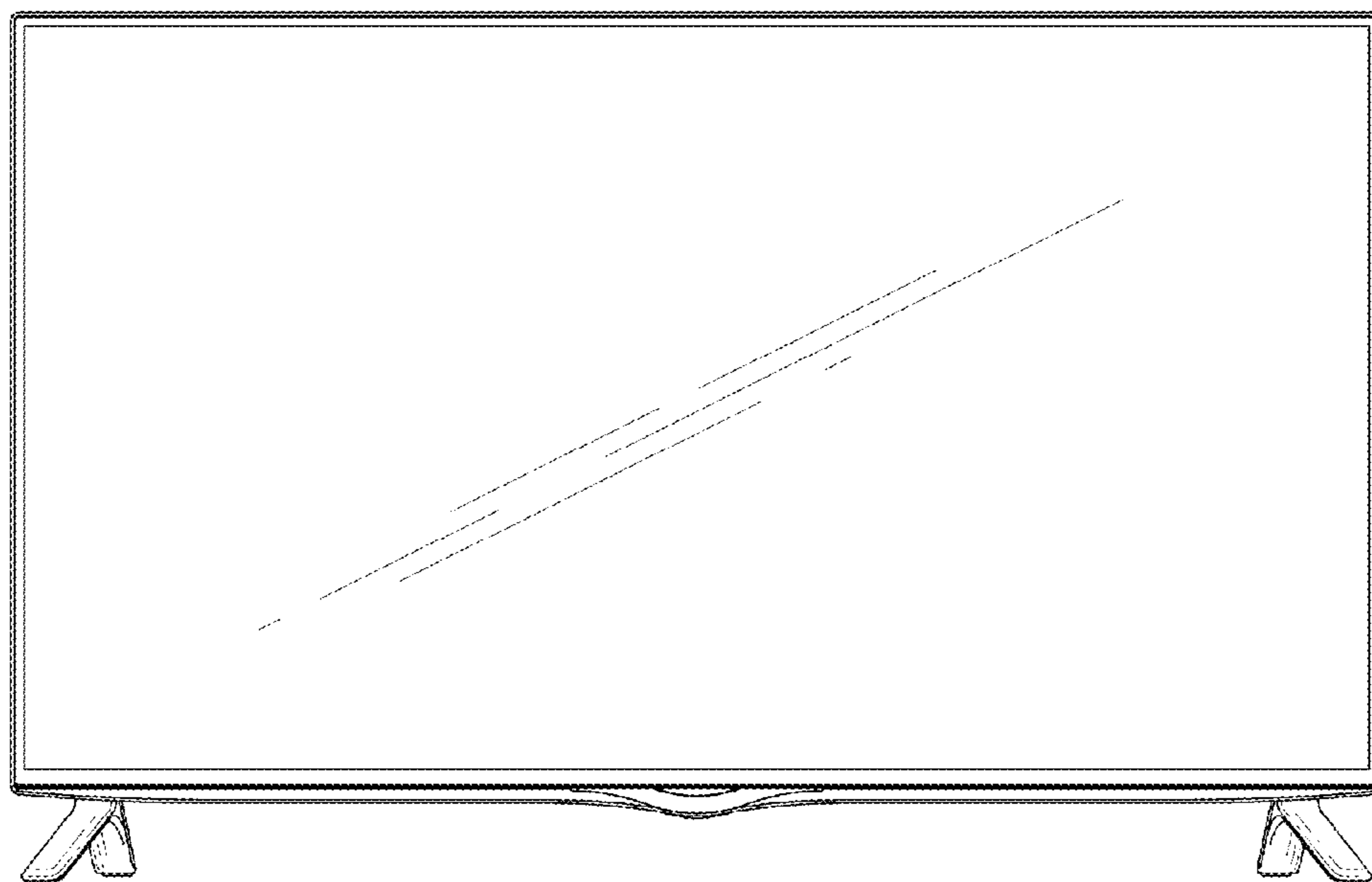


FIG. 3

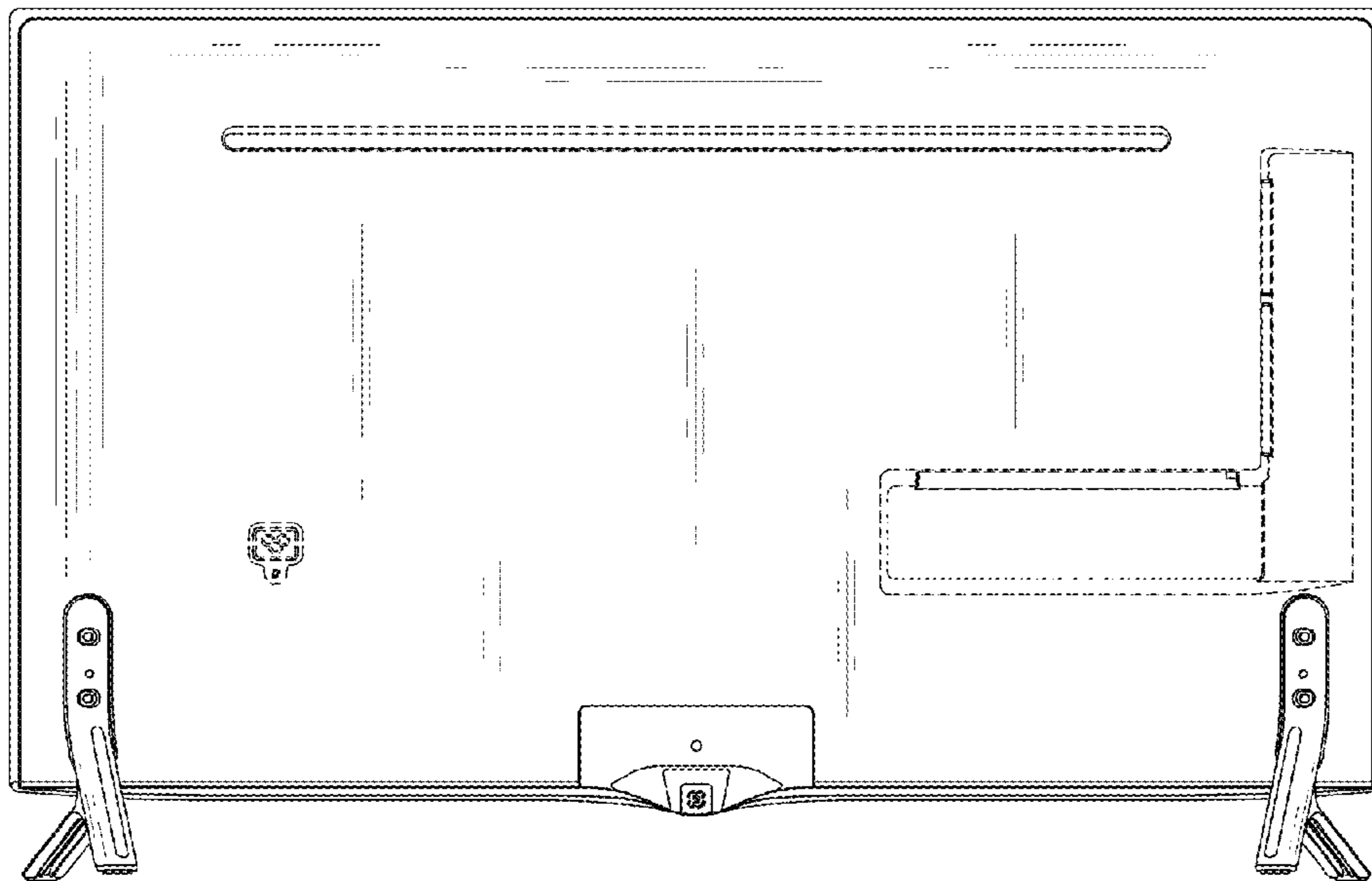


FIG. 4

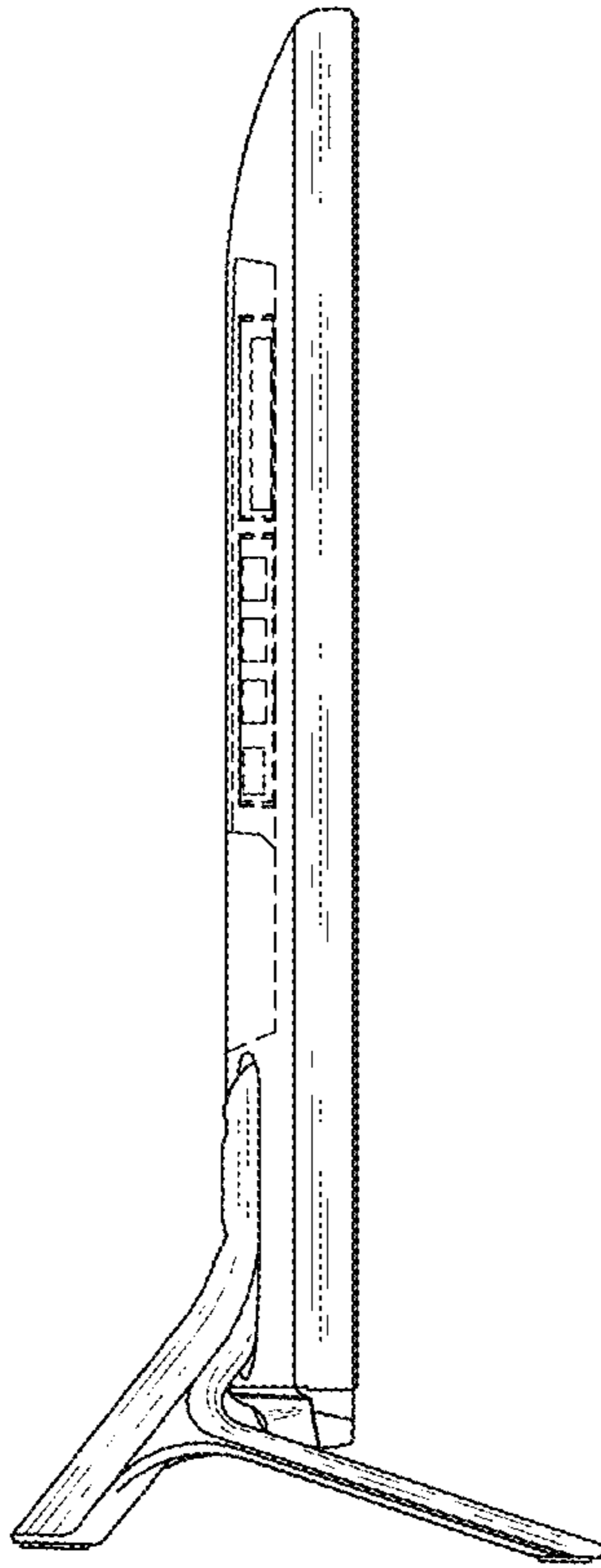


FIG. 5

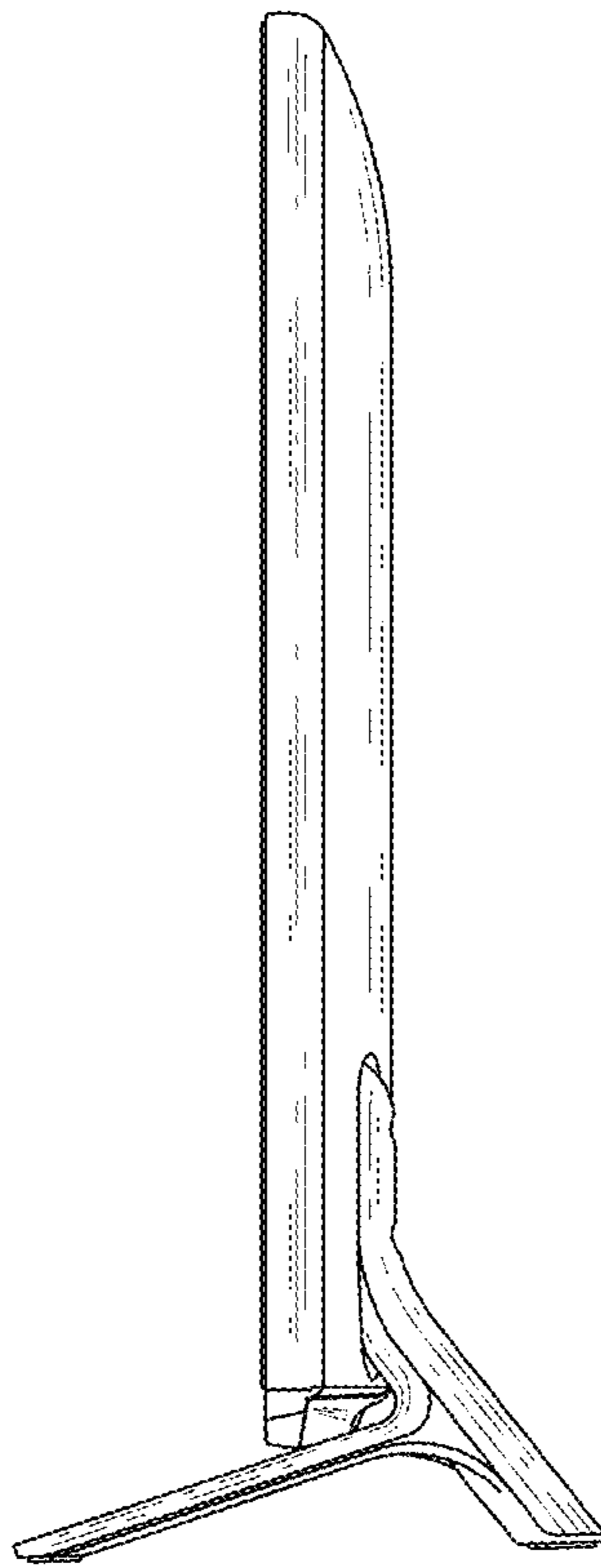


FIG. 6

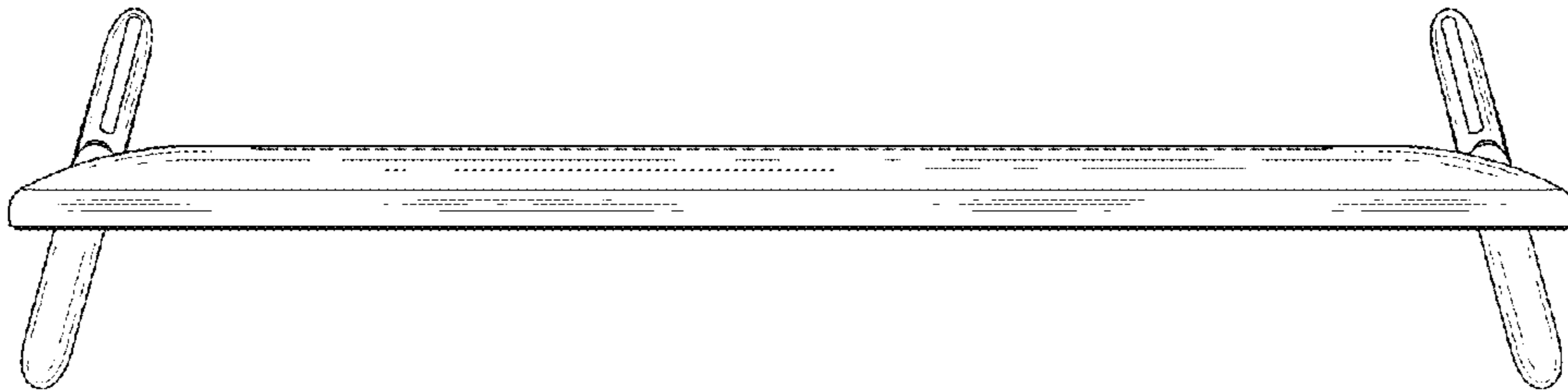


FIG. 7

