



US00D751045S

(12) **United States Design Patent**
Kuriki

(10) **Patent No.:** **US D751,045 S**
(45) **Date of Patent:** **** Mar. 8, 2016**

(54) **LIGHT EMITTING DIODE**

(71) Applicants: **Citizen Electronics Co., Ltd.**,
Yamanashi (JP); **Citizen Holdings Co., Ltd.**, Tokyo (JP)

(72) Inventor: **Shingo Kuriki**, Yamanashi (JP)

(73) Assignees: **Citizen Electronics Co., Ltd.**,
Yamanashi (JP); **Citizen Holdings Co., Ltd.**, Tokyo (JP)

(**) Term: **14 Years**

(21) Appl. No.: **29/511,711**

(22) Filed: **Dec. 12, 2014**

(30) **Foreign Application Priority Data**

Jun. 16, 2014 (JP) 2014-012978
Jun. 16, 2014 (JP) 2014-012980

(51) **LOC (10) Cl.** **13-03**

(52) **U.S. Cl.**
USPC **D13/180**

(58) **Field of Classification Search**
USPC D13/180; D26/1
CPC ... H01L 25/167; H01L 25/0753; H01L 27/15;
H01L 27/156; H01L 31/02; H01L 33/00;
H01L 33/04; H01L 33/08; H01L 33/10;
H01L 33/20; H01L 33/38; H01L 33/42;
H01L 33/483; H01L 33/4868
See application file for complete search history.

(56) **References Cited**

U.S. PATENT DOCUMENTS

D603,813 S * 11/2009 Nishimura et al. D13/180
8,154,037 B2 * 4/2012 Kadotani et al. 257/97
D676,000 S * 2/2013 Hussell et al. D13/180
D676,395 S * 2/2013 Hussell et al. D13/180
D682,224 S * 5/2013 Sasano et al. D13/180
8,530,920 B2 * 9/2013 Tsai 257/98

D700,585 S * 3/2014 Takeda et al. D13/180
D707,192 S * 6/2014 Hussell et al. D13/180
8,772,819 B2 * 7/2014 Hwu et al. 257/99
8,833,966 B2 * 9/2014 Hsieh et al. 362/231
9,018,648 B2 * 4/2015 Chiu et al. 257/88
9,018,832 B2 * 4/2015 Agatani et al. 313/500
9,024,334 B2 * 5/2015 Agatani et al. 257/88

(Continued)

FOREIGN PATENT DOCUMENTS

JP D1398227 10/2010
JP 2011108744 6/2011

(Continued)

Primary Examiner — Selina Sikder

(74) *Attorney, Agent, or Firm* — RatnerPrestia

(57) **CLAIM**

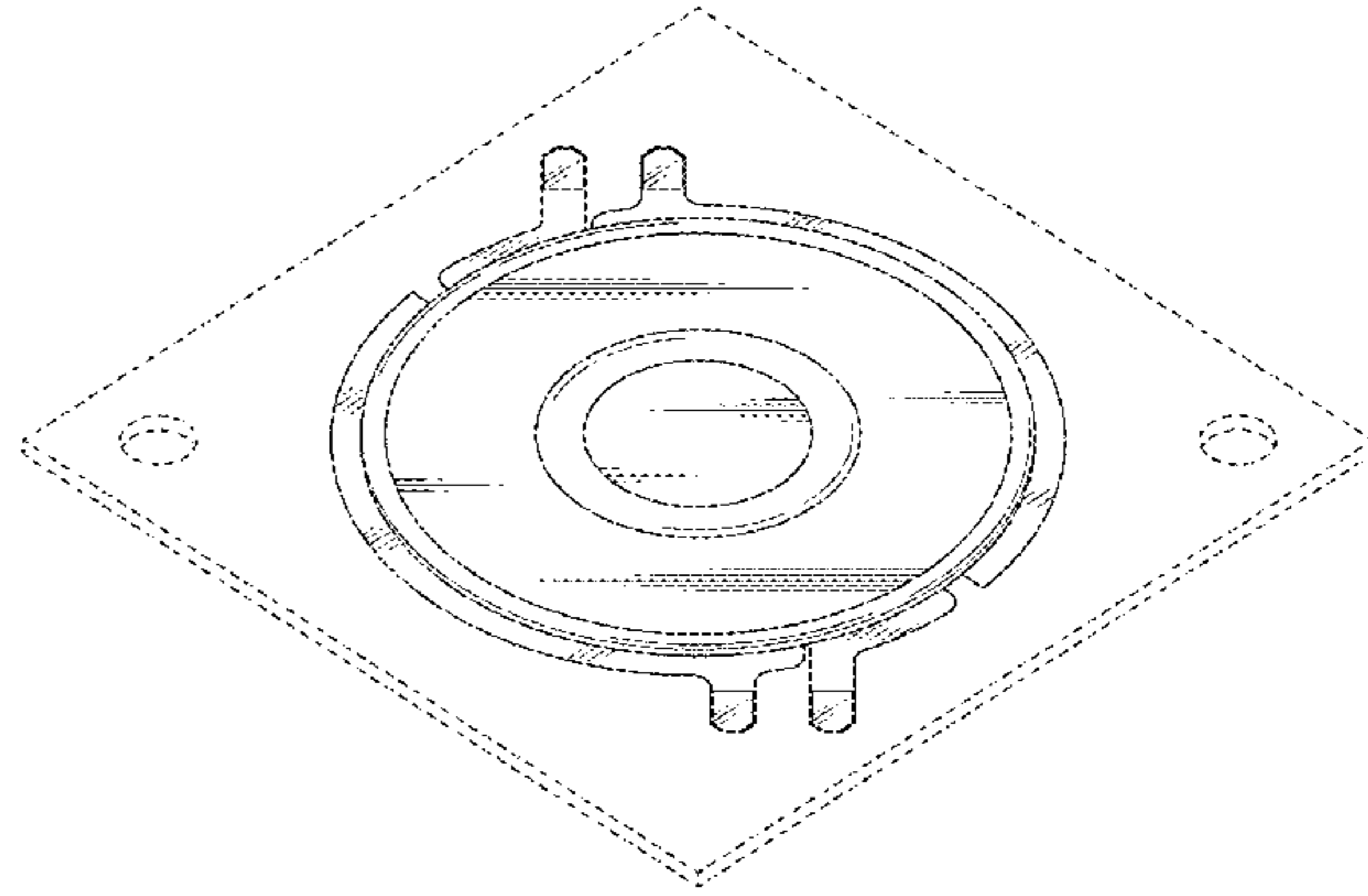
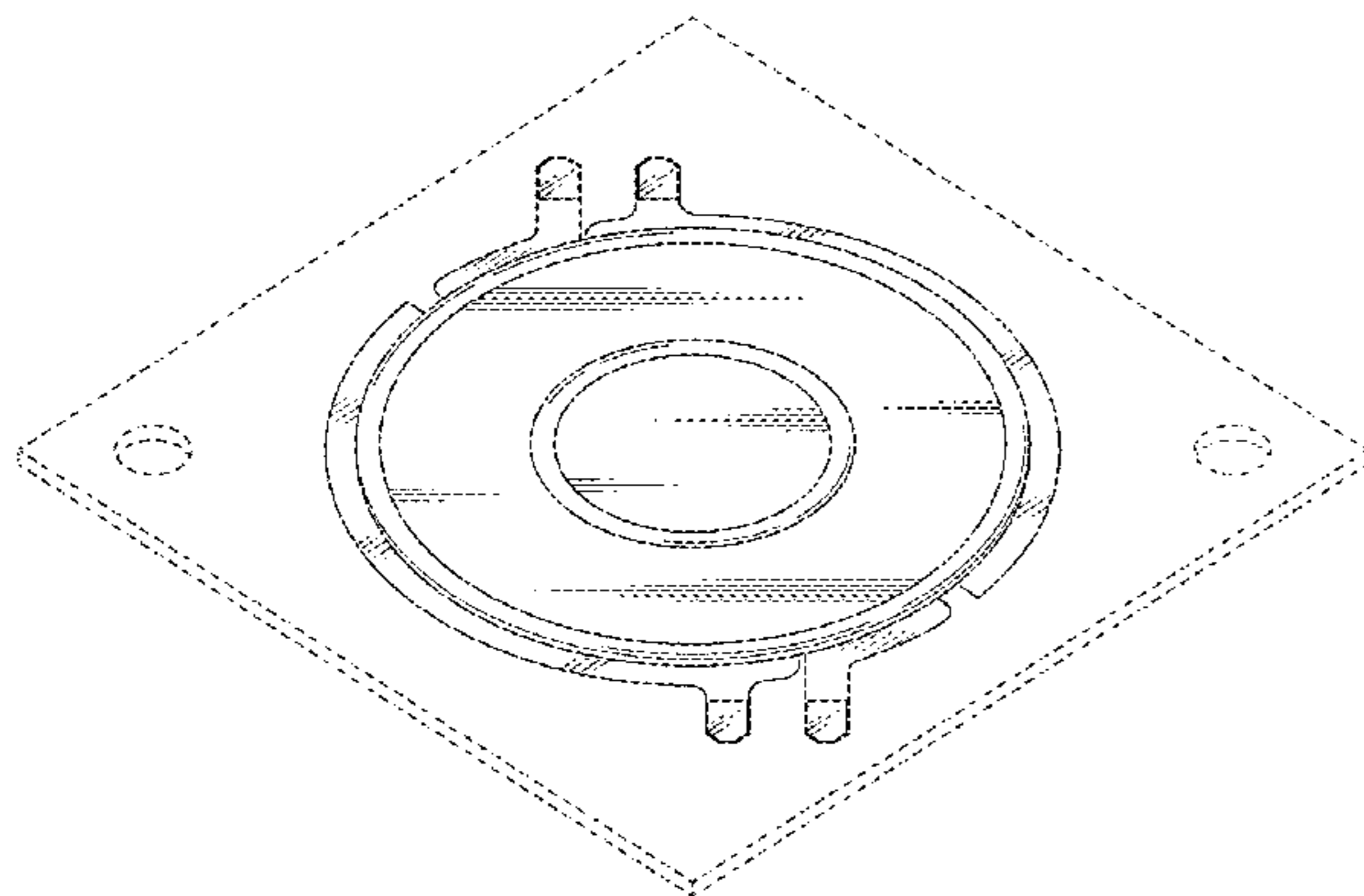
The ornamental design for a light emitting diode, as shown and described.

DESCRIPTION

FIG. 1 is a perspective view of a first embodiment of a light emitting diode showing our new design;
FIG. 2 is a top plan view thereof;
FIG. 3 is a front view thereof;
FIG. 4 is a rear view thereof;
FIG. 5 is a left side elevational view thereof;
FIG. 6 is a right side elevational view thereof;
FIG. 7 is a bottom plan view thereof;
FIG. 8 is a perspective view of a second embodiment of a light emitting diode showing our new design;
FIG. 9 is a top plan view thereof;
FIG. 10 is a front view thereof;
FIG. 11 is a rear view thereof;
FIG. 12 is a left side elevational view thereof;
FIG. 13 is a right side elevational view thereof; and,
FIG. 14 is a bottom plan view thereof.

The broken lines shown in the drawings are for illustrative purposes only and form no part of the claimed design.

1 Claim, 10 Drawing Sheets



(56)

References Cited

FOREIGN PATENT DOCUMENTS

U.S. PATENT DOCUMENTS

9,029,905 B2 *	5/2015	Lin et al.	257/99
9,059,376 B2 *	6/2015	Chou	
9,130,140 B2 *	9/2015	Tsuchiya et al.	
9,133,990 B2 *	9/2015	Lee et al.	
9,146,026 B2 *	9/2015	Funakubo	
2011/0050071 A1	3/2011	Chung et al.	
2011/0116252 A1	5/2011	Agatani et al.	
2012/0097997 A1	4/2012	Chung et al.	
2012/0268929 A1 *	10/2012	Chung et al.	362/231
2014/0098529 A1	4/2014	Hata et al.	

JP	2012142428	7/2012
JP	2012142429	7/2012
JP	2013051375	3/2013
JP	D1492649	3/2014
JP	D1492808	3/2014
TW	201108390 A1	3/2011
TW	201218430 A1	5/2012
WO	WO 2012165007 A1	12/2012

* cited by examiner

FIG. 1

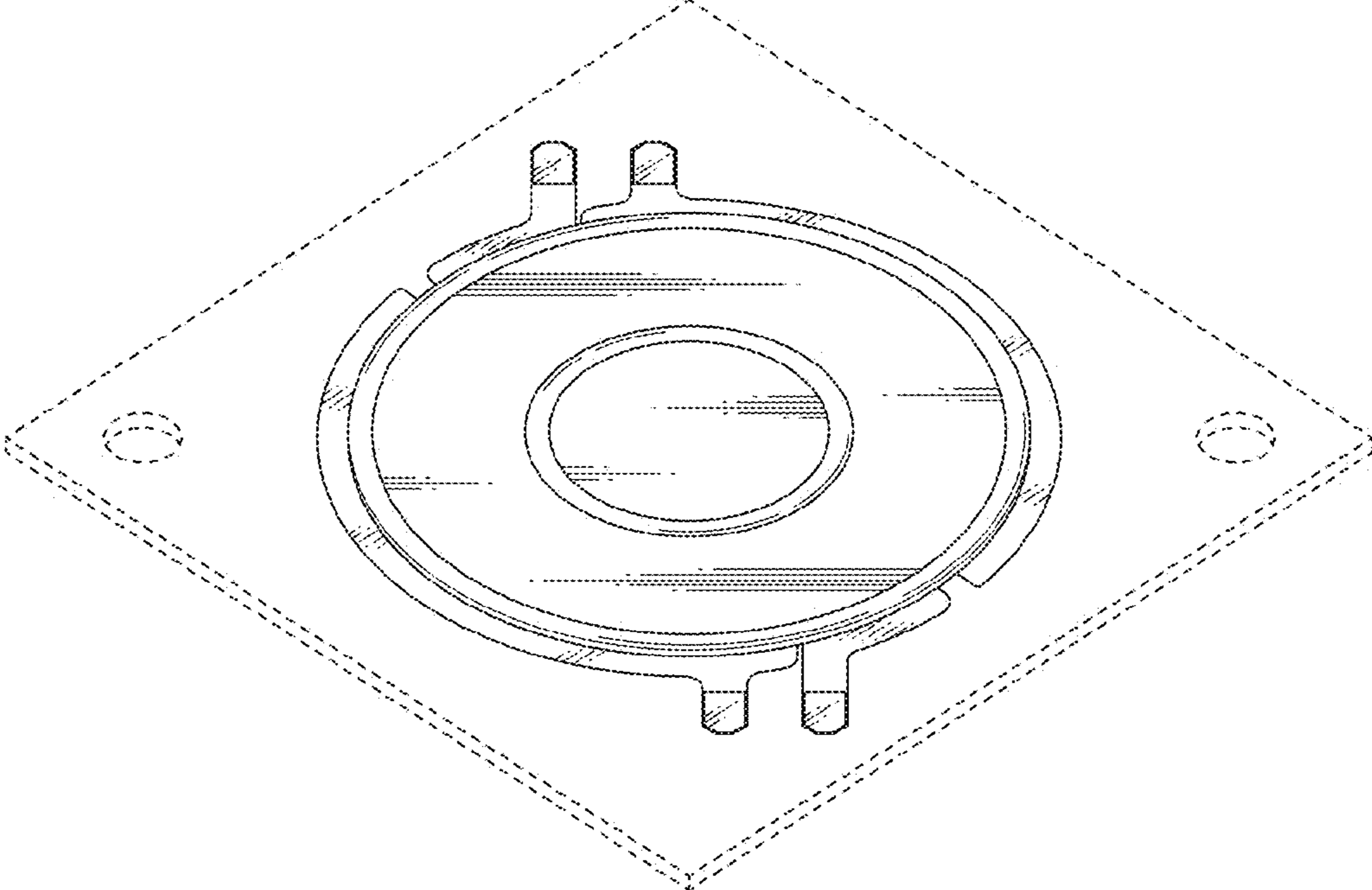


FIG. 2

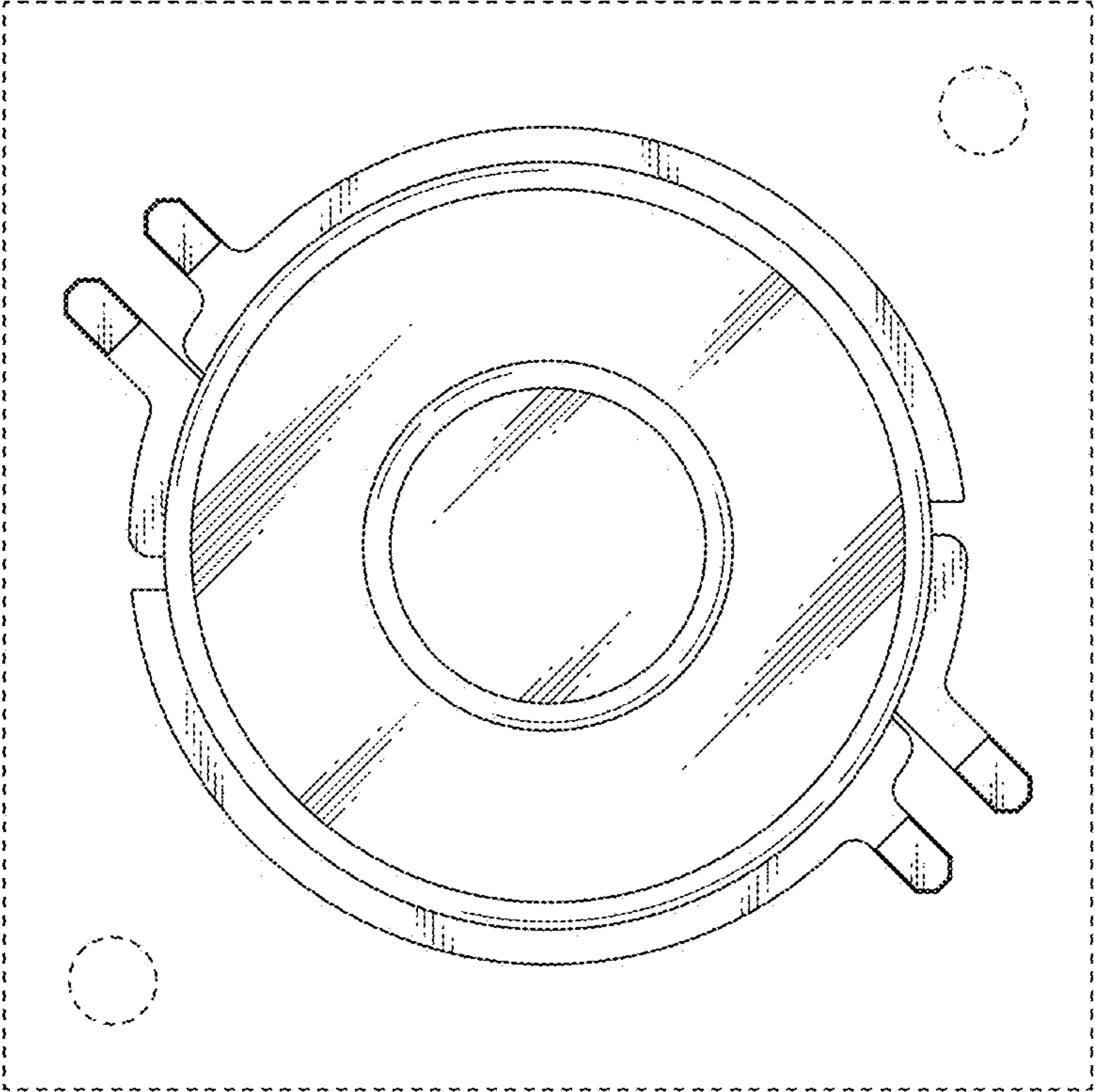


FIG. 3

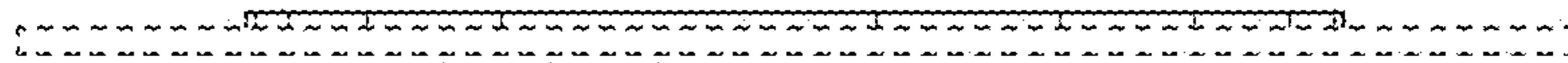


FIG. 4

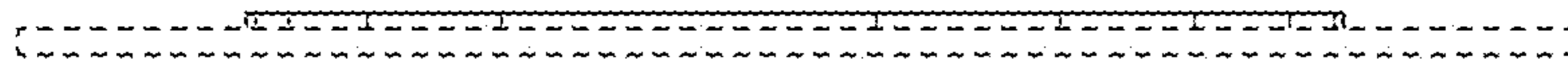


FIG. 5



FIG. 6

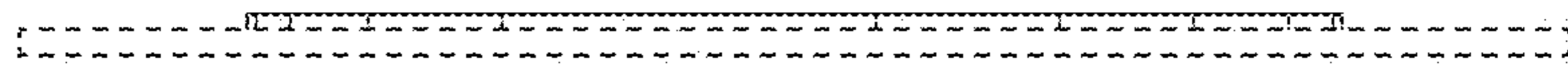


FIG. 7

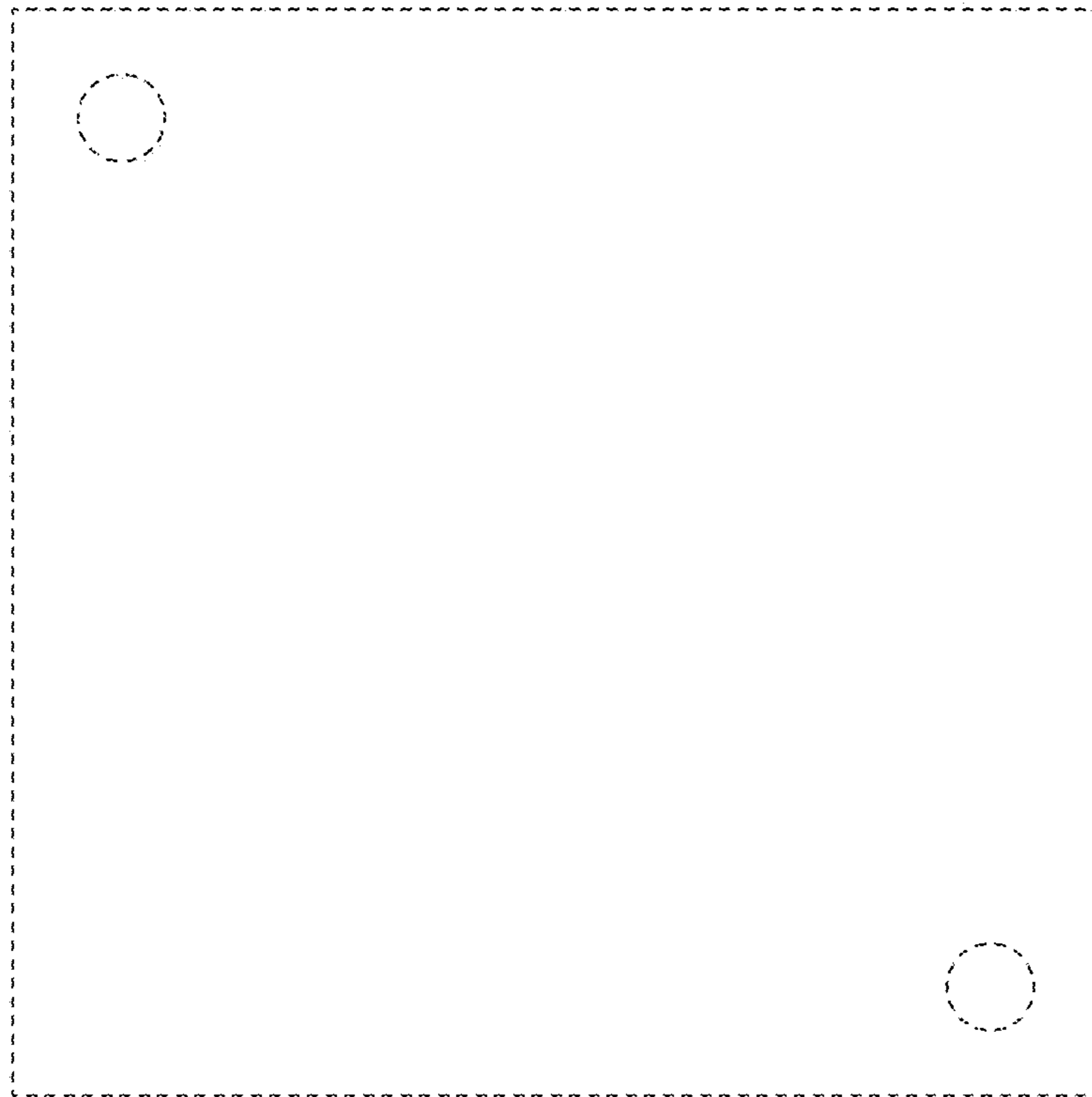


FIG. 8

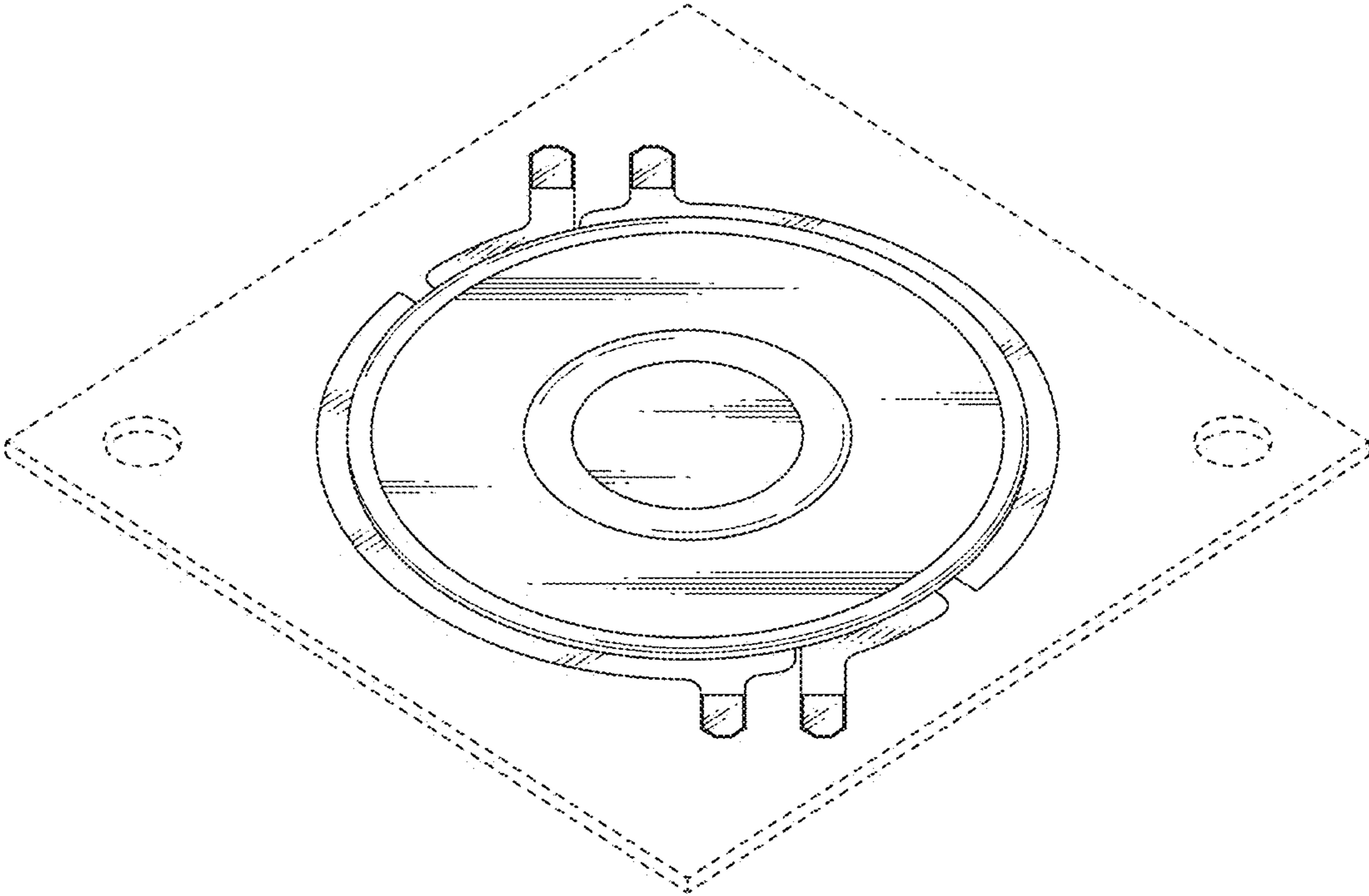


FIG. 9

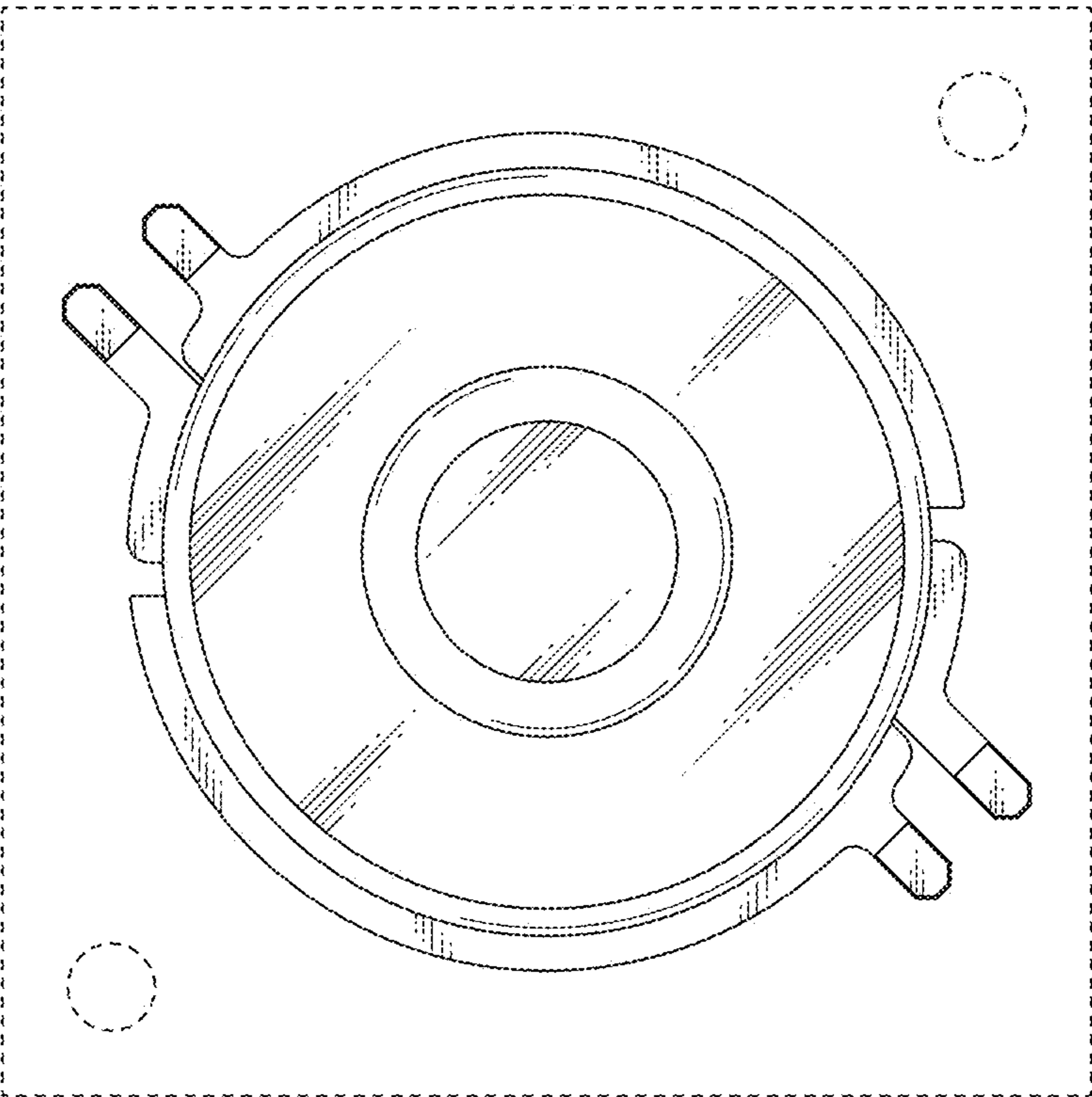


FIG. 10

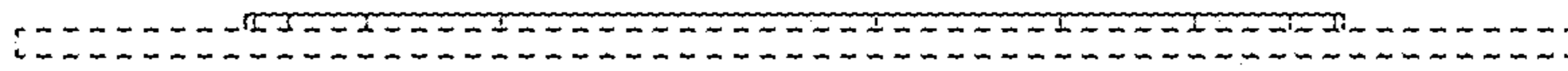


FIG. 11

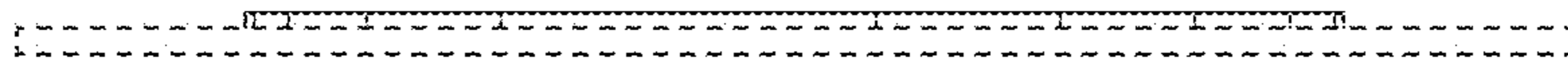


FIG. 12



FIG. 13



FIG. 14

