



US00D751042S

(12) **United States Design Patent**
Ebisawa et al.

(10) **Patent No.:** **US D751,042 S**
(45) **Date of Patent:** **** Mar. 8, 2016**

(54) **TERMINAL FITTING**

FOREIGN PATENT DOCUMENTS

(71) Applicant: **Molex, LLC**, Lisle, IL (US)
(72) Inventors: **Satoshi Ebisawa**, Yamato (JP);
Toshihiro Niitsu, Machida (JP); **Hitomi Inukai**, Yamato (JP)

TW D129712 7/2009
TW D132654 12/2009
TW D133418 2/2010
TW D145359 2/2012

* cited by examiner

(73) Assignee: **Molex, LLC**, Lisle, IL (US)

Primary Examiner — Daniel Bui

(**) Term: **14 Years**

(74) *Attorney, Agent, or Firm* — James A. O'Malley

(21) Appl. No.: **29/498,402**

(57) **CLAIM**

(22) Filed: **Aug. 4, 2014**

The ornamental design for a terminal fitting, as shown and described.

(30) **Foreign Application Priority Data**

DESCRIPTION

Feb. 17, 2014 (JP) 2014-003126

(51) **LOC (10) Cl.** **13-03**

(52) **U.S. Cl.**
USPC **D13/154**

(58) **Field of Classification Search**
USPC D13/133, 147, 154, 184, 199
See application file for complete search history.

(56) **References Cited**

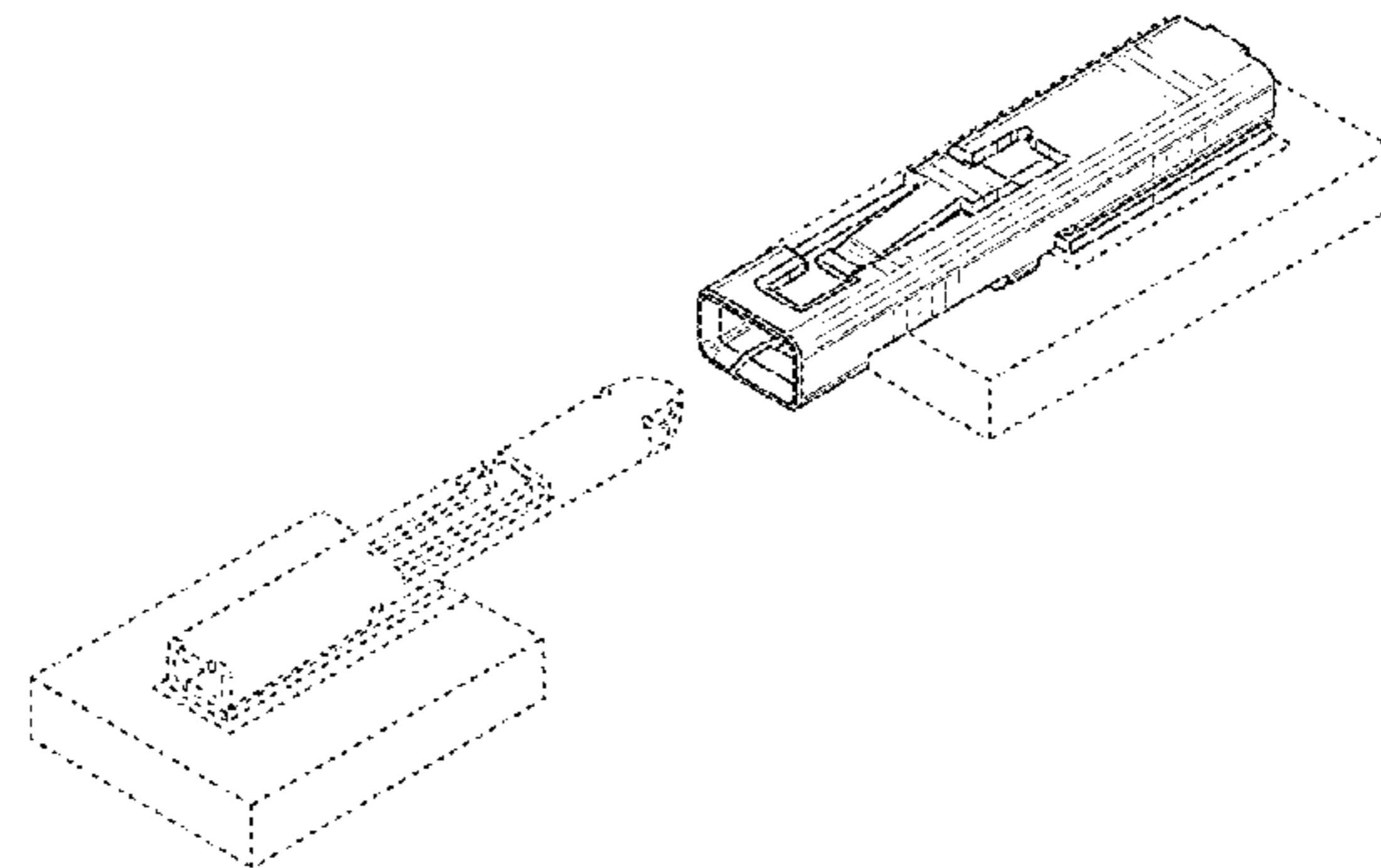
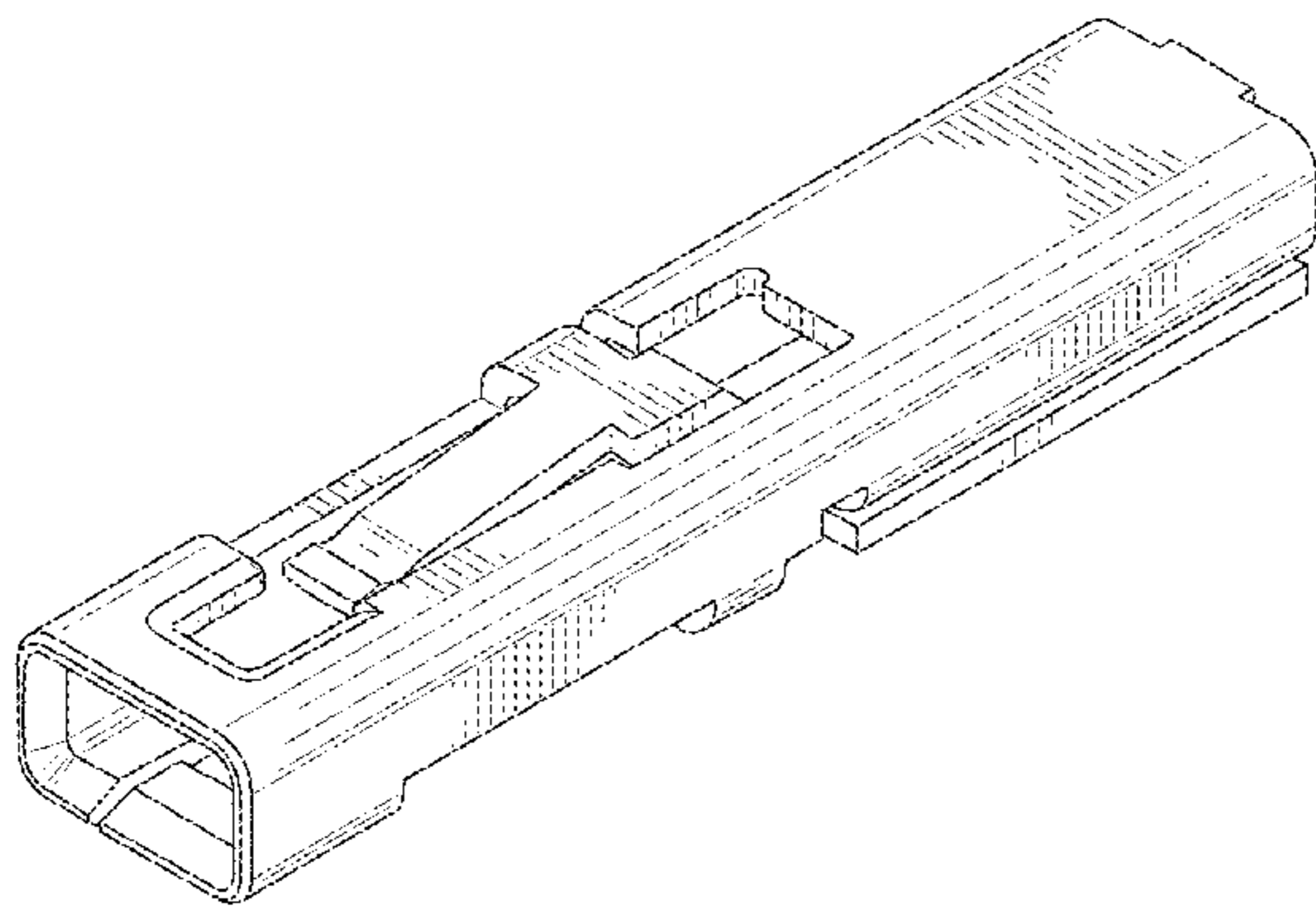
U.S. PATENT DOCUMENTS

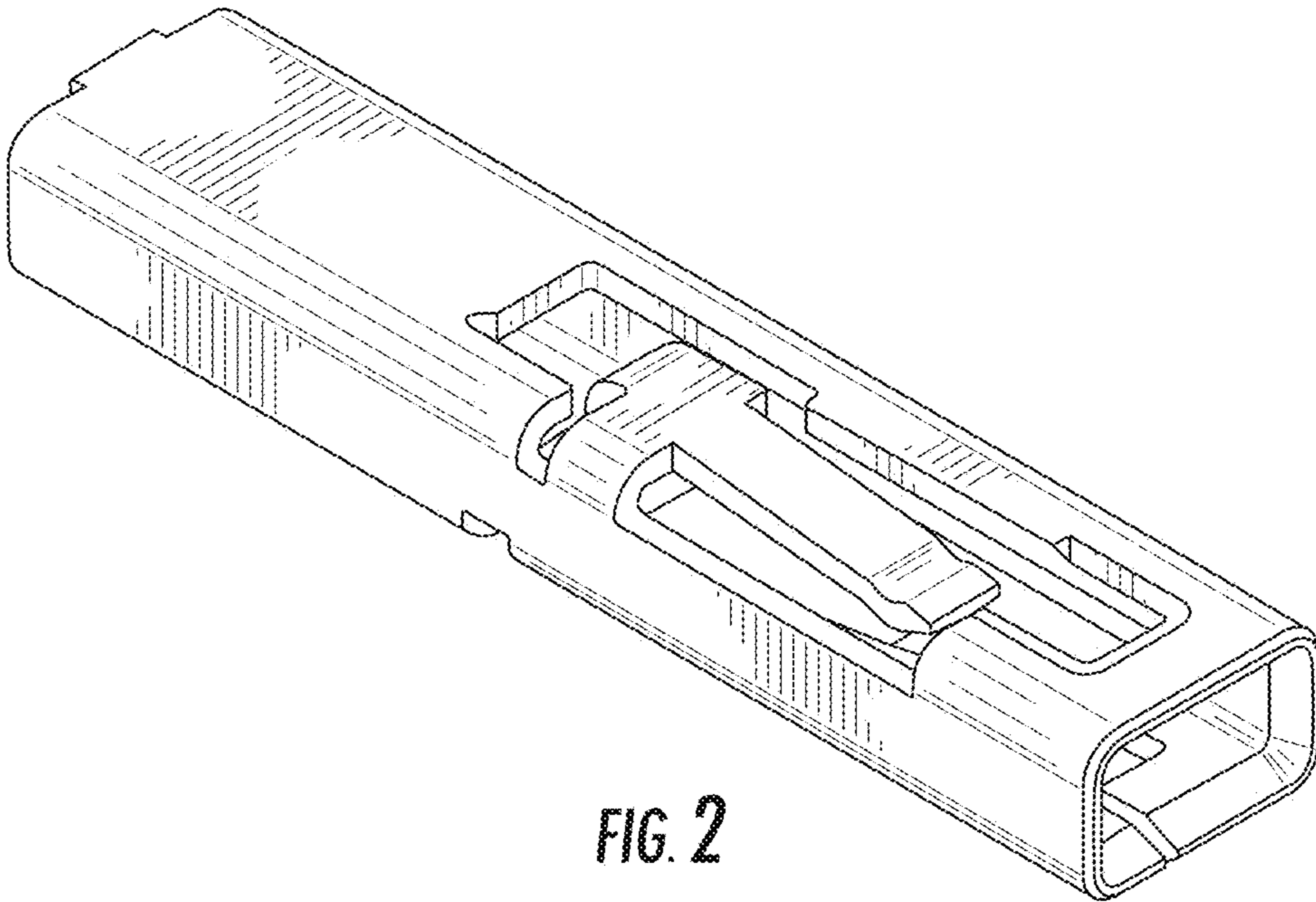
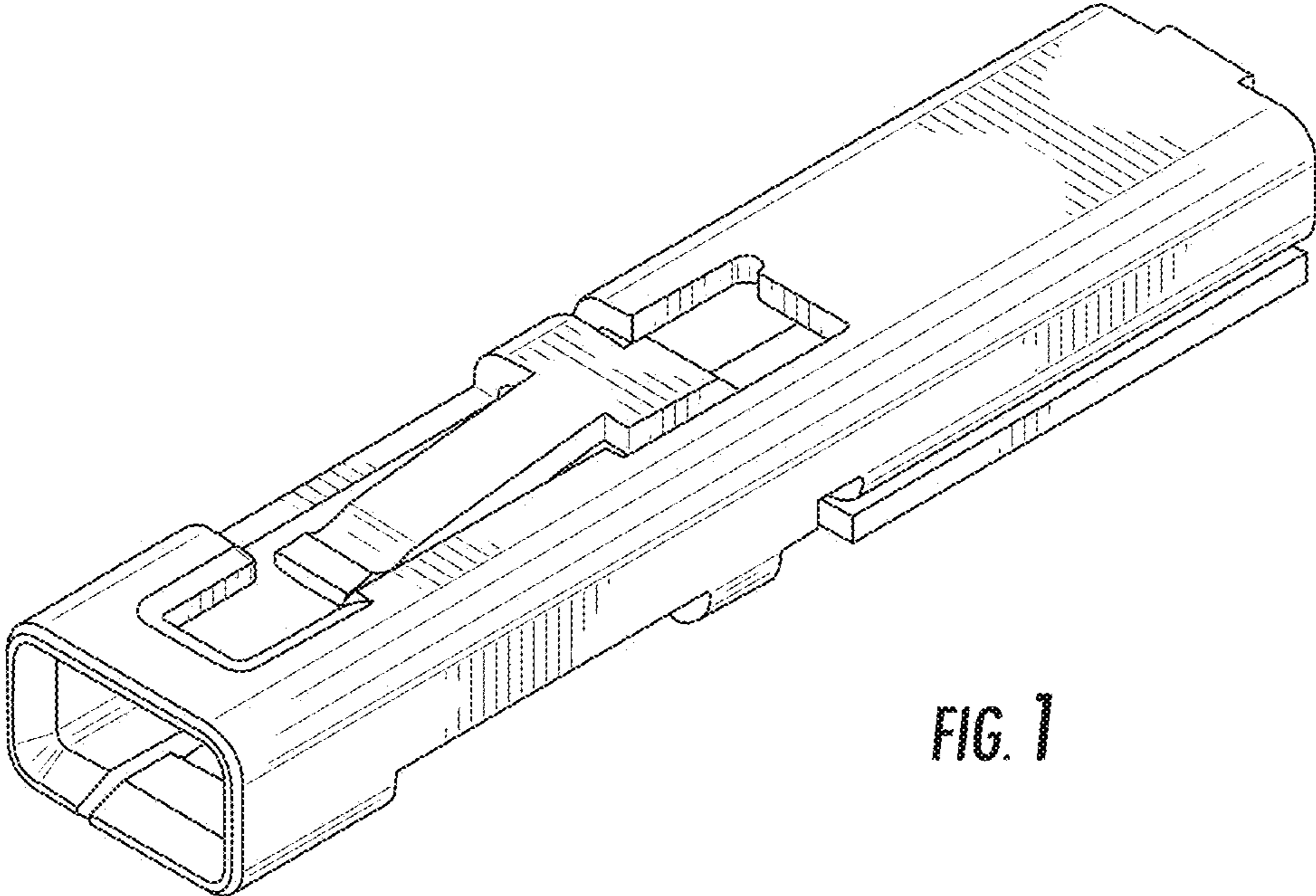
3,545,080	A	12/1970	Evans	
D237,191	S	10/1975	Renshaw	
D311,733	S	* 10/1990	Kuzuno et al.	D13/133
D316,076	S	4/1991	Keating	
D319,998	S	* 9/1991	Kozono	D13/133
D334,013	S	* 3/1993	Nagasaka et al.	D13/133
5,487,684	A	1/1996	Schalk et al.	
D496,631	S	* 9/2004	Wu	D13/133
D591,235	S	4/2009	Wong	
D684,537	S	6/2013	Herink et al.	
D689,822	S	* 9/2013	Yang et al.	D13/133

FIG. 1 is a top perspective view of a terminal fitting showing our new design;
FIG. 2 is another top perspective view thereof;
FIG. 3 is a bottom perspective view thereof;
FIG. 4 is another bottom perspective view thereof;
FIG. 5 is a side elevation view thereof;
FIG. 6 is another side elevation view thereof;
FIG. 7 is a top plan view thereof;
FIG. 8 is a bottom plan view thereof;
FIG. 9 is a front elevation view thereof;
FIG. 10 is a rear elevation view thereof;
FIG. 11 is a top perspective view thereof, in use condition; and,
FIG. 12 is another top perspective view thereof, in use condition.

The broken line in the figure drawings is included to show the unclaimed environment only and forms no part of the claimed design.

1 Claim, 4 Drawing Sheets





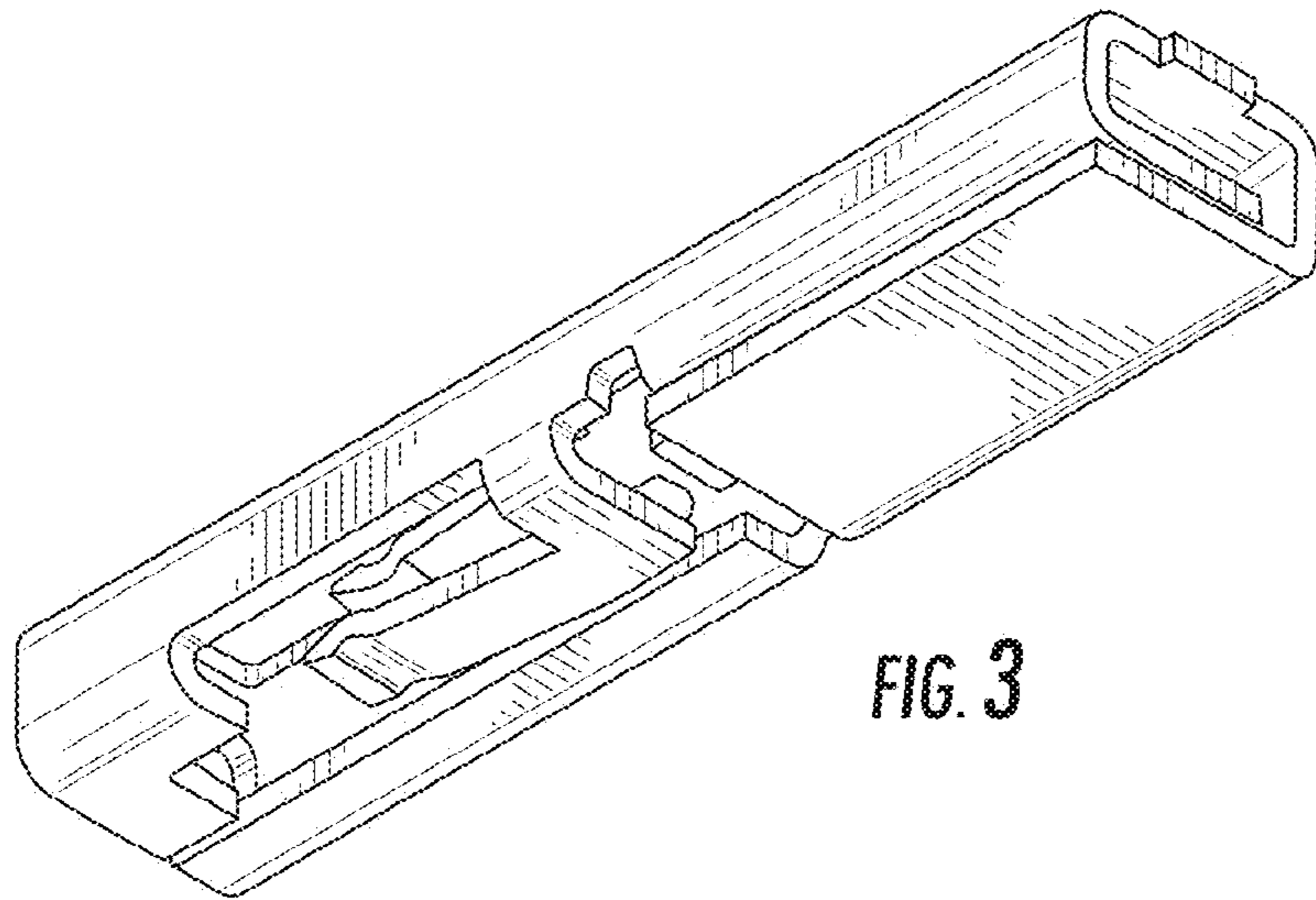


FIG. 3

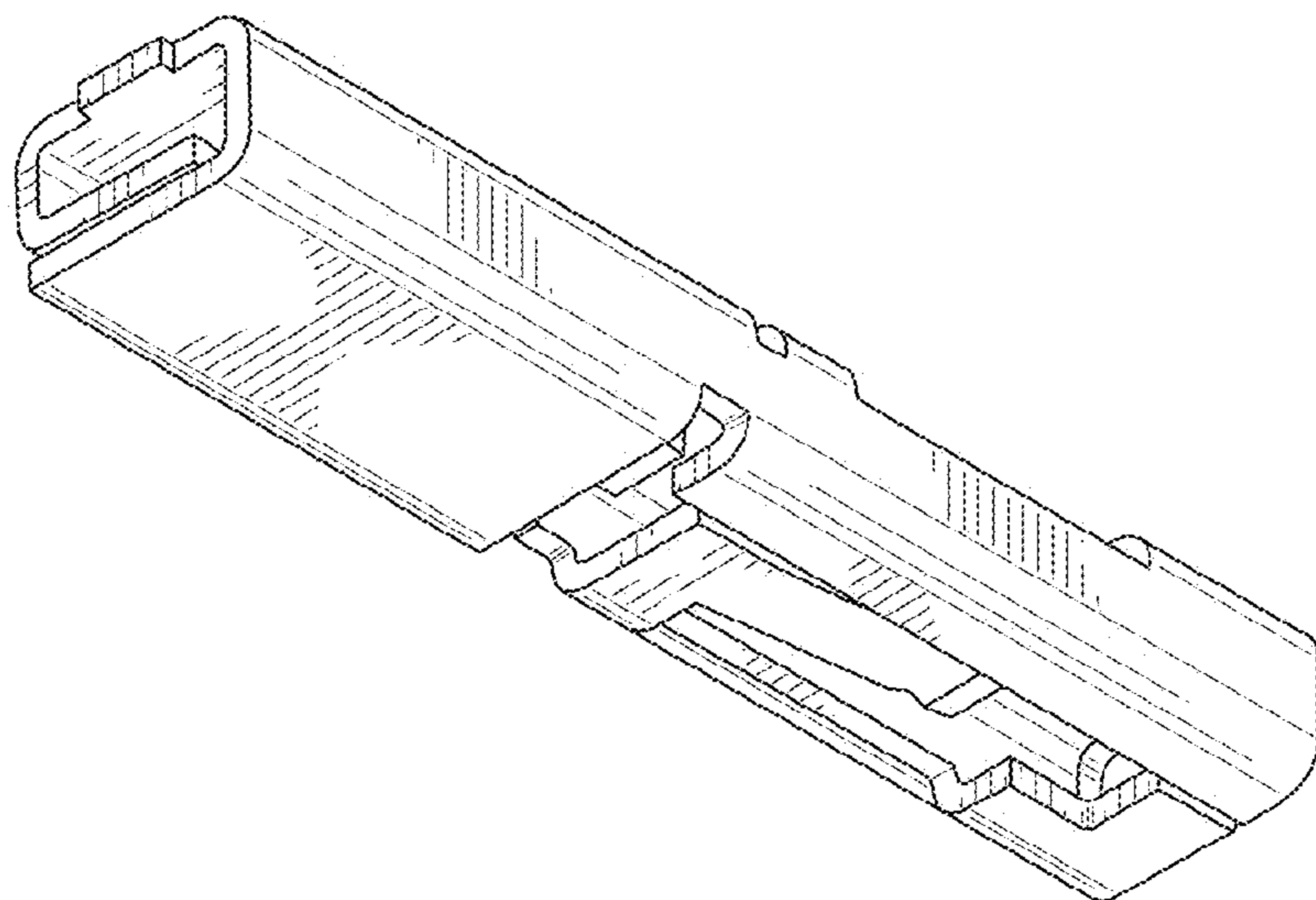


FIG. 4

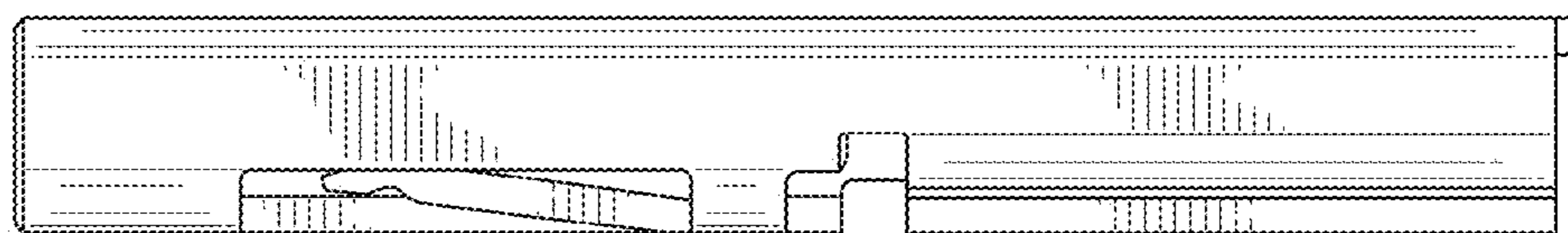


FIG. 5

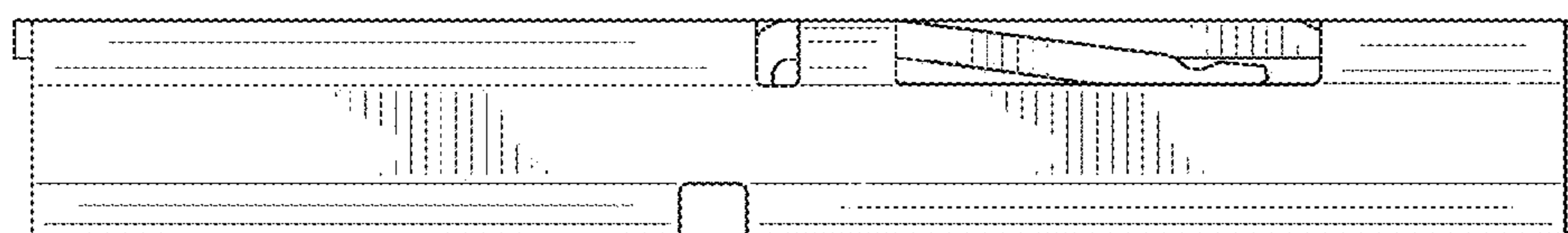


FIG. 6

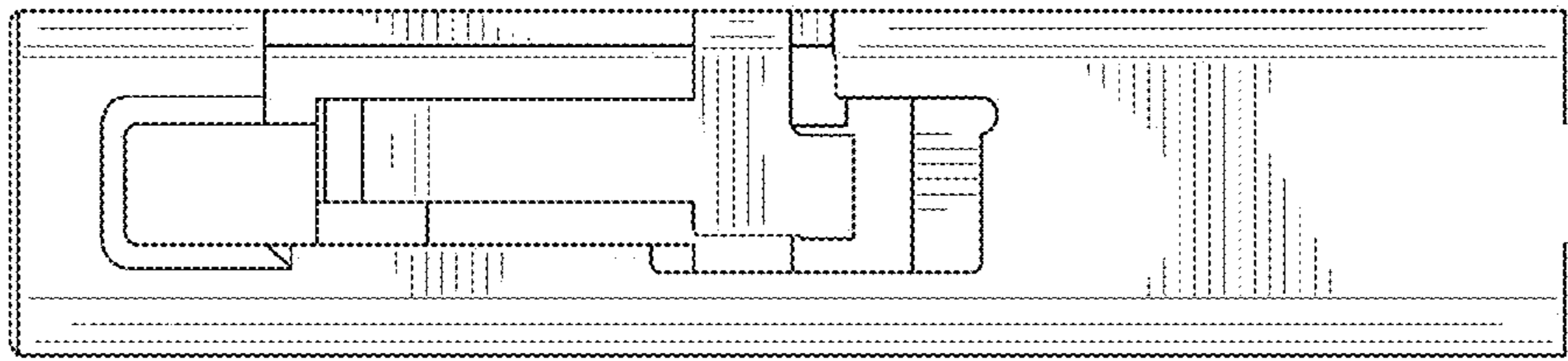


FIG. 7

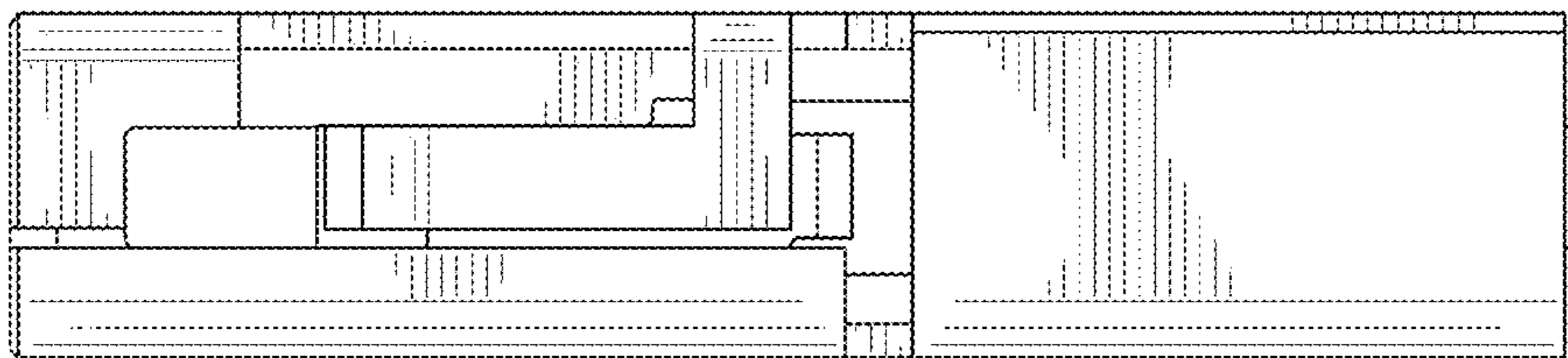


FIG. 8

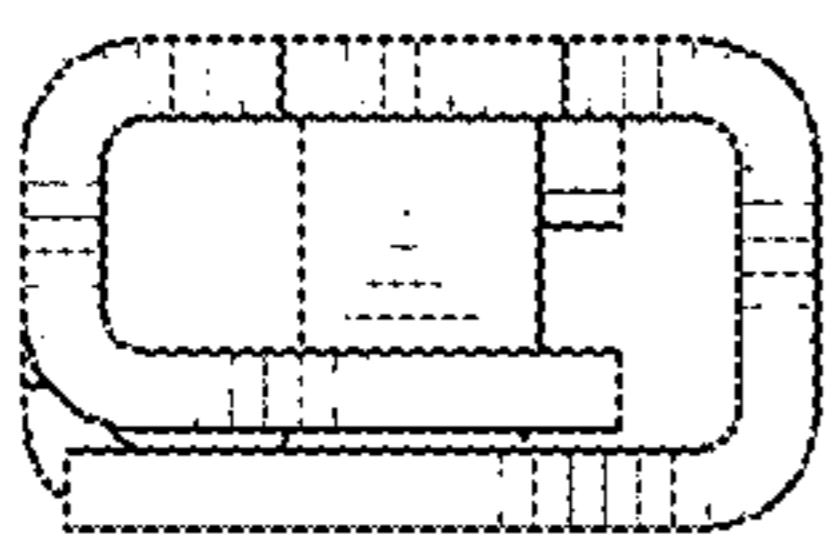


FIG. 9

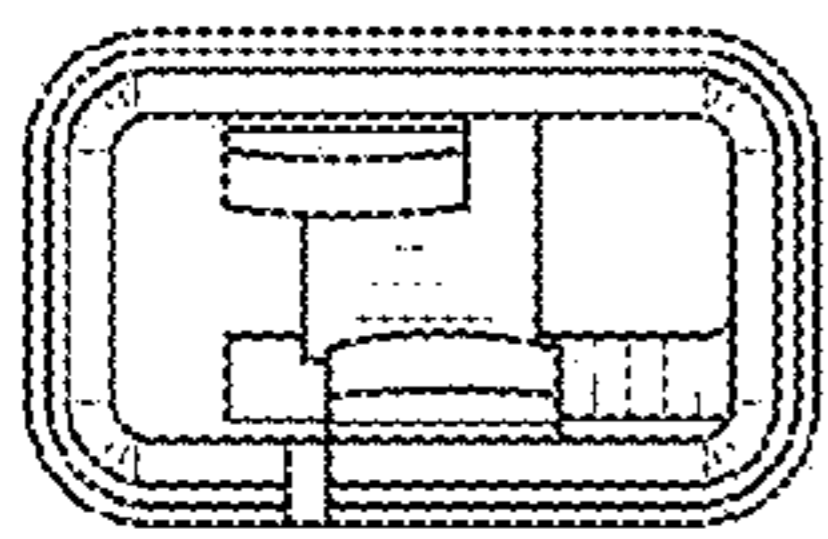


FIG. 10

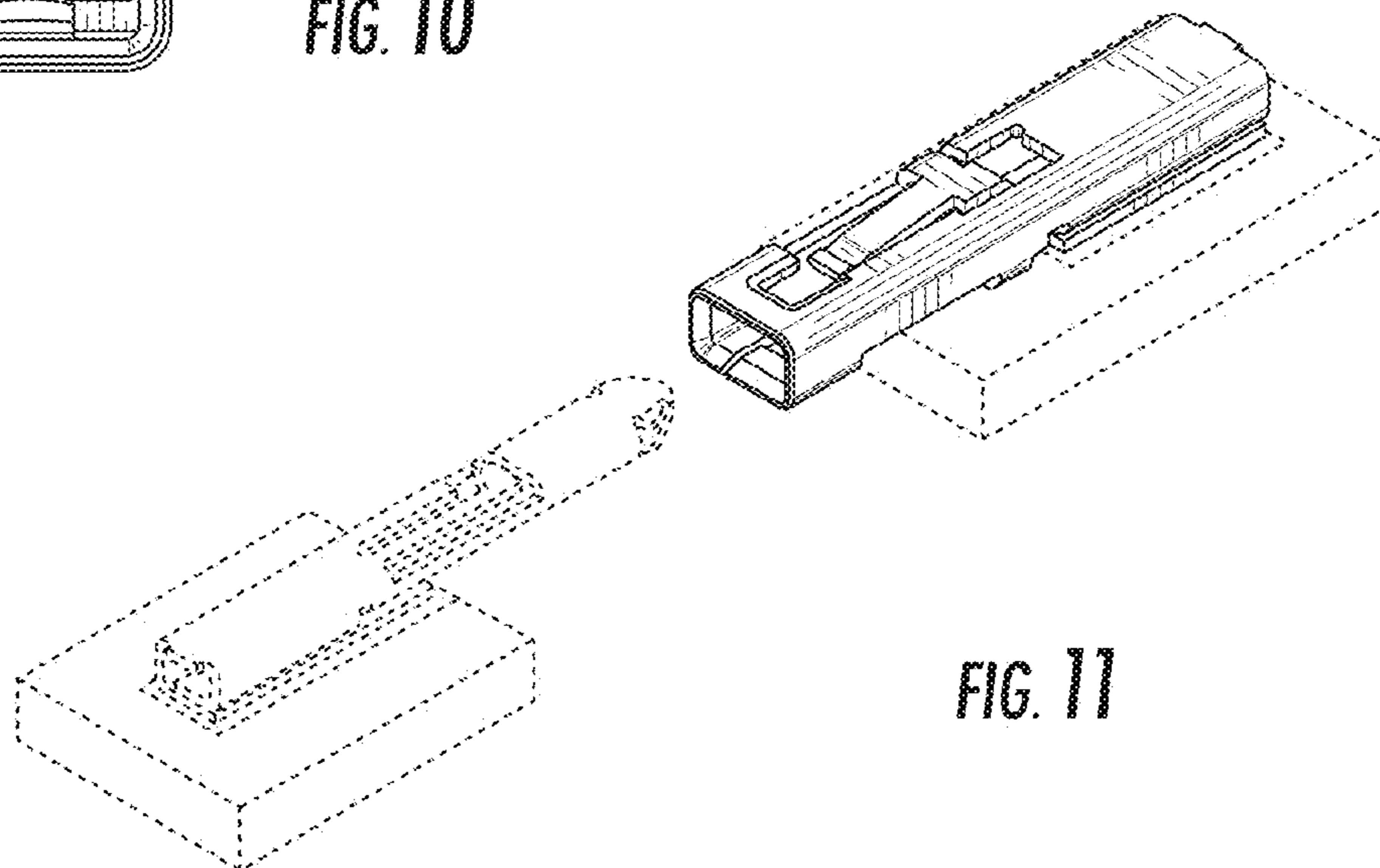


FIG. 11

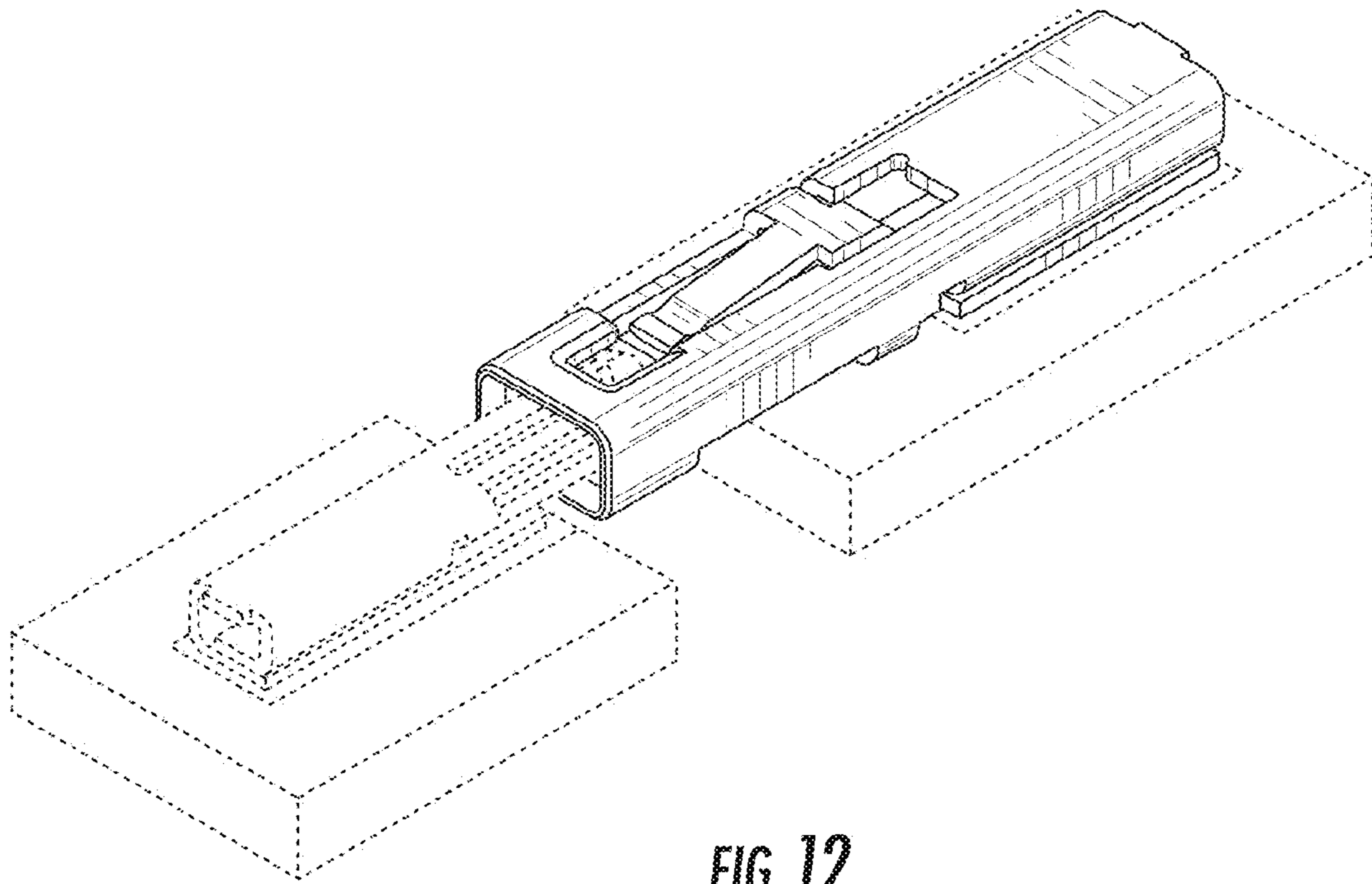


FIG. 12