



US00D751041S

(12) **United States Design Patent**
Ebisawa et al.

(10) **Patent No.:** **US D751,041 S**
(45) **Date of Patent:** **** Mar. 8, 2016**

(54) **TERMINAL FITTING**

FOREIGN PATENT DOCUMENTS

(71) Applicant: **Molex, LLC**, Lisle, IL (US)
(72) Inventors: **Satoshi Ebisawa**, Yamato (JP);
Toshihiro Niitsu, Machida (JP); **Hitomi Inukai**, Yamato (JP)

TW D129712 7/2009
TW D132654 12/2009
TW D133418 2/2010
TW D145359 2/2012

* cited by examiner

(73) Assignee: **Molex, LLC**, Lisle, IL (US)

Primary Examiner — Daniel Bui

(**) Term: **14 Years**

(74) *Attorney, Agent, or Firm* — James A. O'Malley

(21) Appl. No.: **29/498,401**

(57) **CLAIM**

(22) Filed: **Aug. 4, 2014**

The ornamental design for a terminal fitting, as shown and described.

(30) **Foreign Application Priority Data**

DESCRIPTION

Feb. 17, 2014 (JP) 2014-003125

(51) **LOC (10) Cl.** **13-03**

(52) **U.S. Cl.**
USPC **D13/154**

(58) **Field of Classification Search**
USPC D13/133, 147, 154, 184, 199
See application file for complete search history.

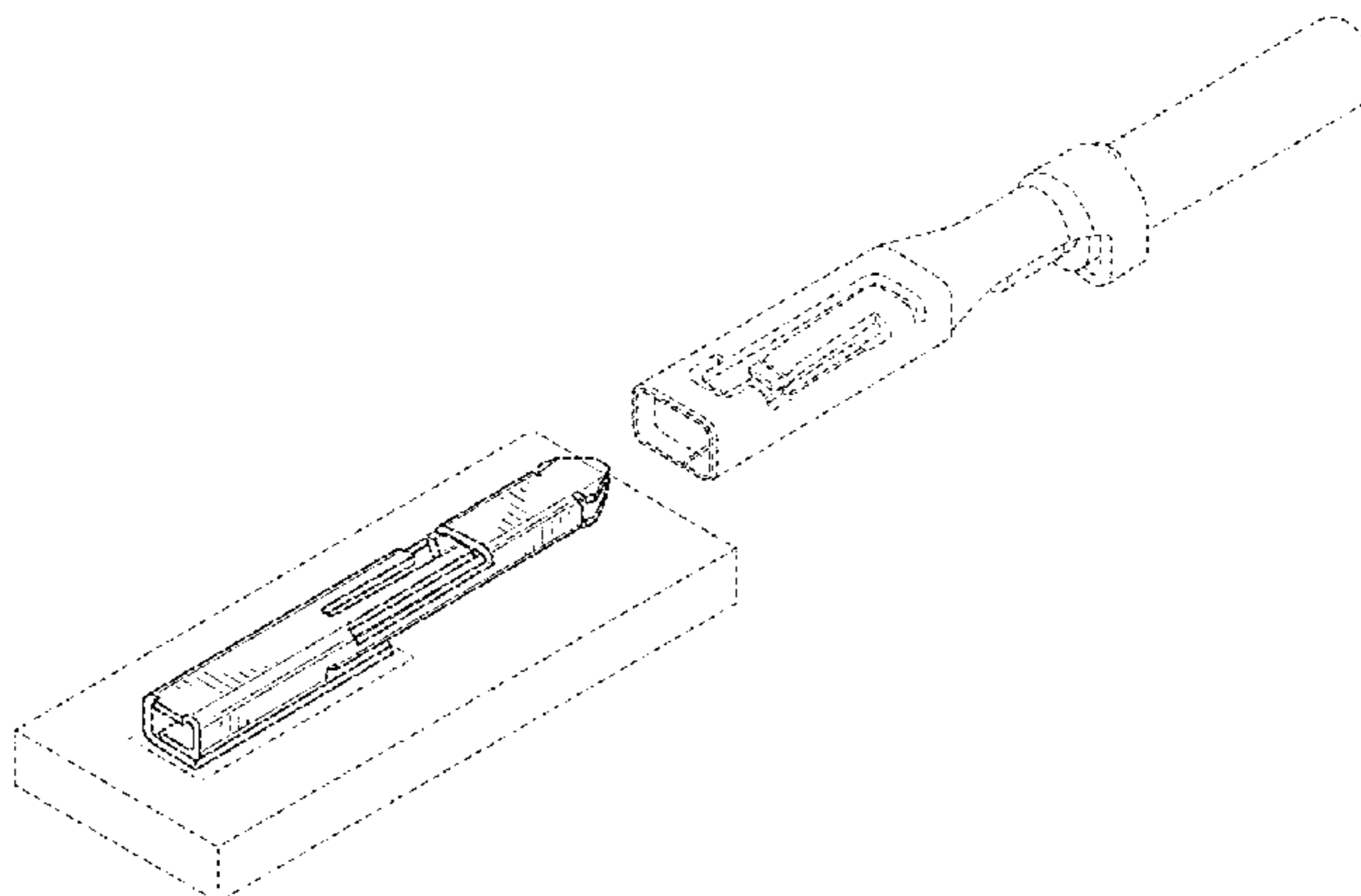
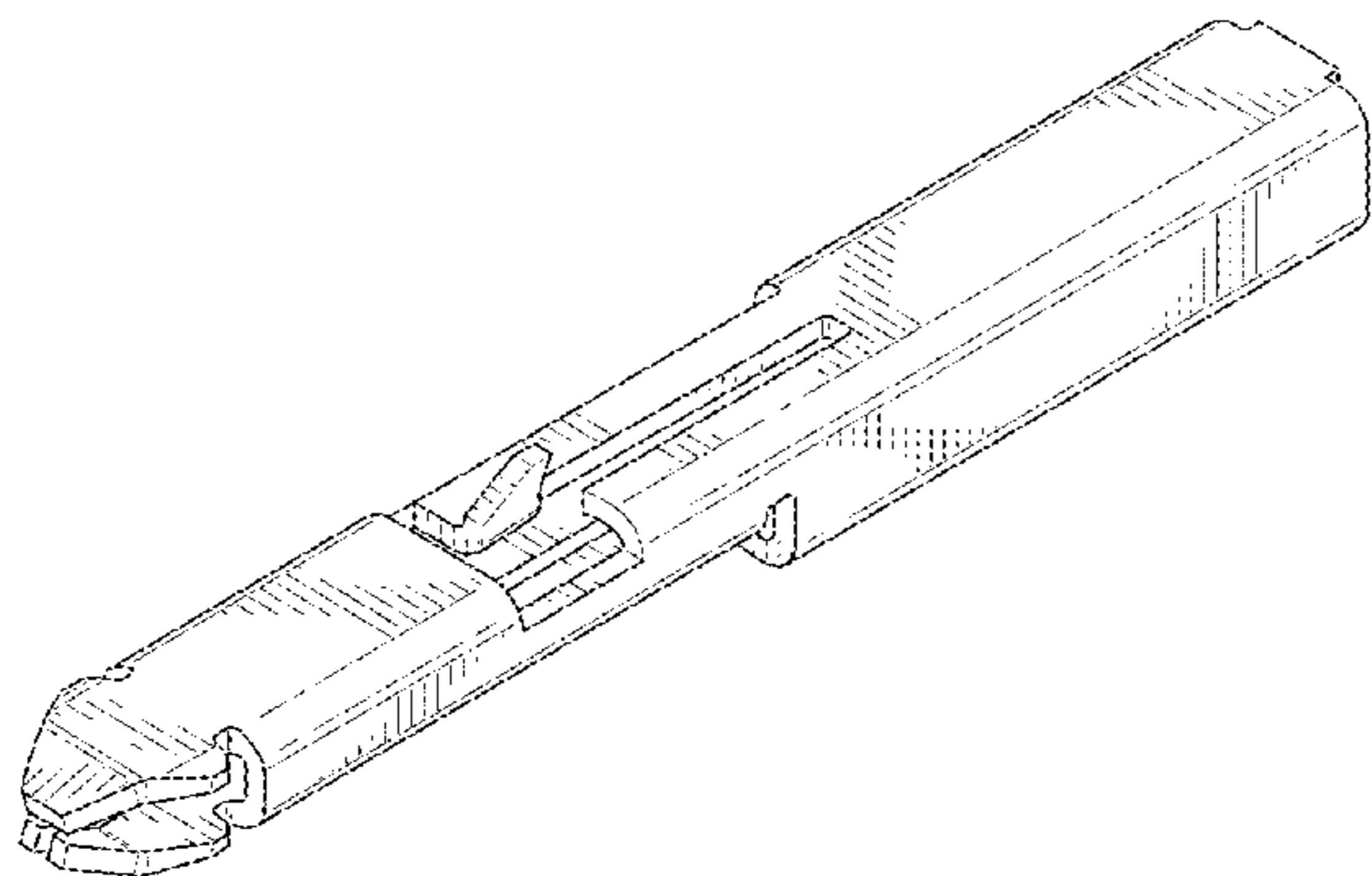
(56) **References Cited**

U.S. PATENT DOCUMENTS

3,545,080 A * 12/1970 Evans 29/874
D237,191 S * 10/1975 Renshaw, Jr. D13/133
D311,733 S 10/1990 Kuzuno et al.
D316,076 S * 4/1991 Keating D13/144
D319,998 S 9/1991 Kozono et al.
D334,013 S 3/1993 Nagasaka et al.
5,487,684 A * 1/1996 Schalk et al. 439/751
D496,631 S 9/2004 Wu
D591,235 S * 4/2009 Wong D13/133
D684,537 S * 6/2013 Herink et al. D13/133
D689,822 S 9/2013 Yang et al.

FIG. 1 is a top perspective view of a terminal fitting showing our new design;
FIG. 2 is another top perspective view thereof;
FIG. 3 is a bottom perspective view thereof;
FIG. 4 is another bottom perspective view thereof;
FIG. 5 is a side elevation view thereof;
FIG. 6 is another side elevation view thereof;
FIG. 7 is a top plan view thereof;
FIG. 8 is a bottom plan view thereof;
FIG. 9 is a front elevation view thereof;
FIG. 10 is a rear elevation view thereof;
FIG. 11 is a top perspective view thereof, in use condition; and,
FIG. 12 is another top perspective view thereof, in use condition.
The broken line in the figure drawings is included to show the unclaimed environment only and forms no part of the claimed design.

1 Claim, 3 Drawing Sheets



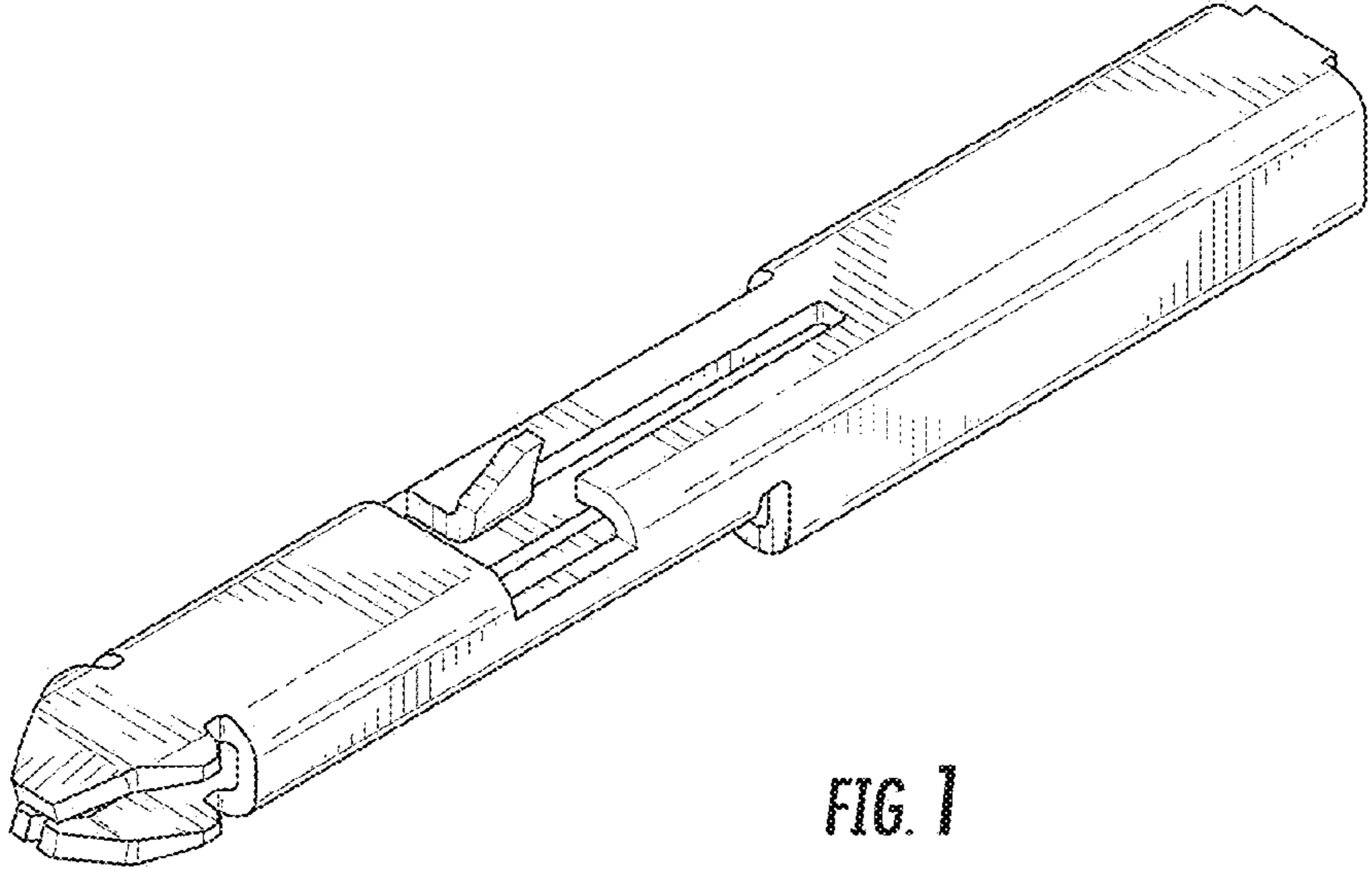


FIG. 1

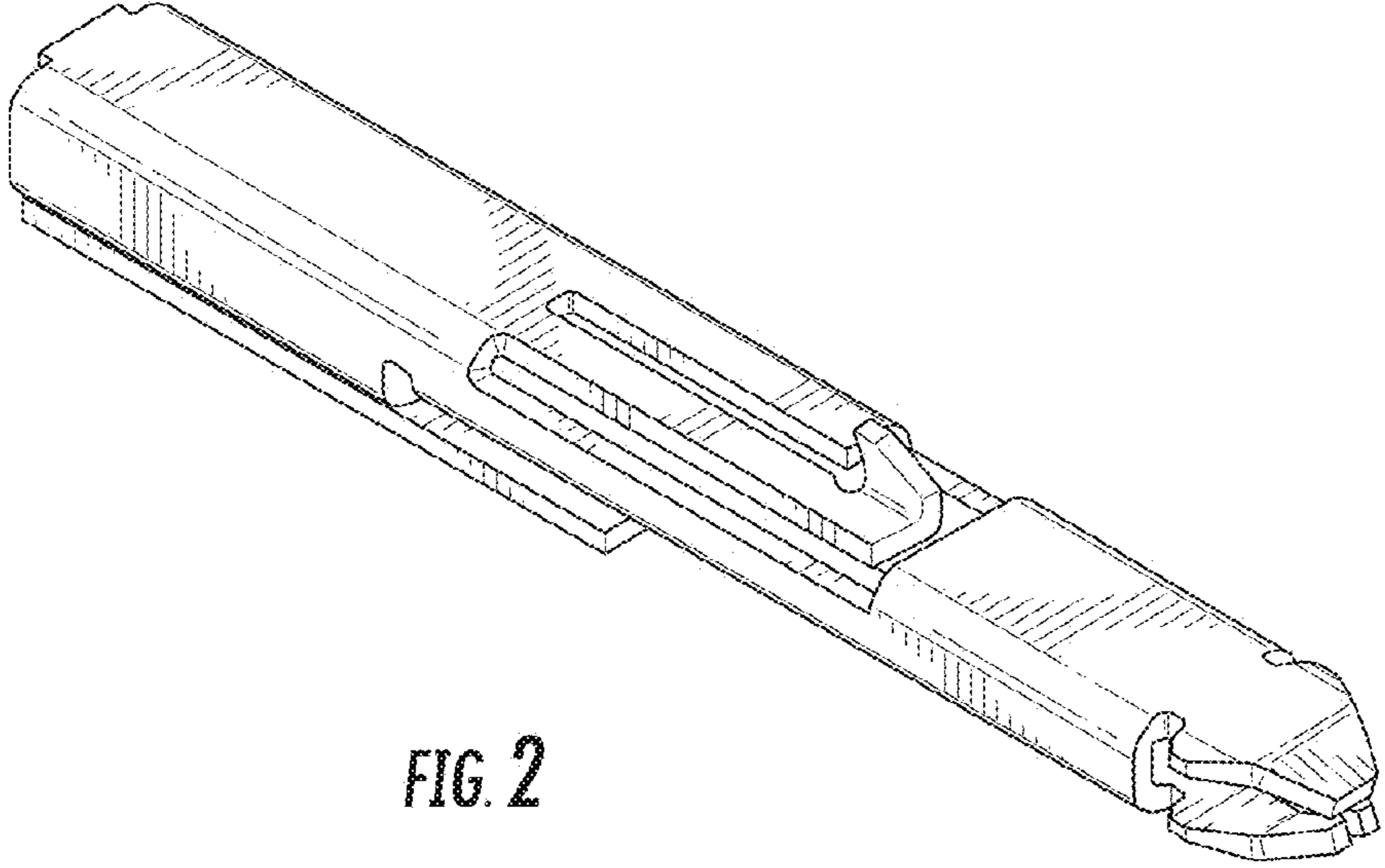


FIG. 2

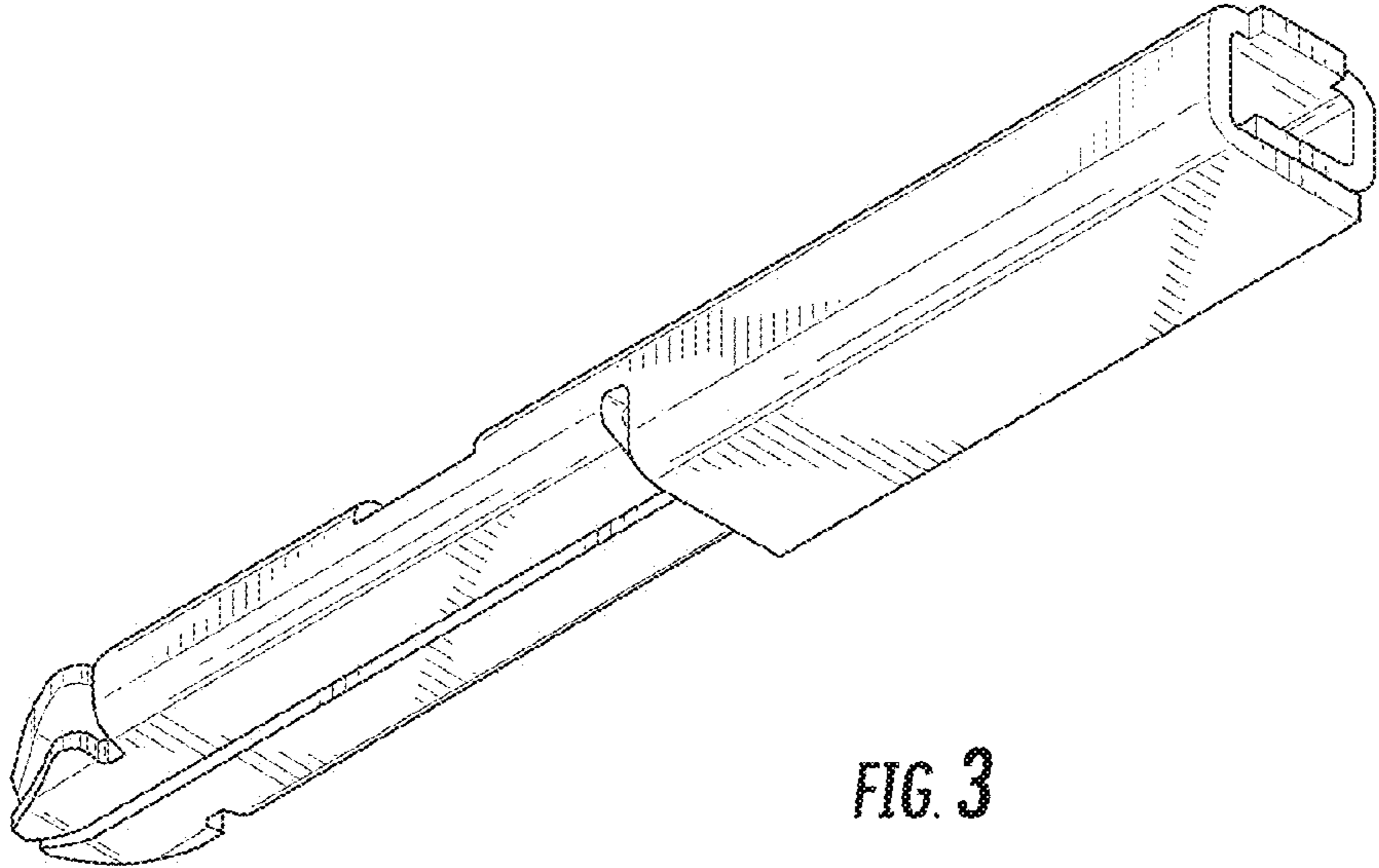


FIG. 3

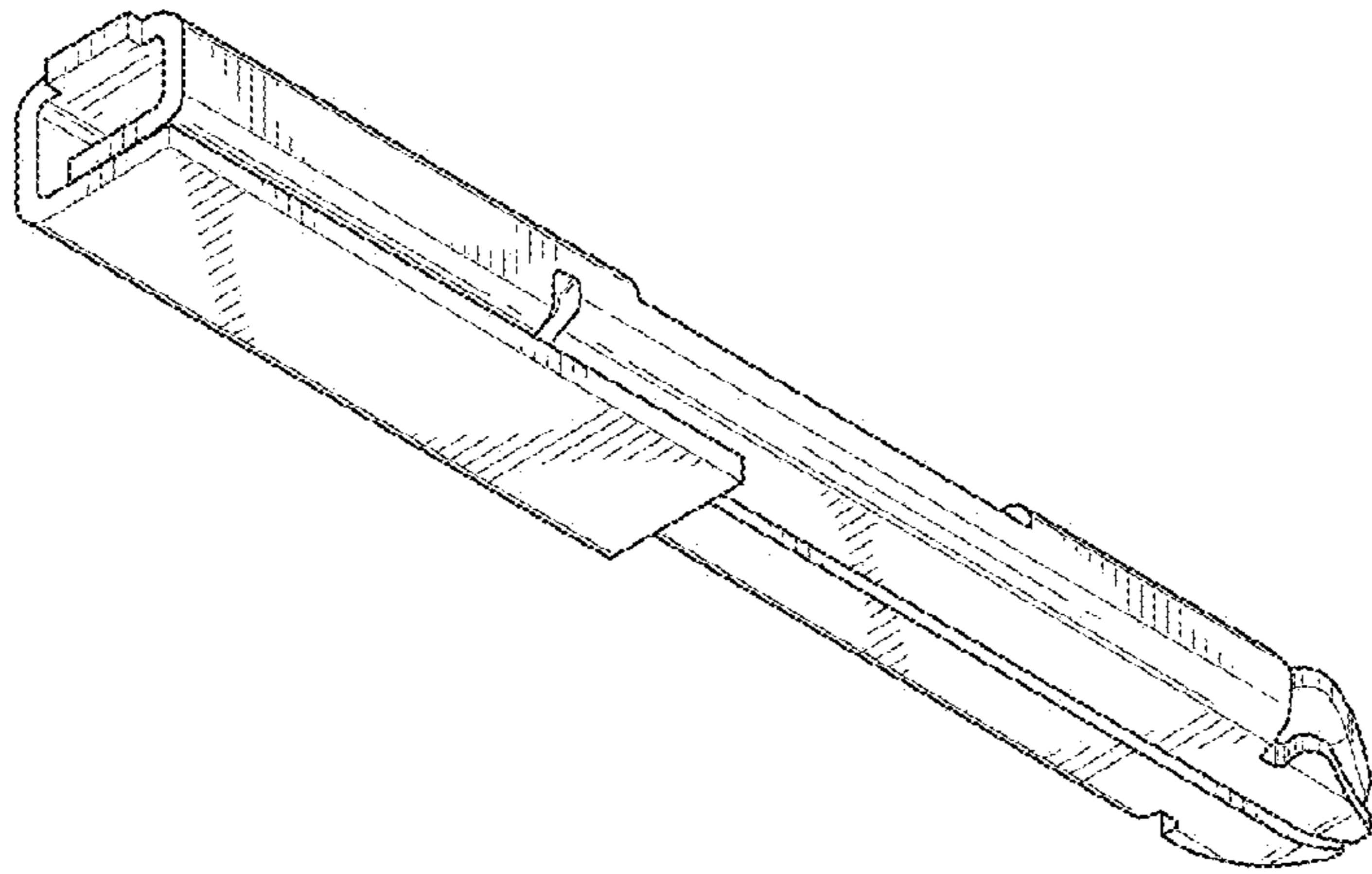


FIG. 4

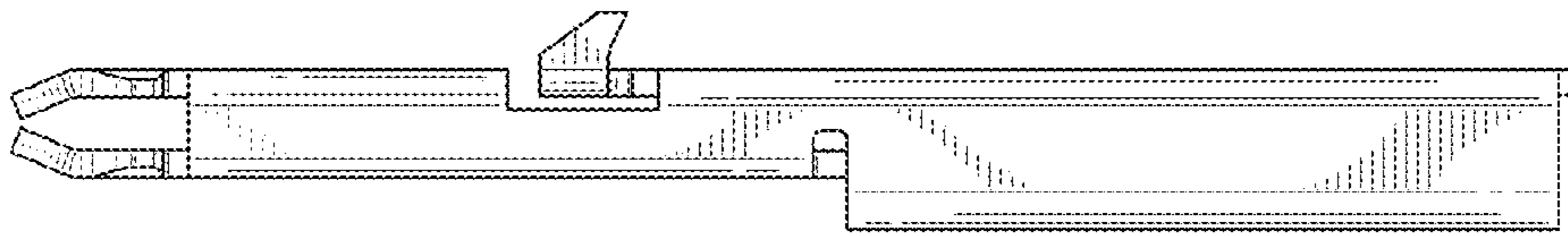


FIG. 5



FIG. 6

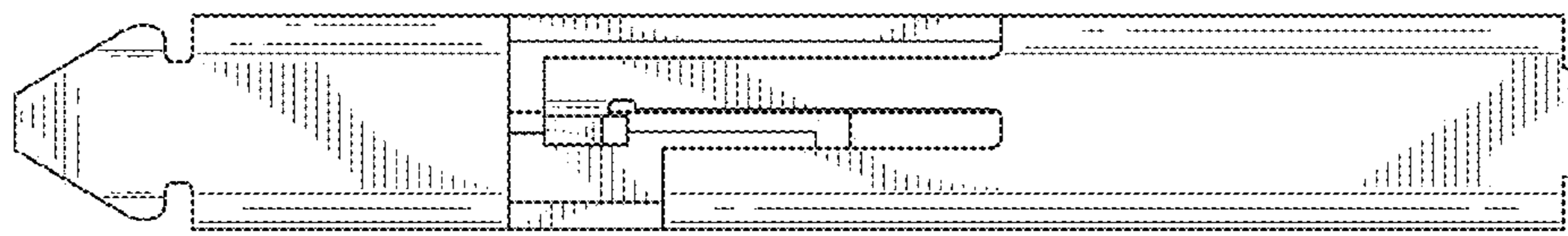


FIG. 7

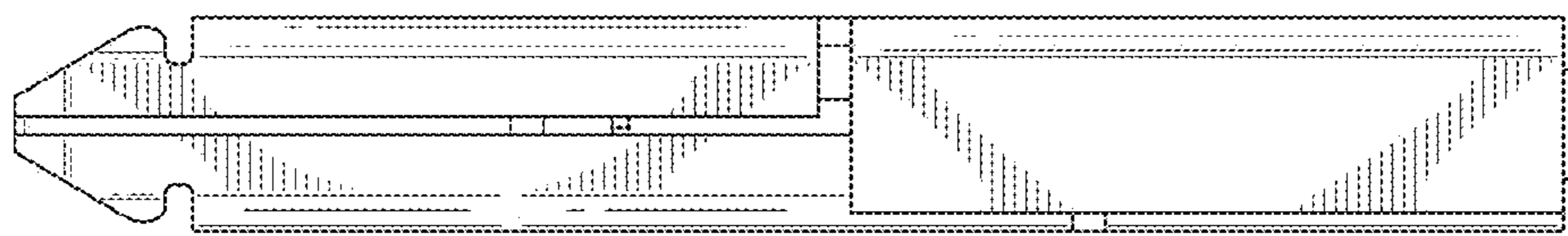


FIG. 8

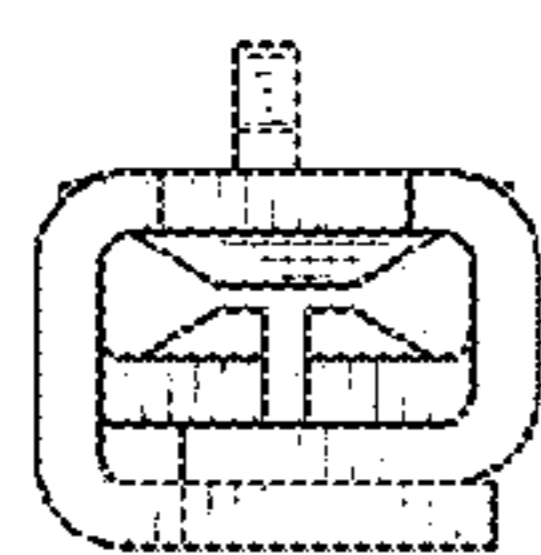


FIG. 9

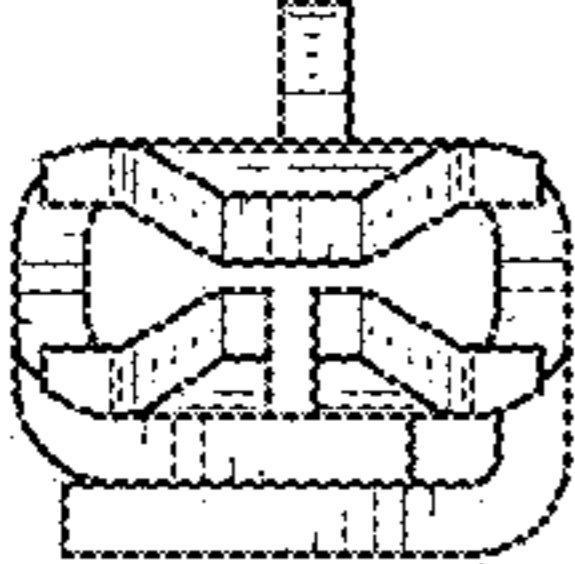


FIG. 10

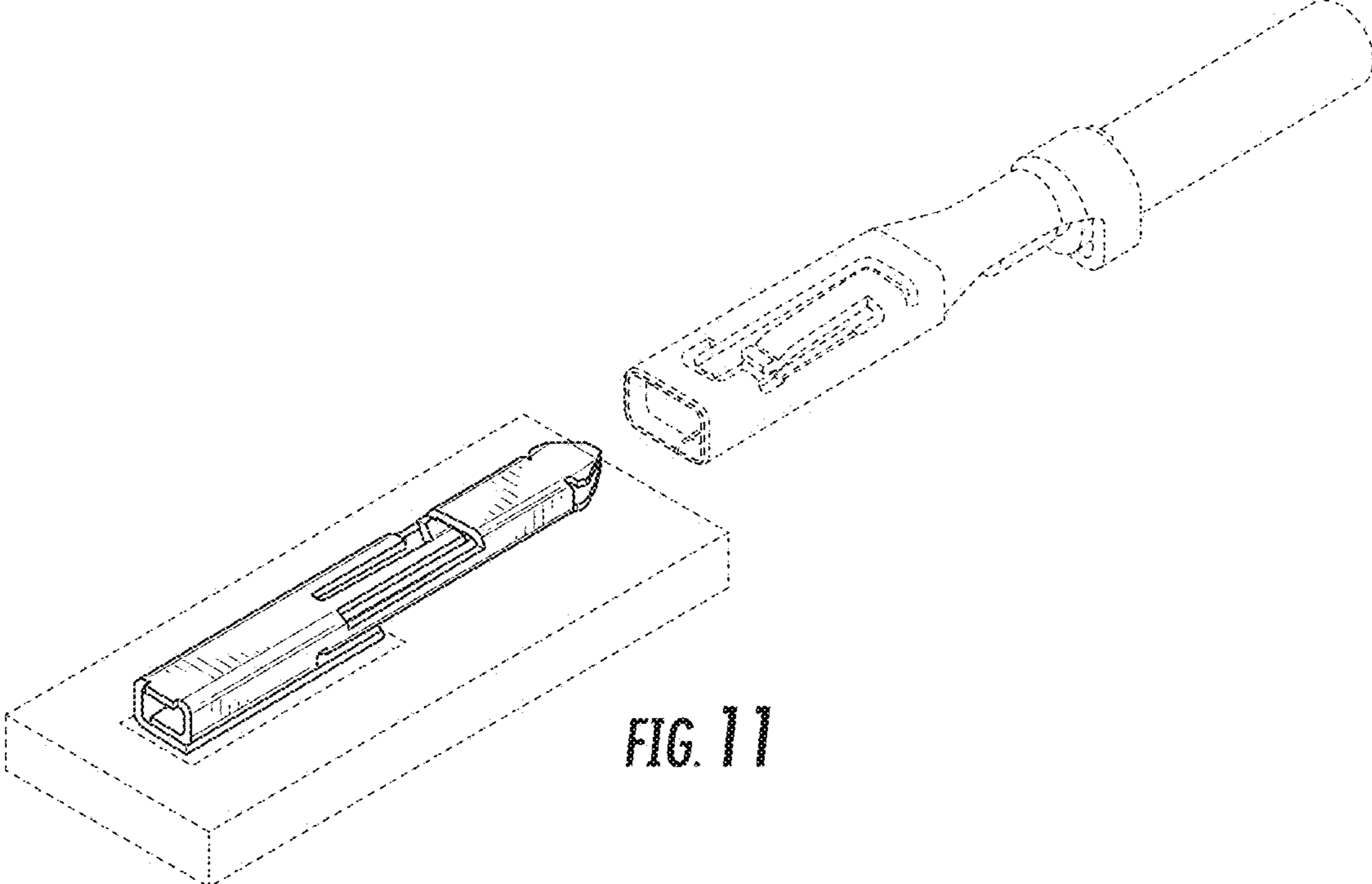


FIG. 11

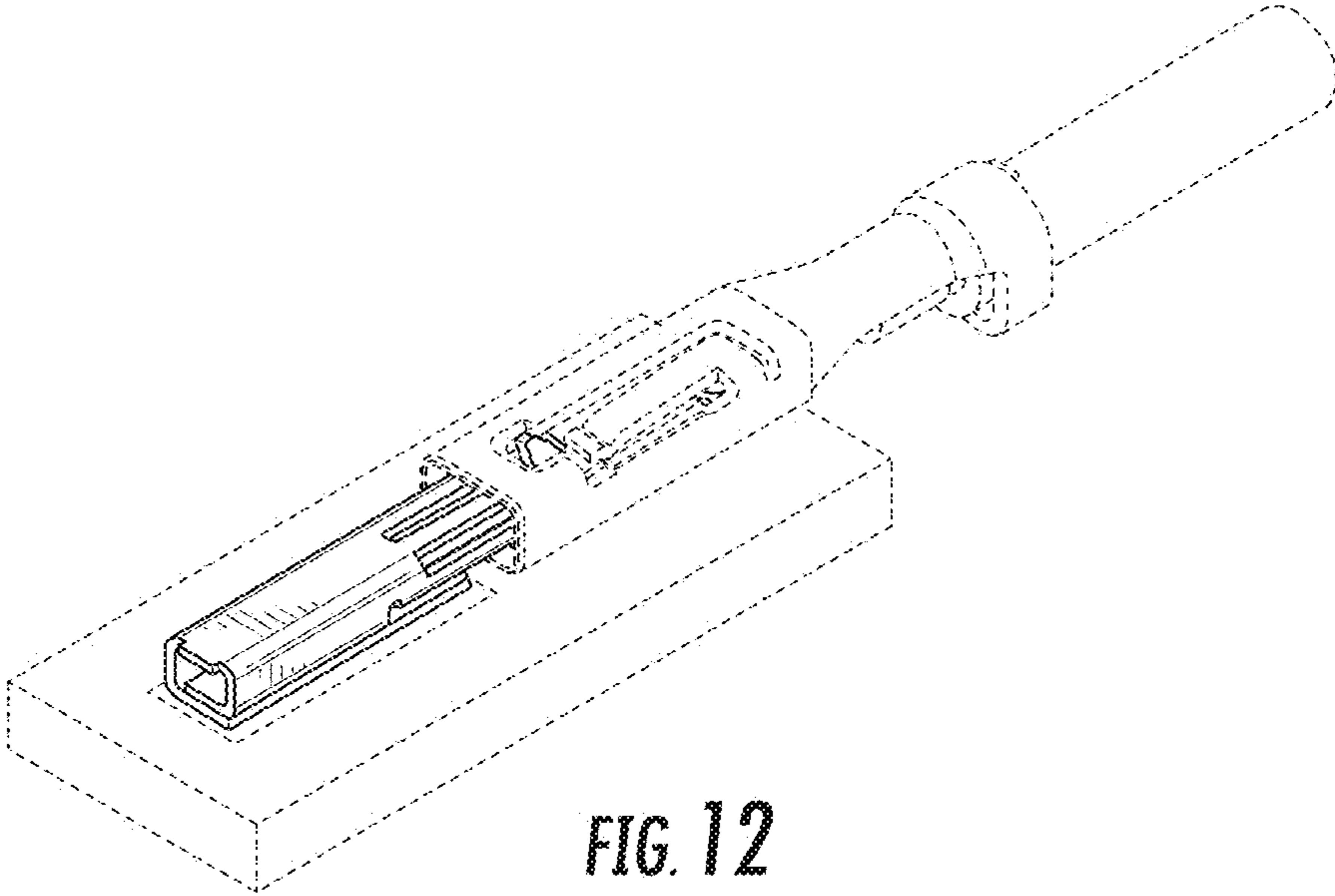


FIG. 12