



US00D751036S

(12) **United States Design Patent**
Svensson et al.

(10) **Patent No.:** **US D751,036 S**
(45) **Date of Patent:** **** Mar. 8, 2016**

(54) **MOTOR**
(71) Applicant: **Höganäs AB**, Höganäs (SE)
(72) Inventors: **Joakim Svensson**, Ängelholm (SE);
Hans Johansson Dahlskog, Vellinge (SE)
(73) Assignee: **Höganäs AB**, Höganäs (SE)
(**) Term: **14 Years**
(21) Appl. No.: **29/446,205**
(22) Filed: **Feb. 21, 2013**
(30) **Foreign Application Priority Data**

Aug. 22, 2012 (EM) 001341176-0001
Aug. 22, 2012 (EM) 001341176-0002
Aug. 22, 2012 (EM) 001341176-0003

(51) **LOC (10) Cl.** **13-01**
(52) **U.S. Cl.**
USPC **D13/112**
(58) **Field of Classification Search**
USPC D13/110, 112, 114, 122, 152, 154, 156,
D13/162, 184; D15/10, 17, 28, 199;
D24/232; D25/199; 310/10, 40 R, 51,
310/58, 85, 89, 91, 236, 239, 254.1
CPC F02B 62/04
See application file for complete search history.

(56) **References Cited**
U.S. PATENT DOCUMENTS

D172,769 S * 8/1954 Sundberg D13/112

D294,141 S * 2/1988 Ueda et al. D13/112
D502,917 S * 3/2005 Bird et al. D13/114
D527,738 S * 9/2006 Pearson, Sr. D15/5
D551,167 S * 9/2007 Kubota et al. D13/112
D625,333 S * 10/2010 Tanaka et al. D15/3
D680,073 S * 4/2013 Bekiarov et al. D13/114

* cited by examiner

Primary Examiner — Derrick Holland
Assistant Examiner — Jennifer O King
(74) *Attorney, Agent, or Firm* — Warner Norcross & Judd
LLP

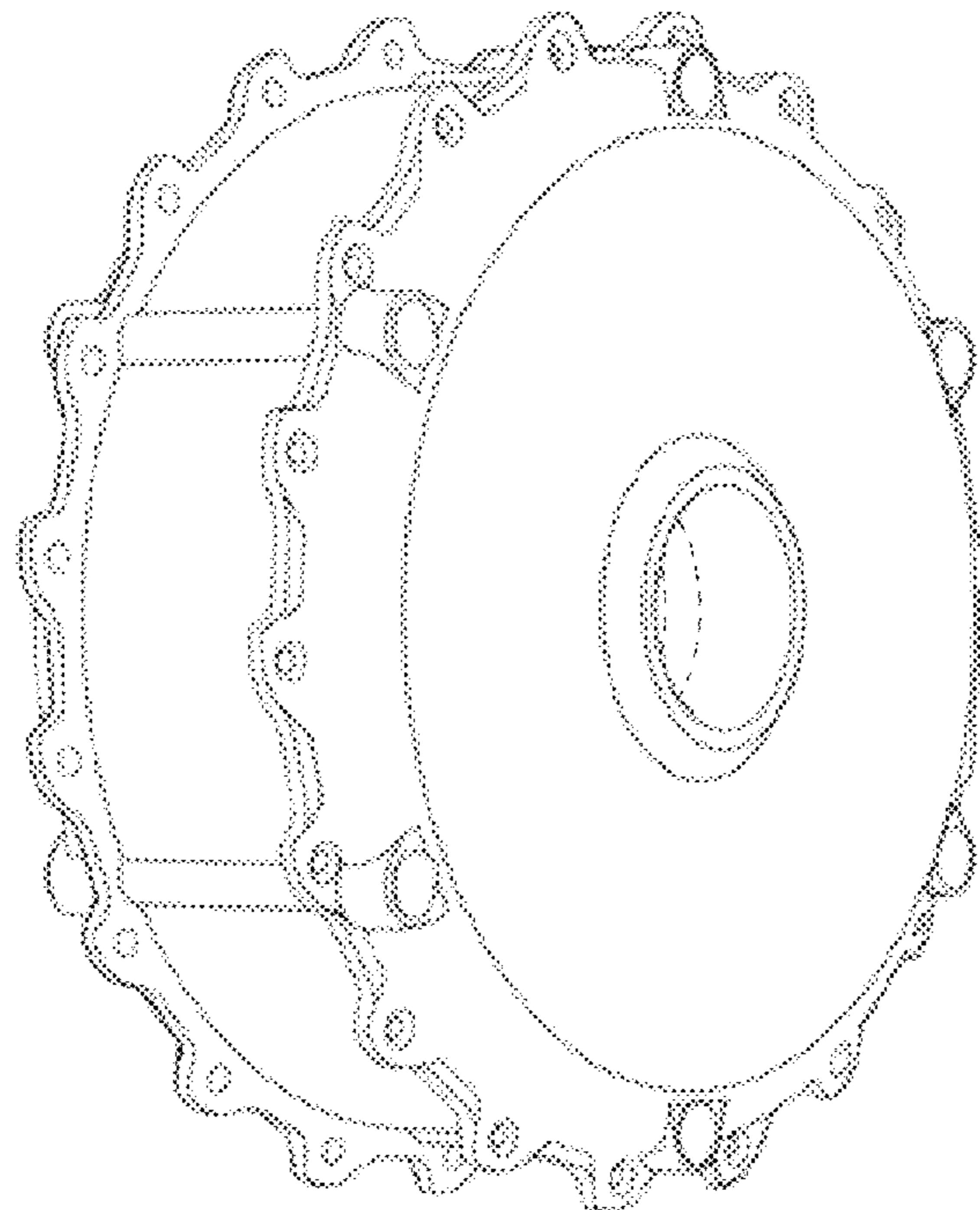
(57) **CLAIM**

The ornamental design for a motor, as shown and described.

DESCRIPTION

FIG. 1 is a front perspective view of a motor showing our new design;
FIG. 2 is a rear perspective view thereof;
FIG. 3 is a front view thereof;
FIG. 4 is a rear view thereof; and,
FIG. 5 is a left side view thereof, the right side being a mirror image thereof.
FIGS. 1, 3 and 4 show portions of the motor in broken lines. The broken lines are for purposes of illustrating environment and form no part of the claimed design.

1 Claim, 5 Drawing Sheets



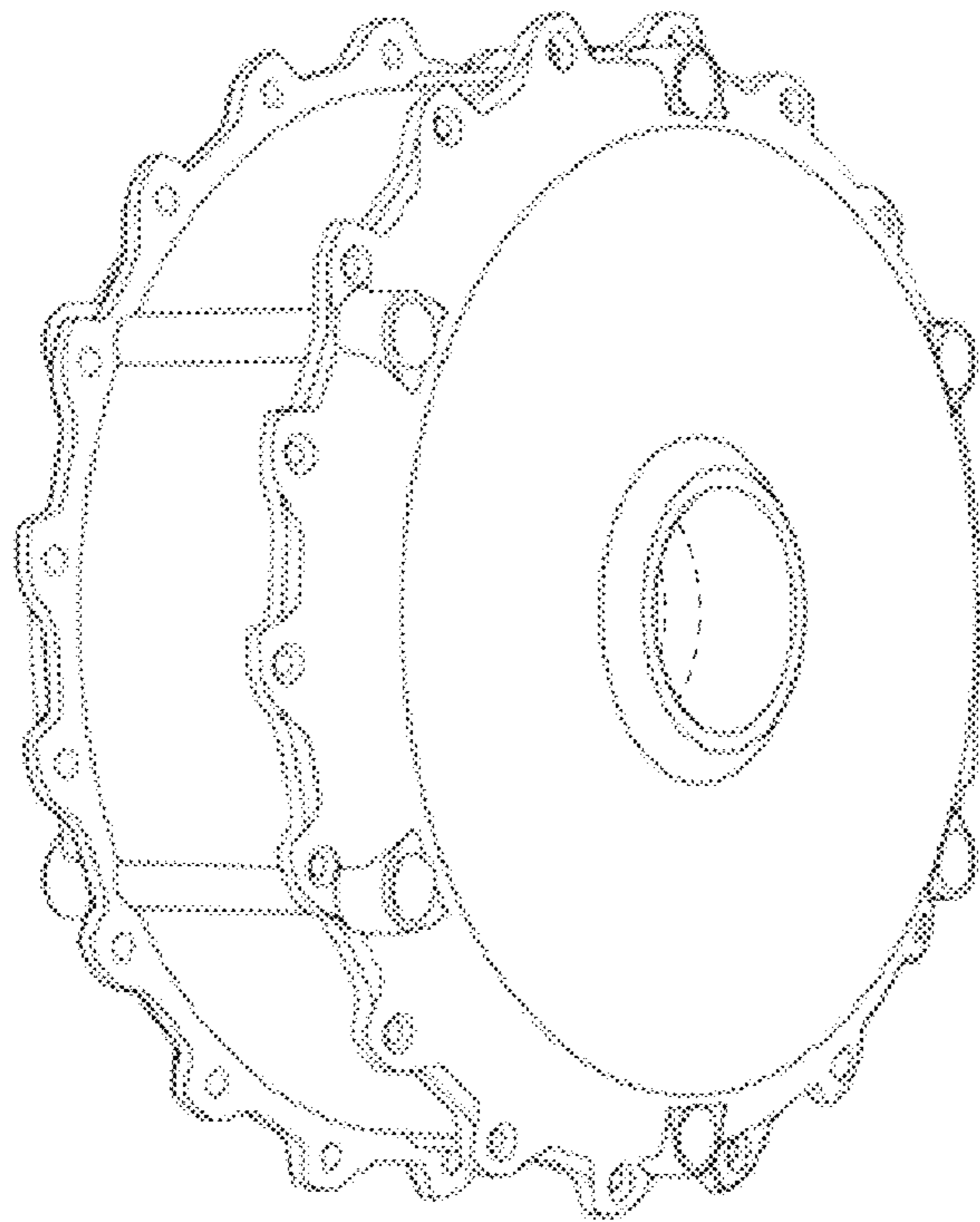


FIG. 1

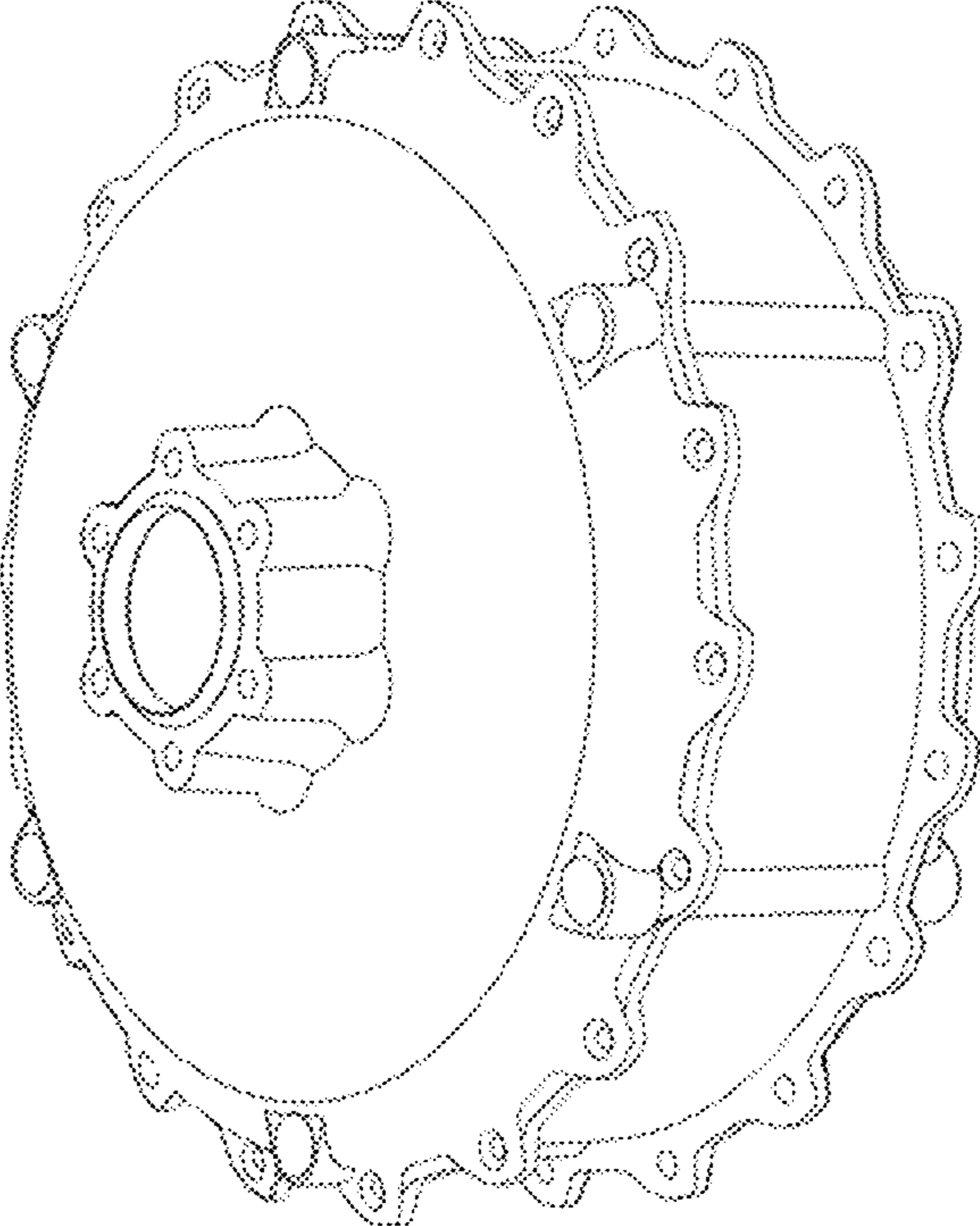


FIG. 2

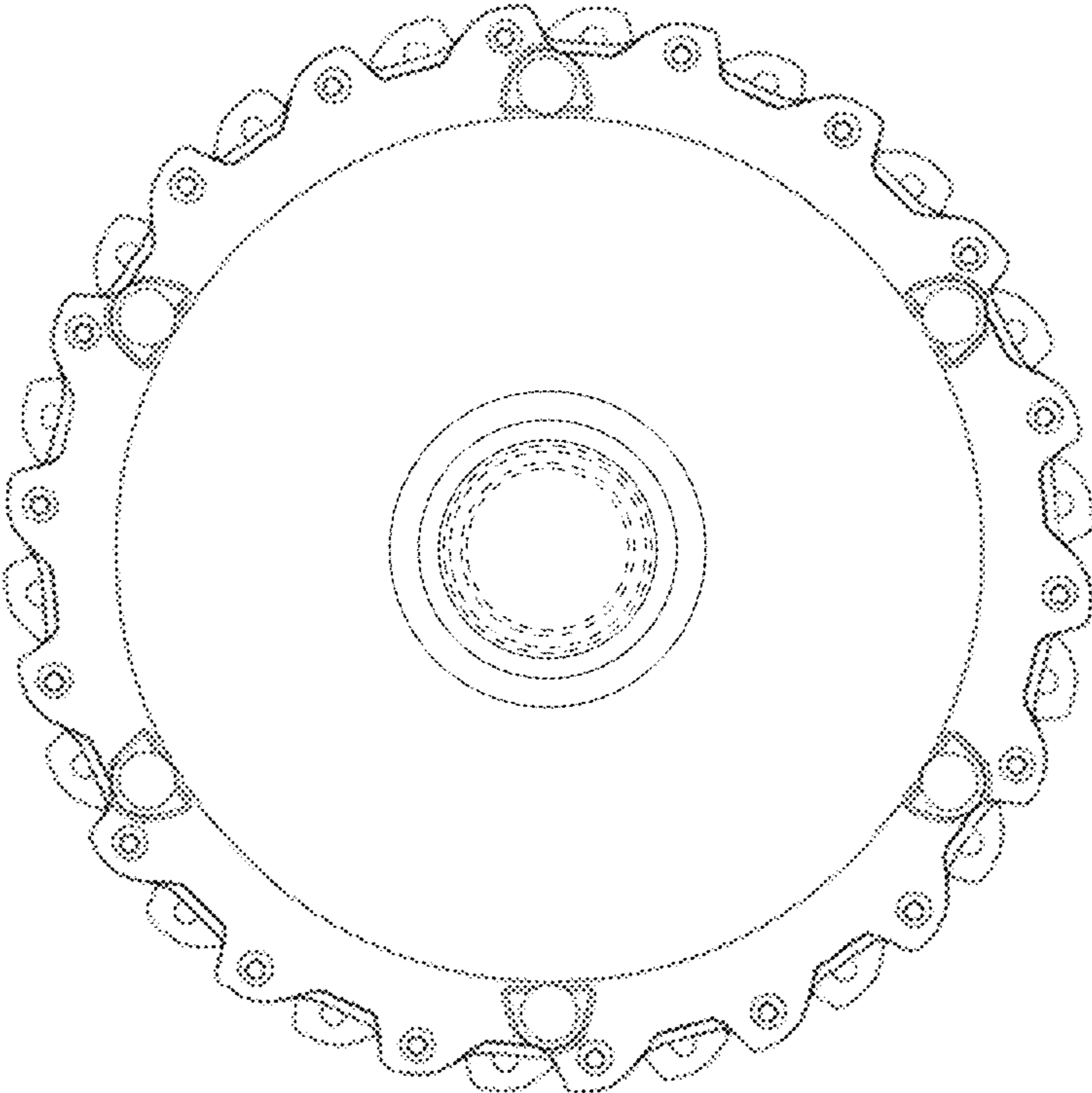


FIG. 3

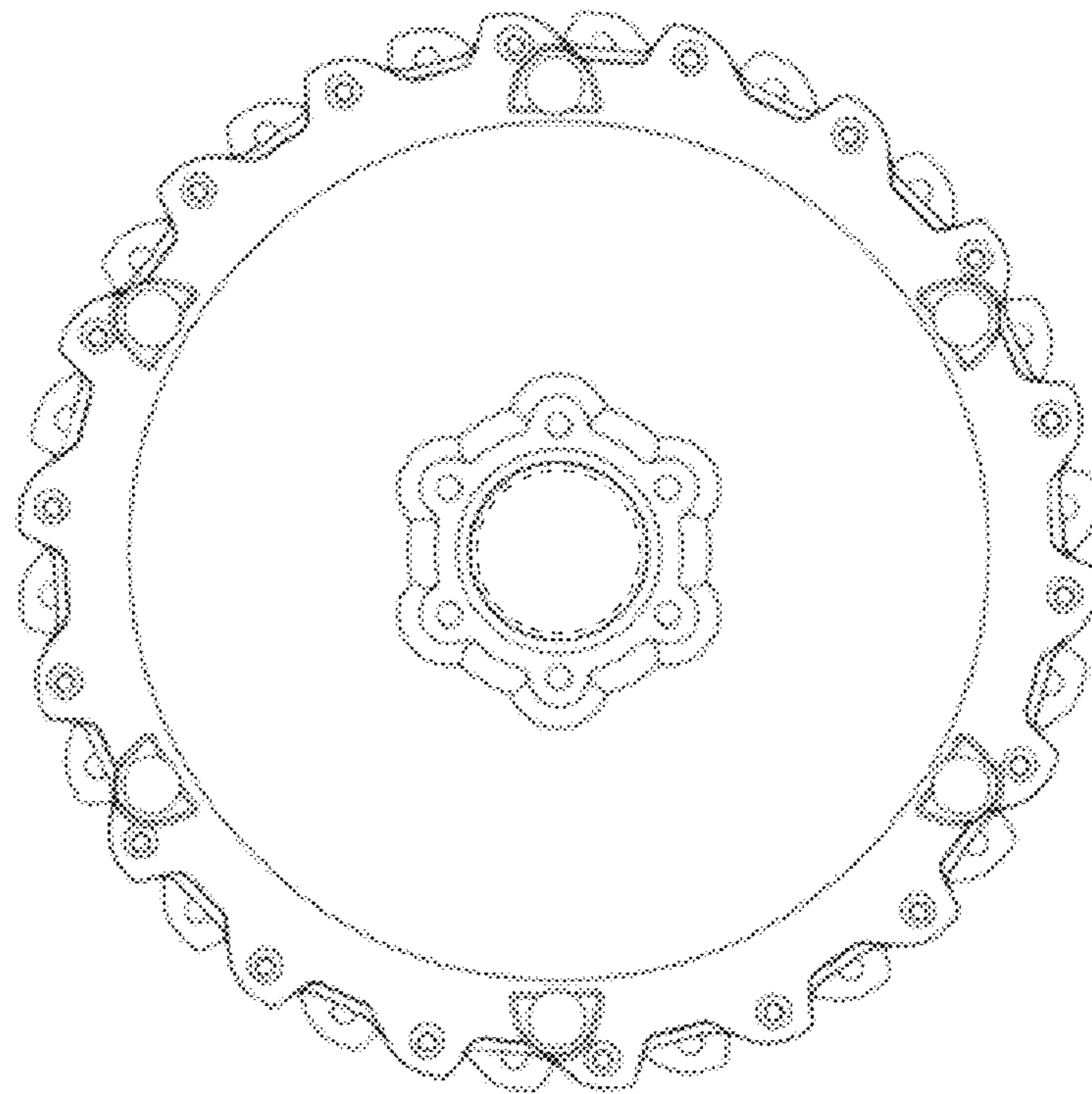


FIG. 4

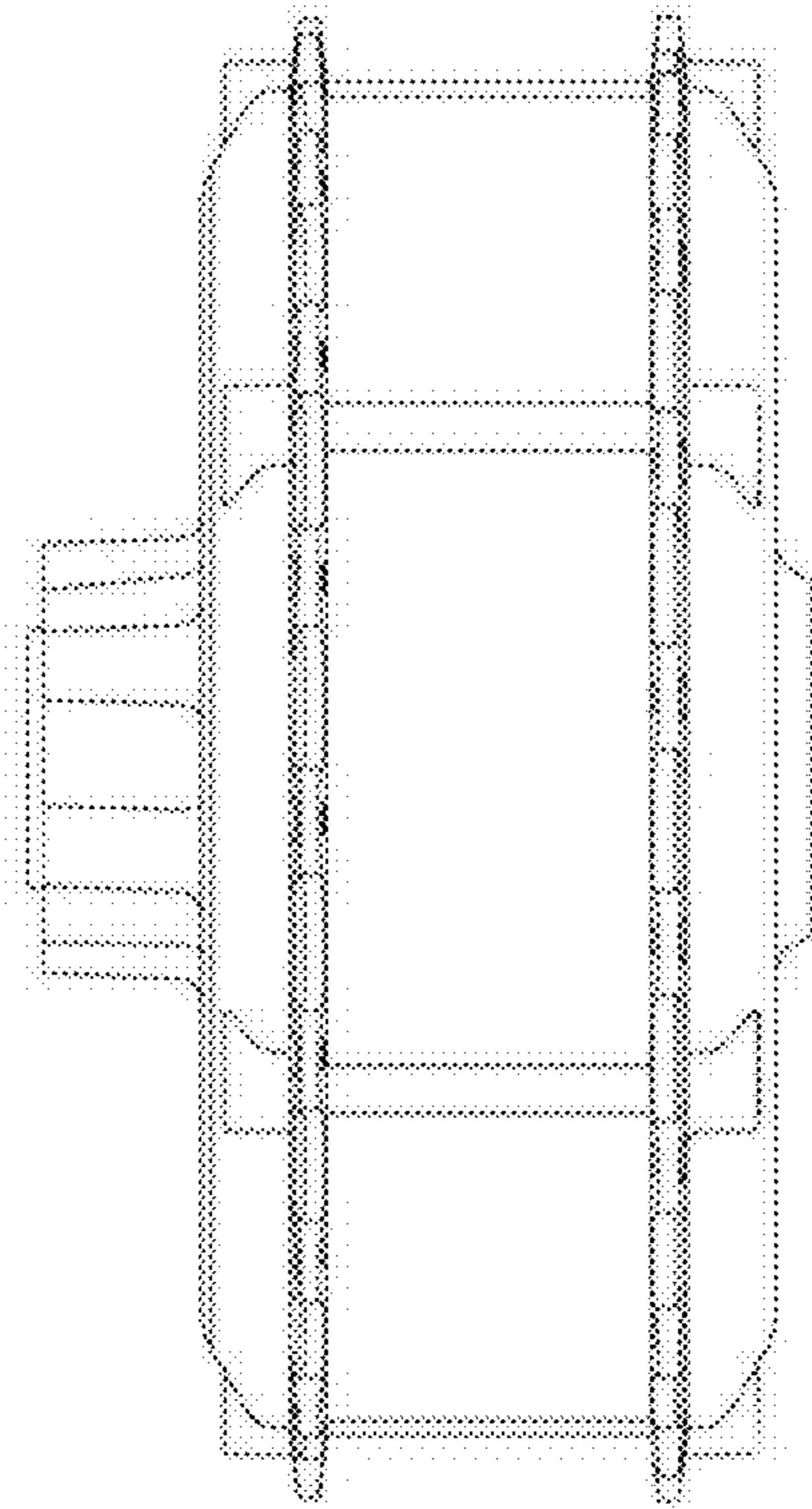


FIG. 5