

US00D751033S

(12) **United States Design Patent**  
**Dessart et al.**

(10) **Patent No.:** **US D751,033 S**  
(45) **Date of Patent:** **\*\* Mar. 8, 2016**

(54) **WELDING POWER SUPPLY FRAME**

(56) **References Cited**

(75) Inventors: **Nicholas James Dessart**, Appleton, WI (US); **Michael Allen Sammons**, Appleton, WI (US); **Jeffrey Michael Herb**, Appleton, WI (US)

U.S. PATENT DOCUMENTS

D240,232 S *	6/1976	Bunnell .....	D14/256
D247,964 S *	5/1978	Thornley .....	D13/162
D366,028 S *	1/1996	Martin et al. ....	D14/352
D514,111 S *	1/2006	Wang et al. ....	D14/444
D638,795 S *	5/2011	Bechtel .....	D13/122
D665,833 S *	8/2012	Raymond et al. ....	D15/144
D706,215 S *	6/2014	Nakahira et al. ....	D13/110
2008/0047522 A1 *	2/2008	Leisner et al. ....	123/198 D
2014/0069905 A1 *	3/2014	Peterson et al. ....	219/136

(73) Assignee: **ILLINOIS TOOL WORKS INC.**, Glenview, IL (US)

(\*\*) Term: **14 Years**

\* cited by examiner

(21) Appl. No.: **29/431,525**

*Primary Examiner* — Derrick Holland

*Assistant Examiner* — Lauren Calve

(22) Filed: **Sep. 7, 2012**

(74) *Attorney, Agent, or Firm* — Fletcher Yoder P.C.

(51) **LOC (10) Cl.** ..... **13-02**

(57) **CLAIM**

(52) **U.S. Cl.**

The ornamental design for a welding power supply frame, as shown and described.

USPC ..... **D13/110; D15/144**

**DESCRIPTION**

(58) **Field of Classification Search**

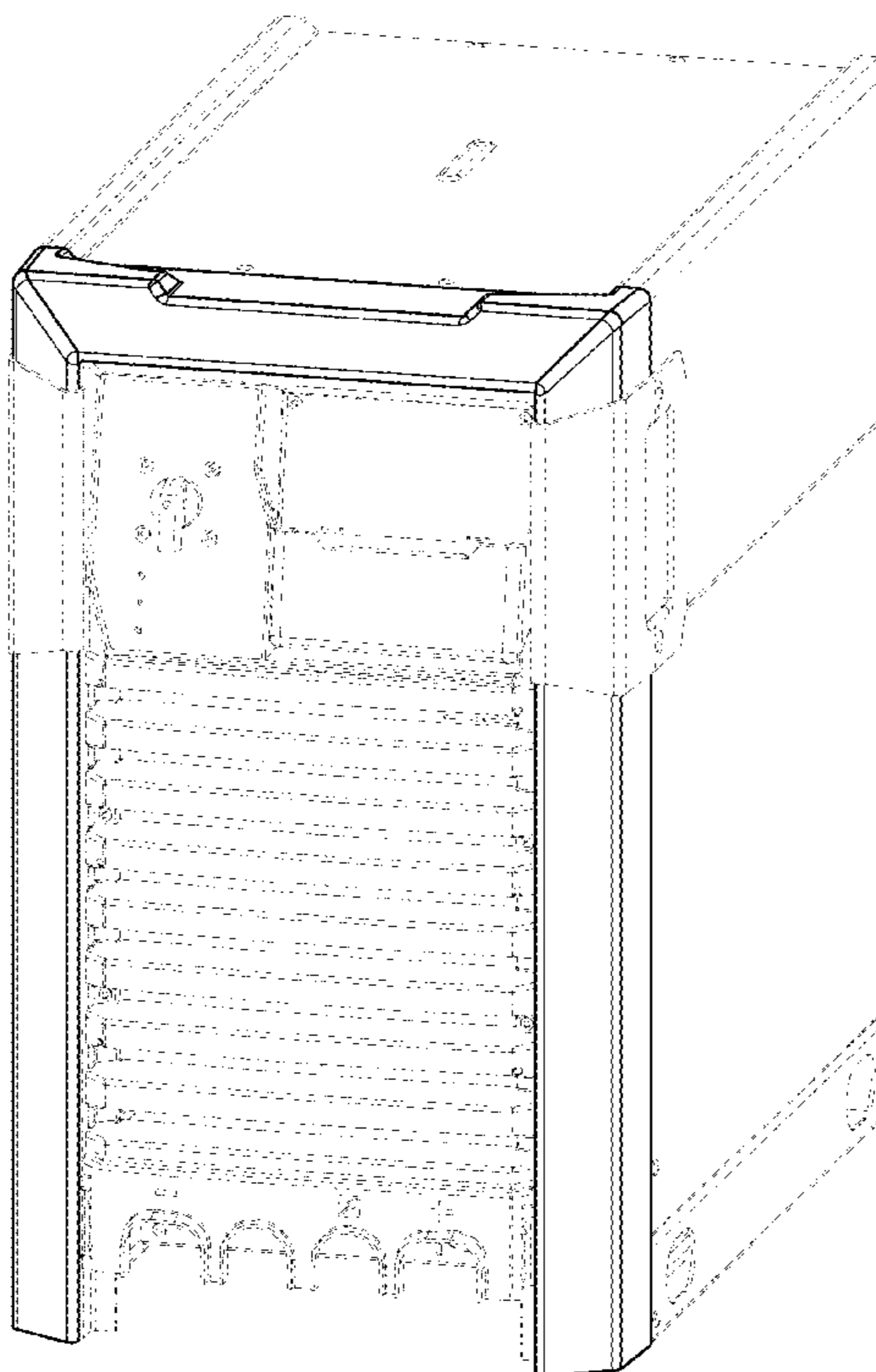
USPC ..... D13/101, 103, 110, 112, 113, 114, 118, D13/121, 122, 133, 137.1, 152, 154, 156, D13/162, 177, 173, 184, 199; D14/300, D14/301, 302, 308, 309–312, 348–355, 370, D14/432, 433, 439, 440, 441, 443–446; D15/144, 144.1, 144.2; 219/125.1, 219/133, 134, 606, 617, 660–671; 174/521, 174/522, 530, 559, 536

FIG. 1 is a perspective view of a welding power supply frame; FIG. 2 is a front view thereof; FIG. 3 is a right side view thereof; FIG. 4 is a left side view thereof; FIG. 5 is a top view thereof; FIG. 6 is a bottom view thereof; and, FIG. 7 is a rear view thereof.

The broken lines shown in FIGS. 1 through 7 represent unclaimed subject matter and form no part of the claimed ornamental design.

See application file for complete search history.

**1 Claim, 7 Drawing Sheets**



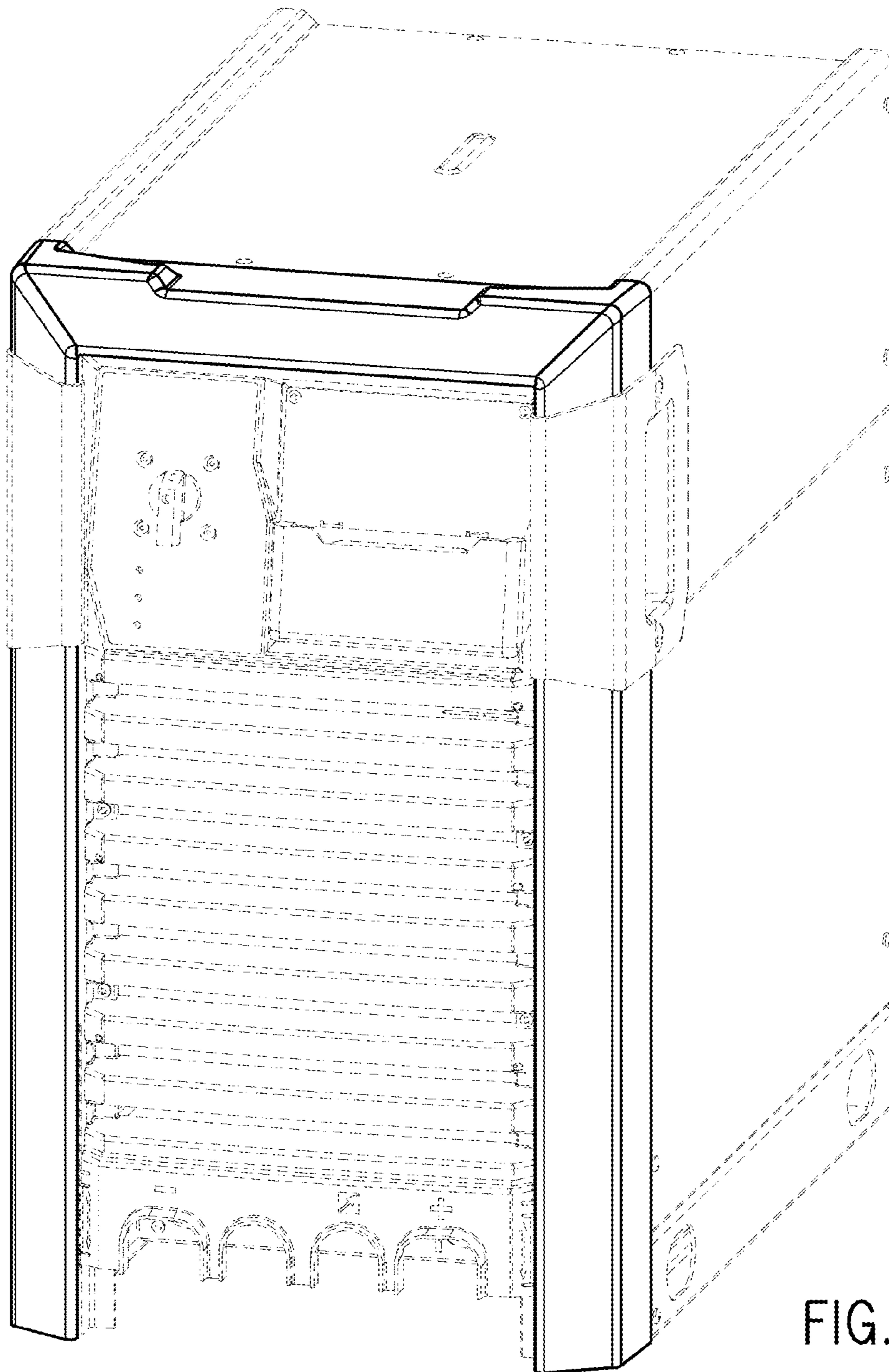


FIG. 1

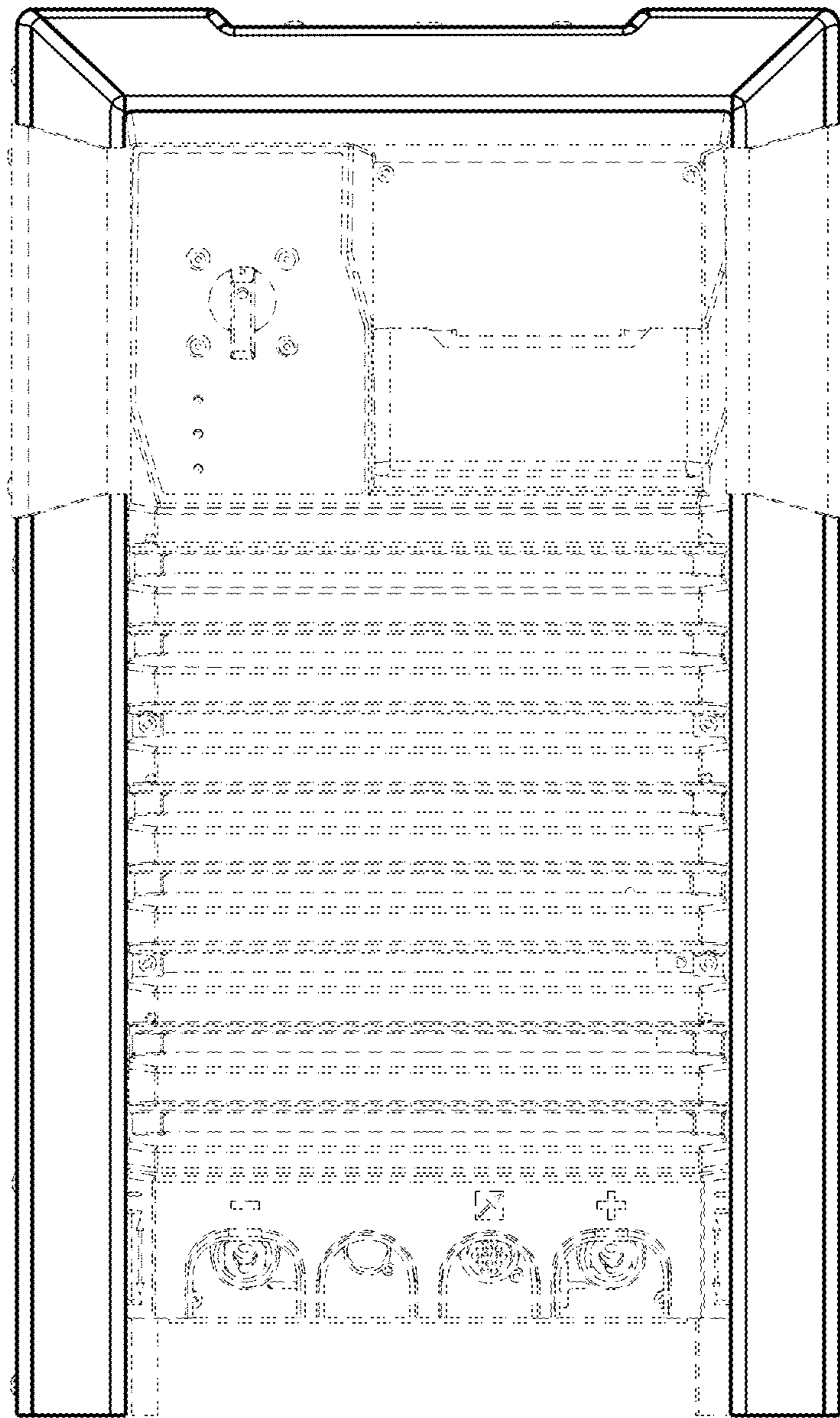


FIG. 2

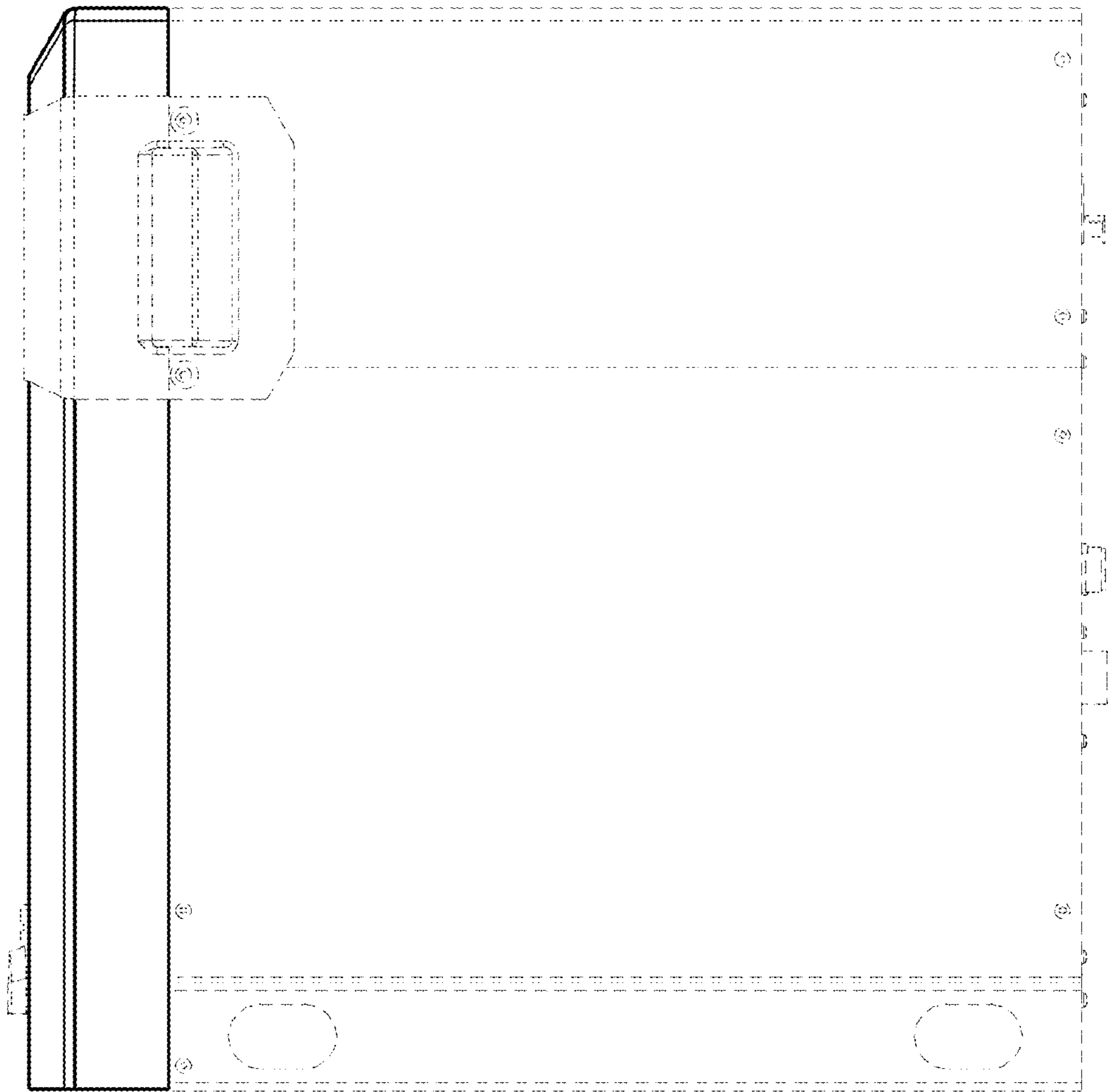


FIG. 3

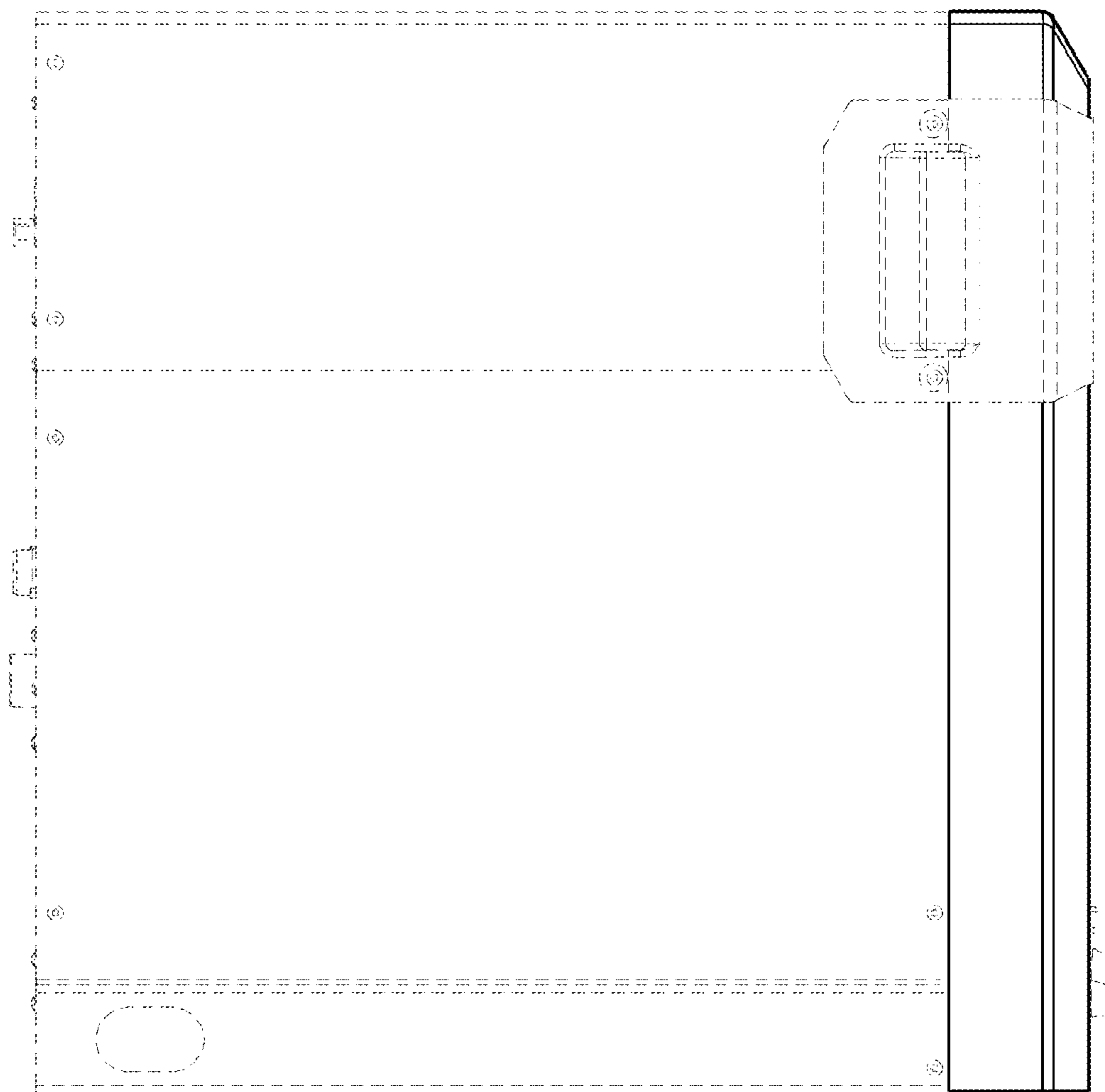


FIG. 4

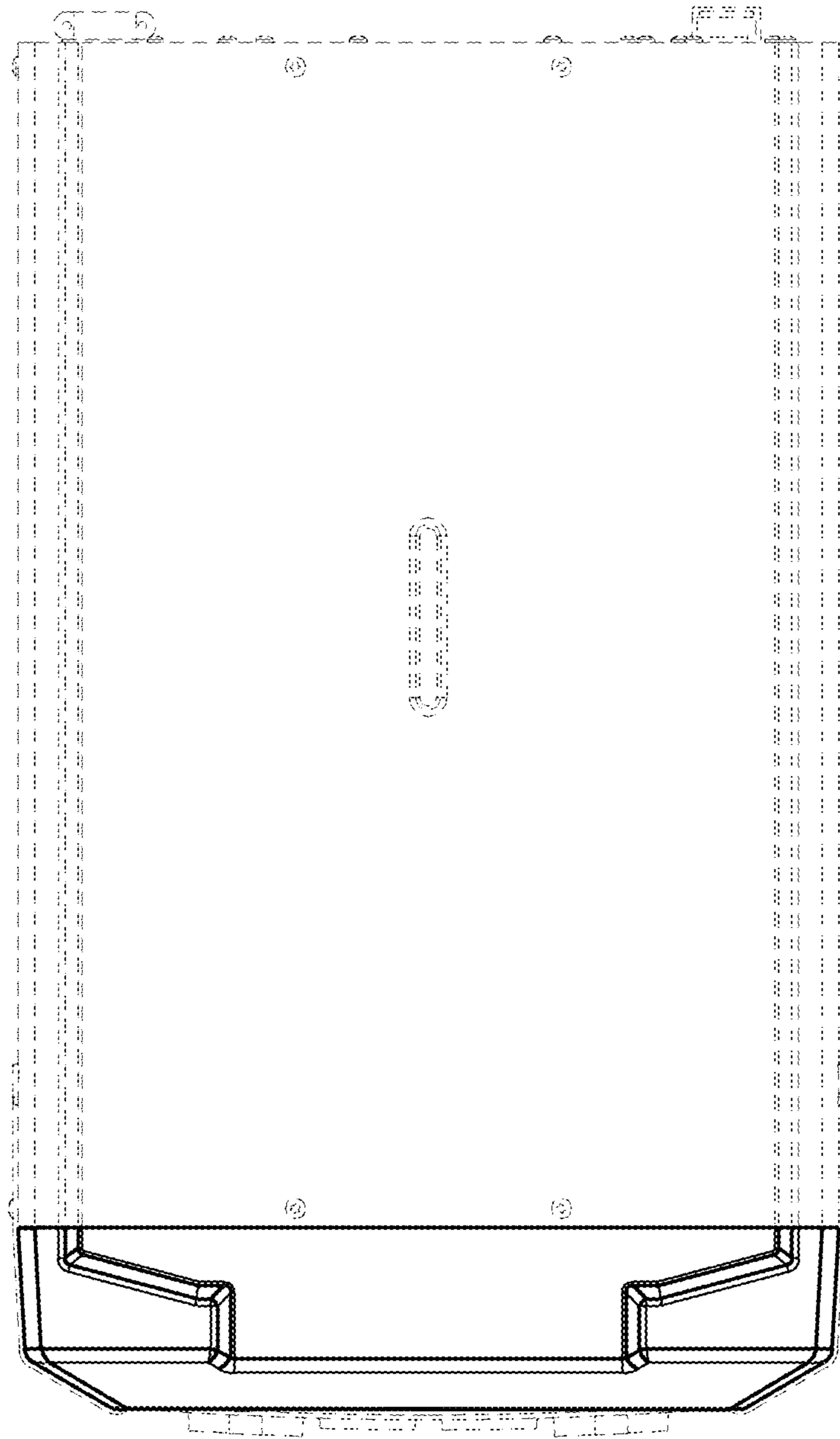


FIG. 5

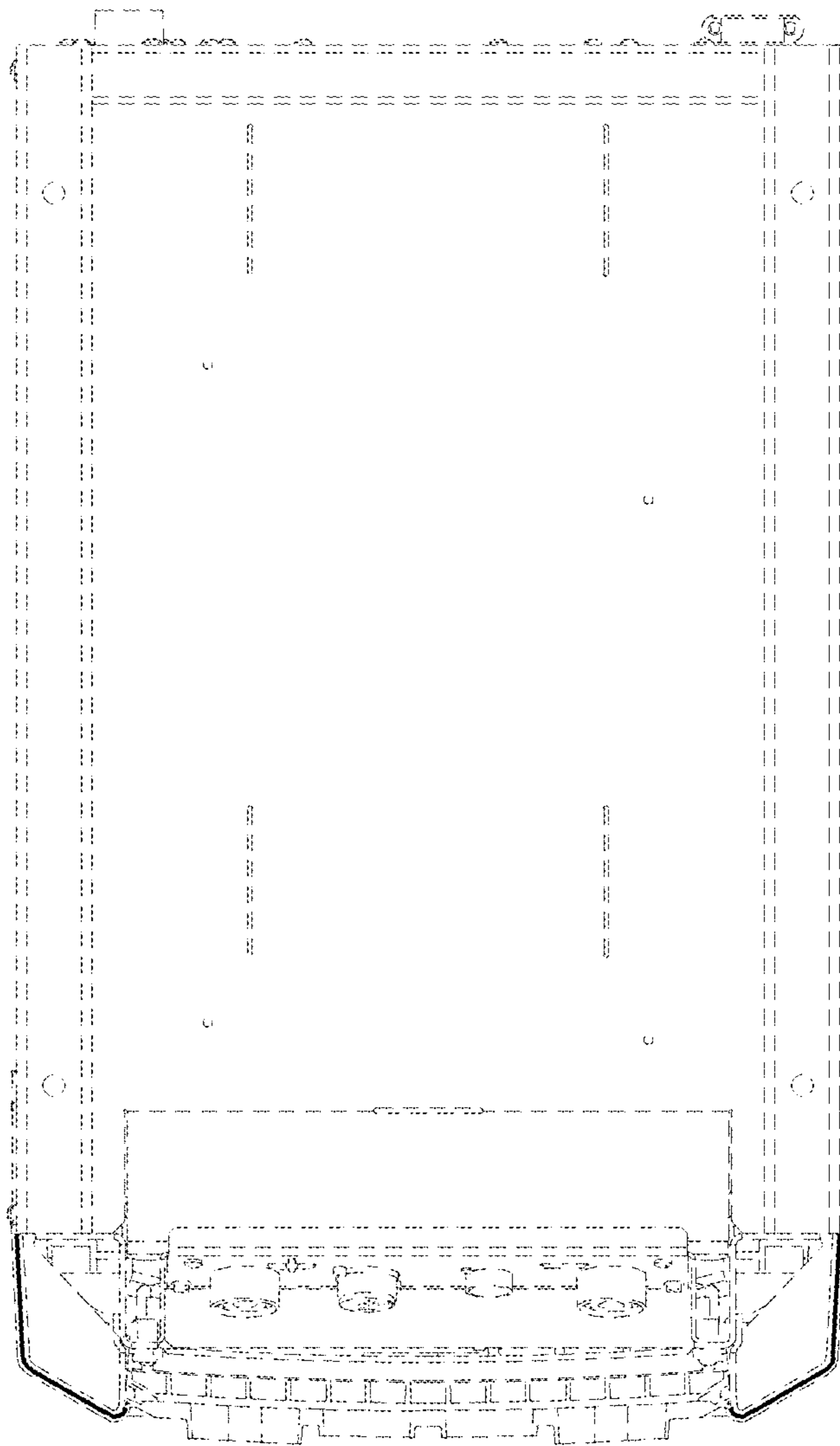


FIG. 6

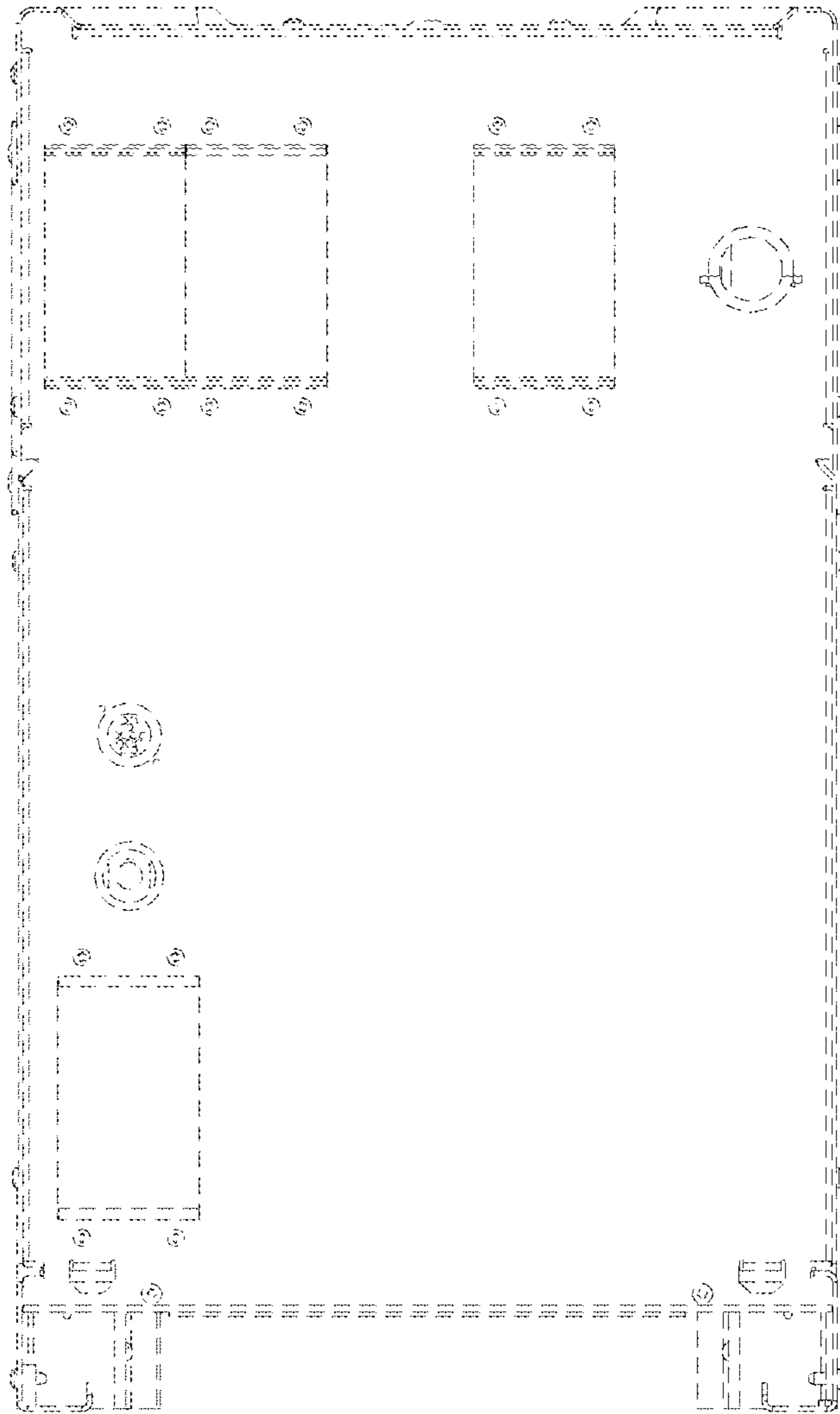


FIG. 7