



US00D751027S

(12) **United States Design Patent**  
**Kasparian et al.**

(10) **Patent No.:** **US D751,027 S**  
(45) **Date of Patent:** **\*\* Mar. 8, 2016**

- (54) **COCKPIT USER INPUT DEVICE**
- (71) Applicant: **Gulfstream Aerospace Corporation**,  
Savannah, GA (US)
- (72) Inventors: **Aram Kasparian**, Savannah, GA (US);  
**Andrew Fulford**, Northville, MI (US)
- (73) Assignee: **Gulfstream Aerospace Corporation**,  
Savannah, GA (US)
- (\*\*) Term: **14 Years**
- (21) Appl. No.: **29/506,118**
- (22) Filed: **Oct. 13, 2014**
- (51) **LOC (10) Cl.** ..... **12-07**
- (52) **U.S. Cl.**  
USPC ..... **D12/345**
- (58) **Field of Classification Search**  
USPC ..... D6/336, 384, 653, 654, 665, 657, 663,  
D6/672, 573; D7/602, 603, 614; D12/319,  
D12/323, 325, 336, 345, 192, 423, 415, 416,  
D12/179, 180, 182; D21/436, 447, 448,  
D21/449, 453; D15/28; D14/412-416  
CPC ..... B64C 13/04; B64D 11/0007; B64D  
11/0015; B64D 11/003; B64D 11/04; B64D  
2011/0046; B64D 11/0629; B64B 1/10  
See application file for complete search history.

- D682,771 S \* 5/2013 Amante ..... D12/192
- D694,168 S \* 11/2013 Yates ..... D12/345
- 8,590,843 B2 \* 11/2013 Biest ..... B64C 13/04  
244/118.5
- D701,486 S \* 3/2014 Yates ..... D12/345
- D730,805 S \* 6/2015 Tran ..... D12/192
- D734,335 S \* 7/2015 Jensen ..... D14/415
- 2006/0044269 A1 \* 3/2006 Bloch ..... G05G 5/05  
345/161
- 2008/0011905 A1 \* 1/2008 Guering ..... B64C 13/04  
244/228
- 2009/0200116 A1 \* 8/2009 Wiggins ..... B66F 9/20  
187/224
- 2011/0303038 A1 \* 12/2011 Peterson ..... B64C 13/04  
74/471 XY
- 2012/0085870 A1 \* 4/2012 Coote ..... B60N 2/4693  
244/234
- 2013/0256463 A1 \* 10/2013 Antraygue ..... B64C 13/04  
244/234

\* cited by examiner

*Primary Examiner* — Robert M Spear

*Assistant Examiner* — Marissa J Cash

(74) *Attorney, Agent, or Firm* — Ingrassia, Fisher & Lorenz  
PC

(57) **CLAIM**

The ornamental design for a cockpit user input device, as shown and described.

**DESCRIPTION**

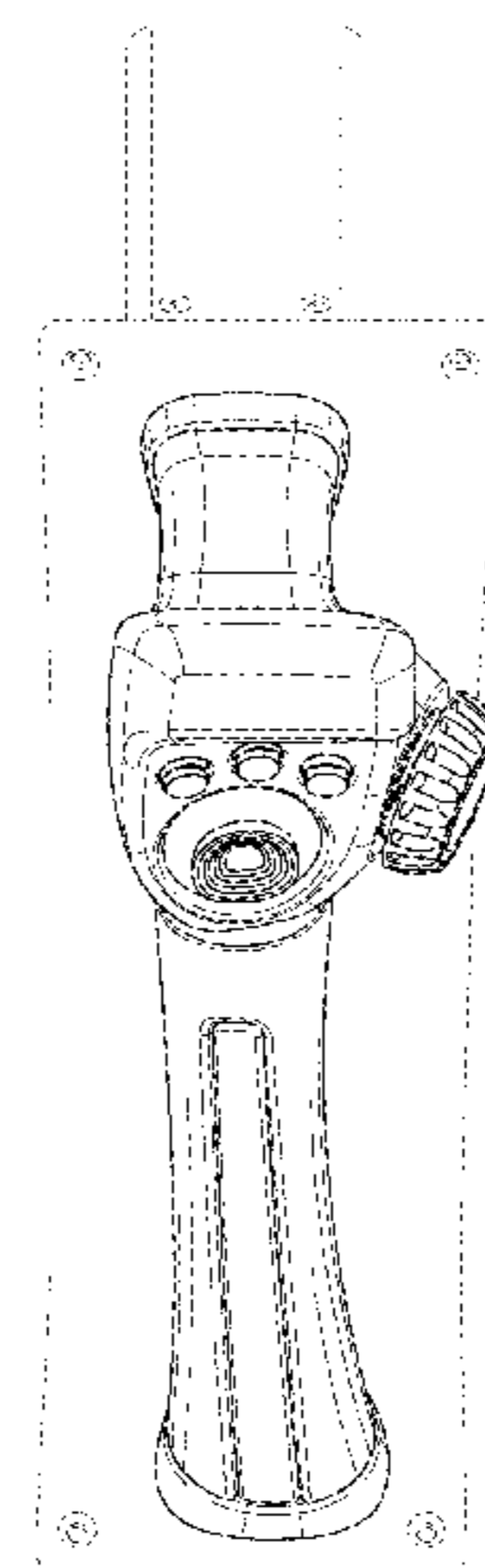
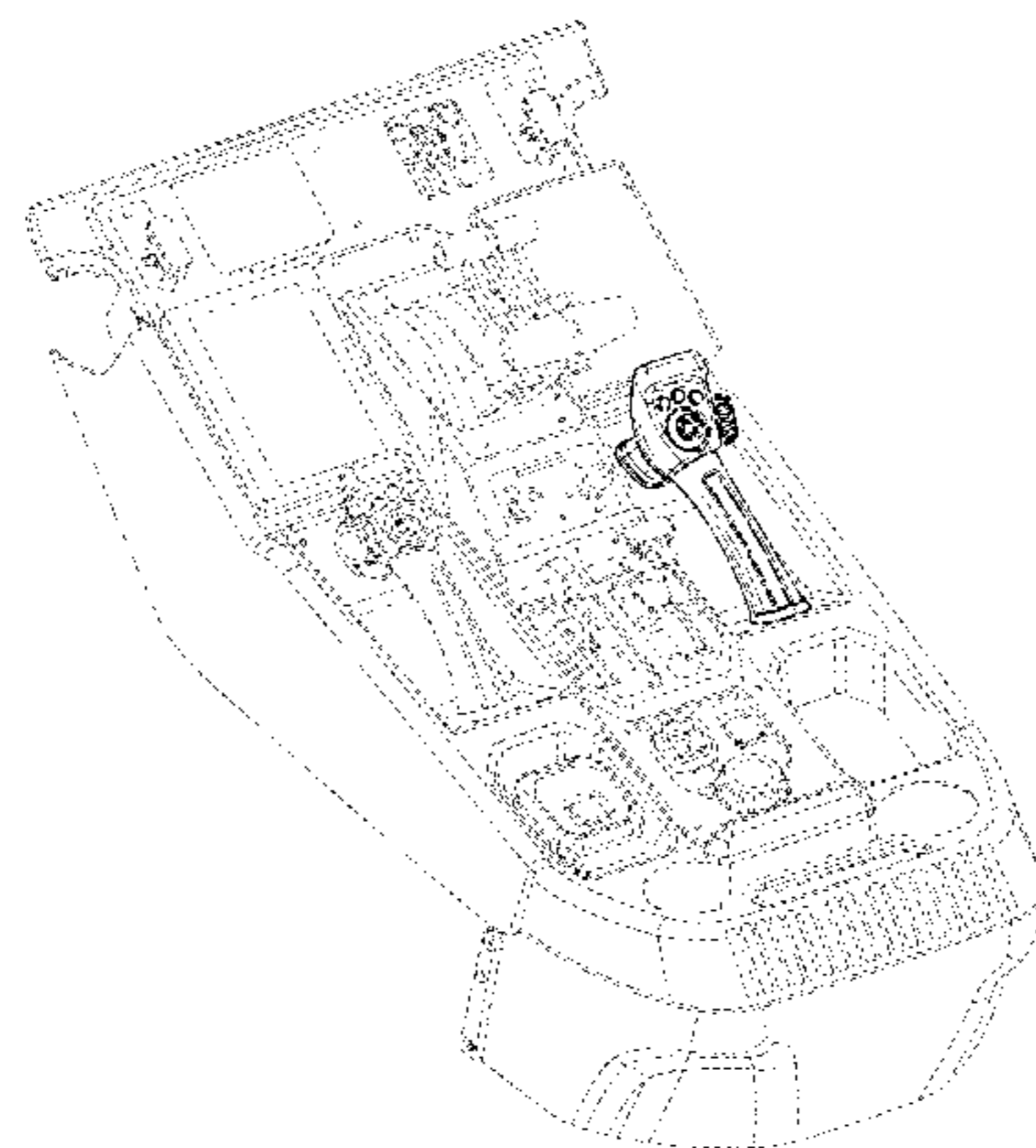
FIG. 1 is a front perspective view of a cockpit user input device showing our new design;  
 FIG. 2 is a top view of the cockpit input device, with some environmental structure removed for clarity of disclosure; the bottom view forming no part of the claimed design.  
 FIG. 3 is a first side view thereof;  
 FIG. 4 is a second side view thereof;  
 FIG. 5 is a back view thereof; and,  
 FIG. 6 is a front view thereof.  
 The broken lines illustrate structure and environment that form no part of the claimed design.

**1 Claim, 6 Drawing Sheets**

(56) **References Cited**

U.S. PATENT DOCUMENTS

- D481,658 S \* 11/2003 Ryan ..... D12/179
- D501,811 S \* 2/2005 Fukuda ..... D12/192
- D559,749 S \* 1/2008 Barbieri ..... D12/179
- D595,744 S \* 7/2009 Umeda ..... D15/28
- D613,232 S \* 4/2010 Guering ..... D12/345
- D613,668 S \* 4/2010 Guering ..... D12/345
- D640,180 S \* 6/2011 Moneypenny ..... D12/345
- D641,674 S \* 7/2011 Kim ..... D12/192
- D656,073 S \* 3/2012 Foerster ..... D12/179
- D671,565 S \* 11/2012 Kinoshita ..... D15/28
- D675,555 S \* 2/2013 Ouellette ..... D12/345



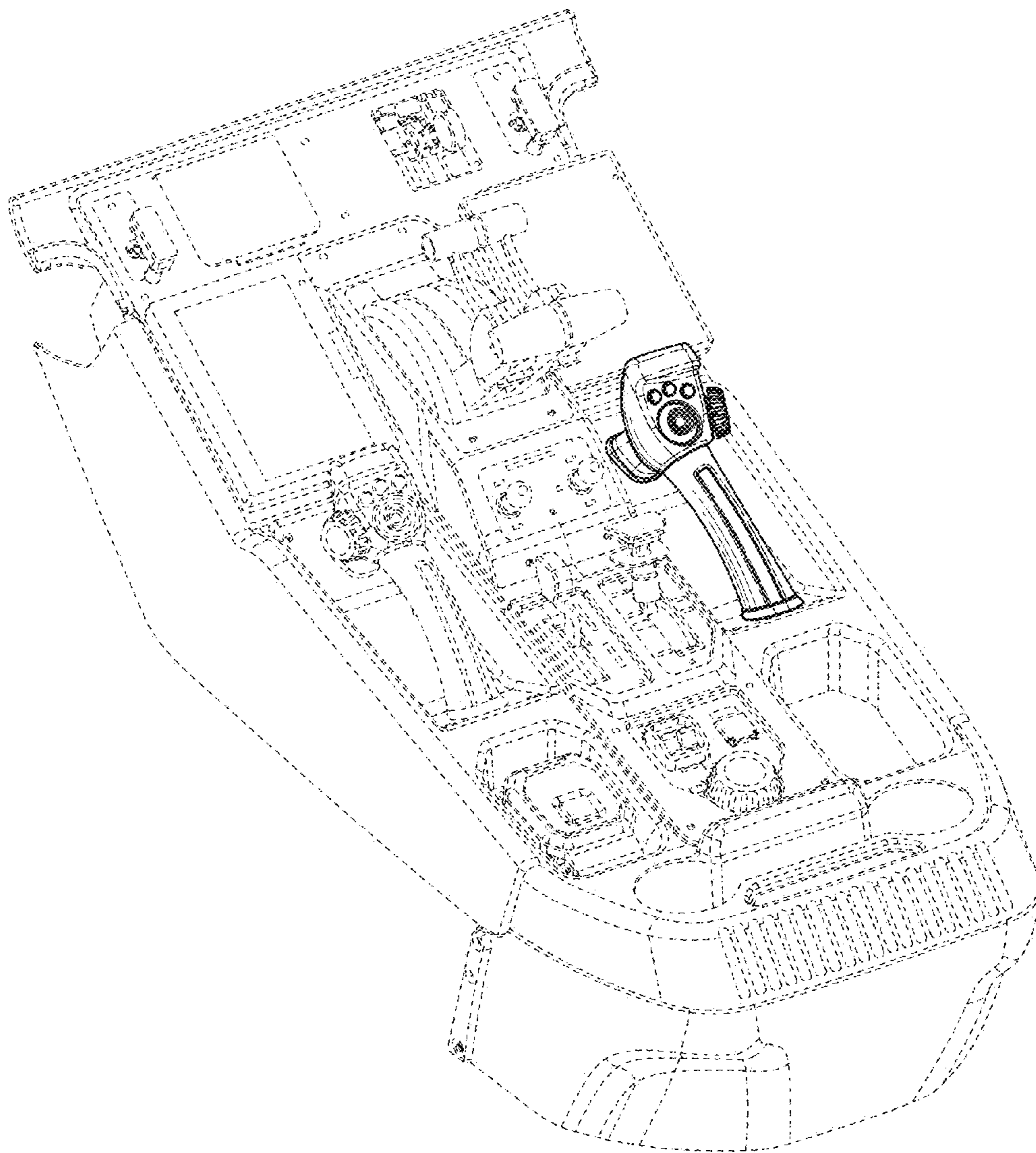


FIG. 1

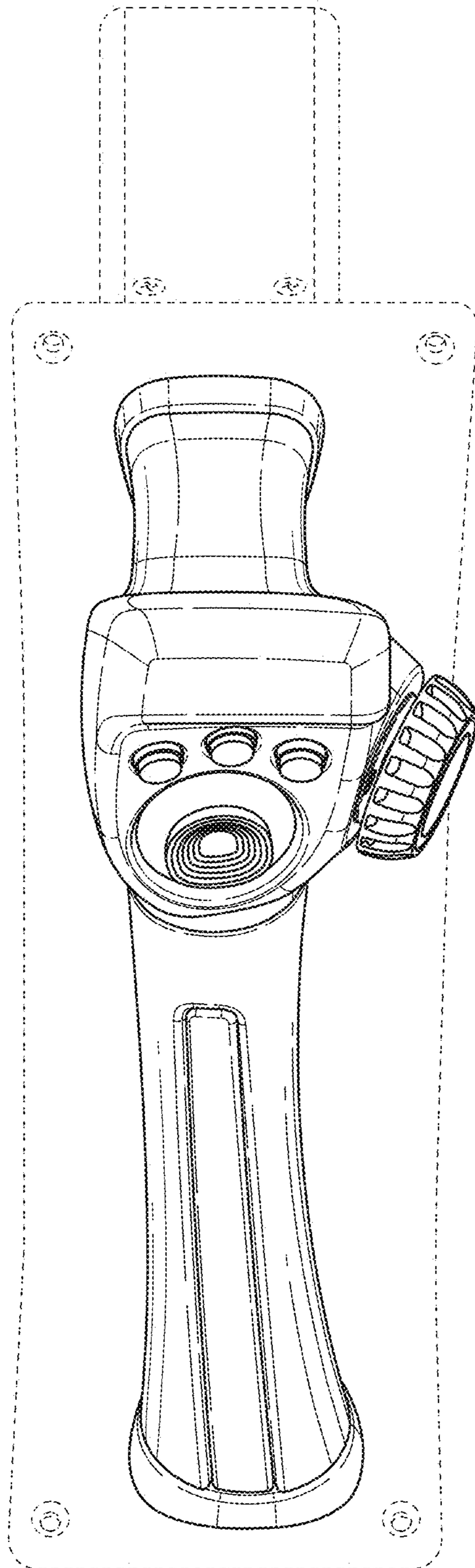


FIG. 2

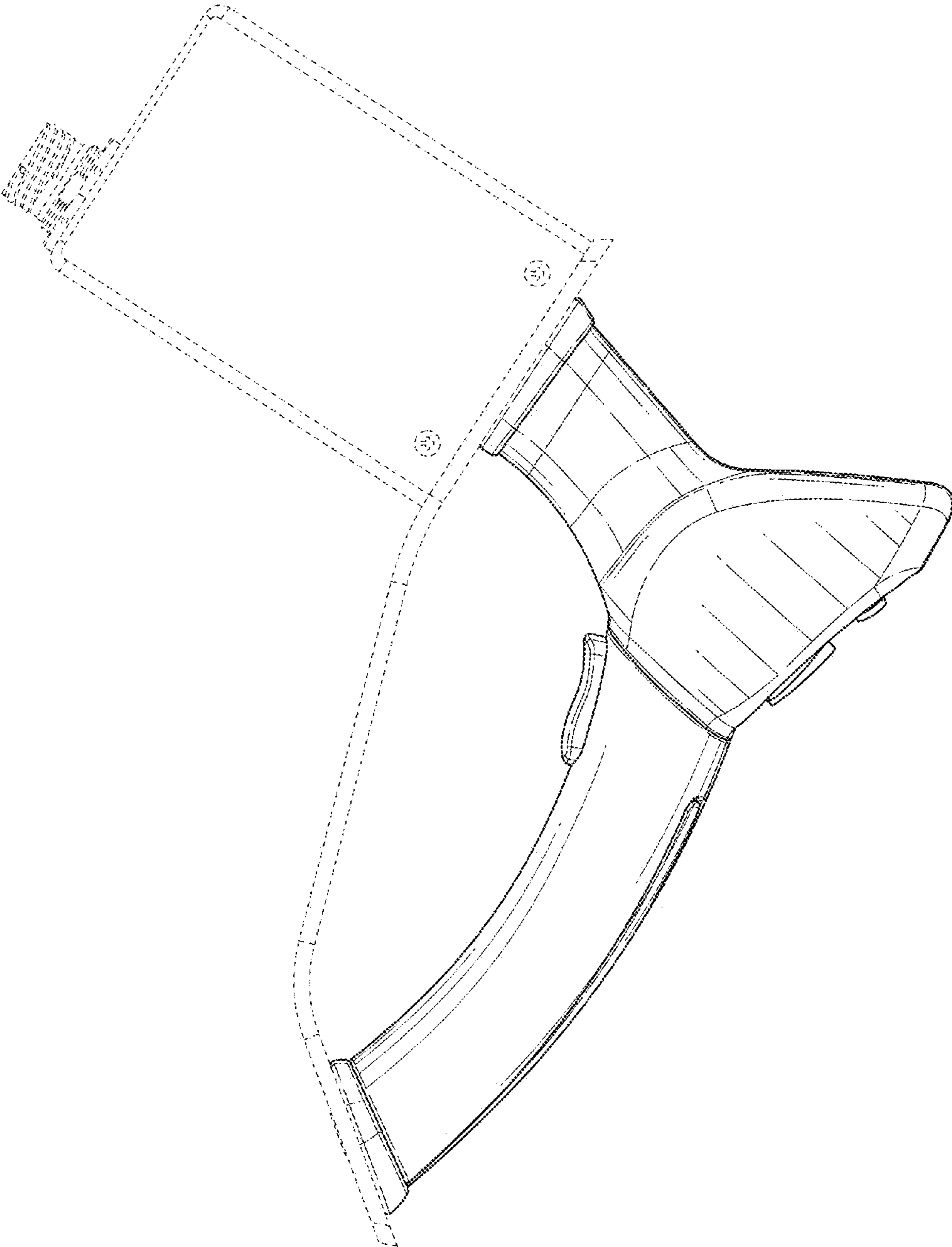


FIG. 3

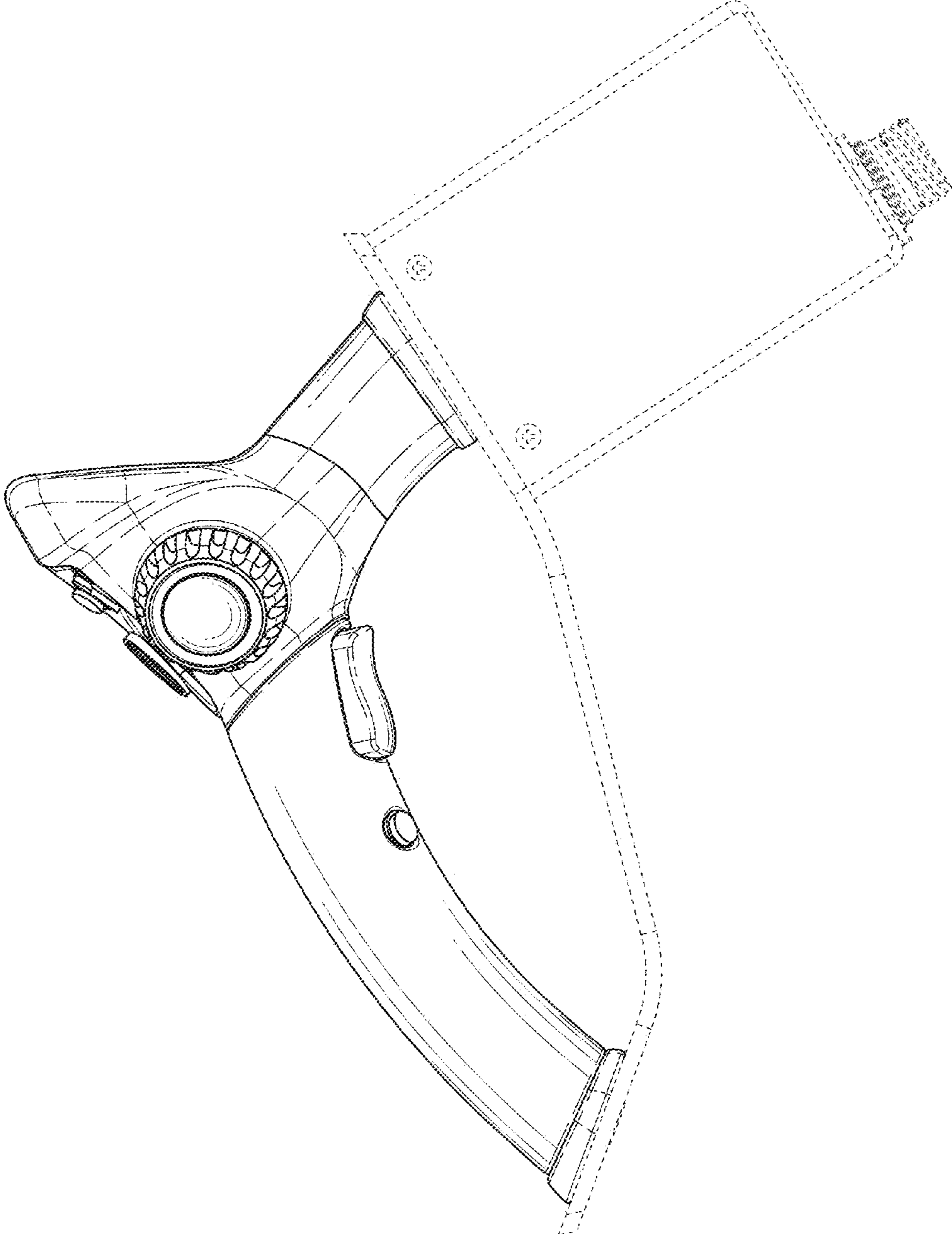


FIG. 4

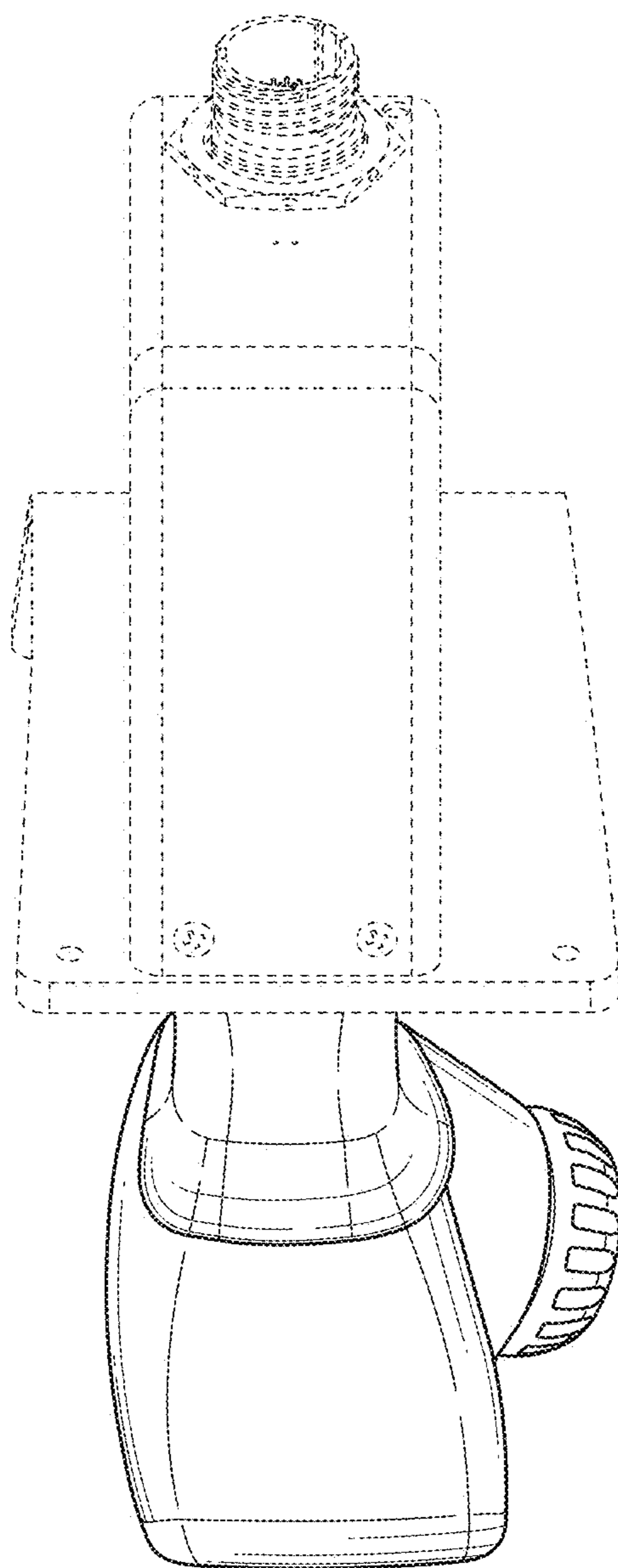


FIG. 5

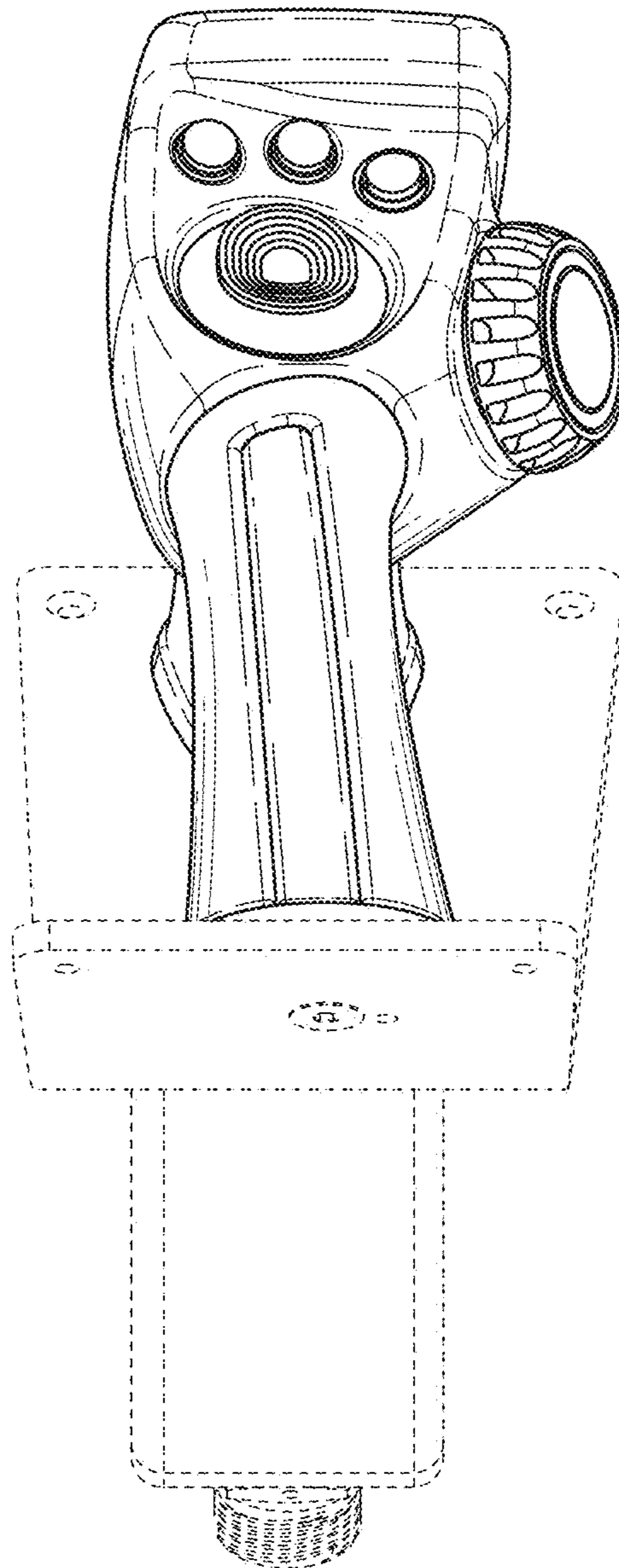


FIG. 6