



US00D751023S

(12) **United States Design Patent**
Hennen

(10) **Patent No.:** **US D751,023 S**
(45) **Date of Patent:** **** Mar. 8, 2016**

(54) **FUEL TANK**

(71) Applicant: **Nicholas Hennen**, Garfield, MN (US)

(72) Inventor: **Nicholas Hennen**, Garfield, MN (US)

(**) Term: **14 Years**

(21) Appl. No.: **29/489,957**

(22) Filed: **May 5, 2014**

(51) **LOC (10) Cl.** **12-06**

(52) **U.S. Cl.**
USPC **D12/218**

(58) **Field of Classification Search**
USPC D12/110, 197, 218, 223; D9/435-454;
180/69.4, 219, 225; 220/4.14, 86.2,
220/288, 560.04, DIG. 33; 280/833-835
CPC B60K 15/03; B60K 15/07; B62J 35/00;
B62K 11/00; B62K 11/04
See application file for complete search history.

(56) **References Cited**

U.S. PATENT DOCUMENTS

D208,539 S * 9/1967 Miller D12/218
D238,940 S * 2/1976 Graeper D12/218

D238,941 S * 2/1976 Graeper D12/218
D324,138 S * 2/1992 Labonte D23/202
D372,454 S * 8/1996 Murray, Sr. D12/414.1
6,715,626 B2 * 4/2004 Balzer et al. 220/4.14
D556,094 S * 11/2007 May D12/126
D644,161 S * 8/2011 Fries et al. D12/218
D700,272 S * 2/2014 McIntosh et al. D23/202
D702,320 S * 4/2014 Pifer D23/233
D717,721 S * 11/2014 Guaresimo et al. D12/414
D721,788 S * 1/2015 Pifer D23/233

* cited by examiner

Primary Examiner — Philip S Hyder

Assistant Examiner — Darlington Ly

(74) *Attorney, Agent, or Firm* — Patterson Thunte Pedersen, P.A.

(57) **CLAIM**

I claim the ornamental design for a fuel tank, as shown and described.

DESCRIPTION

FIG. 1 is a perspective view of a fuel tank according to the invention;
FIG. 2 is a top plan view thereof;
FIG. 3 is a side plan view thereof;
FIG. 4 is a bottom plan view thereof; and,
FIG. 5 is a rear plan view thereof.

1 Claim, 5 Drawing Sheets

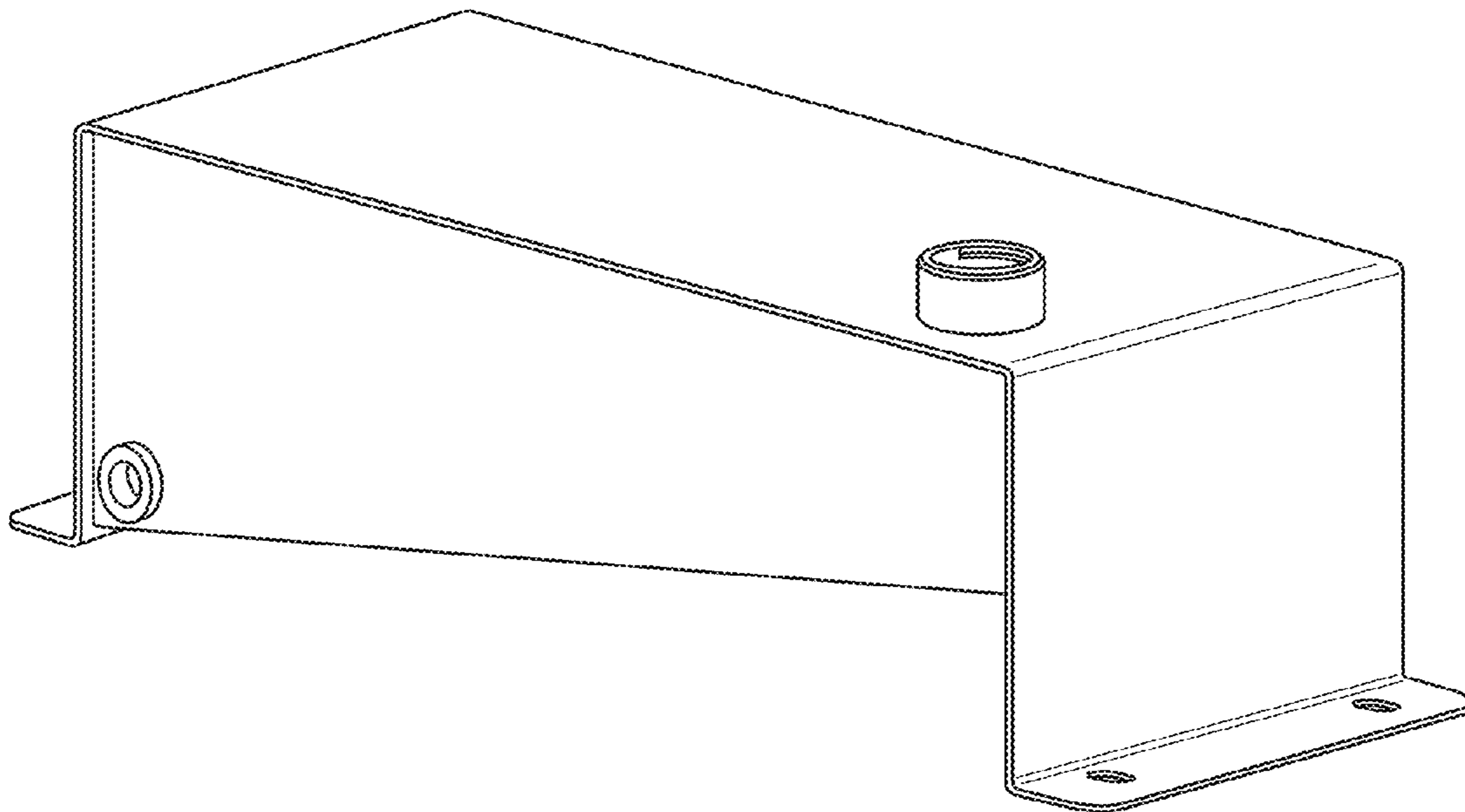


Fig. 1

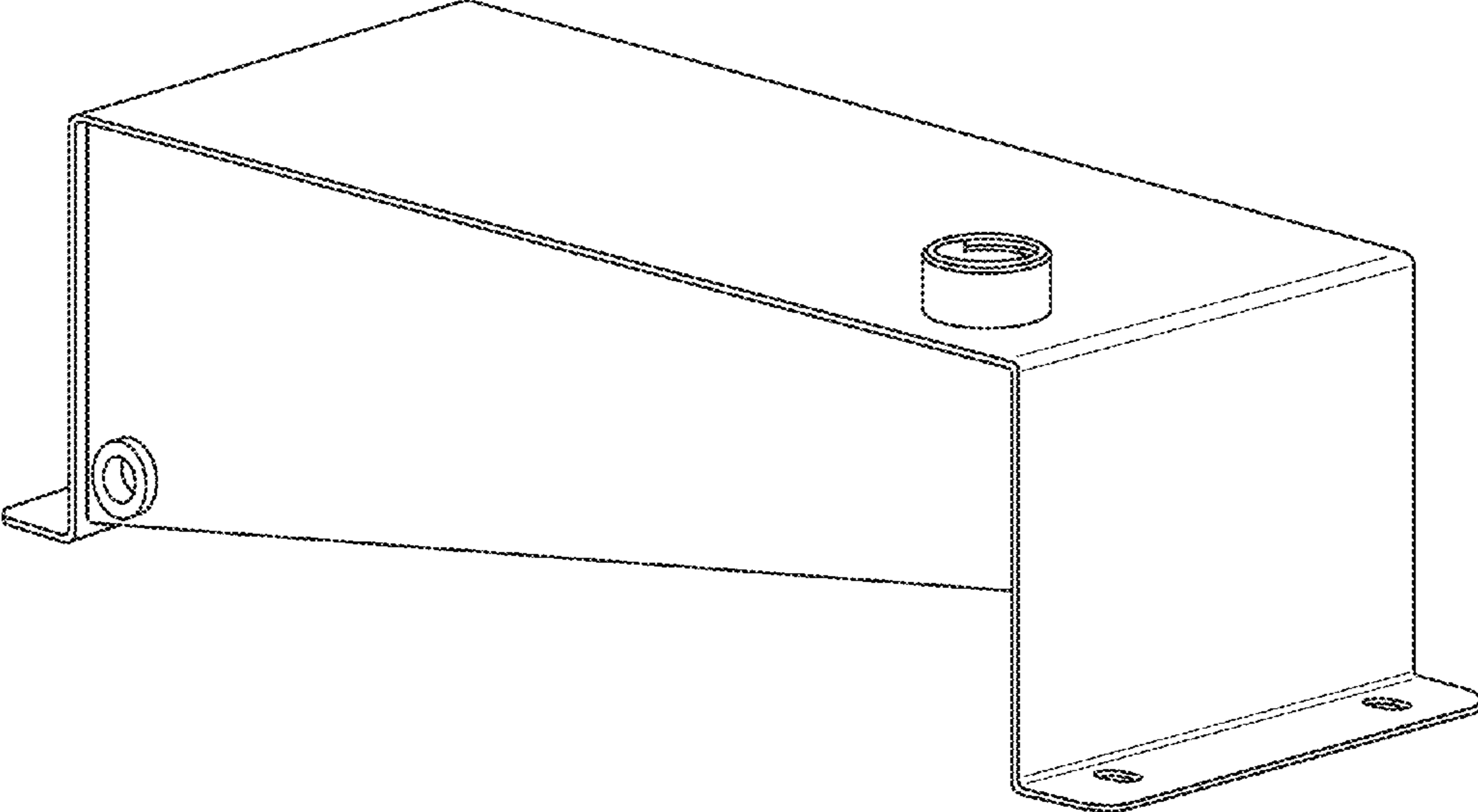


Fig. 2

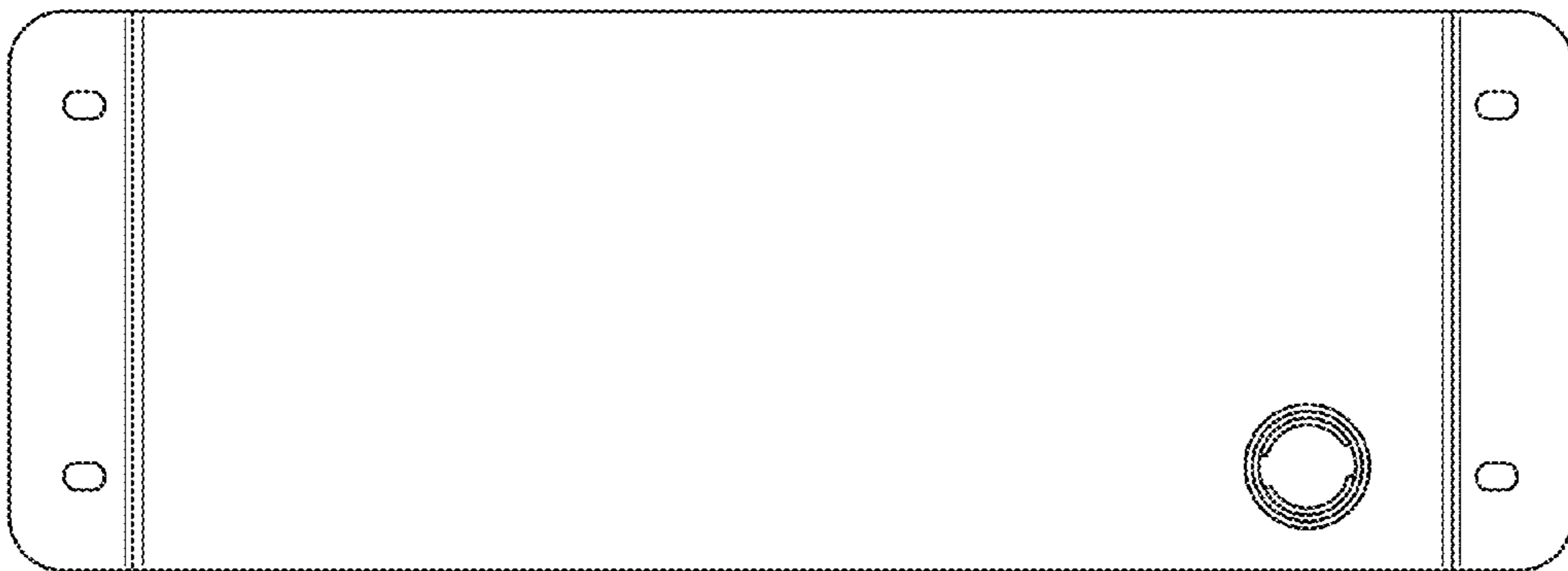


Fig. 3

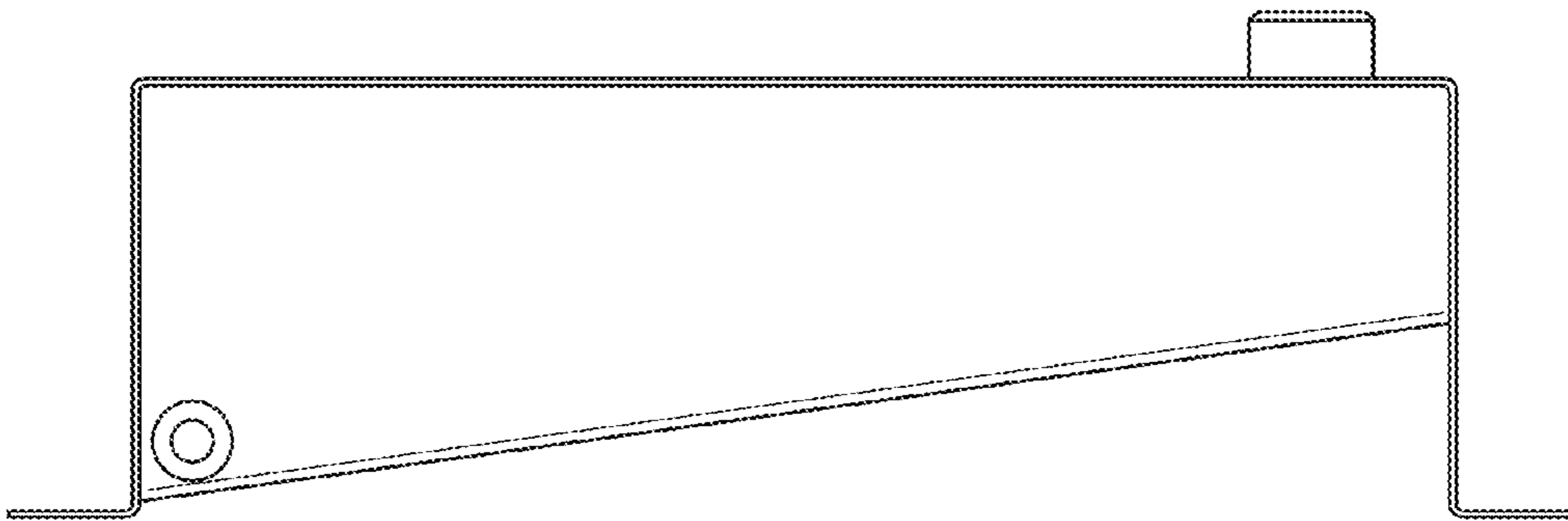


Fig. 4

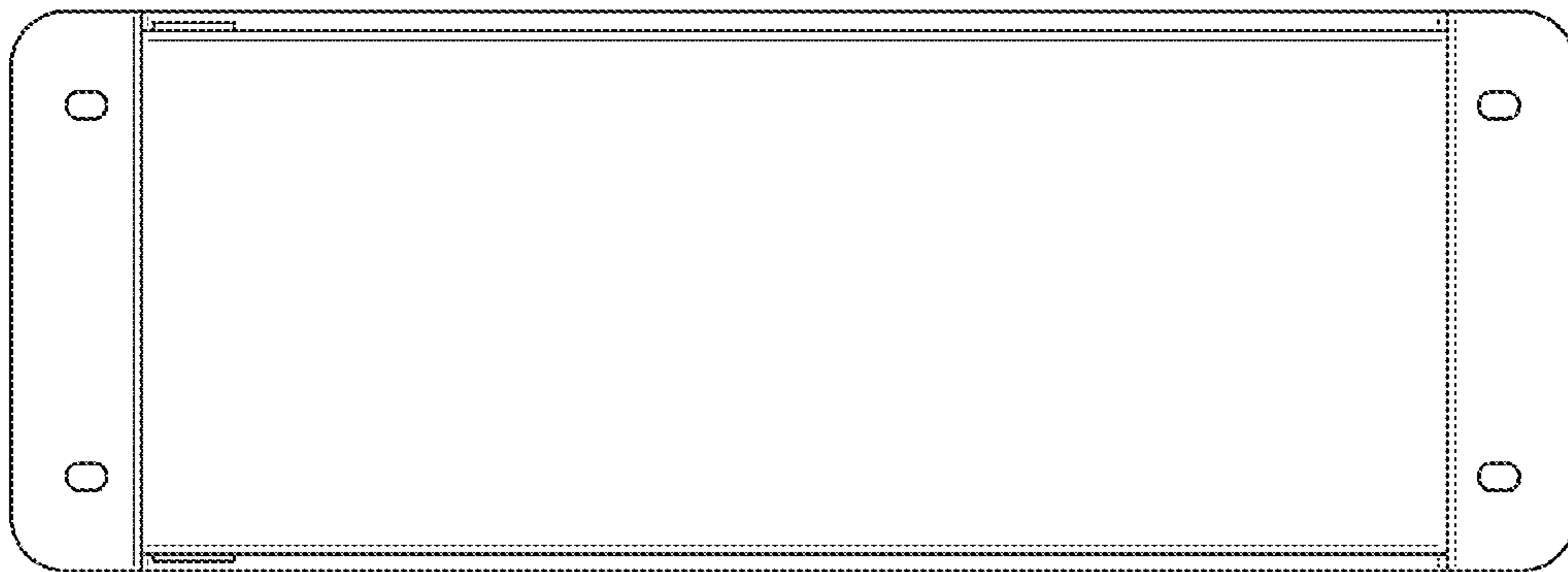


Fig. 5

